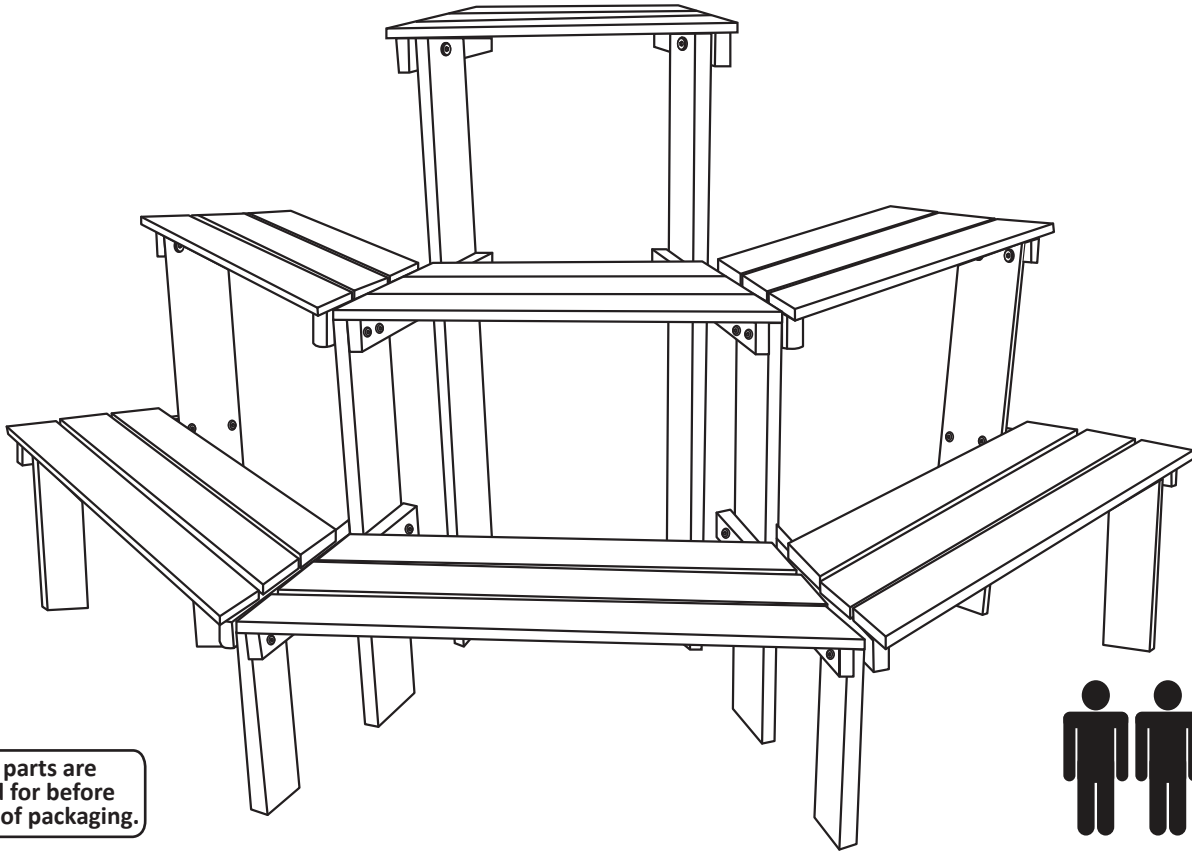



TRI-TIER STAIR STYLE PLANT STAND


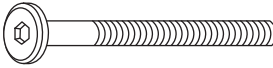
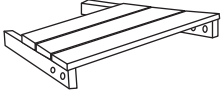
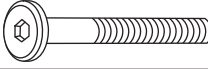
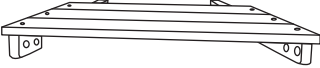
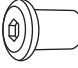
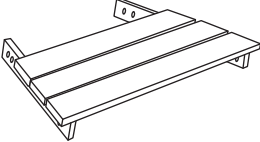






LAM-669

Read all assembly and care instructions carefully before using this product. Save this manual for future reference.
Assemble components on a soft, clean surface to avoid damaging the finish.



 Ensure all parts are accounted for before disposing of packaging.

 2-PERSON ASSEMBLY RECOMMENDED

PARTS				HARDWARE			
NO.			QTY.	NO.			QTY.
A		Top Shelf	1	H		JCBC 50mm Bolt	10
B		Side Shelf	2	I		JCBC 35mm Bolt	16
C		Center Shelf	1	J		Joint Connector Nut	26
D		Bottom Shelf	3	K		Hex Key	2
E		Top Tier Leg	2	<div style="text-align: center;">  WARNING  </div> <p>CHOKING HAZARD — This item contains small parts that can be swallowed. Keep children away during assembly.</p>			
F		Middle Tier Leg	4				
G		Bottom Tier Leg	4				

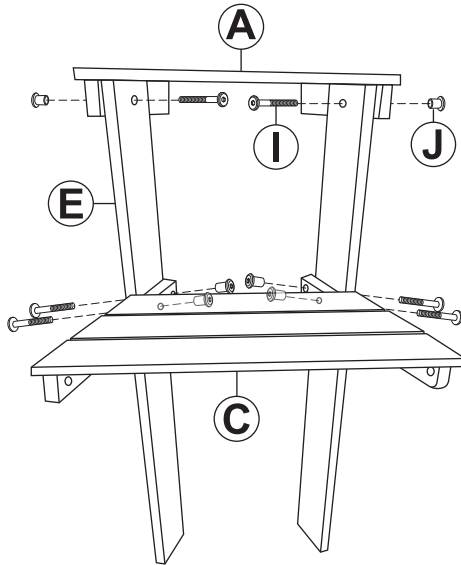
ASSEMBLY

Read carefully and understand assembly before beginning.

Do not fully tighten any hardware all until all components have been assembled.

STEP 1

- A: 1
- C: 1
- E: 2
- I: 6
- J: 6

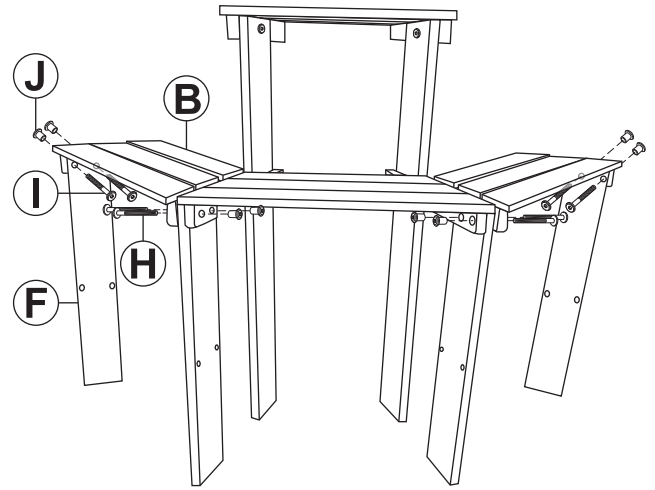


Fasten 2x Top Tier Legs (E) to the inside of Top Shelf (A) by hand-tightening 2x JCBC 35mm Bolts (I) and 2x Joint Connector Nuts (J).

Attach Center Shelf (C) to the inside middle of top shelf legs using 4x JCBC 35mm Bolts (I) and 4x Joint Connector Nuts (J).

STEP 2

- B: 2
- F: 4
- H: 4
- I: 4
- J: 8



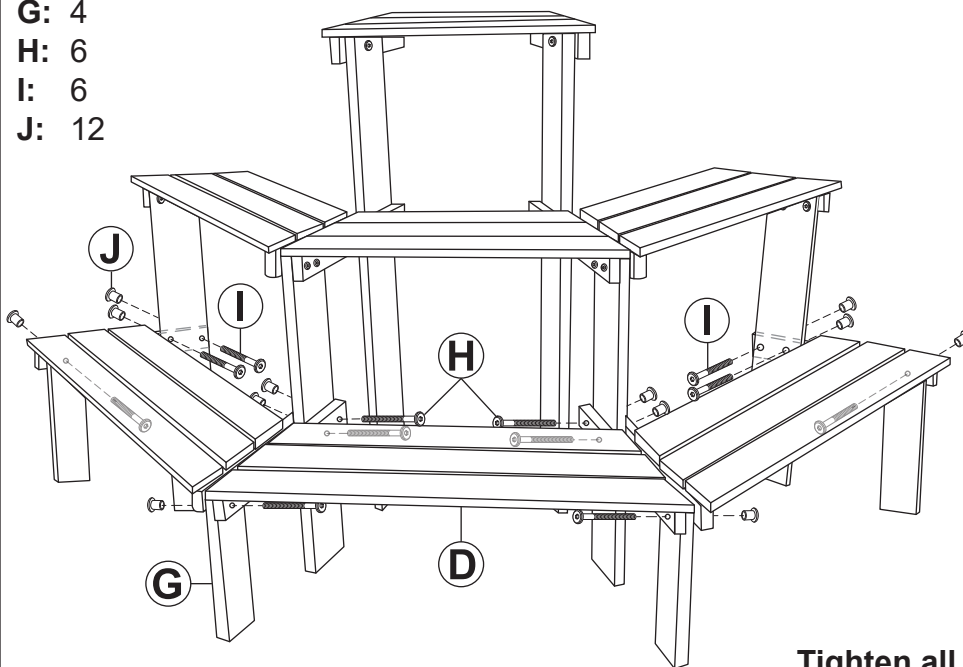
Attach Middle Tier Leg (F) to the inside of the outer edge of Side Shelf (B) using 2x JCBC 35mm Bolts (I) and 2x Joint Connector Nuts (J).

Fasten the side shelf and Middle Tier Leg (F) to the left side of the middle shelf by hand-tightening 2x JCBC 50mm Bolts (H) and 2x Joint Connector Nuts (J).

Repeat this step to secure the remaining middle tier components to the right side.

STEP 3

- D: 3
- G: 4
- H: 6
- I: 6
- J: 12



Align Bottom Tier Leg (G) with the front, left, inside edge of Bottom Shelf (D). Loosely secure by hand-tightening 1x JCBC 35mm Bolt (I) and 1x Joint Connector Nut (J).

Connect the bottom shelf to the outside of the left-most middle tier leg using 2x JCBC 35mm Bolts (I) and 2x Joint Connector Nuts (J).

Align the second Bottom Shelf (D) between the center-most middle tier legs. Use 2x JCBC 50mm Bolts (H) and 2x Joint Connector Nuts (J) to secure the left side of both shelves to the middle tier leg.

Slide the second Bottom Tier Leg (G) between the assembled shelves and secure using 1x JCBC 35mm Bolt (I) and 1x Joint Connector Nut (J).

Repeat this step to secure the remaining bottom tier components to the right side.

Tighten all hardware after this step is complete.

General Use & Care

INSPECT: Periodically check assembly points and tighten fittings as necessary.

PROTECT: Ensure there is a barrier, such as saucers or water trays, between planters and the wood. Runoff from over-watering could stain the wood.

WINTER CARE & STORAGE: Protect this item from ice and snow. Store in a dry, indoor location. Covering the unit while in storage will help prevent dust buildup.

MAINTENANCE: This item was treated with teak oil at the factory. To maintain the appearance, apply a suitable penetrating Wood, Teak or Linseed Oil (not included) yearly, or when the wood looks particularly dry. Clean the unit and bring into a warm, indoors location. Allow the unit to thoroughly dry before applying oil; drying may take several days. Only apply oil to wooden surfaces. Use a soft cloth or soft brush and carefully apply oil as directed by the wood oil manufacturer.

WARNING: THE ONE-YEAR WARRANTY DOES NOT COVER DAMAGES OR DEFECTS CAUSED BY THE APPLICATION OF CHEMICAL TREATMENTS OR PROTECTIVE COATINGS.

Cleaning

Do not use harsh chemicals or abrasive materials to clean the furniture.

 **HAND-WASH ONLY**

 **DO NOT USE BLEACH**

 **DO NOT USE A PRESSURE WASHER**

Identify the direction of the woodgrain. Following the direction of the woodgrain, use a soft cloth or a soft-bristled brush, like a paintbrush, to remove loose dust, dirt and debris.

SAFETY STATEMENTS & WARNINGS

- Do not overload the shelves.
- Do not sit or stand on any part of this unit.
- Do not allow children to climb on the unit as the unit to tip or break which could lead to serious injury.
- Keep unit a safe distance from heat sources such as fire pits, patio heaters, and grills.
- Do not use harsh chemicals or abrasive materials to clean the wood.

Any modification to the product or failure to follow recommended care will void the product warranty.

WARNING:

Manufacturer and seller expressly disclaim any and all liability from personal injury, property damage or loss, whether direct or indirect, or incidental, resulting from the incorrect attachment, improper use, inadequate maintenance, or neglect of this product.