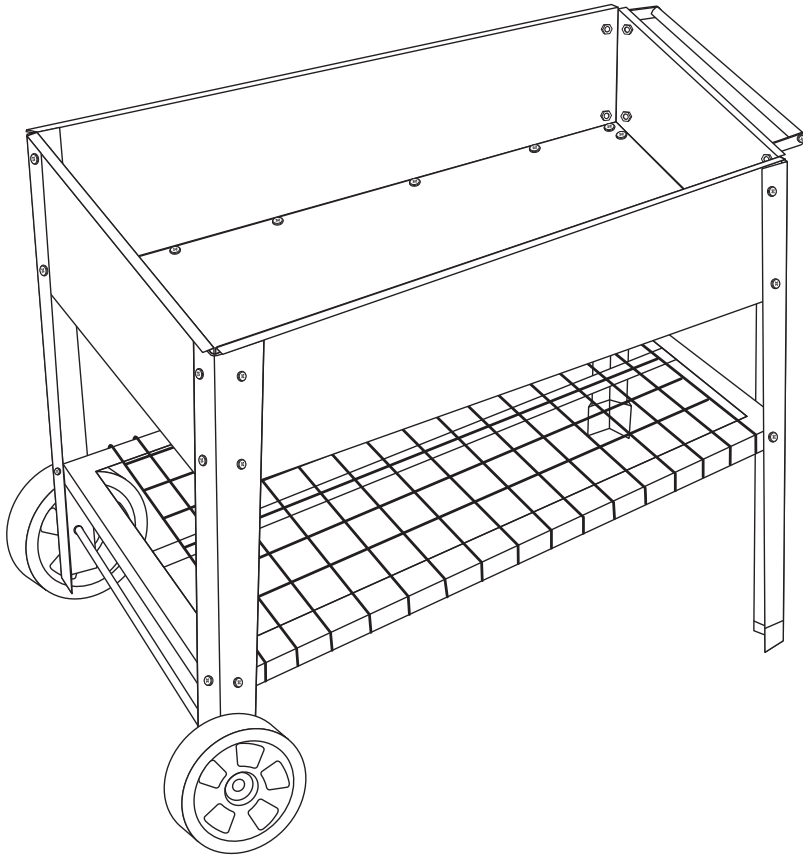


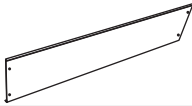
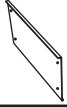

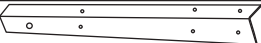




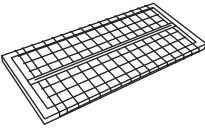



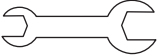
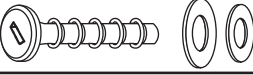

Thank you for choosing Sunnydaze Decor. We stand behind our brand and the quality of the items we sell. Replacement parts or products will be sent at our discretion within the 1-year warranty period. Proof of purchase, with the date of purchase as well as photos of the merchandise defect, must be provided. Photos are used to determine the cause of defects and for future quality control. Register your warranty at <https://tiny.cc/SunnydazeWarranty>. If you have any questions, comments or concerns, feel free to contact us by phone at 833-982-1977, by email: [customerservice@sunnydazedecor.com](mailto:customerservice@sunnydazedecor.com), or via our contact us page at <https://tiny.cc/SunnydazeContact>

# STEEL RAISED GARDEN BED CART

Read the assembly instructions carefully and follow the care instructions. Save this document for future reference.  
**Assemble components on a soft, clean surface to avoid scratching or damaging any surfaces.**



Inspect packaging to ensure all parts are accounted for before disposing of packing materials.

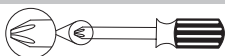
No.	PARTS	QTY.
A	 Side Panel	2
B	 End Panel	2
C	 Bed Panel	1
D	 Wheel Leg	2
E	 Handle Leg	2
F	 Wheel	2
G	 Washer	2
H	 Cotter Pin	2
I	 Shelf	1
J	 Handle Bracket	2
K	 Handle	1
L	 Shaft	1
M	 Spanner	1
N	 Handle Hardware	2
O	 Bolt Set	40

## ! HELPFUL HINT

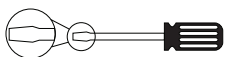
Sunnydaze Decor advises reading this manual fully, and assembling the item soon after purchase. Check that all parts are accounted for and familiarize yourself with the assembly before beginning.

Save this manual for future reference.

### TOOLS REQUIRED (not included)



Phillips Screwdriver



Regular Screwdriver

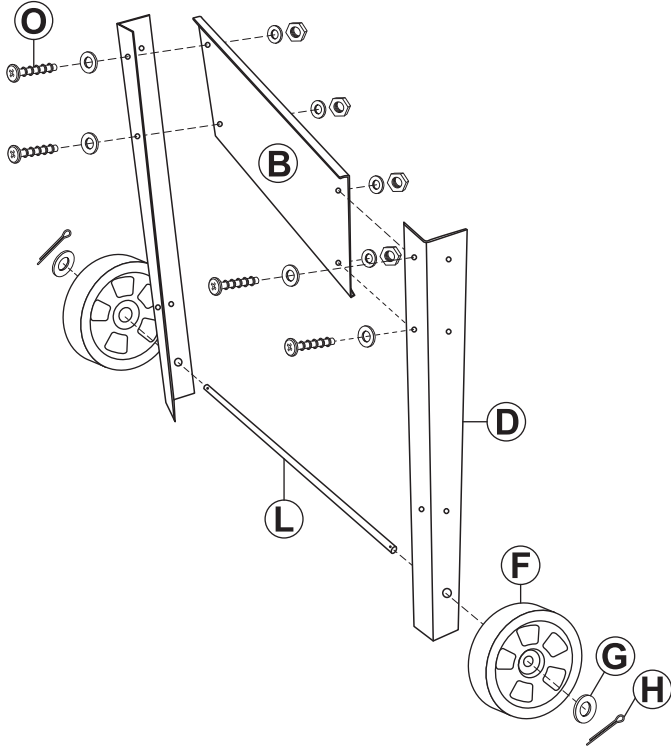
## ! WARNING !

**CHOKING HAZARD** — This item contains small parts that can be swallowed by children. Keep children away during assembly.

# ASSEMBLY

## STEP 1

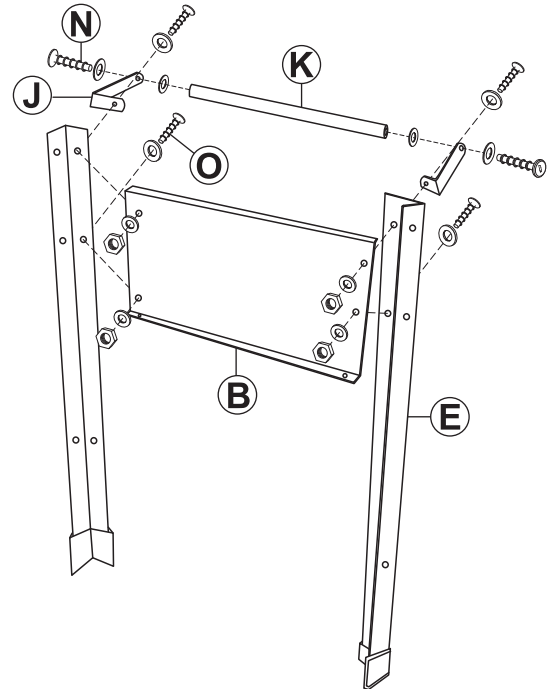
- B: 1
- D: 2
- F: 2
- G: 2
- H: 2
- L: 1
- O: 4



Do not fully tighten hardware until step 5 is complete.

## STEP 2

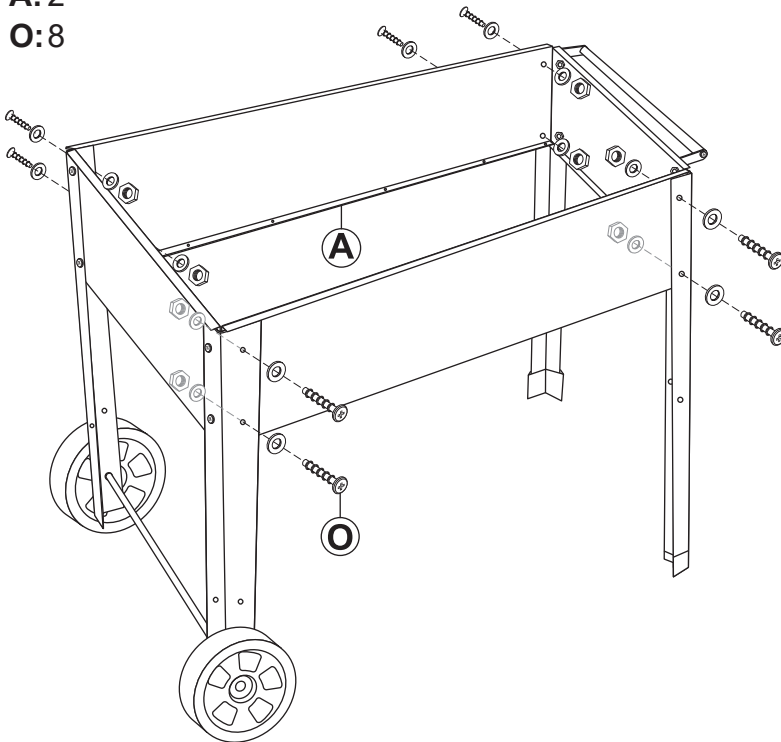
- B: 1
- E: 2
- J: 2
- K: 1
- N: 2
- O: 4



Do not fully tighten hardware until step 5 is complete.

## STEP 3

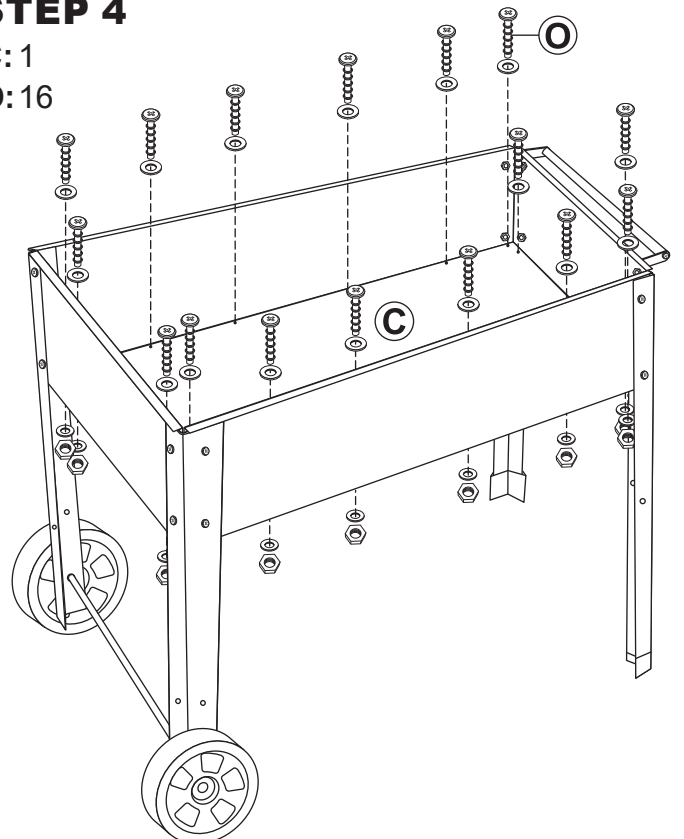
- A: 2
- O: 8



Do not fully tighten hardware until step 5 is complete.

## STEP 4

- C: 1
- O: 16

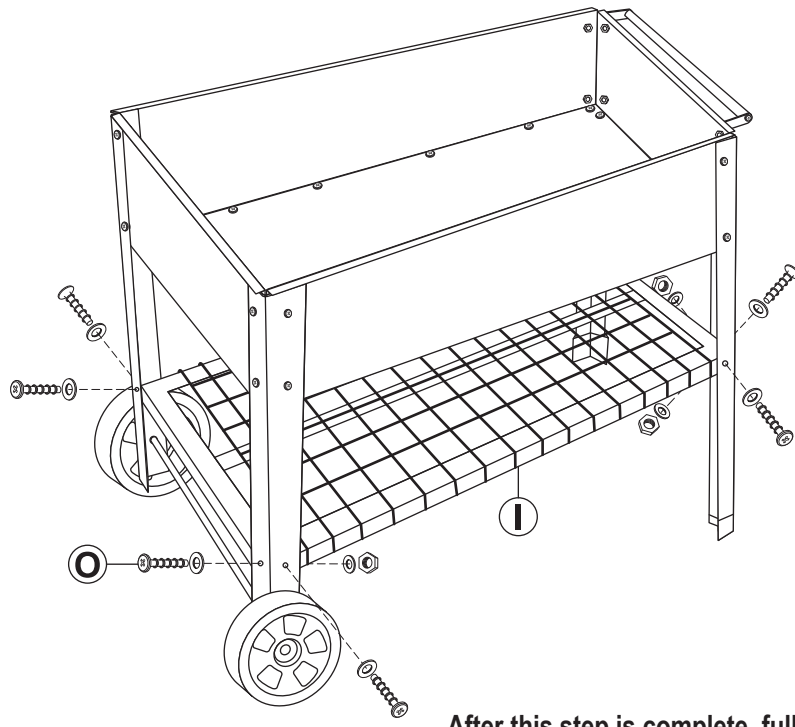


Do not fully tighten hardware until step 5 is complete.

## STEP 5

I: 1

O:8



After this step is complete, fully tighten all hardware on the entire unit.

# Care & Maintenance

**LEVEL SURFACE:** Select a flat, level surface to place this item before filling and using it.

**INSPECT:** Periodically check all nuts and bolts and tighten as necessary.

**MOVING:** Use caution if moving the unit while it is full; ensure the handle is tightly secured, then lift to use the wheels and slowly push to move the garden bed cart to the desired location. Do not drag the garden bed as doing so may weaken assembly points and could cause breakage.

**CLEANING:** Wipe surfaces with a soft cloth.

**SCRATCHES:** The powder coating is tough and durable but even under normal use, some scratching is inevitable. To prevent rust, wipe scratched areas to remove moisture. Scratches can be repaired with a rust-resistant paint. **NOTE:** painting will void the product warranty.

**STORAGE:** Maintain the appearance and prevent damage by emptying and storing this item indoors when not in use.

## ! HELPFUL HINT

Lining the planter box with landscaping fabric is recommended.

Lining the planter box can help insulate the soil against extreme temperatures, help retain soil moisture, prevent soil from escaping through the bottom, and could help maintain the overall appearance of the garden bed.

Any modification to the product or failure to follow recommended care will void the product warranty.

## ! WARNING!

Manufacturer and seller expressly disclaim any and all liability from personal injury, property damage or loss, whether direct or indirect, or incidental, resulting from the incorrect attachment, improper use, inadequate maintenance, or neglect of this product.