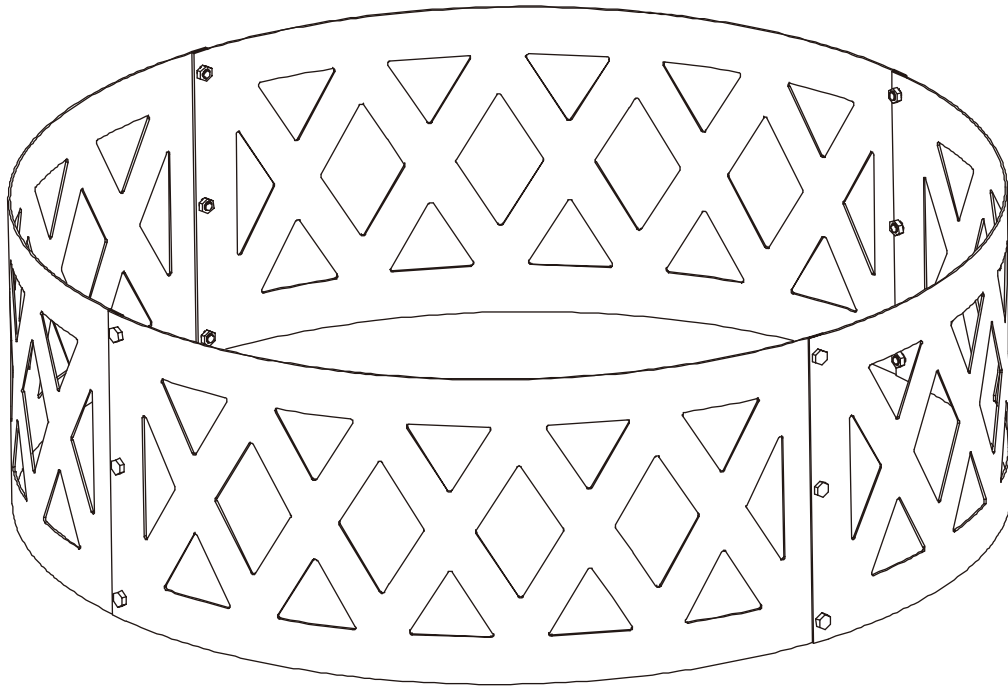




36" LATTICE CAMPFIRE RING  
ITEM # 1719004  
MODEL # SR79TB-C  
Instructions Manual

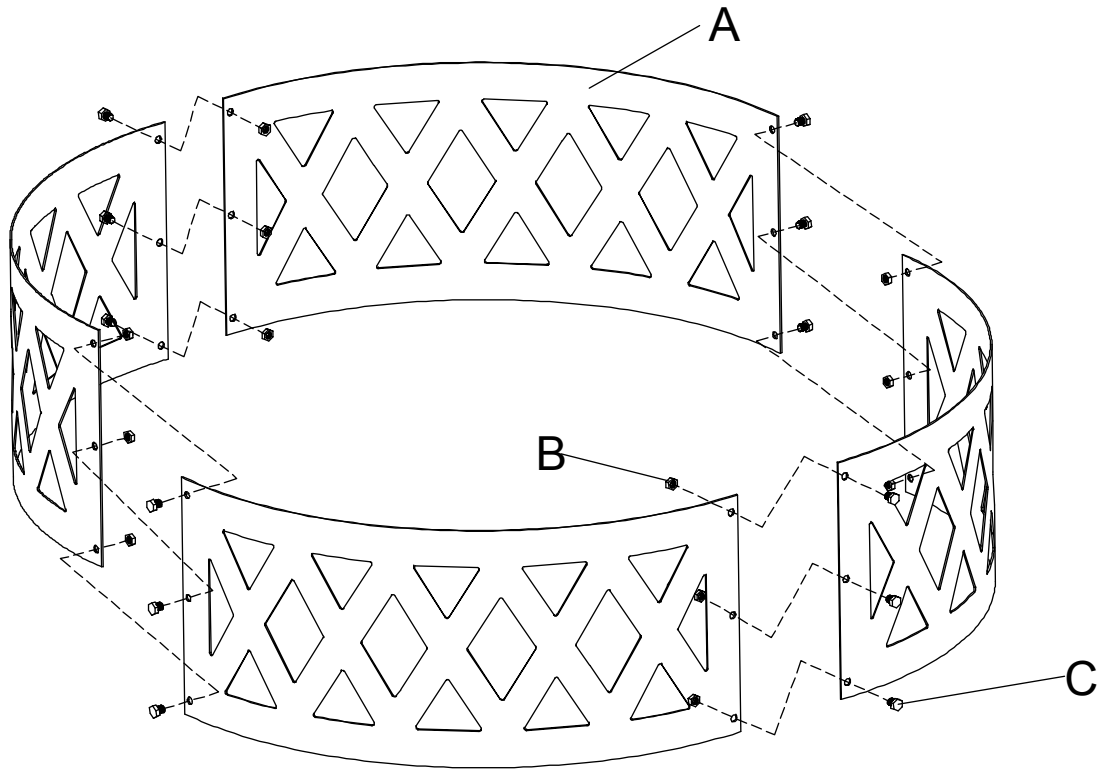
---



**Questions, problems, missing parts?** Before returning to your retailer, call our customer service department at 1-888-909-3888, 7:30 a.m. – 4:30 p.m., PST Monday - Friday. Or e-mail: [customerservice@shinerich.us](mailto:customerservice@shinerich.us).

## PACKAGE CONTENTS

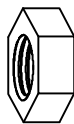
---



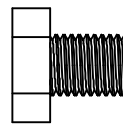
PART	DESCRIPTION	QUANTITY
A	Fire Ring Panel	4

## HARDWARE CONTENTS (shown actual size)

---



B: M8 nut  
Qty. 12



C: M8 x 10 mm bolt  
Qty. 12

## SAFETY INFORMATION

---

Please read and understand this entire manual before attempting to assemble, operate or install the product.

### WARNING:

- FOR OUTDOOR USE ONLY.
- Do not use the fire ring indoors. Carbon monoxide fumes, due to lack of ventilation, can cause death.
- Do not use gasoline or kerosene to start fires in the fire ring. Keep all flammable liquids away from the fire ring.
- This unit is designed to burn charcoal and untreated wood only.
- Do not use under or on combustible structures/surfaces including wooden decks.
- Use protective gloves and long-handled tools with this fire ring.
- Dispose of packaging materials properly.
- Keep children away from hot fire ring.
- Fire ring remains very hot for a period of time after using.
- Be sure fire ring is cool before attempting to move it.
- The fire ring should be placed no closer than 24 in. from walls during use.

**CAUTION:** Assemble the fire ring on a non-abrasive surface.

### WARNING:

This product can expose you to chemicals including soot, which is known in the State of California to cause cancer, and carbon monoxide, which is known to the State of California to cause birth defects or other reproductive harm. For more information, go to: [www.P65Warnings.ca.gov](http://www.P65Warnings.ca.gov).

## PREPARATION

---

Before assembling product, make sure all parts are present. Compare parts with package contents list and hardware contents above. If any part is missing or damaged, do not attempt to assemble the product.

**Estimated Assembly Time: 5 minutes**

Tools required for assembly (not included): Adjustable Wrench

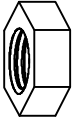
## ASSEMBLY INSTRUCTIONS

---

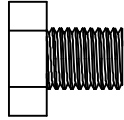
1. Remove M8 nuts (B) from M8 x 10 mm bolts (C). Connect the fire ring panels (A) with M8 x 10 mm bolts (C) and secure with M8 nuts (B).

### Hardware Used

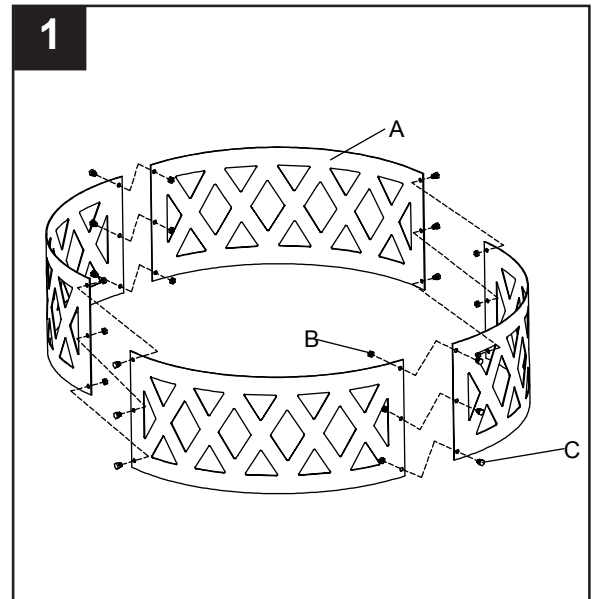
---



B: M8 nut x 12



C: M8 x 10 mm bolt x 12



## CARE AND MAINTENANCE

---

### Inspecting

Inspect this item on a regular basis to ensure product safety and longer product life. DO NOT attempt to inspect this item until the fire is COMPLETELY out and cooled down.

- Check components for any signs of damage or rust.
- If any component is damaged, do not use until repairs are made.

### Cleaning

Clean this item on a regular basis to promote safer use and longer product life.

Note: After repeated use, the finish may discolor slightly.

DO NOT attempt to clean this item until the fire is COMPLETELY out and cooled down.

DO NOT use oven cleaner or abrasive cleaners as they will damage this product.

DO NOT clean any part of this item in a self-cleaning oven as it may damage this finish.

- Wipe exterior surfaces with a mild dishwashing detergent or baking soda.
- For stubborn surfaces use a citrus-based degreaser and a nylon scrubbing brush.
- Rinse clean with water.
- Remove built-up creosote from components with a chimney cleaning product.

### Storage

DO NOT move or store this item until the fire is COMPLETELY out and cooled down.

- Once the fire is out, coals are cold and item is cool to touch, remove ashes and properly dispose.
- Store in a location away from children and pets.

Note: If you do not use a cover, store this item in a dry location to maximize product life.

## **ONE-YEAR LIMITED WARRANTY**

---

The item has been manufactured under the highest standards of quality and workmanship. We warrant to the original consumer/purchaser that all aspects of this product will be free of defects in material and workmanship for one (1) year from the date of purchase. A replacement for any defective part will be supplied free of charge for installation by the consumer. Defects or damage caused by the use of other than genuine parts are not covered by this warranty. This warranty shall be effective from the date of purchase as shown in the purchaser's receipt.

This warranty is valid for the original consumer/purchaser only and excludes industrial, commercial or business use of the product, product damage due to shipment or failure which results from alteration, product abuse, or product misuse, whether performed by a contractor, service company, or consumer. We will not be responsible for labor charges and/or damage incurred in installation, repair or replacement, nor for incidental or consequential damage. This warranty gives you specific rights, and you may also have other rights that vary from state to state.