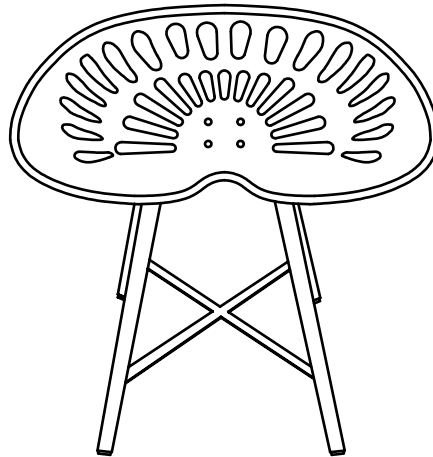










CAROLINA FORGE

Assembly Instructions
Item # 1832
TRACTOR SEAT FIRESIDE BENCH



Thank you for purchasing a Carolina Forge Company product. This product has been designed for easy assembly and is constructed for durability. Please take the time to read and follow the assembly instructions carefully. If a part or hardware is missing or you have any difficulties in assembling this product, please contact us Toll Free 1-800-228-3876 or email us at support@carolinachairandtable.com.

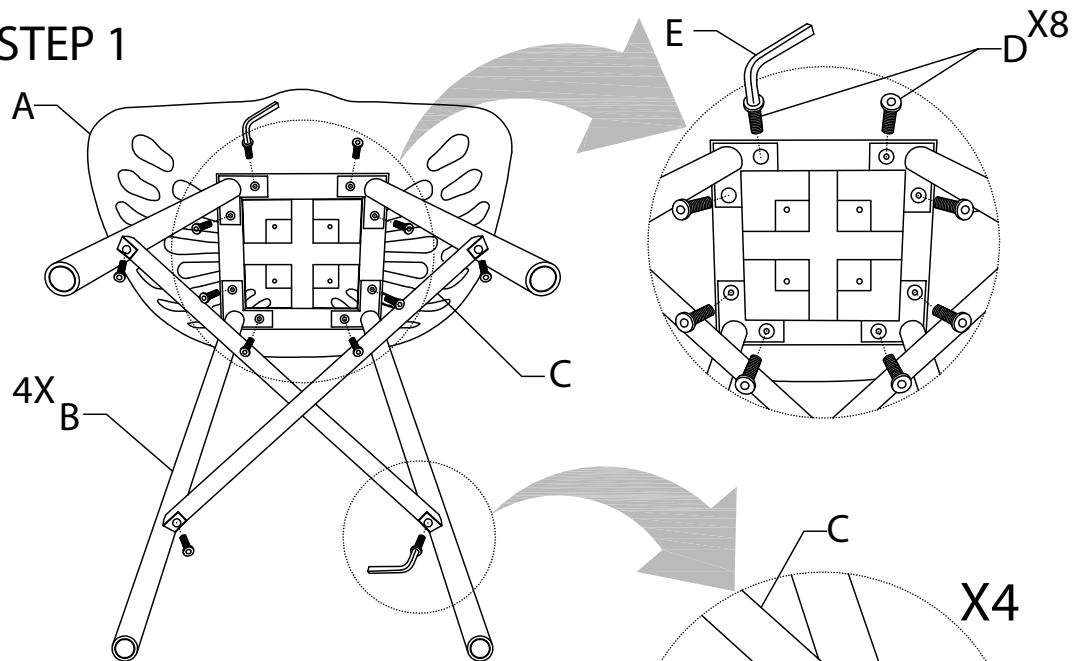
NO	PARTS	DESCRIPTION	QTY	NO	PARTS	DESCRIPTION	QTY
A		SEAT	1PC	D		BUTTON HEAD BOLT 6X12MM	12PC
B		LEG	4PC	E		ALLEN KEY 4MM	1PC
C		CROSS PIPE	1PC	F		LEVELLER 6X12X19MM	1PC



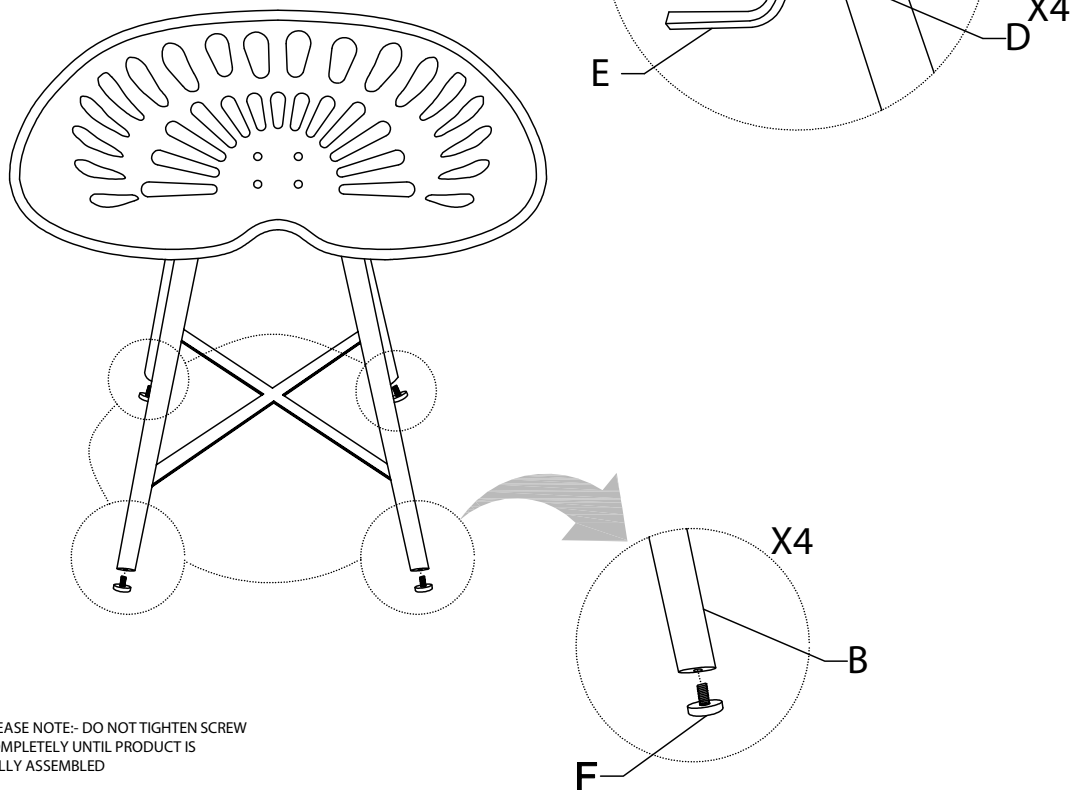
CAROLINA FORGE

Assembly Instructions Item # 1832 TRACTOR SEAT FIRESIDE BENCH

STEP 1



STEP 2



PLEASE NOTE:- DO NOT TIGHTEN SCREW
COMPLETELY UNTIL PRODUCT IS
FULLY ASSEMBLED