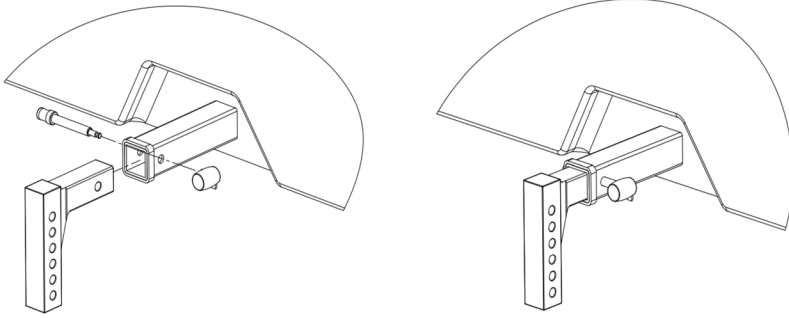


ATTENTION:

- Be aware and follow all listed gross trailer weight and tongue weight ratings and do not exceed towing ratings before and during use or serious injury and damage to your trailer/vehicle could occur.
- The maximum weight resting on the trailer tongue should be no more 10% of ball rating (if the ball is rated at 12,000 lbs. the tongue weight should not exceed 1,200 lbs.)
- Ensure all hitch locks are securely fastened during installation before towing

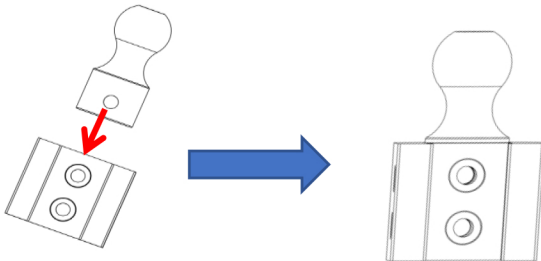
Step 1: Install Aluminum Drop Section to Hitch Receiver with Locking Hitch Pin. The two locking pins supplied are keyed alike and are exactly the same (This section can be inserted as a drop (as shown) or it can be reversed and used as a rise with no change in the towing weight ratings)



RATINGS AND TOWING CAPACITY
Max tongue weight: 1,200 lbs.
1-7/8" ball : 5,000 lb. GTWR
2" ball : 7,500 lb. GTWR
2-5/16" ball : 12,000 lb. GTWR
Independently tested to meet or exceed J684 towing standards

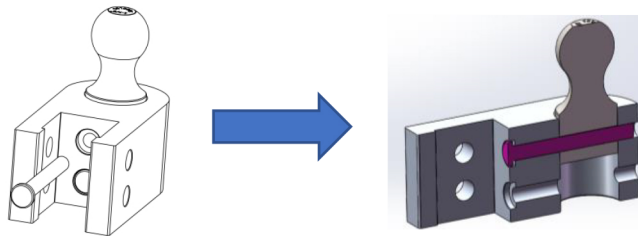
Step 2: Install hitch ball(s) to adjustable section. See pin assembly below.

Note: You can tow with one or both hitch balls installed.



a. Align the hitch ball hole with the center of the bracket hole

b. Insert the hitch ball securing pin completely through the center of the balls that you will be using until they are flush to the end of the adjustable section. The Aluma-Tow can be used with either one or two hitch-balls installed.



Step 3: After installing hitch balls to adjustable section. Slide the adjustable section onto the aluminum drop at desired height and secure with the locking hitch pin and standard hitch pin. ALWAYS use both pins to secure adjustable section to the drop.

