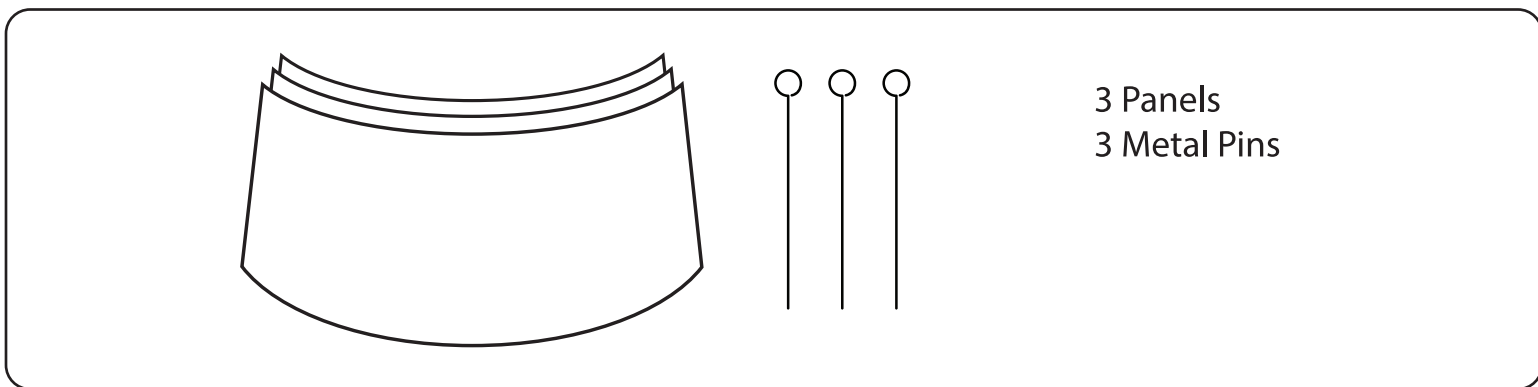


INSTRUCTION SHEET

LIST OF PARTS

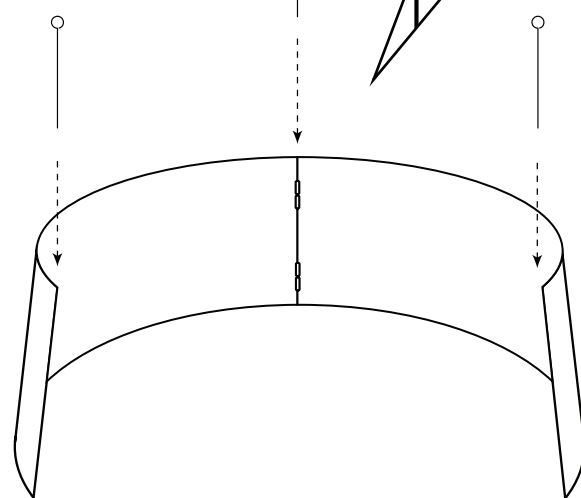
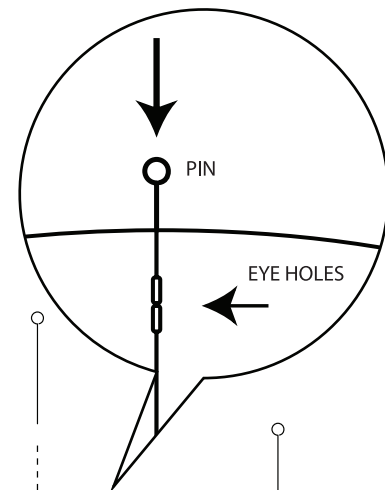


ASSEMBLY INSTRUCTIONS

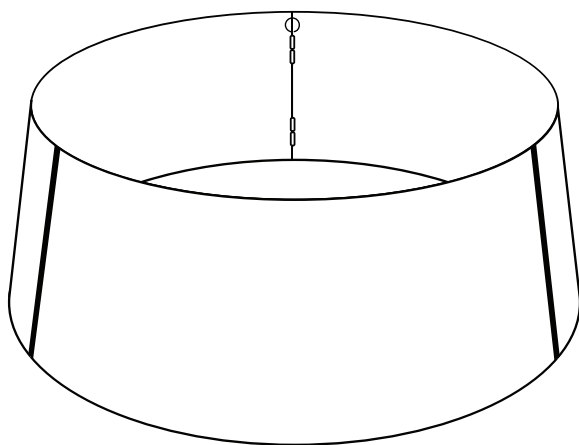
Note: These instructions are written as if this collar is being assembled around your tree that is already in place.

1. Take two panels, line them up side by side with eye-holes overlapping.
2. Insert locking pin top to bottom through eye-holes. (diagram A)
3. Place these two sections around tree.
4. Line up third section with the other two section completing the collar around the tree. Insert locking pins for both sides of this section.
5. Tree collar assembled. (diagram B)

A



B



STORAGE TIPS

- Keep original box for storage.
- Reverse assembly steps to break collar down after use.
- Place metal pins in original zip-lock bag or collar eye-holes.

11.00 in
28.0 cm

8.50 in
21.6 cm