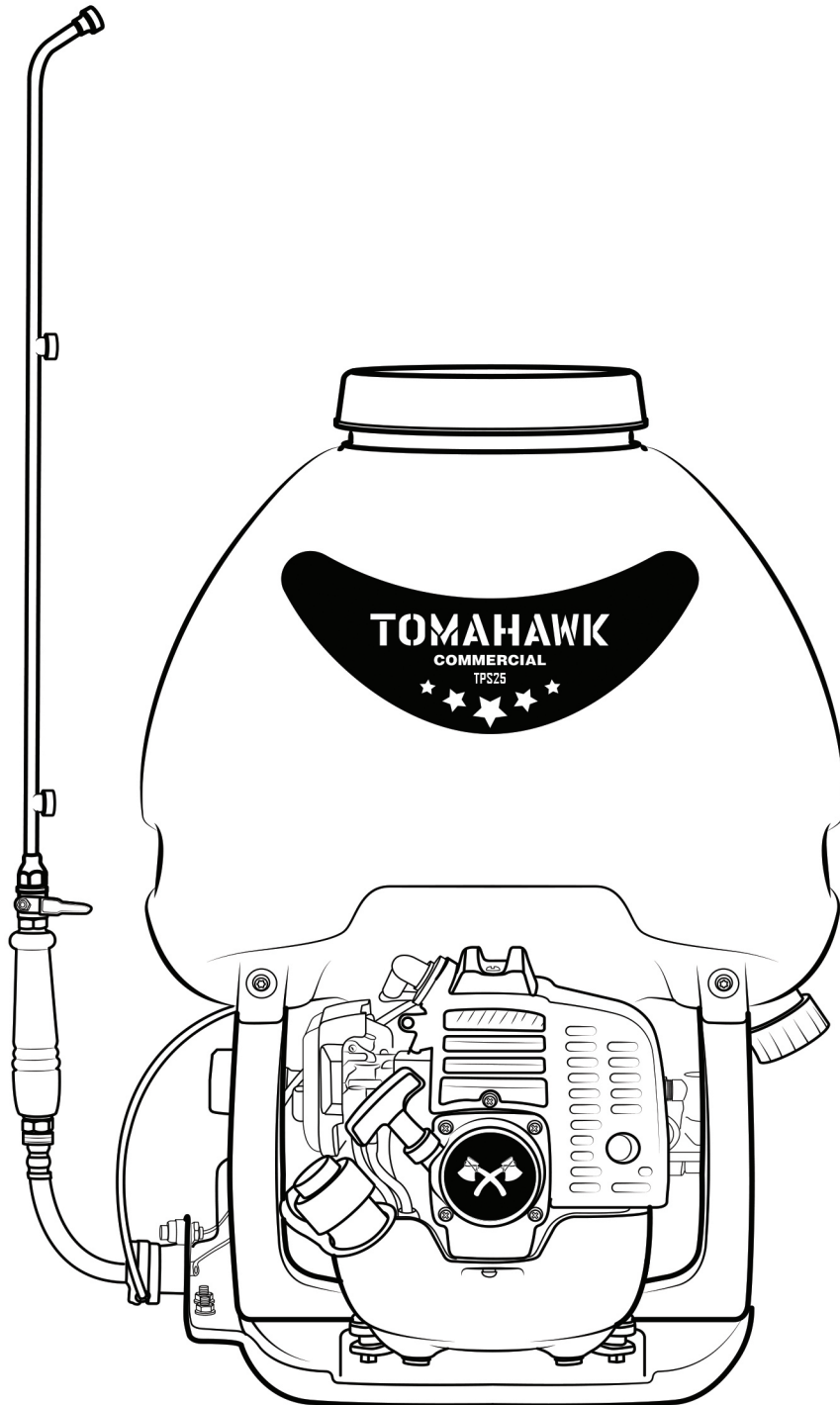
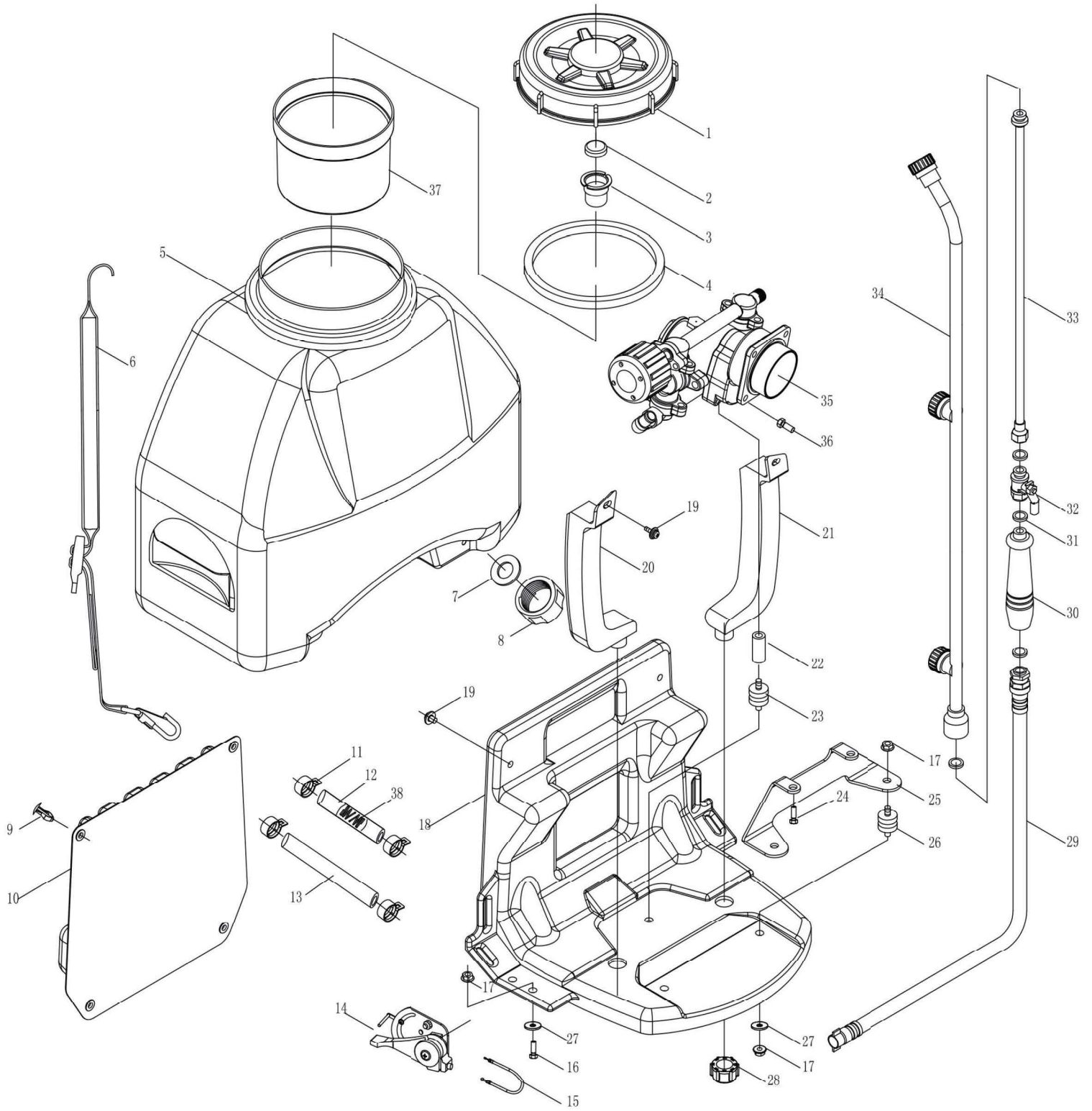


# TOMAHAWK

TPS25  
BACKPACK SPRAYER

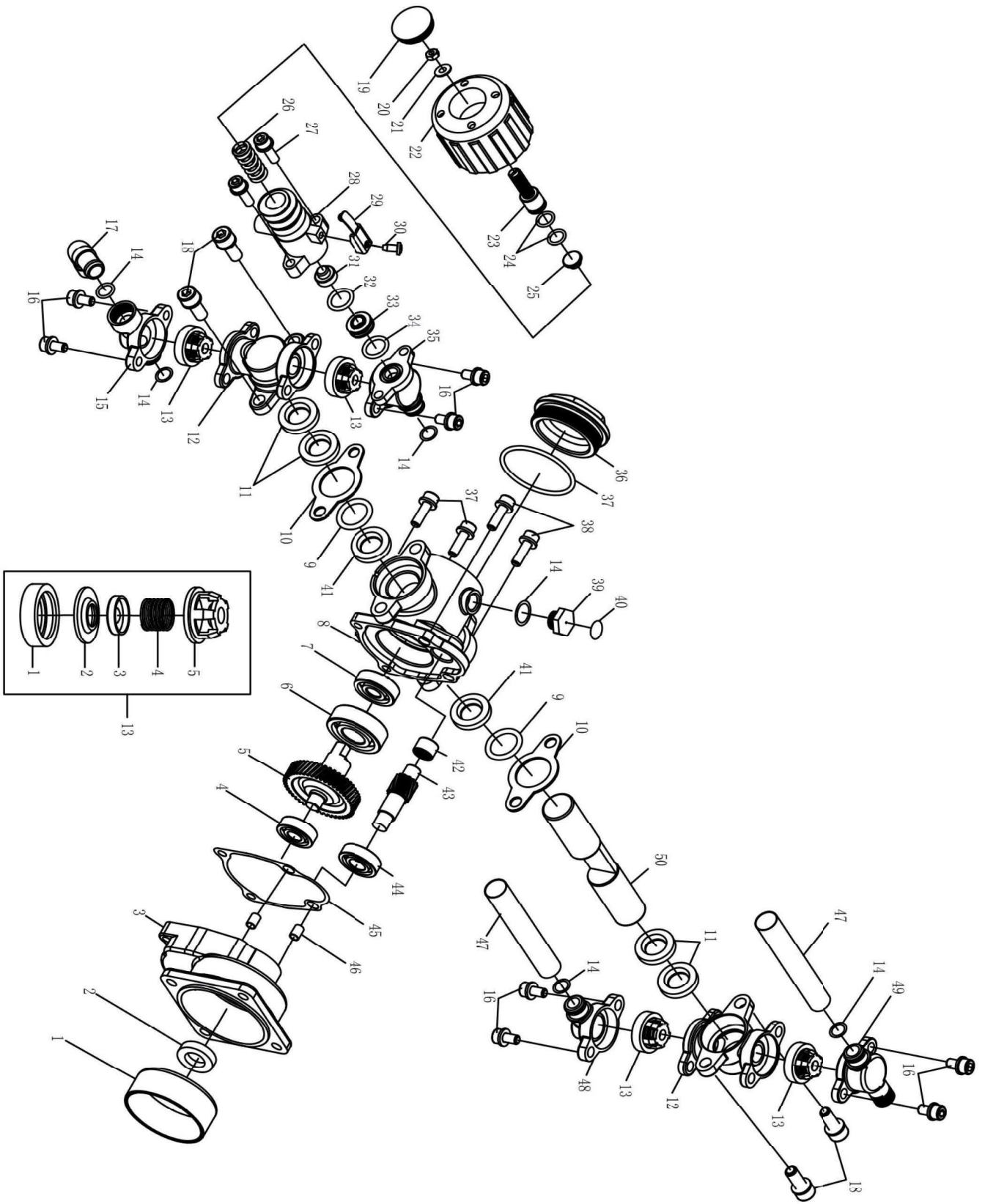
Parts Manual





NO.	Part NO.	Part Name	Qty.
1	3WZ-6.5.2-1	LID	1
2	3WZ-4.7.1-3	LID	1
3	3WZ-4.7.1-4	LID	1
4	3WF-8.1-1	SEALING WASHER	1
5	3WZ-6.5.1	CHEMICAL TANK	1
6	3WZ-9.2	BANDS ASSM	2
7	3WF-3A.1-2	SEALING WASHER	1
8	3WZ-6.5-1	LID	1
9	3WF-14-13	PLASTIC CLICK	4
10	3WZ-9.1	BACK DACK ASSM	1
11	QC/T621 Q673B15	CLIP	4
12	GB13527.1LS-10x2.5x140	TUBE	1
13	GB13527.1LS-10x2.5x340	TUBE	1
14	3WZ-9.5	SWITCH	1
15	3WZ-4C.3	FREL THROTTLE	1
16	GB/T29.2+GB/T96	SCREW ASSY M6x20	2
17	GB/T6177.1 M6	NUT M6	7
18	3WZ-6-4	FRAME	1
19	GB/T823+GB/T96	SCREW M6x12	4
20	3WZ-6-9	LEFT SUPPORT	1
21	3WZ-6-5	RIGHT SUPPORT	1
22	3WZ-9-1	SUPPORT MOUNT	1
23	3WZ-7B.2B	RUBBER MOUNT	1
24	GB70+GB93+GB97	SCREW ASSEM 5x20	2
25	3WZ-6F-1C	CONNECT PLATE	1
26	3WZ-6.1	RUBBER MOUNT	2
27	GB/T 96	WASHER 6	5
28	3WZ-6-2	PLASTIC NUT	2
29	3WZ-6.6	RUBBER TUBE ASSY	1
30	3WZ-4.11	HANDLE	1
31	3WZ-4-10	SEAL RING	4
32	3WZ-4.12	VALVE	1
33	3WZ-4.13	STAIGHT SPRAYING TUBE	1
34	3WZ-4.14	LONG NOZZLE	1
35	3WZ-7B.5	PISTON PUMP	1
36	GB/T 9074.13	SCREW M6x16	4
37	3WZ-7.2.2	FILTER ASSM	1
38	3WZ-4.7.4-2A	SPRING	1



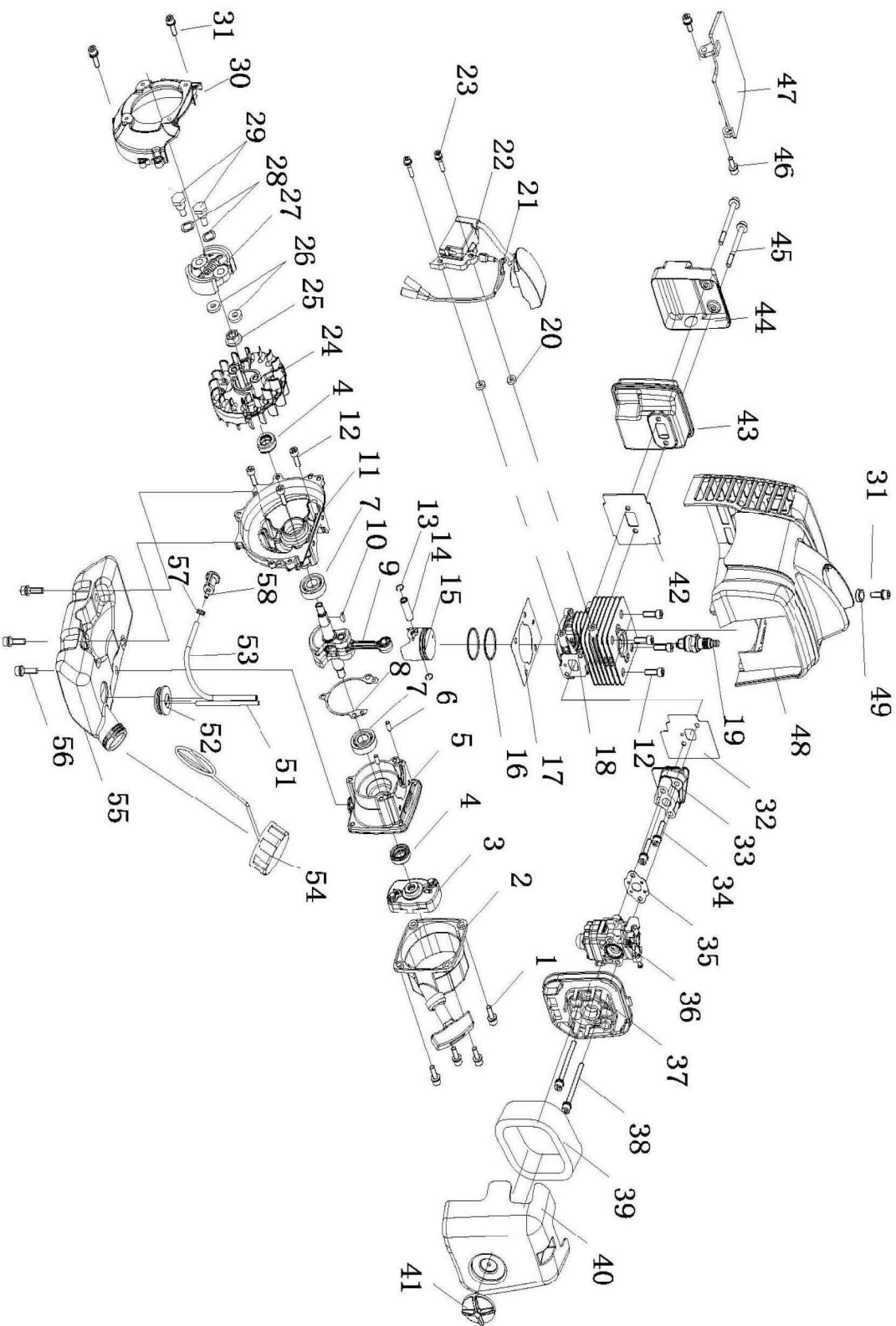


NO.	Part NO.	Part Name	Qty.
1	3WZ-7B.5-1	CLUTCH DRUM COVER	1
2	1E36F.2	SEAL	1
3	3WZ-7B.5.1-1	CONNECTING BASE	1
4	GB/T276	BEARING 6000/P6	1
5	3WZ-7B.5.1-4	WHEEL	1
6	GB/T276(17x42x12}	BEARING 6203x3	1
7	GB/T276(10x32x9}	BEARING 6200xl	1
8	3WZ-7B.5.1-2	NOUMENON	1
9	GB/T3452.1	O-RING 21.2xl.8	2
10	3WZ-7B.5-6	BAFFLE	2
11	3WZ-7B.5.3-4	WATER SEAL	4
12	3WZ-7B.5.3-3	CYLINDER STATOT	2
13	3WZ-7B.5.2A	CHECK VALVE	4
14	GB/T6659	O-RING 10x2	6
15	3WZ-7B.5.4-1	WATER CHAMBER B	1
16	GB70.1+GB93	SCREW ASSM M6X12	8
17	3WZ-7B.5-5	WATER INLET	1
18	GB70.1+GB93	SCREW ASSM M8X20	4
19	3WZ-7B.5.5-8	HANDLE CAP	1
20	GB6172	NUT M8	1
21	GB97.1	WASHER 8	1
22	3WZ-7B.5.5-1	HANDLE	1
23	3WZ-7B.5.5-3	REGULATING SCREW	1
24	GB/T6659	O-RING 10xl.8	2
25	3WZ-7B.5.5-6	SPRING SEAT 2	1
26	3WZ-7B.5.5-5	SPRING	1
27	GB70.1	SCREW ASSM M6X16	2
28	3WZ-7B.5.5-2	VALVE	1
29	3WZ-7B.5.5.1	BATTERY BOARD	1
30	GB845ST4.2X10	SCREW ASSEM	1
31	3WZ-7B.5.5-4	SPRING SEAT 1	1
32	GB3452.1	O-RING 12.5x2.65	1
33	3WZ-7B.5.5-7	VALVE SEAT	1
34	GB3452.1	O-RING 11.8xl.8	1
35	3WZ-7B.5.3-2	DISCHARGE METAL A	1
36	3WZ-7B.5-3	BOX BACK COVER	1
37	GB/T3452.1	O-RING 46.2x2.65	1
38	GB70.1+GB93	SCREW ASSM M6X20	4



<b>NO.</b>	<b>Part NO.</b>	<b>Part Name</b>	<b>Qty.</b>
39	3WZ-7B.5-2A	BOLT	1
40	3WZ-7B.5-7	PASTER	1
41	3WZ-7B.5.1-7	OIL SEAL	2
42	GB/T290 HK1010	BEARING	1
43	3WZ-7B.5.1-3	GEAR SHAFT	1
44	GB/T276	BEARING 6001 PS	1
45	3WZ-7B.5.1-6	SEALING WASHER	1
46	6MF-30.1-14	PIN	2
47	3WZ-7B.5-4	TUBE	2
48	3WZ-7B.5.3-1	WATER CHAMBER A	1
49	3WZ-7B.5.4-2	DISCHARGE METAL B	1
50	3WZ-7B.5.1-5	PLUNGER	1
13-1	3WZ-7B.5.2-1	BALL SEAT	1
13-2	3WZ-7B.5.2-2	VALVE DISK	1
13-3	3WZ-7.5.2-3	VALVE BLOCK	1
13-4	3WZ-7B.5.2-4A	VALVE SPRING	1
13-5	3WZ-7B.5.2-5	VALVE BONNET	1





<b>NO.</b>	<b>Part NO.</b>	<b>Part Name</b>	<b>Qty.</b>
1	GB70.1+GB93+GB97	Screw M5x16	4
2	P23.10A	Starter	1
3	P23.9A	Guide Cover Ass'y	1
4	1E36F.2	Oil seal	2
5	P23.11-2	Crank case R	1
6	GB/T119.1	Pin 4xh8x8	2
7	GB/T276	Bearing 6001/P53	2
8	P23.11-3	Gasket crank case	1
9	P23.6A.1	Crank shaft assy	1
10	1E40FP-3Z.3-1	Key	1
11	P23.11-1	Crank case F	1
12	GB/T70.1	Screw M5x16	7
13	1E34F.6-2	Ring snap	2
14	1E31F.4-2	Piston pin	1
15	P23.6A-1	Piston	1
16	P23.6-2	Ring piston	2
17	P23-2	Gasket cylinder	1
18	P23-1	Cylinder	1
19	CMR6A	Spark plug	1
20	P40-5	Spacer lg coil	2
21	1E40F-5.3.1	Wire lead assy	1
22	HP23.2.1-SZ.2	IG coil	1
23	GB70.1+GB93+GB97	Screw M4x20	2
24	HP23.2.1-SZ.1	Rotor magnet	1
25	GB/T6177	Nut M8	1
26	1E34F-11	Wave washer	2
27	1E34F.10	Clutch assy	1
28	1E34F-13	Washer	2
29	1E34F-12	Clutch bolt	2
30	HP23-1	Fan Cover	1
31	GB70.1+GB93+GB97	Screw M5x18	3
32	P23-7	Gasket insulator	1
33	P23.3	Insulator	1
34	GB70.1+GB93+GB97	Screw M5x25	2
35	1E36F-2A-1	Gasket carburetor	1
36	1E34F-2E.1A	Carburetor	1
37	1E34F.1.1	Cleaner base assy	1
38	GB70.1+GB97.1	Screw M5x60	2
39	1E34F.1-1	Air filter element	1





<b>NO.</b>	<b>Part NO.</b>	<b>Part Name</b>	<b>Qty.</b>
40	HP23.1-1	Cover Cleaner	1
41	1E34FG.1.1	Knob cover	1
42	1E34F-3	Gasket muffler	1
43	1E34F-2E.2	Muffler	1
44	HP23-SA	Cover	1
45	HP23-8	Screw MSxSS-10.9	2
46	GB70.1+GB93+GB97	Screw MSx14	2
47	HP23-2	Clapboard	1
48	HP23.3	Top cover	1
49	1E33F-4	Spacer lg coil	1
51	1E44F-E.5.1-2-EPA	Fuel Pipe cp5xcp2.Sx100	1
52	1E36FF.8.1-1	Plug	1
53	1E44F-E.5.1-1-EPA	Fuel Pipe cp5.Sxcp3x165	1
54	1E32FL.6.2B	Tank cap assy	1
55	HP23.6.1	Fuel tank	1
56	GB70.1+GB93+GB97	Screw MSx16	3
57	P23.12-1	Snap Rings	1
58	P40.12.2-3A	filter	1





## Power Your World

Tomahawk understands to keep a job-site running smoothly the proper equipment and spare parts are needed at the drop of a hat. With same day shipping and faster delivery times, count on Tomahawk to keep you powered throughout the day! With long lasting parts and engines, Tomahawk equipment will be the star of your fleet for years to come. Visit [www.tomahawk-power.com](http://www.tomahawk-power.com) to get started today!

# TOMAHAWK

Tomahawk Power, LLC  
San Diego, CA

### Sales Support

(866) 577-4476

[sales@tomahawk-power.com](mailto:sales@tomahawk-power.com)

### Equipment Support

(866) 577-4476

[support@tomahawk-power.com](mailto:support@tomahawk-power.com)

[www.tomahawk-power.com](http://www.tomahawk-power.com)

