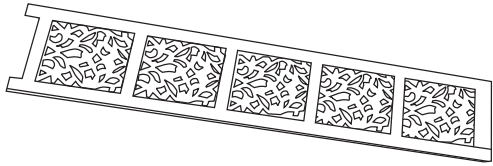
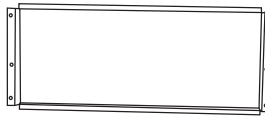


# ASSEMBLY INSTRUCTIONS: CVFNR456

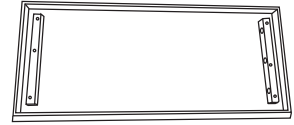
AX2



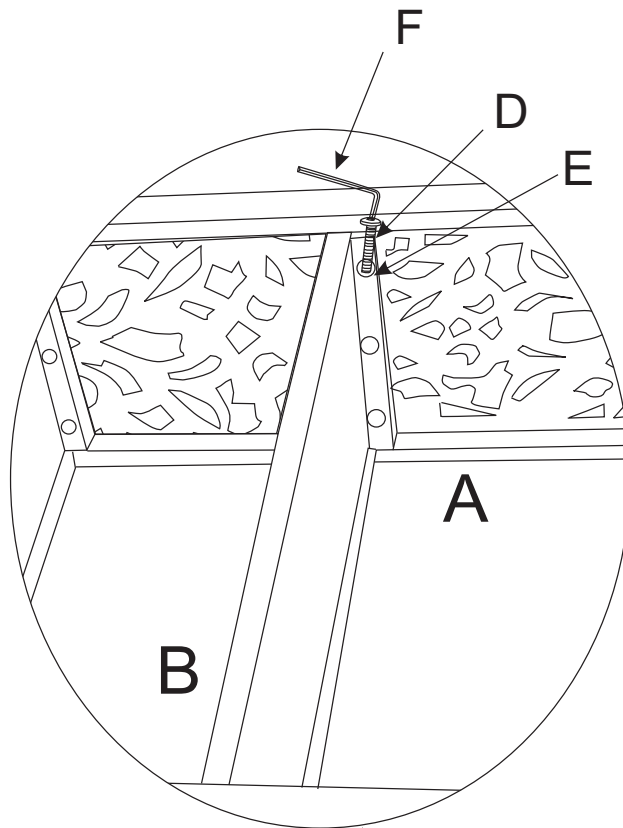
BX5



CX1



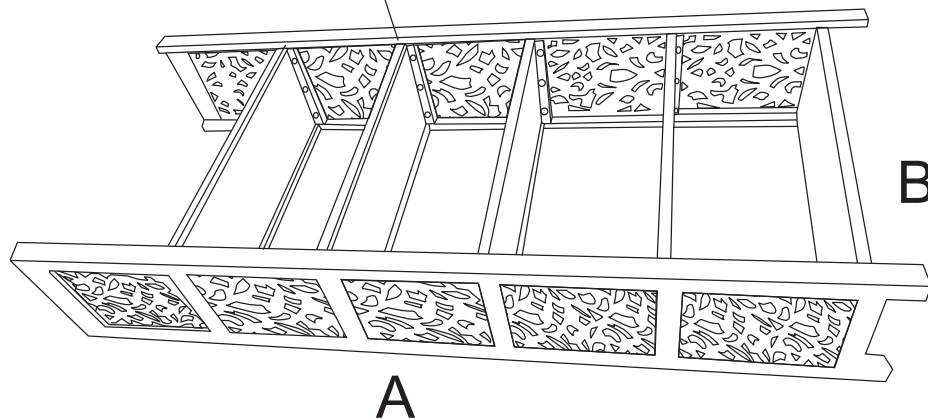
1



D  = X36

E  = X36

F  = X1



# ASSEMBLY INSTRUCTIONS: CVFNR456

2

