

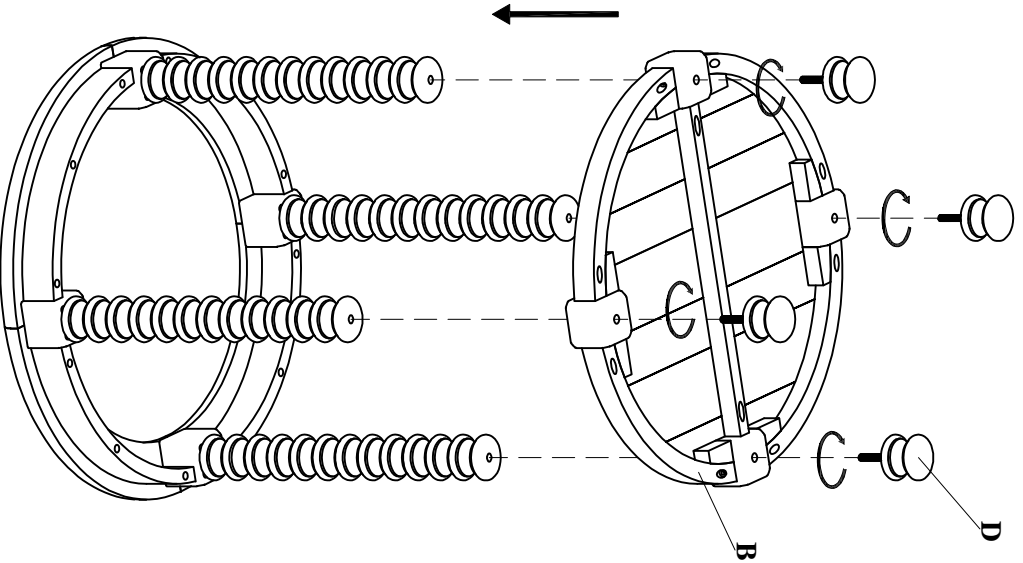
# ASSEMBLY INSTRUCTIONS & PARTS IDENTIFICATION

## CRESTVIEW # CVFVR8034

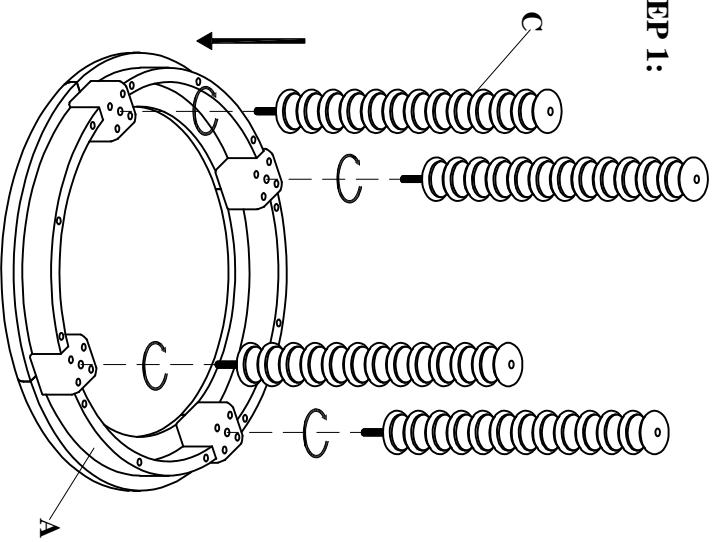
### ROUND END TABLE

PARTS KEY.				HARDWARE LIST:			
No	Description	Qty	No	Description	Sketch	Size	Qty
A	Face Table	1PC	1				
			2				
B	Shelf	1PC	3				
			4				
C	Leg	4PCS	5				
D	Leg soles	4PCS					

**STEP 2:**



**STEP 1:**



**STEP 3:**

