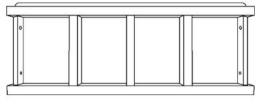
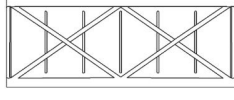
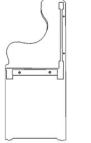
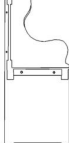
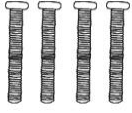
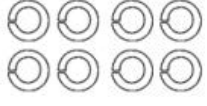
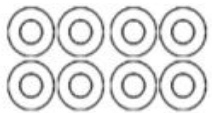



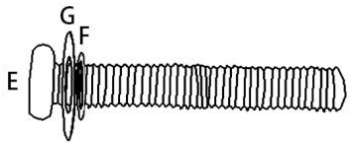
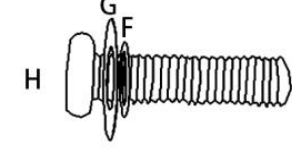
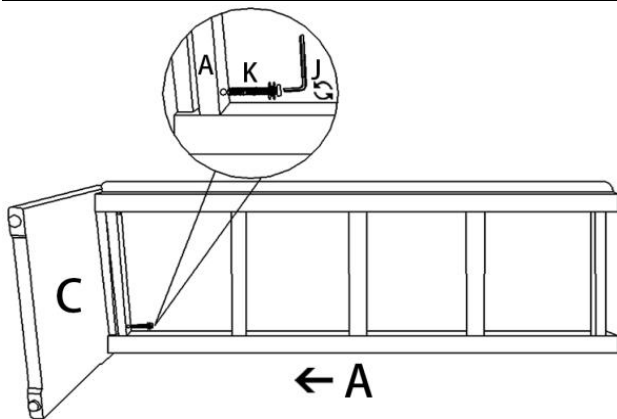


Assembly Instruction

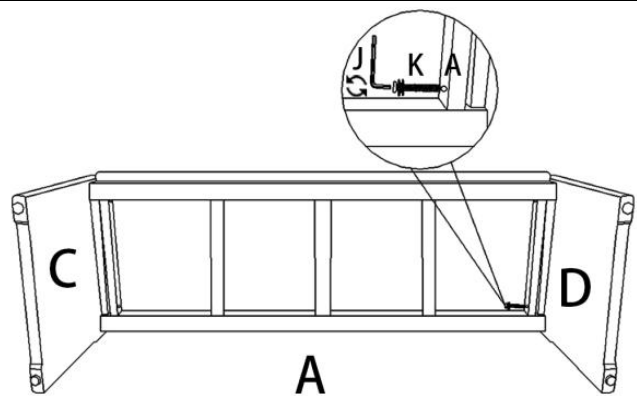
Item: EVFZR3188GRY

Laying out all the parts & hardware, and identifying each part as shown may help you when you assemble your frame.

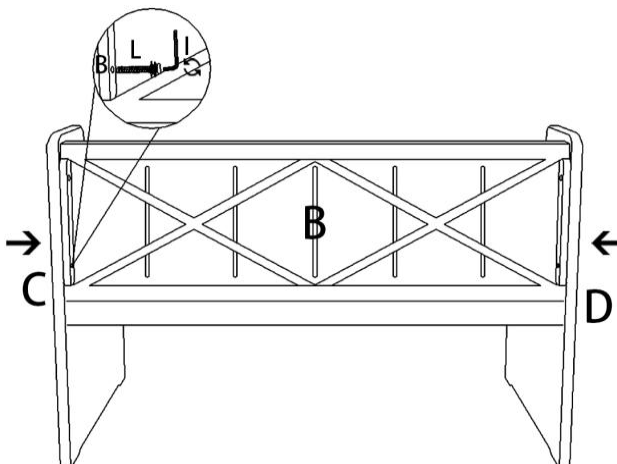
ITEM	PART	DESC.	QTY	ITEM	PART	DESC.	QTY
A		Bench Top	1	B		Backrest	1
C		Left Leg	1	D		Right Leg	1
E		Long Screw	4	F		Rubber Ring	8
G		Spacer	8	H		Short Screw	4
I		Small Allen Wrench for Short Screw	1	J		Large Allen Wrench for Long Screw	1
K			4	L			4



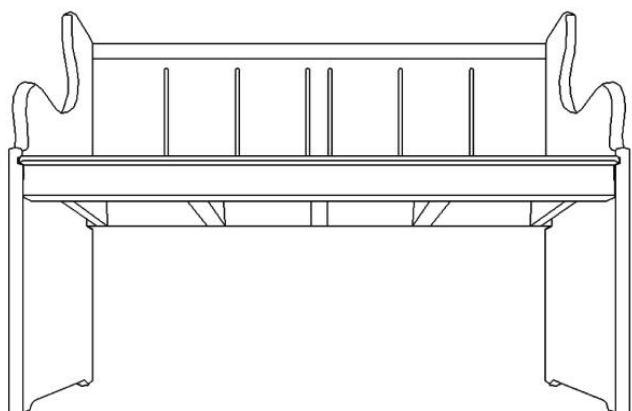
Step 1: Insert Bench Top(A) into the Left Leg(C) then lock with (K) and Wrench(J)



Step 2: Insert Right Leg(D) into the Bench Top(A) then lock with (K) and Wrench(J)



Step 3: Insert Backrest(B) into the Bench Top(A) and Leg(C,D) then lock with (L) and Wrench (I)



Step 4: Your elegant product is ready.