



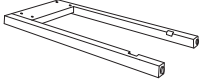

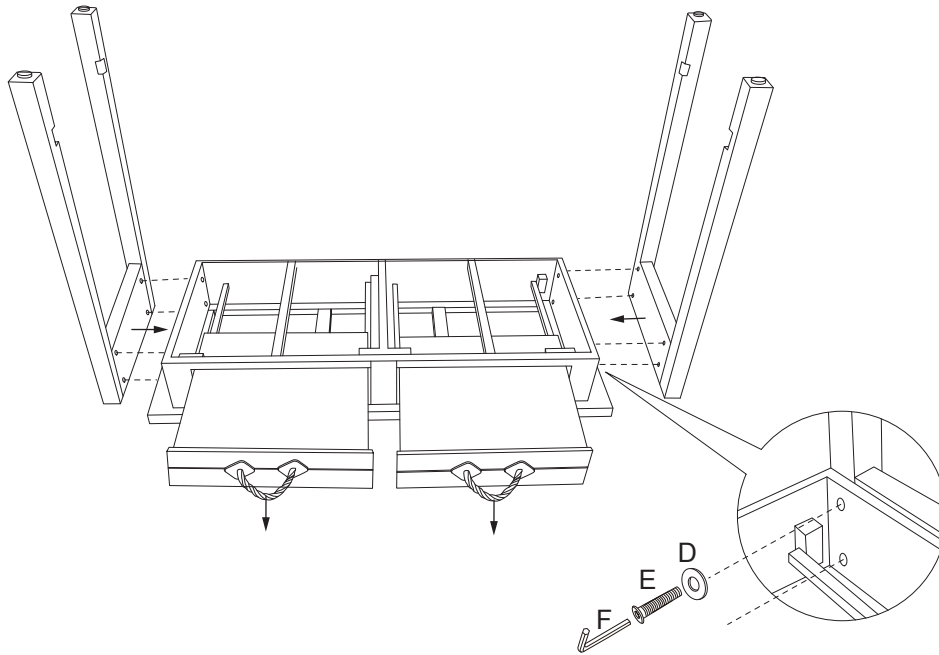


Assembly Instruction

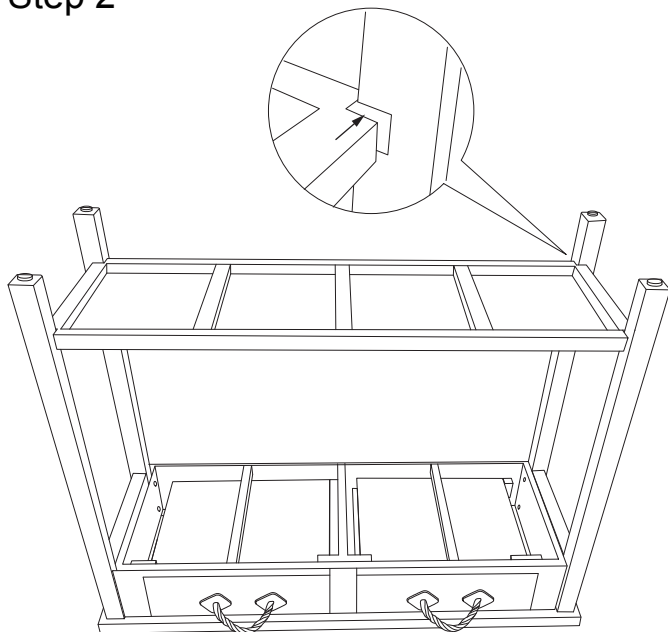
ITEM#CVFZR696

| PARTS LIST | | | | | | HARDWARE LIST | | | | | |
|------------|-------------|---|-----|-----|-------------|---|-----|-----|--------------|---|---|
| NO. | DESCRIPTION | | QTY | NO. | DESCRIPTION | | QTY | NO. | DESCRIPTION | QTY | |
| A | table top |  | 1 | C | shelf |  | 1 | D | washer |  | 8 |
| | | | | | | | | E | long bolt |  | 8 |
| B | leg |  | 2 | | | | | F | allen washer |  | 1 |

Step 1



Step 2



Completion

