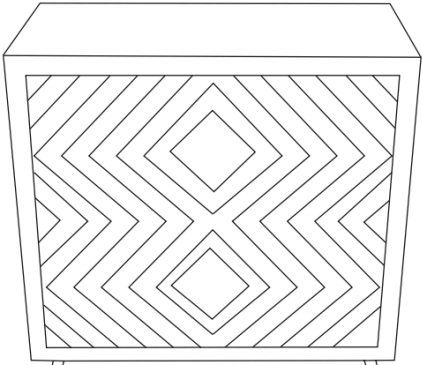
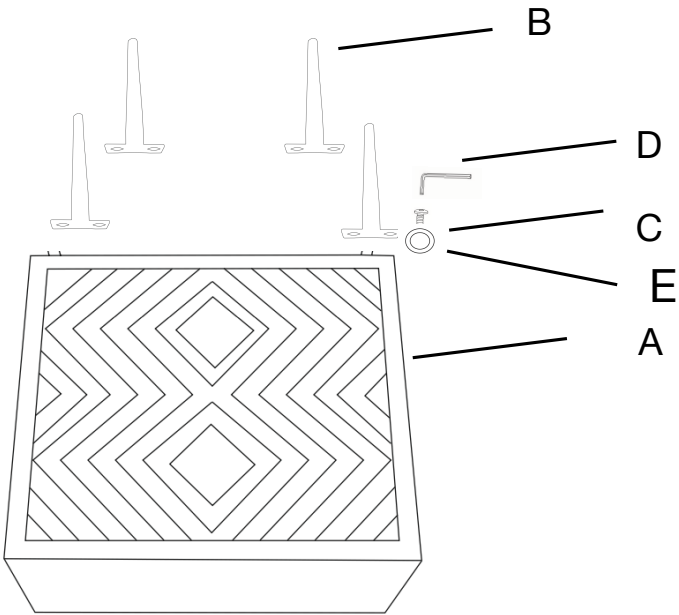


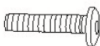


ASSEMBLY INSTRUCTIONS - CVFNR814

Ax1



Bx4



C		= X8
D		= X1
E		= X8

