

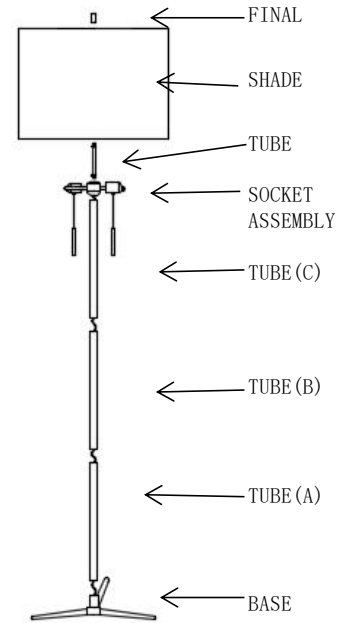
ASSEMBLY INSTRUCTION

ITEM#CVAZER051

- 1.-FASTEN TUBE(A) ONTO BASE.
- 2.-FASTEN TUBE(B) ONTO TUBE(A).
- 3.-FASTEN TUBE(C) ONTO TUBE(B).
- 4.-FASTEN SOCKET ASSEMBLY ONTO TUBE(C).
- 5.-PLACE TUBE ONTO SOCKET ASSEMBLY.
- 6.-PLACE SHADE INTO TUBE AND TIGHTEN FINIAL.

IMPORTANT SAFETY INSTRUCTIONS

THIS PORTABLE LAMP HAS A POLARIZED PLUG(ONE BLADE IS WIDER THAN THE OTHER).AS A SAFETY FEATURE,THIS PLUG WILL FIT IN A POLARIZED OUTLET ONLY ONE WAY.IF THE PLUG DOES NOT FIT FULLY IN THE OUTLET,REVERSE THE PLUG.IF IT STILL DOES NOT FIT,CONTACT A QUALIFIED ELECTRICIAN, NEVER USE WITH AN EXTENSION CORD UNLESS PLUG CAN BE FULLY INSERTED.DO NOT ATTEMPT TO DEFEAT THIS SAFETY FEATURE.



ASSEMBLY INSTRUCTION

- 1.-FASTEN TUBE(A) ONTO BASE.
- 2.-FASTEN TUBE(B) ONTO TUBE(A).
- 3.-FASTEN TUBE(C) ONTO TUBE(B).
- 4.-FASTEN SOCKET ASSEMBLY ONTO TUBE(C).
- 5.-PLACE TUBE ONTO SOCKET ASSEMBLY.
- 6.-PLACE SHADE INTO TUBE AND TIGHTEN FINIAL.

IMPORTANT SAFETY INSTRUCTIONS

THIS PORTABLE LAMP HAS A POLARIZED PLUG(ONE BLADE IS WIDER THAN THE OTHER).AS A SAFETY FEATURE,THIS PLUG WILL FIT IN A POLARIZED OUTLET ONLY ONE WAY.IF THE PLUG DOES NOT FIT FULLY IN THE OUTLET,REVERSE THE PLUG.IF IT STILL DOES NOT FIT,CONTACT A QUALIFIED ELECTRICIAN, NEVER USE WITH AN EXTENSION CORD UNLESS PLUG CAN BE FULLY INSERTED.DO NOT ATTEMPT TO DEFEAT THIS SAFETY FEATURE.

