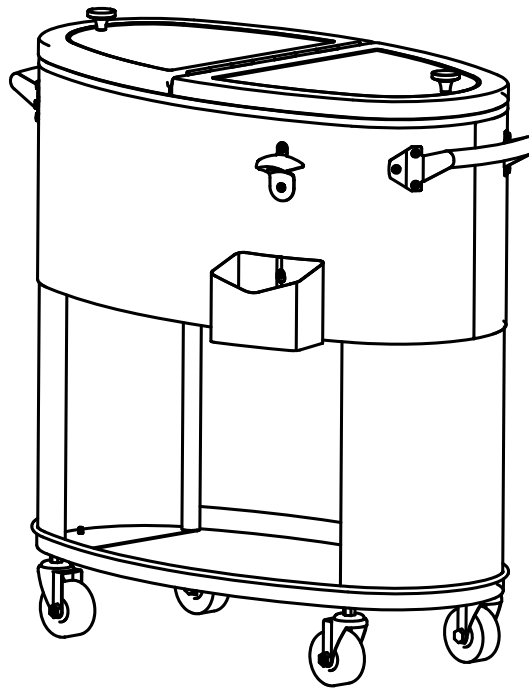


# OWNER'S MANUAL



## 80QT STEEL COOLER MODEL:PS-207-80QT

### LIMITED WARRANTY:

PERMASTEEL INC. Guarantees that this Product shall be free from defects in workmanship and materials, for a period of 90 Days from the date of original purchase.

Our obligation under this warranty shall be limited to replacement of parts during the warranty period. Our liability shall not extend beyond replacement of parts.

This warranty excludes normal wear & tear such as paint loss, discoloration and rust on product and its parts or components, and any damage arising from any of the following, negligent use or misuse of the Product, use contrary to this User's Manual, or alteration by anyone other than Permasteel Inc. All warranty coverage is void if this cooler is ever used for commercial or rental purposes; this warranty is valid only in the USA.

The warranty period of 90 Days shall not be extended or renewed by the repair or replacement of parts or compensation for the Product. If your Product is defective or otherwise requires service or parts, please call Permasteel Customer Service at (888)-287-0735, between 8:00 a.m. and 5:00 p.m. PST. Email: [service@permasteel.net](mailto:service@permasteel.net) or visit us at [www.permasteel.net](http://www.permasteel.net)

Permasteel Inc. will ship parts free of charge for a period of 30 days from date of purchase. Consumer is responsible for shipping & handling and processing of warranty claims after 30 days of purchase date.

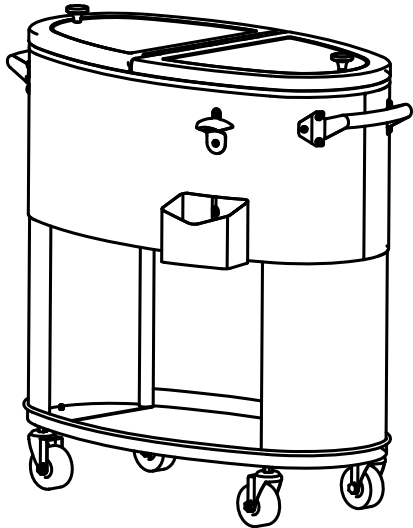
Proof of purchase like purchase receipt must accompany any service request.

### CARE & MAINTENANCE

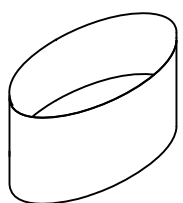
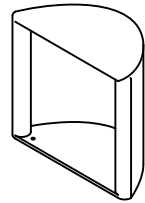
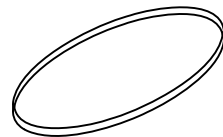
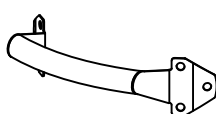


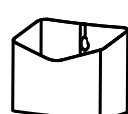


#### Manufacturer recommends the following care & maintenance:

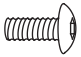
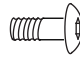
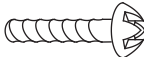


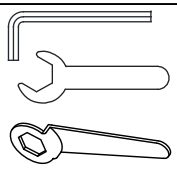
- Cooler must be drained of water and completely dried in and out with a soft-clean cloth after every use.
- When not in use for prolonged periods of time it is recommended to store in an enclosed dry place such as a storage shed or garage.
- During the season when using cooler frequently it is recommended to use a weather-proof cover to cover cooler when not in use.
- Periodically apply a light coat of automotive wax to protect & prolong the life & finish of the cooler. For further care & maintenance tips or questions
- please call customer service at 888-287-0735 or email us at [service@permasteel.net](mailto:service@permasteel.net) or visit us at [www.permasteel.net](http://www.permasteel.net)

# OWNER'S MANUAL

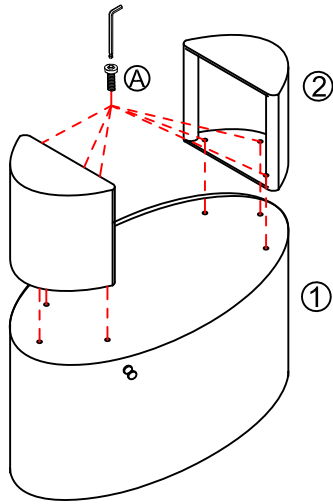


Power tools are not recommended while assembling this product.

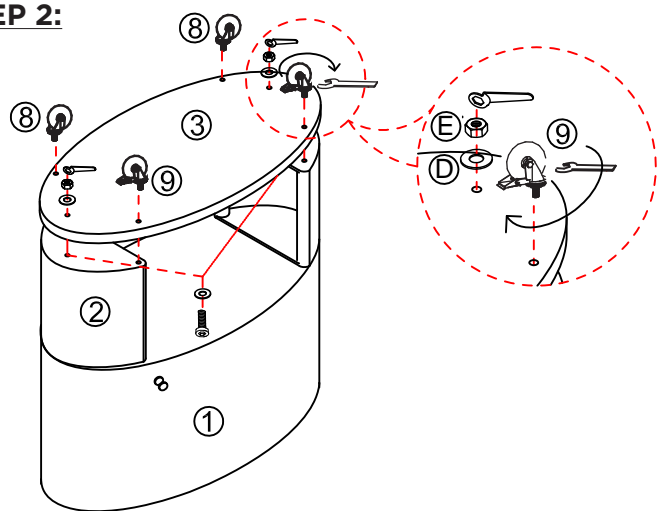
① Basin  X 1PC	② Leg Frame  X 1PC	③ shelf  X 1PC	④ handle  X 2PCS
⑤ Knob  X 2PCS	⑥ Bottle Opener  X 1PC	⑦ Cap Catcher  X 1PC	⑧ Caster  X 2PCS
⑨ Caster w/ Brake  X 2PCS			

Ⓐ Bolt M6*13mm  X 22pcs	Ⓑ Shoulder Bolt M6*15mm  X 2pcs	Ⓒ Screw M4*32mm  X 2pcs	Ⓓ Flat Washer  X 4pcs	Ⓔ Hex Nut  X 2pcs	Tools included 
---	---	---	--	---	--

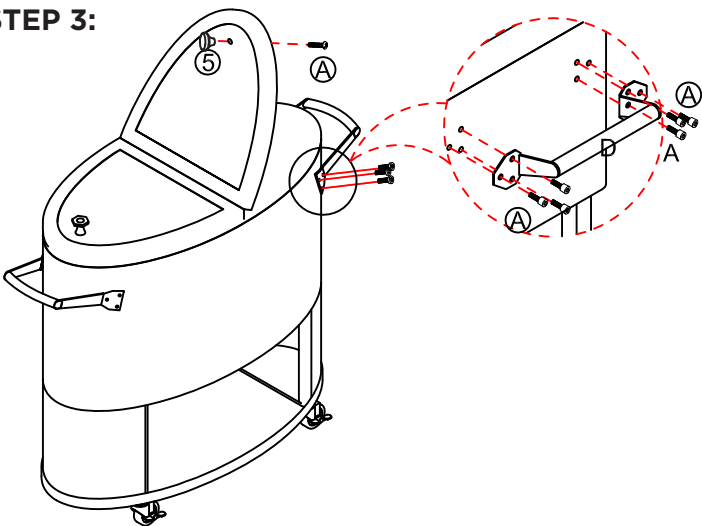
## STEP 1:



## STEP 2:



## STEP 3:



## STEP 4:

