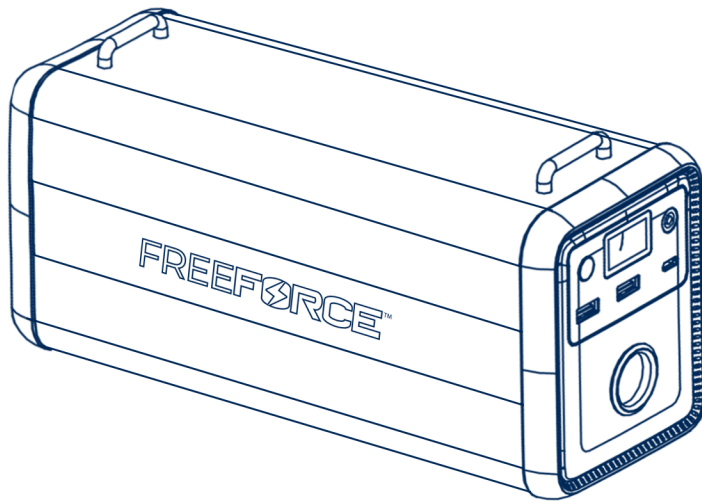


FREEFORCE™

ULTRALITE 440

ULTRALITE PORTABLE POWER STATION



USER MANUAL

- What's in the Box
- How to Charge
- Features
- Technical Specifications
- Warranty Information
- Contact Information



Charge Me!

Begin charging your FreeForce Ultralite 600 by connecting it to the power supply provided.

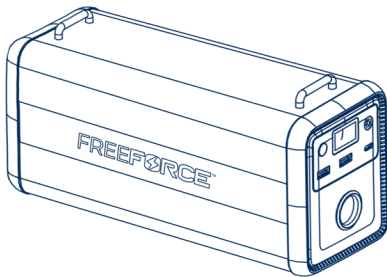
The purpose of this manual is to help you use your product to its full capability! Please contact us directly if you have further questions about your FreeForce product here:

 hi@freeforcepower.com

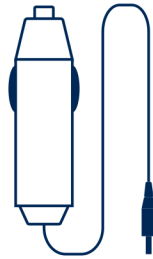
 888-984-2762

 www.freeforcepower.com

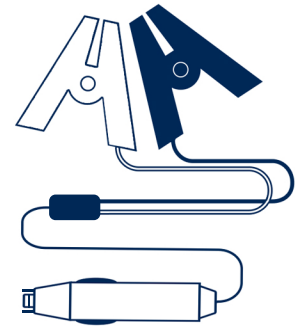
WHAT'S IN THE BOX



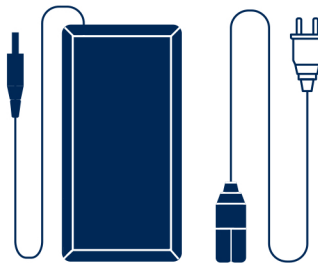
Freeforce Ultralite 440



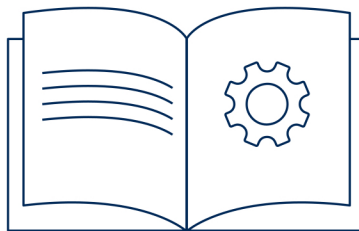
**Car Charging Adaptor
& 47" Cable**



**Car Charging Clip
with 47" Cable**



47" AC Adaptor & 47" Cord



User Manual

HOW TO CHARGE YOUR PRODUCT

Using the switch button

Short press once: Turn on output and display

Short press once: Turn off output and display. The product needs to close output manually, please remember to press the button to close the switch when not in use.

Double press: Activate DC12V output, if no load is detected within 20 seconds, there is an automatic exit out of DC output and it reverts to a charging port.

Press and hold: Turn on the lights

When the light is on, press and hold once: switch the light mode between white lights, red warning lights, SOS, etc.

BEFORE USING OR STORING THE PRODUCT, FULLY CHARGE IT.

Charging with a power adapter

Plug the power adapter into an AC socket and the other end into the product's DC input to charge.

Charging with a car charger

Plug the car charging charger into the car light oche head and the other end into the product's DC input to charge.

Charging with a solar panel

Insert the solar panel DC charging head into the product's DC input to charge. Place solar panels under the sun.

RECHARGING TIMES



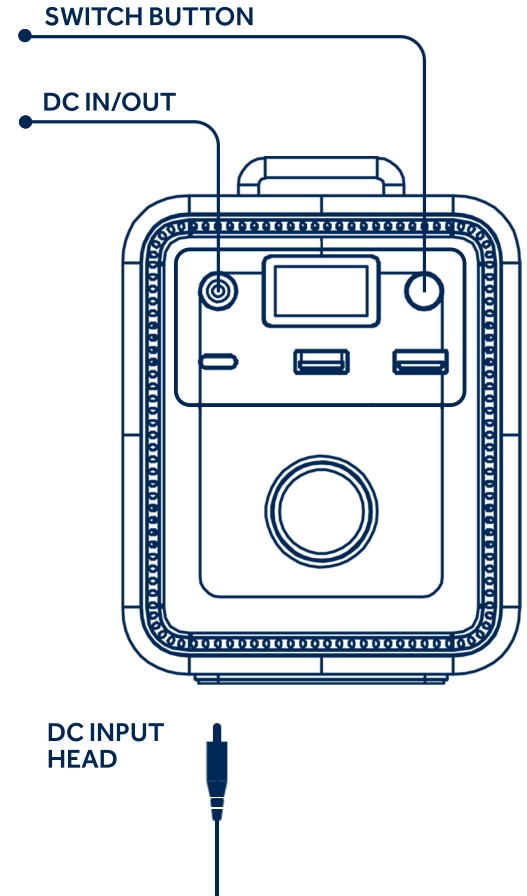
Wall Charger
65W input
8 - 9 hours



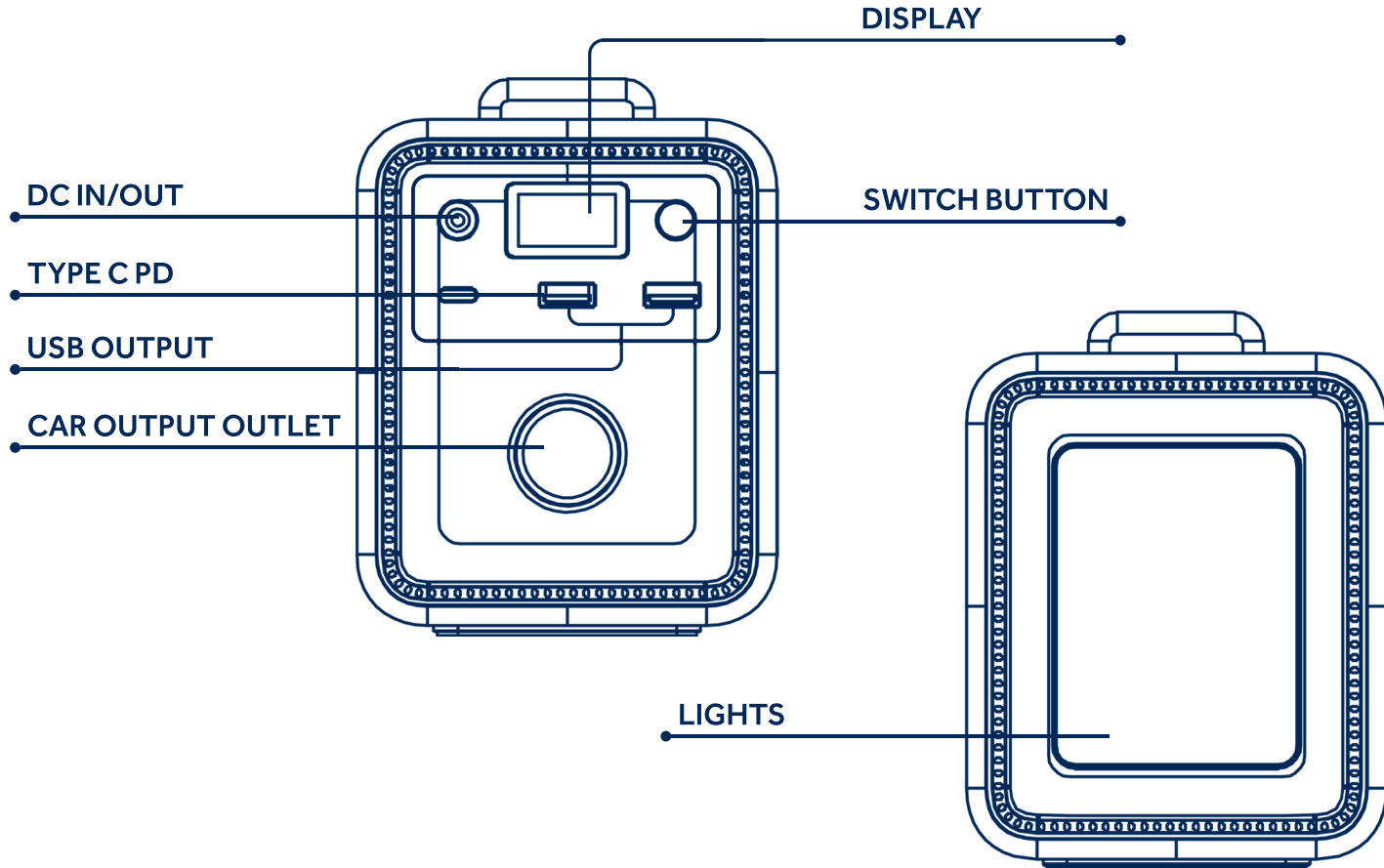
Car Charger
65W input
8 - 9 hours



Solar Charger (60-100W max)
60W input
15 hours



GETTING TO KNOW YOUR PRODUCT



*Please Note: It's normal for this product to generate heat when it is being charged. Electrical voltage standards vary. Before use, you must carefully check whether the product specifications are consistent with those of the appliance. Otherwise, it may lead to a dangerous situation. Please use the authorized charging cables for smart phones or any other electronic devices. The charging may stop if you do not use the authorized cables. If the charging is completed, the power may be turned off to save the energy. If you want to use the product again, turn the switch on to power up the product.

USING YOUR PRODUCT FOR AC & DC ELECTRICAL APPLIANCES



Charging with the DC interface:

The DC port can be used to charge 12V DC port devices, such as LED lights, small fans, etc.



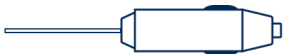
Charging with the type-C port:

Use the Compact USB to charge your laptop computer, tablet, mobile phone, etc.



Charging with the standard USB interface:

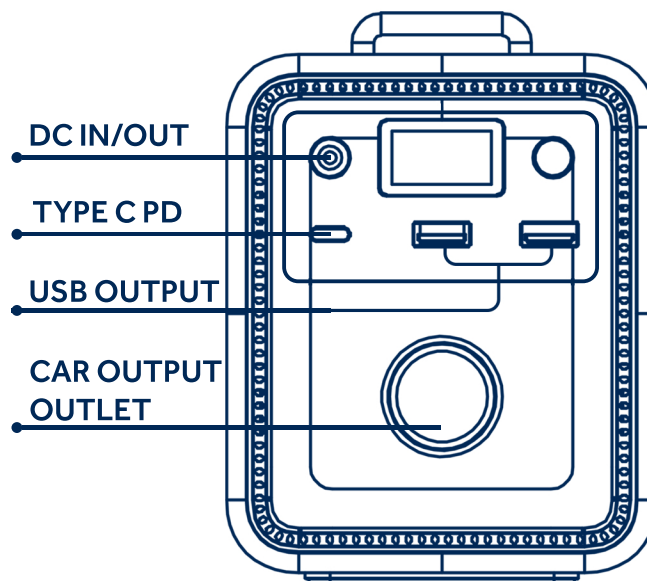
Use USB port for smartphones, MP3 players, digital cameras, electronic readers, tablet, computer, etc.



Charging with the car output port:

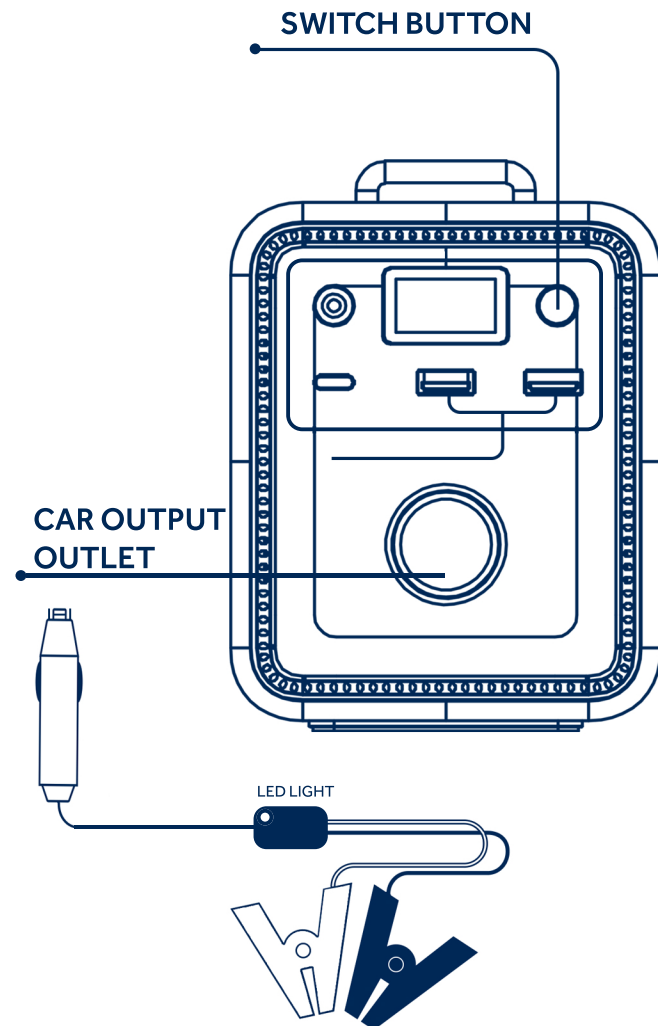
Connect the car's output port to device for electric refrigerator, vacuum cleaner, car navigator, kettle, fan, humidifier, etc.

CAR OUTPUT OUTLETS ARE DIVIDED INTO 12V (CAR) AND 24V (TRUCK).
PLEASE CHOOSE THE PRODUCT VERSION THAT FITS THE CAR.



CHARGING YOUR CAR BATTERY

1. First insert car charging clip head into the car output outlet on the power station.
2. Connect the black clip to the negative of the car battery; then connect the red clip to the positive of the car battery.
3. Turn on the power of power station.
4. Check the car battery charging clip, LED light will be turned on to indicate that car battery is well connected with power station. (This small LED light is on the car charger.)
5. Keep charging the car battery for 15-30 minutes.
6. Turn on the car key or button to start car.
7. Remove the car charging cable from power station.
8. Remove jump charging clip from the car battery.



SPECIFICATIONS

Core Capacity	126000mAh
Core Energy	466Wh (3.7V)
Adapter Input	13.2V 5A 100W Max
Solar Panel Input	18V-30V 100W Max
Car Charge Input	12V/24V 100W Max
Car charge outlet output	12V 150W Max
USA QC 3.0Output	5V-9V-12V 18W Max
DC Output	12V 60W Max
Enter DC Port	5521
Type-C PD	5V-9V-12V-15V-20V 45W Max
USB Output	5V 2.4A
Bare Metal Weight	About 3.75KG
Discharge Temperature	-10-50°C
Cycle Life	>700 Times (to 80% residual capacity)
Security	Temperature protection, short-circuit protection, overcharge protection, over-release protection, overcurrent protection, overpressure protection, anti-reverse protection, etc.
Product Size	24*9.8*11.8cm (9.45 x 3.86 x 4.65")
Charging Temperature	-10- 45 °C (10 – 113 °F)
Storage Temperature	-20-50 °C (-4 – 122 °F)

PRECAUTIONS

Before using this product, you should read the instructions carefully and be aware of the precautions.

The product is equipped with high-voltage electricity. It is expected to use with caution in order to avoid any accidents.

Note the maximum load of the product discharge. Check that the device matches the output power corresponding to the power port

The appliance can restart power recovery after the protection function is started.

This product is not permitted on aircrafts.

Use the original or certified charger and cables, charge it by the constant current and voltage, and prohibit reverse charging.

Please do not put this product in contact with fire, liquids, and direct sunlight.

Avoid storing this product near metal objects like coins, jewelry, and keys to prevent short-circuiting.

It's normal for this product to generate heat when it is being charged.

The electric core used in this product is automotive-grade power lithium-ion cell, small size, large capacity, light weight, long life cycle.

Do not disassemble the product

Battery capacity and output power is affected when the temperature is below 0 degrees.

Before storing, charge the appliance and recharge once every 6 months while in storage. Store in a cool dry place between 20 and 50 degrees.

In the case of throwing this product away, please dispose in accordance with local regulations.

WARRANTY INFORMATION

Proper use helps to extend the life of this product. Please operate strictly according to the user manual and under the prescribed conditions. This product is intended for consumer use only.

Warranty is valid for 1 year from the date of purchase.

During the warranty period, we will repair or replace the product at no cost, unless the damage is caused by:

- **Improper use or handling of the product (other than consumer use, rough use/dropping, improper charging)**
- **Disasters such as flood, fire or earthquake**
- **Unauthorized disassembling, repair, or modification of the product**

CONTACT US



hi@freeforcepower.com



www.freeforcepower.com



888-984-2762



@freeforcepower

FREEFORCE™

ULTRALITE 440

ULTRALITE PORTABLE POWER STATION