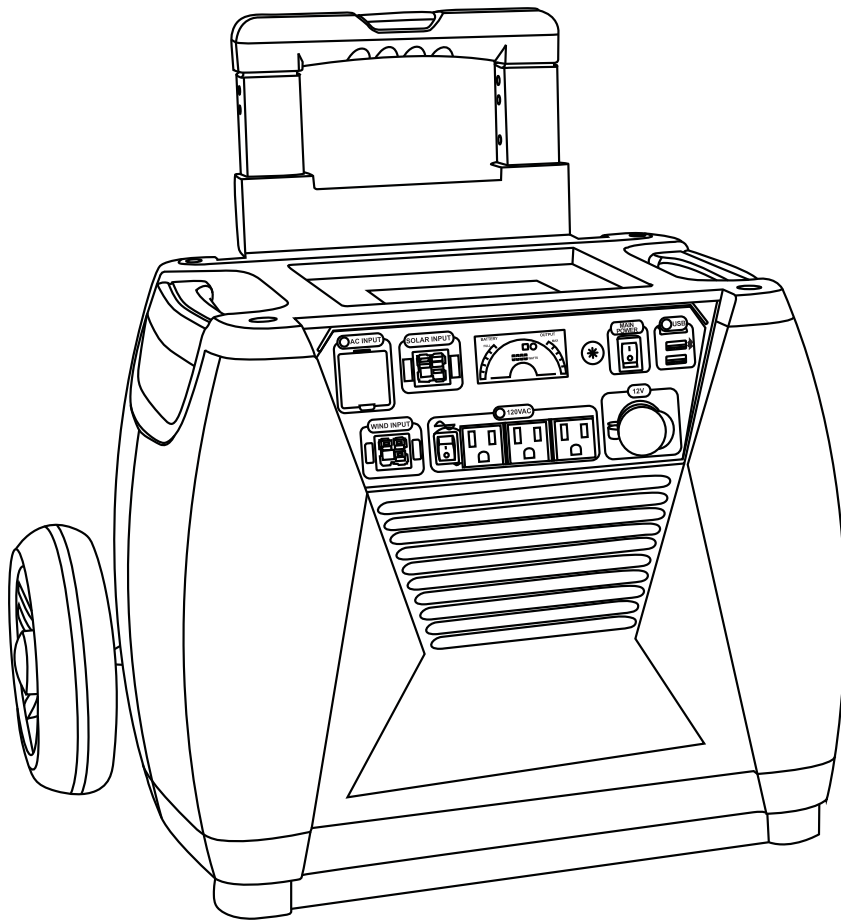


Nature's Generator Elite

User Manual



Nature's Generator Elite

Contents

Important Safety Instructions	1
- Warning	1
- Caution	2
Introduction	3
- Unpack Your Nature's Generator Elite	3
- Get to Know Your Nature's Generator Elite	4
Using Your Nature's Generator Elite	6
- How to Recharge Your Nature's Generator Elite	6
- How to Use Your Nature's Generator Elite	7
- How to Read the LCD Display	8
- How to Expand the Capacity of Your Nature's Generator Elite	9
- How to Maintain and Store Your Nature's Generator Elite	9
- How to Install the Cart to Your Nature's Generator Elite	10
Troubleshooting	16
Technical Specifications	17
Limited Warranty	18

Important Safety Instructions

1. Read these instructions.
2. Keep these instructions.
3. Take care of all warnings.
4. Follow all instructions.
5. Do not use this apparatus near water.
6. Do not block any ventilation openings.
7. Do not use near flammable gases or fumes or other apparatus that produce a large amount of heat.
8. Only use attachments/accessories approved by the manufacturer.
9. Use only with the cart approved by the manufacturer, or sold with the equipment. When a cart is used, use caution when moving the cart/apparatus combination to avoid injury from tip-over.
10. Refer all servicing to qualified service personnel. Servicing is required when the equipment has been damaged in any way, such as power-supply cord or plug is damaged, liquid has been spilled or objects have fallen into the equipment, the equipment has been exposed to rain or moisture, does not operate normally, or has been dropped.
11. The equipment should not be exposed to dripping or splashing, and no objects filled with liquids, such as vases, should be placed on the equipment.

Warning

Electric Shock Hazard

Keep away from children. Nature's Generator Elite generates the same potentially lethal AC power as a normal household wall outlet. To reduce the risk of fire or electric shock, do not remove any cover or expose the device to rain or moisture. Do not insert foreign objects into the AC Outlet or the ventilation holes.

Explosion Hazard

Do not burn or incinerate this item. This item may explode, causing personal injury or damage. Do not use near flammable gases or fumes or other apparatus that produces large amounts of heat.

Lightning Hazard

For added protection for your device during a lightning storm, unplug it from the power outlet and disconnect the cables. This helps to prevent property damage and personal injury from lightning and power line surges.

Energy and Burn Hazard

Nature's Generator Elite has a sealed lead acid battery, which can present a risk of burn from high current because of short-circuit.

Replacement Parts

When replacement parts are required, make sure that the service technician uses replacement parts specified by the manufacturer that have the same characteristics as the original part. Unauthorized substitutions may result in fire, electric shock, personal injury, or other hazards.

Safety Check

After completing any service or repair to this device, ask the service technician to perform routine safety checks to determine that your Nature's Generator Elite is in correct operating condition.

Servicing

These servicing instructions are for use by qualified service personnel only. To reduce the risk of electric shock, do not perform any servicing other than that contained in the operating instructions unless you are qualified to do so.

Caution

Damage Requiring Service

Stop using the Nature's Generator Elite and refer servicing to qualified service personnel under the following conditions:

- If liquid has been spilled or objects have fallen into your Nature's Generator Elite.
- If your Nature's Generator Elite has been exposed to rain or water.
- If your Nature's Generator Elite has been dropped or damaged in any way.
- When your Nature's Generator Elite exhibits a distinct change in performance.

Cold Weather

Cold temperatures can impact Nature's Generator Elite performance. If you are in area that will be consistency below freezing, we recommend keeping your Nature's Generator Elite in an insulated location and connected to a solar panel.

Recycling and Disposal

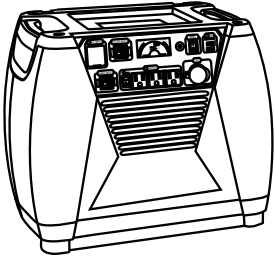
Your Nature's Generator Elite may contain materials that are regulated for environmental reasons. Your Nature's Generator Elite also contains materials that can be recycled and reused. To help protect the environment, contact your local authorities for information about disposal or recycling and about finding a recycler in your area before you dispose of your Nature's Generator Elite.

Introduction

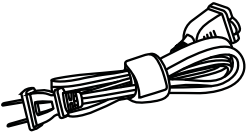
Congratulations on your new Nature's Generator Elite, a state-of-art generator that provides reliable power for emergencies, off grid living, or wherever power is needed.

Unpacking Your Nature's Generator Elite

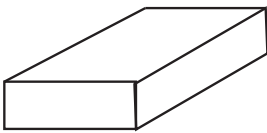
1. Nature's Generator Elite



2. AC Power Cord



3. Cart Box

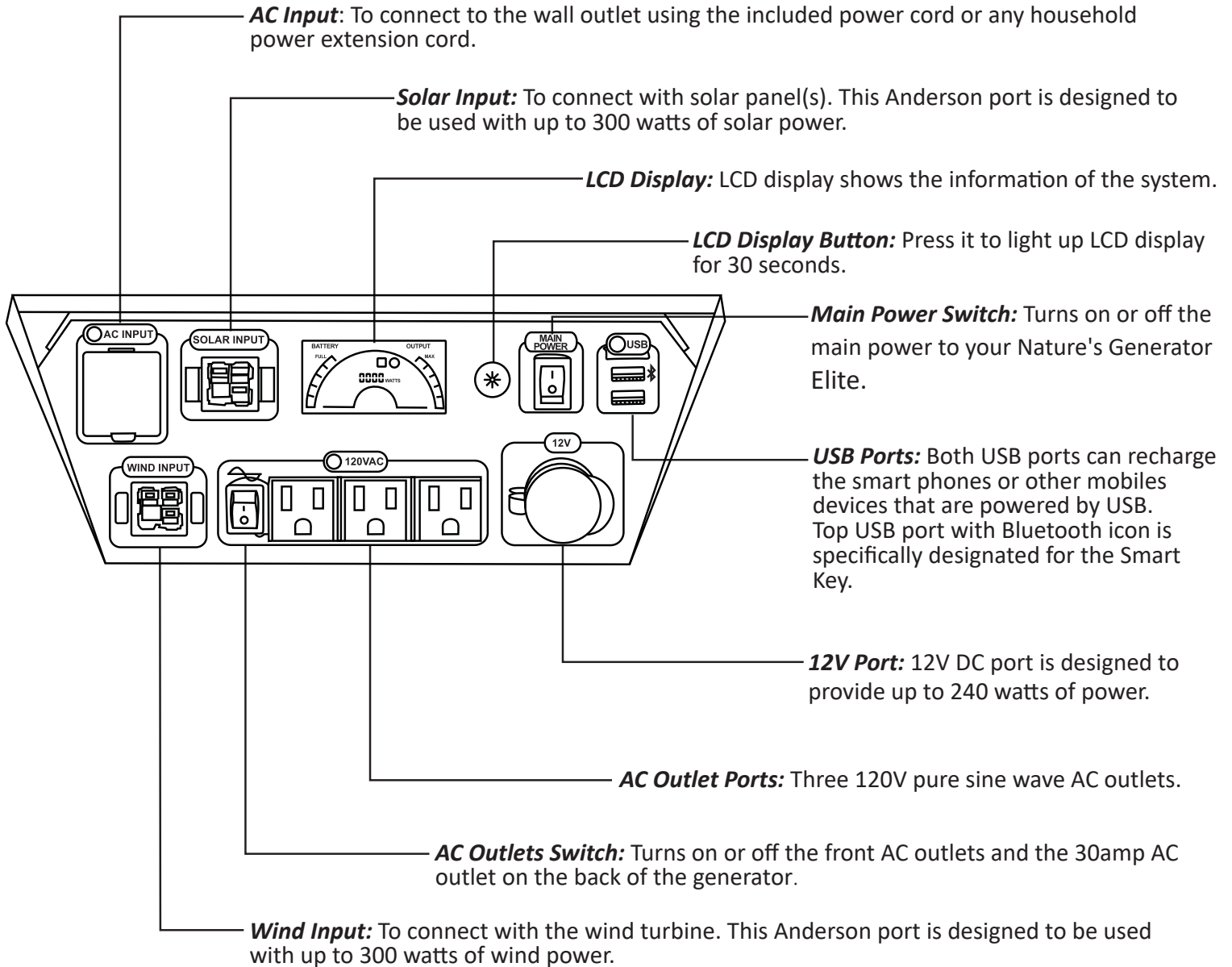


4. This User Guide

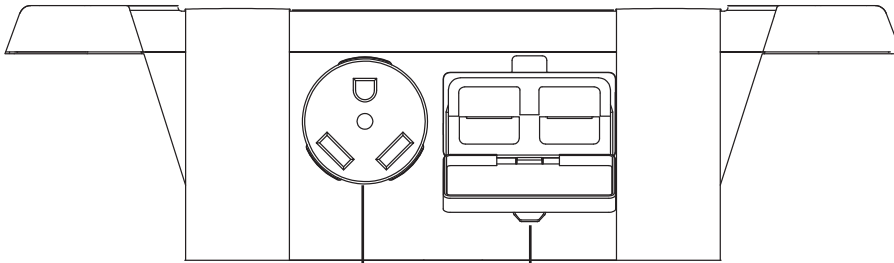


Get to Know Your Nature's Generator Elite

Front Panel



Back Panel



Expansion cord:

Daisy chaining fuses and daisy chain connector. For use with Nature's Generator Power Pod Elite.

30amp AC Outlet Port:

One 120V 30amp pure sine wave AC outlet.

Using Your Nature's Generator Elite

How to Recharge Your Nature's Generator Elite

Recharging from Solar Panels

1. Place your solar panel where it will get as much direct sunlight as possible. While direct sunlight is always preferred, solar panels should be connected at all times to provide a consistent trickle charge to your battery. Solar panels will also send a charge to your unit while in hazy or overcast skies.
2. Insert solar panel plug into Solar Input port on the front of your Nature's Generator Elite. You will know it is recharging when LCD display lights up, solar panel icon is illuminated and battery bar starts to register. The battery bar will stop registering when the battery on the LCD display is full or there is not enough power from solar panel.
3. It takes about 15 to 20 hours to recharge Nature's Generator Elite if using one 100 watt solar panel, and also depends on the the strength of the sunlight.
4. To increase the recharging speed, you can daisy chain multiple solar panels in parallel connection. The Solar Input port can handle up to 300 watts of solar power. In other words, three 100 watt solar panels can be chained in parallel before connecting to the Solar Input port. Visit Naturesgenerator.com for more information about the solar panel.

Recharging from the Wind Turbine

1. Place your wind turbine where it will get as much wind as possible.
2. Insert wind turbine plug into Wind Input port on the front of your Nature's Generator Elite. You will know it is recharging when LCD display lights up, wind turbine icon is illuminated and battery bar starts to register. The battery bar will stop registering when the battery on the LCD display is full or there is not enough power from wind turbine.
3. The recharging speed depends on the wind turbine power rating and the strength of the wind. The Wind Input port can handle up to 300 watts of wind power. Visit Naturesgenerator.com for more information about the wind turbine.

Recharging from AC Power

1. Insert the power cord to the AC Input Port on the front of the Nature's Generator Elite.
2. Plug the other end of the power cord into the wall outlet. You will know it is recharging when LCD display lights up, AC input icon is illuminated on the LCD display and battery bar starts registering. The battery bar stops registering when the the battery is full and the AC Input light changes from red to green.

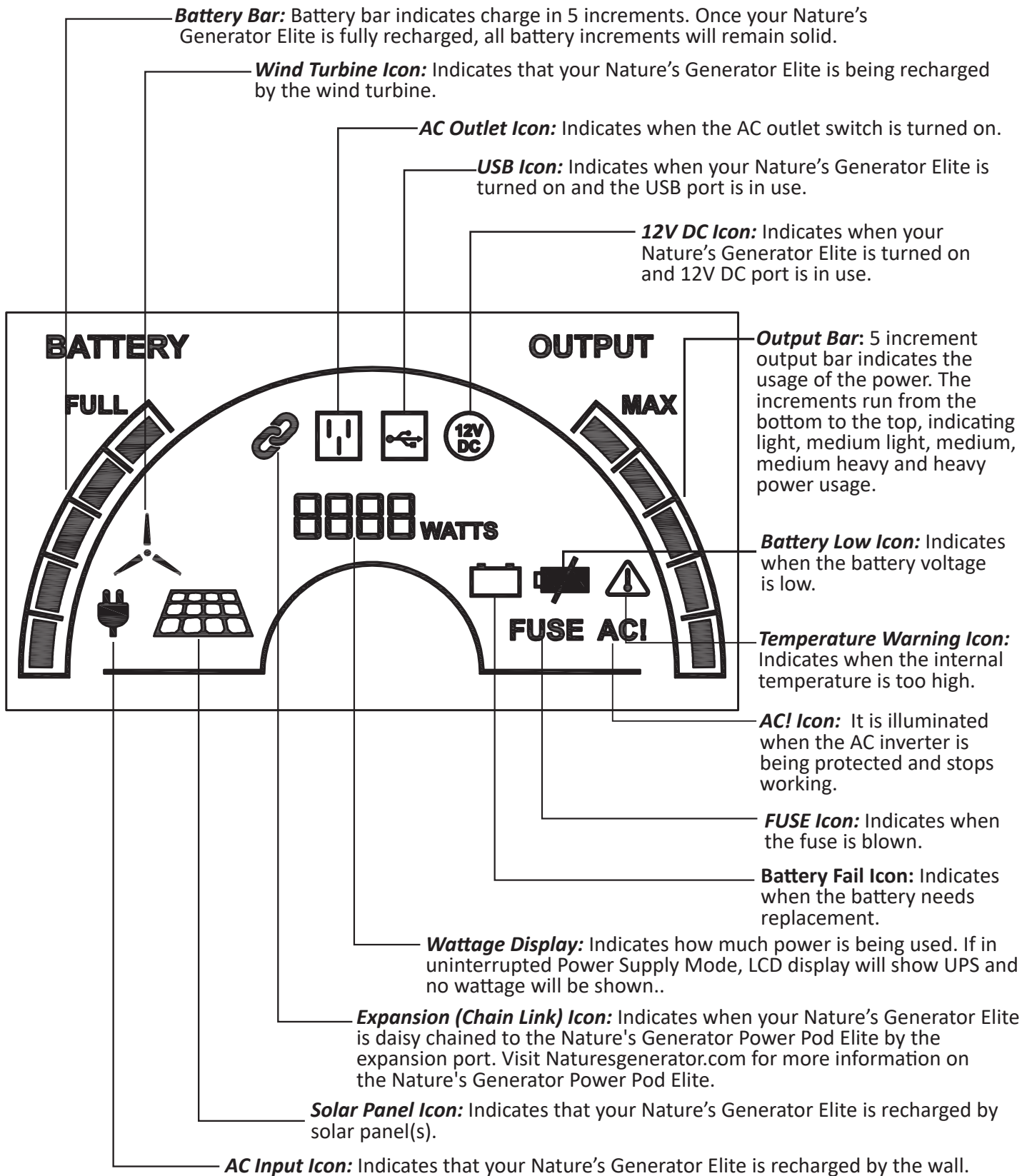
How to Use Your Nature's Generator Elite

1. Press the Main Power Switch to turn on your Nature's Generator Elite. USB ports will be on automatically when the Main Power Switch is on.
2. Press the AC Outlet Switch to turn on the AC outlets and 30 amp outlet. When not using the AC outlets, make sure to turn off AC outlet switch to conserve power.
3. You'll know when the port is turned on when the icon is illuminated on the LCD display.
4. Plug in any of your devices for power.

Uninterrupted Power Supply (UPS) Mode

1. You can recharge your Nature's Generator Elite and recharge your devices at the same time.
2. If you recharge your Nature's Generator Elite at the same time when you power your AC devices from the AC Outlet Ports, your Nature's Generator Elite turns into an Uninterrupted Power Supply. Your AC devices will receive power directly from the AC outlet. If power goes out, your Nature's Generator Elite will already be running and ready to supply power to your connected AC devices.
3. LCD display shows UPS when it is in UPS mode.

How to Read the LCD Display



How to Expand the Capacity of Your Nature's Generator Elite

You can extend the run time of your Nature's Generator Elite by connecting it to the Nature's Generator Power Pod Elite. Visit naturesgenerator.com to purchase a Nature's Generator Power Pod Elite.

1. Open the top cover of the Nature's Generator Power Pod Elite, locate the expansion cable, and run the expansion cable out of Nature's Generator Power Pod Elite through the opening on the back of the Nature's Generator Power Pod Elite.
2. Locate Expansion Port on the back of your Nature's Generator Elite and open the rubber cover.
3. Connect the expansion cable to the expansion port.
4. The Expansion (Chain Link) Icon will be illuminated on the LCD display to indicate it is connected.

You will experience an increased run time of 100% by adding one Nature's Generator Power Pod Elite, 200% by adding two Nature's Generator Power Pod Elites and 300% by adding three Nature's Generator Power Pod Elites.

How to Maintain and Store Your Nature's Generator Elite

Please recharge your Nature's Generator Elite once every four months and store in a ventilated, cool and dry location. If possible, please connect your Nature's Generator Elite to a power source, like the wall outlet, solar panel or wind turbine while in storage to top off the battery voltage. This keeps the battery healthy and prolongs its life. Failure to maintain Nature's Generator Elite by these steps can result in battery damage which will void the product warranty.

Please clean your Nature's Generator Elite with a soft, lint-free cloth. If your Nature's Generator Elite is especially dirty, moisten a soft, lint-free cloth in a weak detergent solution, squeeze the excess moisture from the cloth, then wipe the cabinet with the cloth. Use a clean cloth to dry your Nature's Generator Elite.

How to Install the Cart to Your Nature's Generator Elite

What are included:

Tools



Socket Wrench × 2pcs



10mm Wrench × 1pc

Cart Parts



Spacer × 2pcs



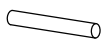
M6 30mm Bolt and Nut × 2pcs



M6 100mm Bolt × 2pcs



Locknut × 2pcs



Axle Bushing × 2pcs



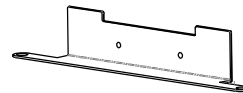
Axle Shaft



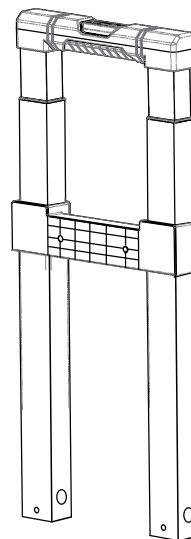
Wheel × 2pcs



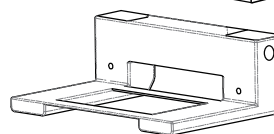
Hub Cap × 2pcs



Generator Bracket

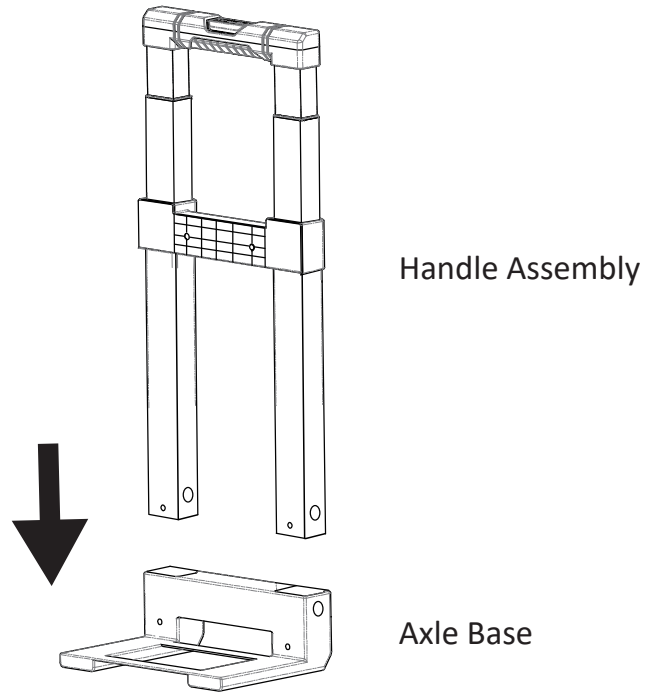


Handle Assembly

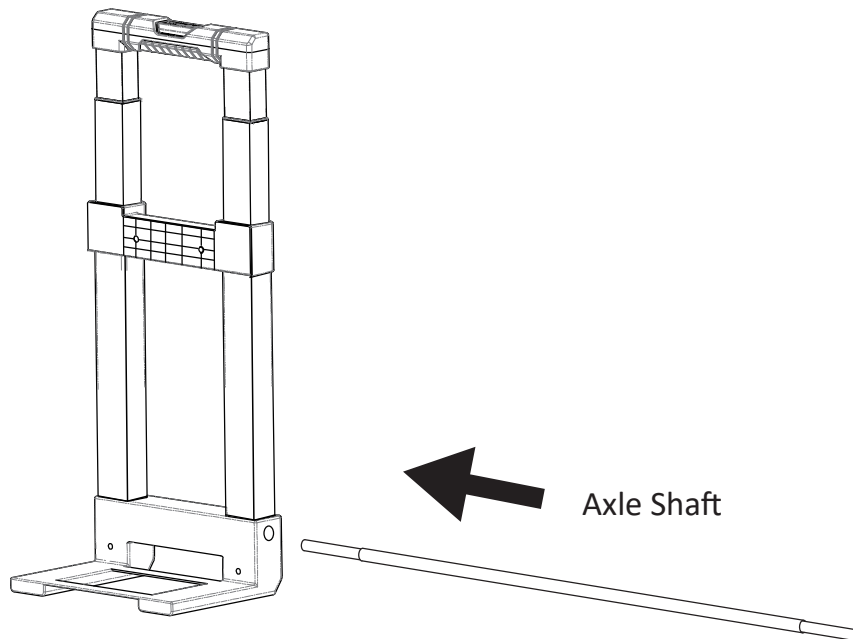


Axle Base

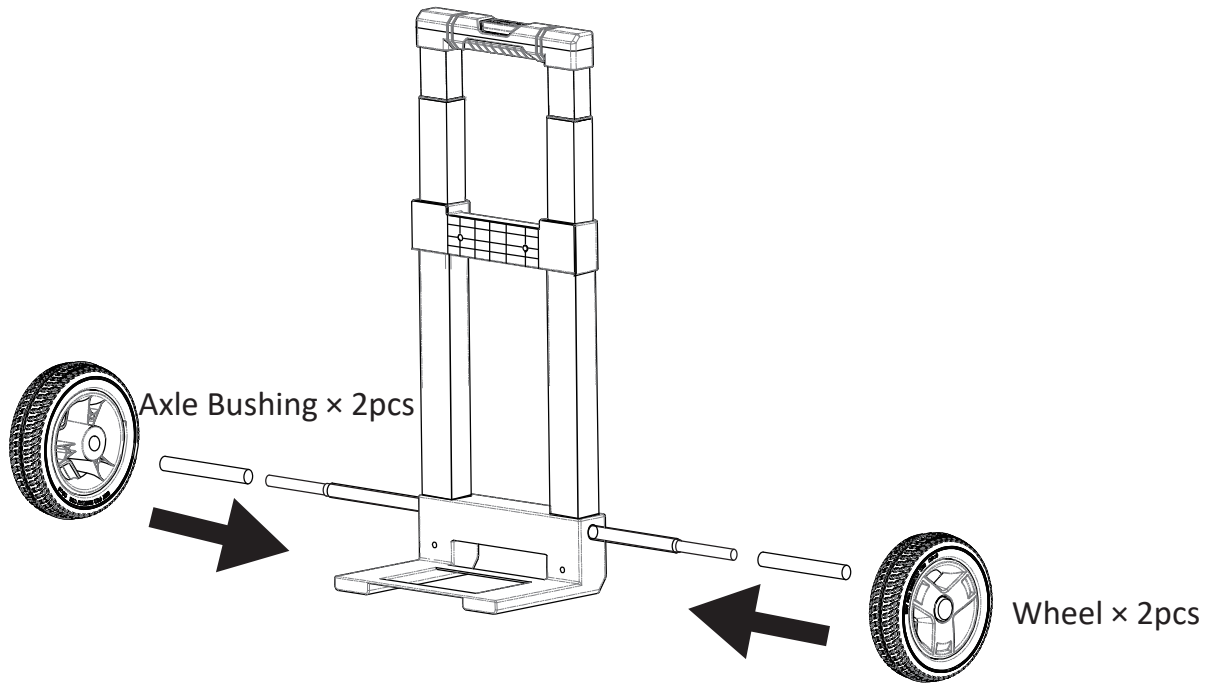
Step 1:



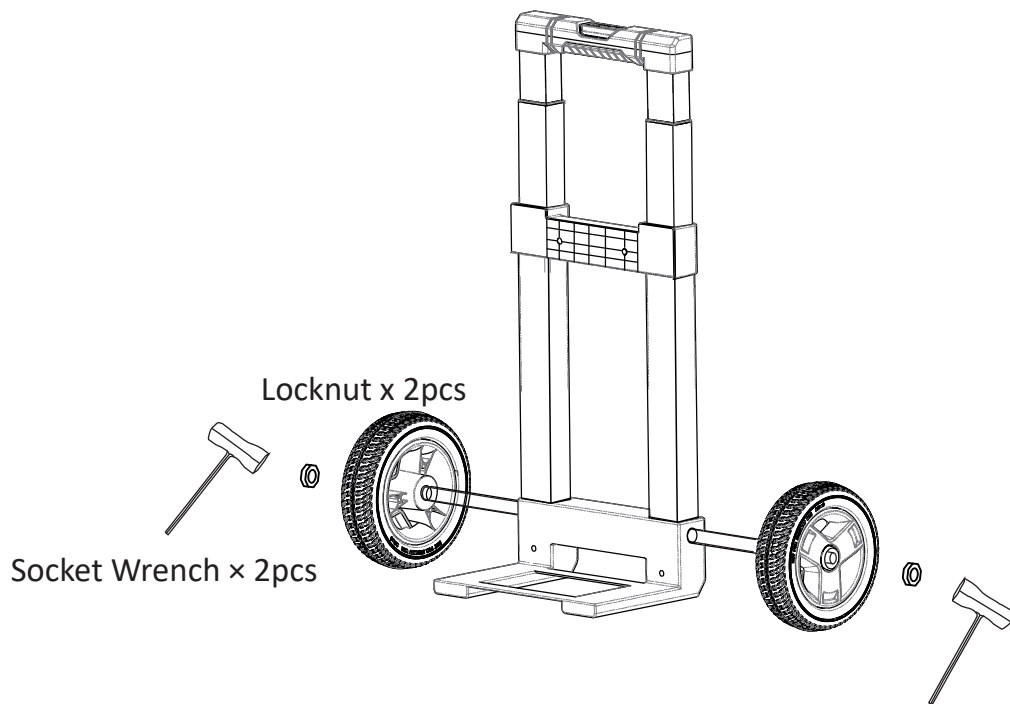
Step 2:



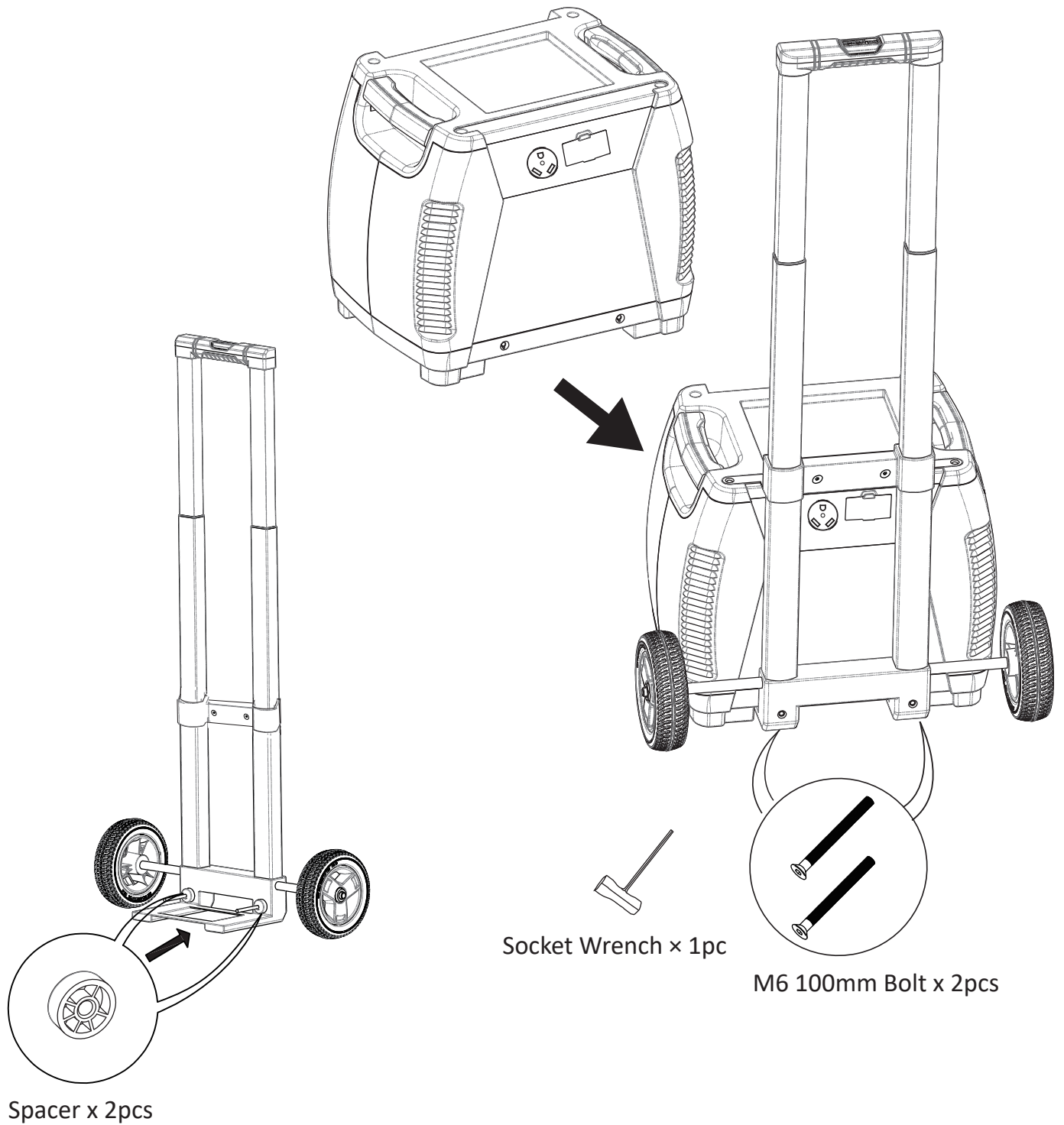
Step 3:



Step 4:

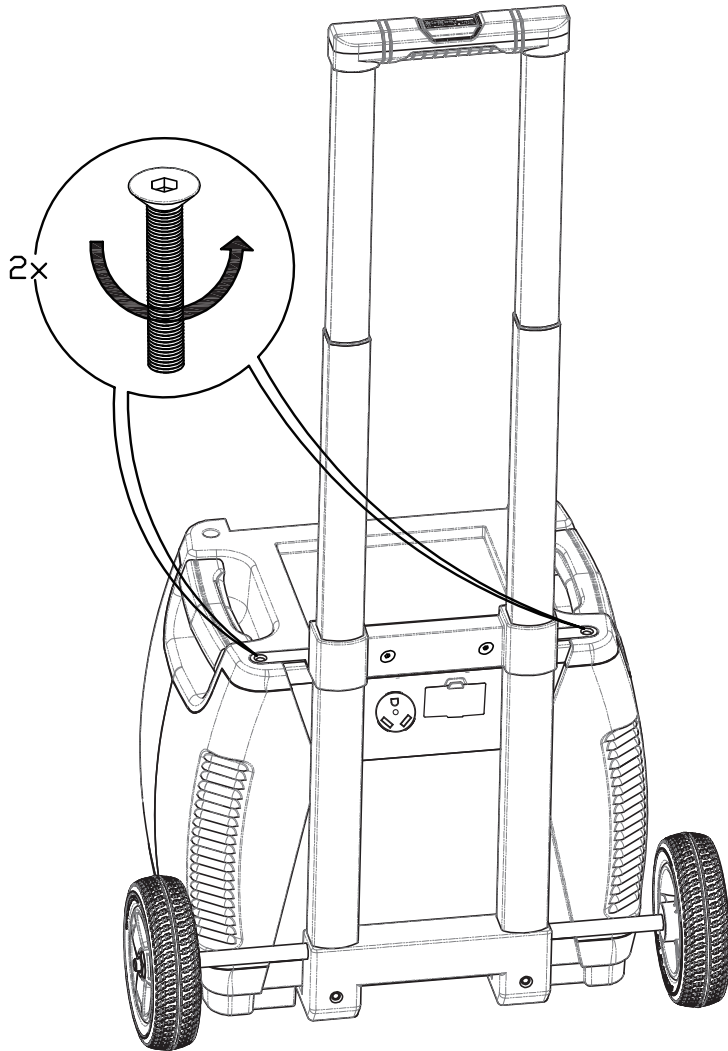


Step 5:



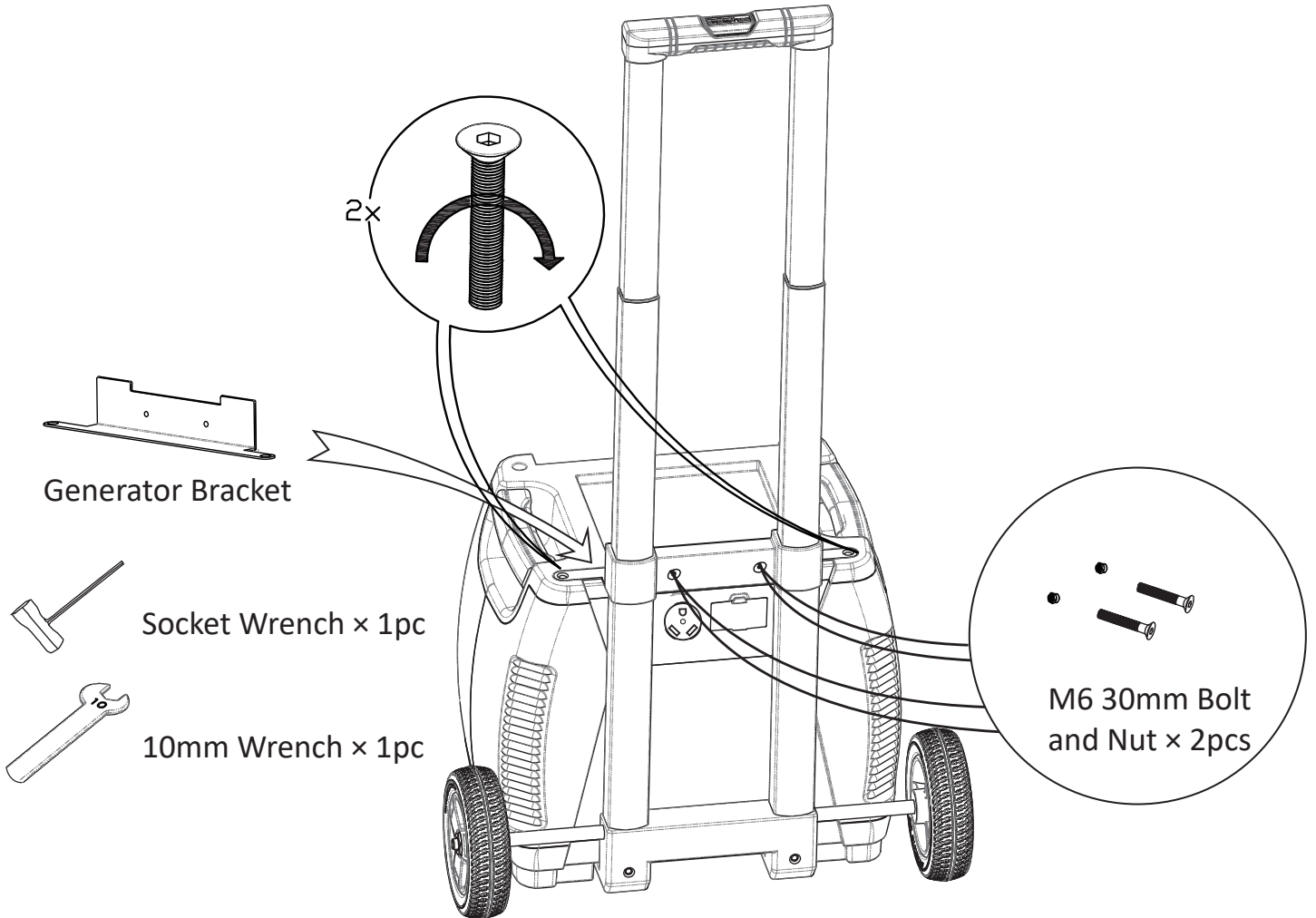
Step 6:

Remove the existing two bolts from the Nature's Generator Elite and set aside for reuse in Step 7.



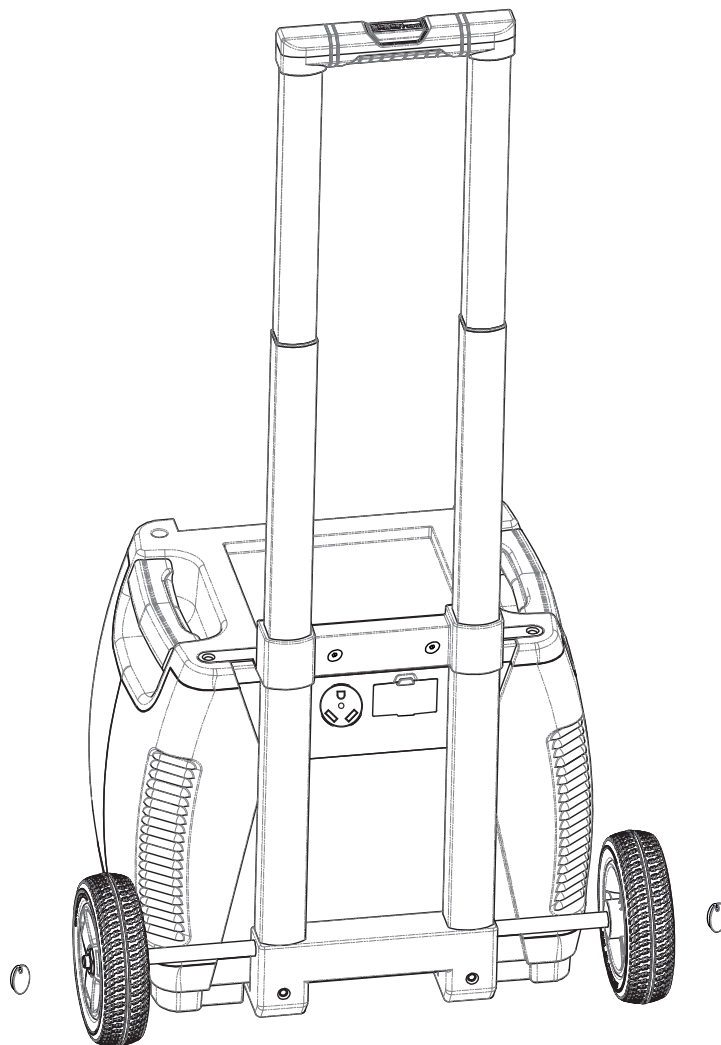
Step 7:

Insert the bolts once Generator Bracket is in place.



Step 8:

After adjusting the distance between the wheel and Nature's Generator Elite, please put the hub caps on the wheels.



Hub Cap x 2pcs

Troubleshooting

My Nature's Generator Elite won't charge when I connect my solar panel to it.

Please follow these steps.

1. Make sure the solar panel is pointed directly towards the sun. It is preferred to position the solar panel facing south. The solar panel may produce little or no power if it is positioned in the shade.
2. Check the cable connection on your Nature's Generator Elite and make sure it is properly connected.
3. The LCD lights up but the battery bar is not running. It means the Nature's Generator Elite has been fully recharged by the solar panel or the solar panel does not have high enough voltage to recharge the Nature's Generator Elite.

My AC device(s) are not powering up from my Nature's Generator Elite.

Please follow these steps:

1. Verify your device is suitable for use with your Nature's Generator Elite. The Nature's Generator Elite AC outputs work only with 120V AC and up to 3600 watts on all outlets combined.
2. Make sure the Main Power Switch is turned on.
3. Check the battery bar. If there are only three bars or less, recharge your Nature's Generator Elite. Some AC devices draw large amounts of power and it is recommended to recharge your Nature's Generator Elite full before heavy use.
4. Make sure the AC outlet switch is turned on. The LED light should be green.
5. If LED light is red, please check the failure icons on the LCD display.
 - a. Battery Fail Icon: replace your battery.
 - b. Battery Low Icon: recharge your battery before use.
 - c. Temperature Warning Icon: The internal temperature is too high. Please let it cool down before trying to use again.
 - d. FUSE Icon: Replace the fuses.
 - e. AC! Icon: The AC inverter is being protected. Unplug your AC device, turn off AC outlet switch and back on to try it again.

My Nature's Generator Elite battery drains fast.

Please follow these steps.

1. Check the wattage of your AC device(s). Some devices like a hair dryer, microwave or vacuum draw large amounts of power and thus the battery drains fast. Please always monitor the wattage output information on the LCD display.
2. When your AC device is not in use, turn off AC outlets of your Nature's Generator Elite to conserve power. The AC outlets consume a considerable amount of power while being in standby mode.
3. When Nature's Generator Elite is not in use, turn off the Main Power Switch and to eliminate unnecessary battery drainage to shut off the LCD display and USB ports.

Technical Specifications

Battery:

Type: AGM Sealed Lead Acid

Capacity: 100Ah (1200Wh)

Self-discharge: Recommend to recharge every 4 months

Inverter:

Output Power: 3600 watt max / 2880 continuous

Output voltage: 120V

Output frequency: 60Hz

Ports:

USB Port: 5V, up to 3A (15W)

12V DC Port: up to 20A (240W max)

Expansion Port: 350A fuse

Charges:

AC Charger: 190W

AC Charger Indicator: red (charging) and green (charged)

Solar Charger: 300watt

Wind Charger: 300watt

General:

Dimensions: 18 x 12 x 15 in (47 x 30 x 38 cm) without cart

23 x 17 x 22 in (57 x 42 x 55 cm) with cart

Operating temperature: 32-104 °F (0-40 °C)

Storage Temperature: 23–111 °F (-5–45 °C)

Weight: 120 lbs (54.4 kg)

Limited Warranty

One Year Limited Warranty

Huntkey USA Inc. warrants to you, the original purchaser of this new product, that the product shall be free of defects in the original manufacture of the material or workmanship for a period of one (1) year from the original date of your purchase of the product ("Warranty Period"). This product must be purchased from an authorized dealer and packaged with this warranty statement. This warranty does not cover refurbished product.

What does this Warranty Cover?

During the Warranty Period, if the original manufacture of the material or workmanship of the product is determined to be defective by an authorized dealer, Huntkey USA Inc. will (at its sole option): (1) repair the product with new or rebuilt parts; or (2) replace the product at no charge with new or rebuilt comparable products or parts. Products and parts replaced under this warranty become the property of Nature's Generator Elite and are not returned to you. If service of products or parts are required after the Warranty Period expires, you must pay all labor and parts charges. This warranty lasts as long as you own your product during the Warranty Period. Warranty coverage terminates if you sell or otherwise transfer the product.

How to Obtain Warranty Service?

Please call 1-800-975-7909 Monday through Friday, 9:00AM to 5:00PM PST. You will be provided with a Return Merchandise Authorization (RMA) number and return instructions. Send product to:

Huntkey USA, Inc.
3130 Paseo Mercado Suite 106
Oxnard, CA 93036

Please include the RMA number prominently displayed on the shipping box and include your name, phone number and address with the product inside the box.

Where is the Warranty Valid?

This warranty is valid only to the original purchaser of the product in North America (United States and Canada).

What does the Warranty not Cover?

This warranty does not cover:

- Cosmetic damage
- Damage due to force majeure, such as lightning strikes, fire, flood, etc..
- Accident
- Misuse
- Abuse
- Negligence
- Commercial use
- Modification of any part of the product
- Damage due to incorrect operation or maintenance
- Connection to an incorrect voltage supply
- Attempted repair by anyone other than a facility authorized by Huntkey USA Inc. to service the product
- Products sold as is or with all faults
- Consumables, such as batteries
- Products where the factory applied serial number has been altered or removed

REPAIR REPLACEMENT AS PROVIDED UNDER THIS WARRANTY IS YOUR EXCLUSIVE REMEDY. HUNTKEY USA INC. SHALL NOT BE LIABLE FOR ANY INCIDENTAL OR CONSEQUENTIAL DAMAGES FOR THE BREACH OF ANY EXPRESS OR IMPLIED WARRANTY ON THIS PRODUCT, INCLUDING, BUT NOT LIMITED TO LOST DATA, LOSS OF USE OF YOUR PRODUCT, LOST BUSINESS OR LOST PROFITS. HUNTKEY USA INC. PRODUCTS MAKES NO OTHER EXPRESS WARRANTIES WITH RESPECT TO THE PRODUCT, ALL EXPRESS AND IMPLIED WARRANTIES FOR THE PRODUCT, INCLUDING, BUT NOT LIMITED TO, ANY IMPLIED WARRANTIES OF AND CONDITIONS OF MERCHANTABILITY AND FITNESS FOR A PARTICULAR PURPOSE, ARE LIMITED IN DURATION TO THE WARRANTY PERIOD SET FORTH ABOVE AND NO WARRANTIES, WHETHER EXPRESS OR IMPLIED, WILL APPLY AFTER THE WARRANTY PERIOD. SOME STATES, PROVINCES AND JURISDICTIONS DO NOT ALLOW LIMITATIONS ON HOW LONG AN IMPLIED WARRANTY LASTS, SO THE ABOVE LIMITATION MAY NOT APPLY TO YOU. THIS WARRANTY GIVES YOU SPECIFIC LEGAL RIGHTS, AND YOU MAY ALSO HAVE OTHER RIGHTS, WHICH VARY FROM STATE TO STATE OR PROVINCE TO PROVINCE.

Contact Huntkey USA Inc:

For customer service please call 1-800-975-7909

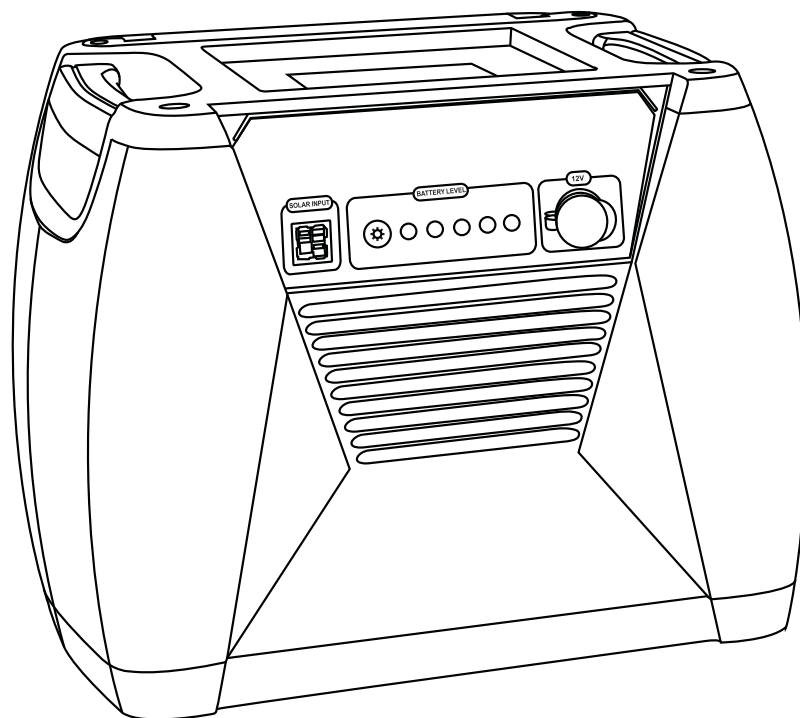
Huntkey USA, Inc.

3130 Paseo Mercado Suite 106

Oxnard, CA 93036



Nature's Generator Power Pod Elite User Manual



Nature's Generator Power Pod Elite

Contents

Important Safety Instructions	1
- Warning	1
- Caution	2
Introduction	3
- Unpacking Your Nature's Generator Power Pod Elite	3
- Get to Know Your Nature's Generator Power Pod Elite	4
Using Your Nature's Generator Power Pod Elite	6
- How to Recharge Your Nature's Generator Power Pod Elite	6
- How to Install Your Nature's Generator Power Pod Elite on Top of Nature's Generator Elite	7
- How to Connect Your Nature's Generator Power Pod Elite to the Nature's Generator Elite	14
- How to Maintain and Store Your Nature's Generator Power Pod Elite	14
Troubleshooting	14
Technical Specifications	15
Limited Warranty	16

Important Safety Instructions

1. Read these instructions.
2. Keep these instructions.
3. Take note of all warnings.
4. Follow all instructions.
5. Do not use this apparatus near water.
6. Do not block any ventilation openings.
7. Do not use near flammable gases or fumes or other apparatus that produce a large amount of heat.
8. Only use attachments/accessories specified by the manufacturer.
9. Use only with the cart specified by the manufacturer, or sold with the apparatus. When a cart is used, use caution when moving the cart/apparatus combination to avoid injury from tip-over.
10. Refer all servicing to qualified service personnel. Servicing is required when the apparatus has been damaged in any way, such as power-supply cable or plug is damaged, liquid has been spilled or objects have fallen into the apparatus, the apparatus has been exposed to rain or moisture, does not operate normally, or has been dropped.
11. The apparatus should not be exposed to dripping or splashing, and no objects filled with liquids, such as vases, should be placed on the apparatus.

Warning

Explosion hazard

Do not burn or incinerate this item. This item may explode, causing personal injury or damage. Do not use near flammable gases or fumes or other apparatus that produces large amounts of heat.

Energy and burn hazard

Nature's Generator Power Pod Elite has a sealed lead acid battery, which can present a risk of burn from high current because of short-circuit.

Replacement parts

When replacement parts are required, make sure that the service technician uses replacement parts specified by the manufacturer that have the same characteristics as the original part. Unauthorized substitutions may result in fire, electric shock, personal injury, or other hazards.

Safety check

After completing any service or repair to this device, ask the service technician to perform routine safety checks to determine that your Nature's Generator Power Pod Elite is in correct operating condition.

Servicing

These servicing instructions are for use by qualified service personnel only. To reduce the risk of electric shock, do not perform any servicing other than that contained in the operating instructions unless you are qualified to do so.

Caution

Damage requiring service

Stop using the Nature's Generator Power Pod Elite and refer servicing to qualified service personnel under the following conditions:

- If liquid has been spilled or objects have fallen into your Nature's Generator Power Pod Elite.
- If your Nature's Generator Power Pod Elite has been exposed to rain or water.
- If your Nature's Generator Power Pod Elite has been dropped or damaged in any way.
- When your Nature's Generator Power Pod Elite exhibits a distinct change in performance.

Cold weather

Cold temperatures can impact Nature's Generator Power Pod Elite performance. If you are in area that will be consistency below freezing, we recommend keeping your Nature's Generator Power Pod Elite in an insulated location and connected to a solar panel.

Recycling and Disposal

Your Nature's Generator Power Pod Elite may contain materials that are regulated for environmental reasons. Your Nature's Generator Power Pod Elite also contains materials that can be recycled and reused. To help protect the environment, contact your local authorities for information about disposal or recycling and about finding a recycler in your area before you dispose of your Nature's Generator Power Pod Elite.

Introduction

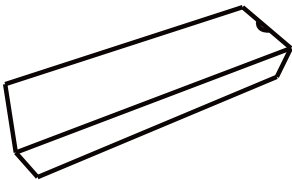
Congratulations on your new Nature's Generator Power Pod Elite, a great expansion to your Nature's Generator Elite.

Unpacking Your Nature's Generator Power Pod Elite

1. Nature's Generator Power Pod Elite



2. Accessory Box

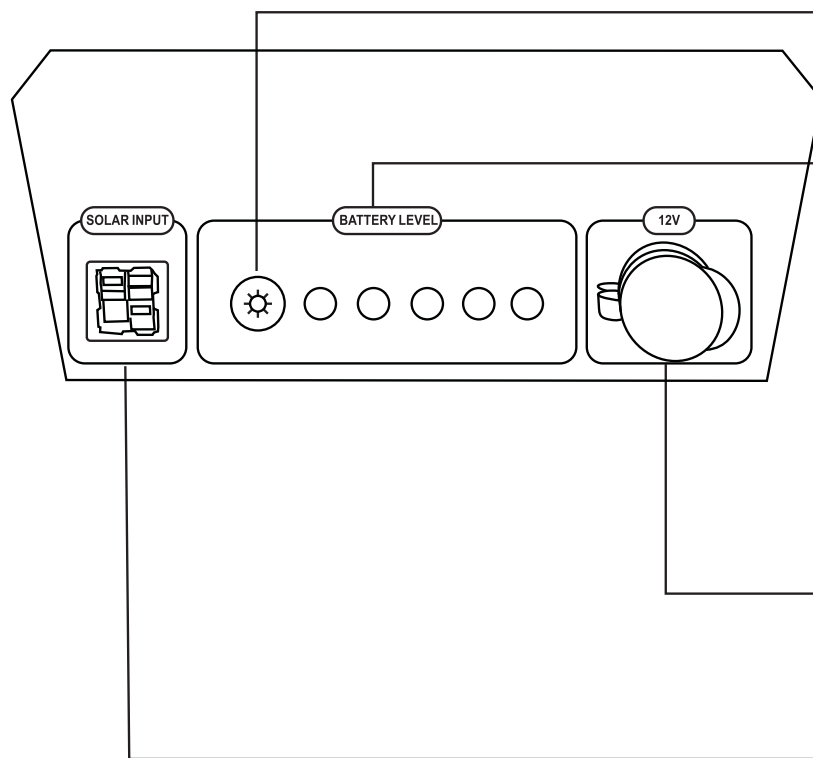


3. This user guide



Get to Know Your Nature's Generator Power Pod Elite

Front Panel



LED Light Button:

Press it to show the battery charge level.

LED Lights:

When facing the front of the Nature's Generator Power Pod Elite, from left to right: the first light will show green, which indicates a 20% charge. The second light will show green, which indicates a 40% charge, the third light will show green which indicates a 60% charge and the fourth light will show green which indicates a 80% charge and finally the fifth light will show green which indicates a 100% charge.

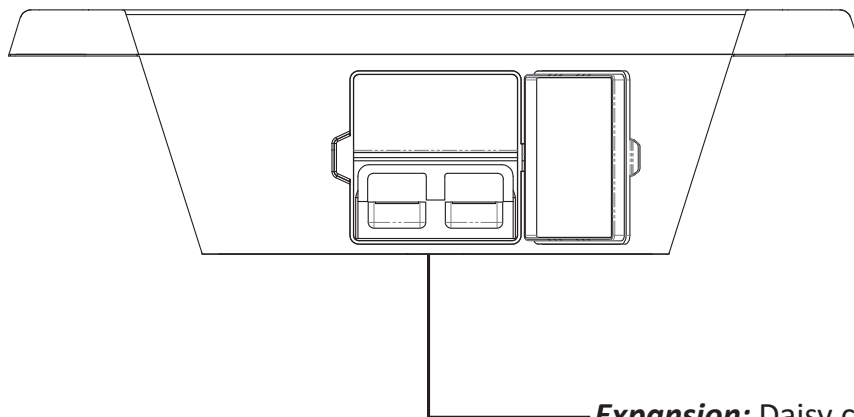
12V Port:

12V DC port is designed to provide up to 240 watts of power.

Solar Input:

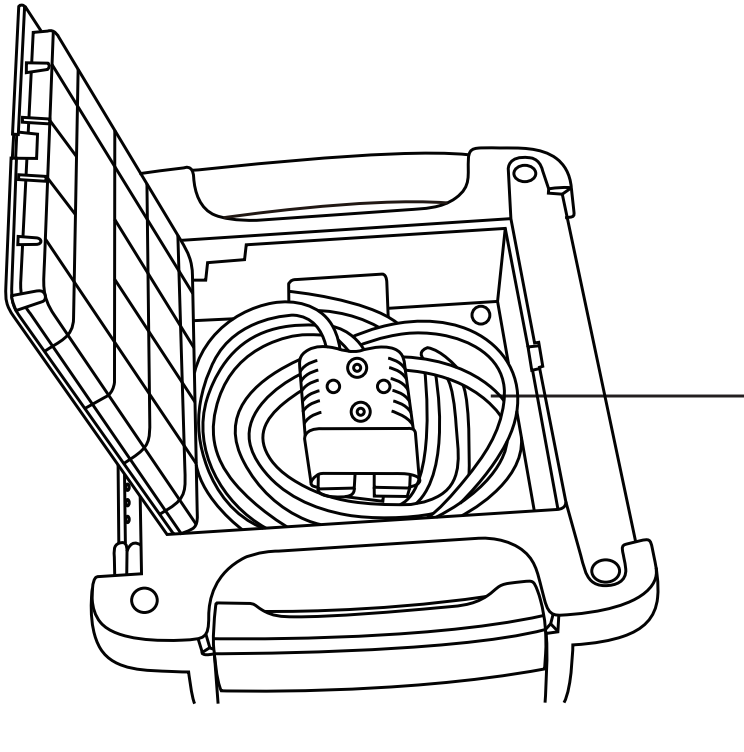
To connect with solar panel(s). This Anderson port is designed to be used with up to 300 watts of solar power.

Back Panel



Expansion: Daisy chain connector. There is open space on the top of the connector for the expansion cable.

Top Compartment



Expansion cable: 35 inch long expansion cable.

Using Your Nature's Generator Power Pod Elite

How to Recharge Your Nature's Generator Power Pod Elite

Recharging from Solar Panels

1. Place your solar panel where it will get as much direct sunlight as possible. While direct sunlight is always preferred, solar panels should be connected at all times to provide a consistent trickle charge to your battery. Solar panels will also send a charge your unit while in hazy or overcast skies.
2. Insert solar panel plug into Solar Input port on the front of Nature's Generator Power Pod Elite. You will know it is recharging when LED lights start running. The LED lights remain solid when the battery is full or there is not enough power from solar panel.
3. It takes about 15 to 25 hours to recharge Nature's Generator Power Pod Elite if using 100 watt solar panel, and also depends on the the strength of the sunlight.
4. To increase the recharging speed, you can daisy chain multiple solar panels in parallel connection. The Solar Input port can handle up to 300 watts of solar power. In other words, three of 100 watts solar panel can be chained in parallel before connecting to the Solar Input port.

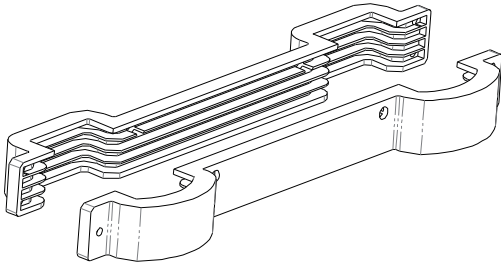
Recharging from Nature's Generator Elite

1. Connect Nature's Generator Power Pod Elite to Nature's Generator Elite (not included in the box) by the expansion cable.
2. When Nature's Generator Elite is being recharged by solar, wind or wall, Nature's Generator Power Pod Elite will be recharged at the same time.
3. The LED lights do not run while Nature's Generator Power Pod Elite is recharged from Nature's Generator Elite, but you can press the LED Light Button to check battery level.

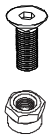
How to Install Your Nature's Generator Power Pod Elite on Top of Nature's Generator Elite

What is in the accessory box

1. Brackets



2. Bolts and nuts

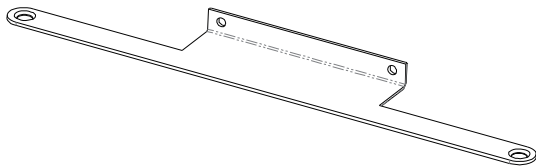


A: 16mm x 2pcs

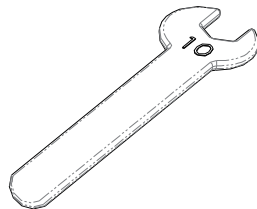
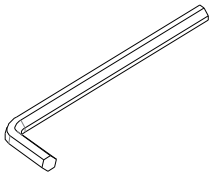


B: 25mm x 2pcs

3. Power Pod Elite Bar

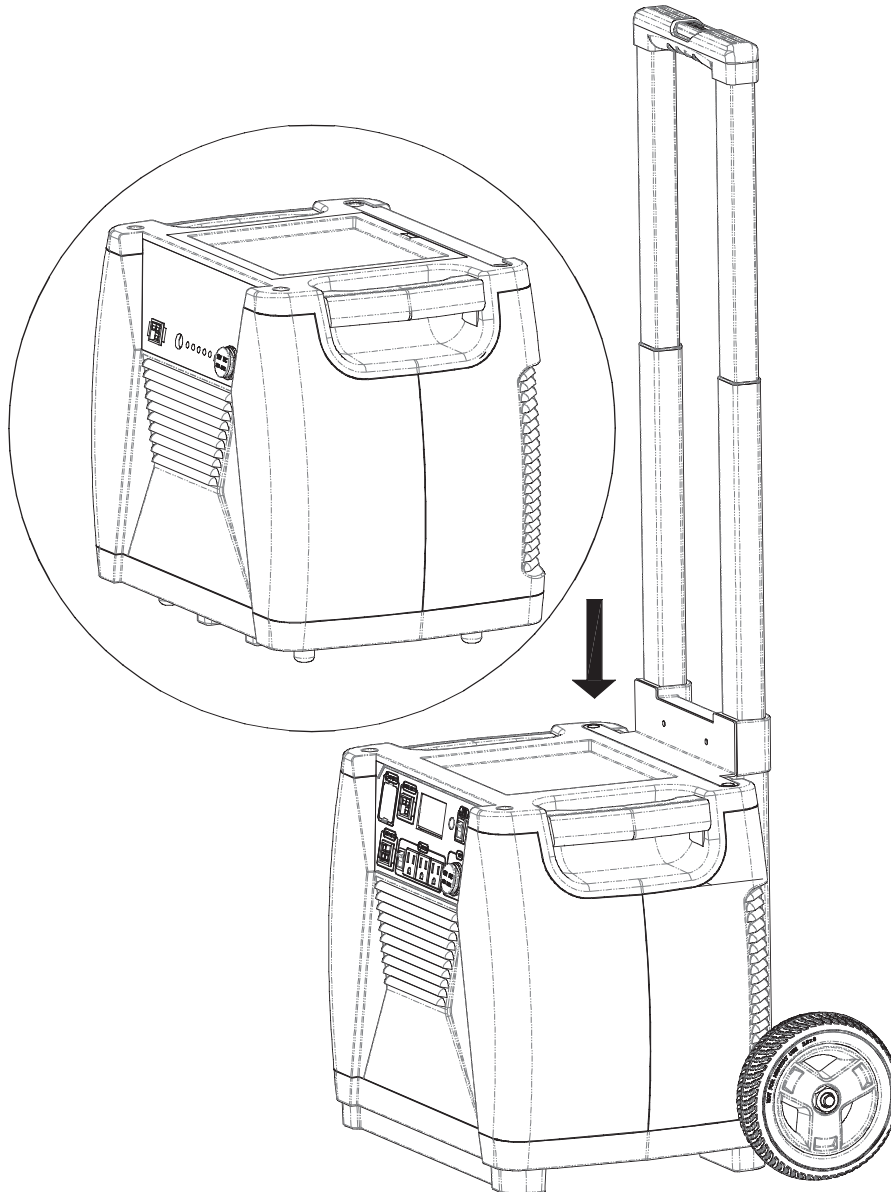


4. Tools

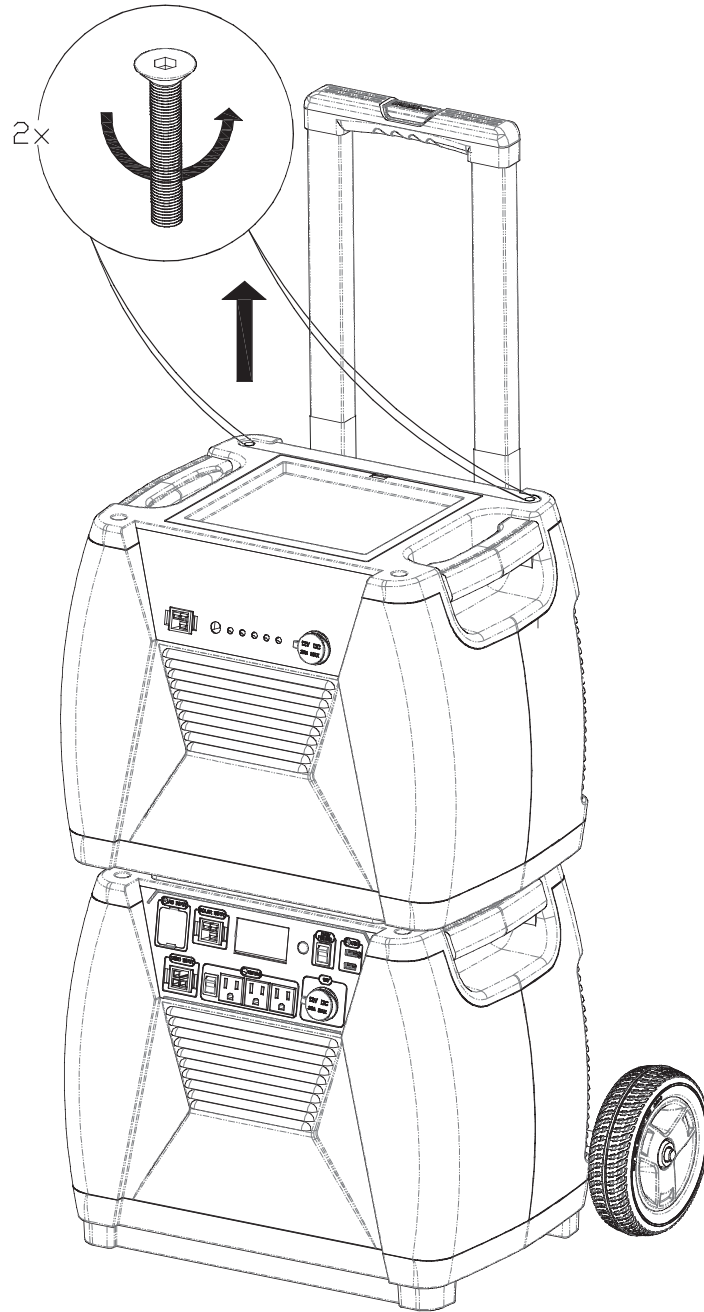


Installing Procedures

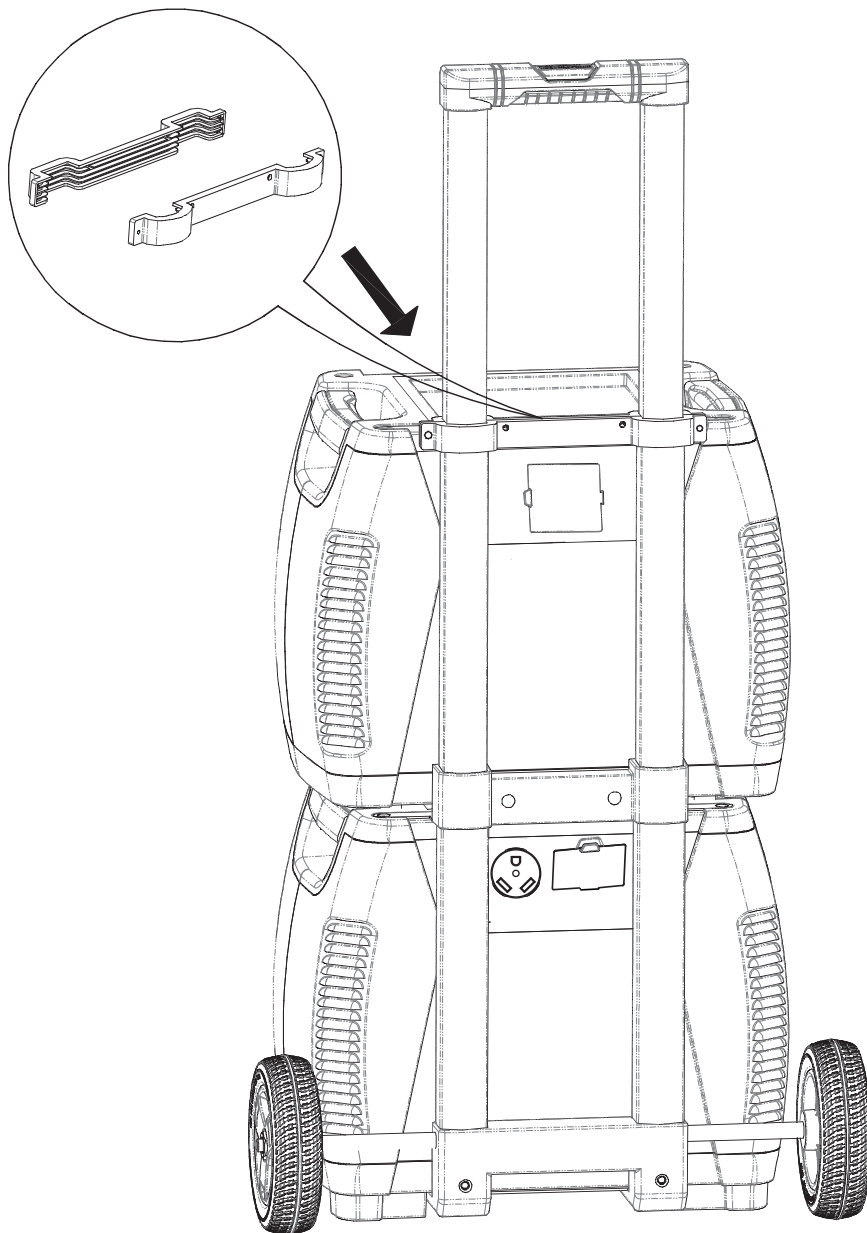
Step 1: Lift Nature's Generator Power Pod Elite and set it on top of Nature's Generator Elite. Make sure the feet of Nature's Generator Power Pod Elite sit between the handle and top case of Nature's Generator Elite.



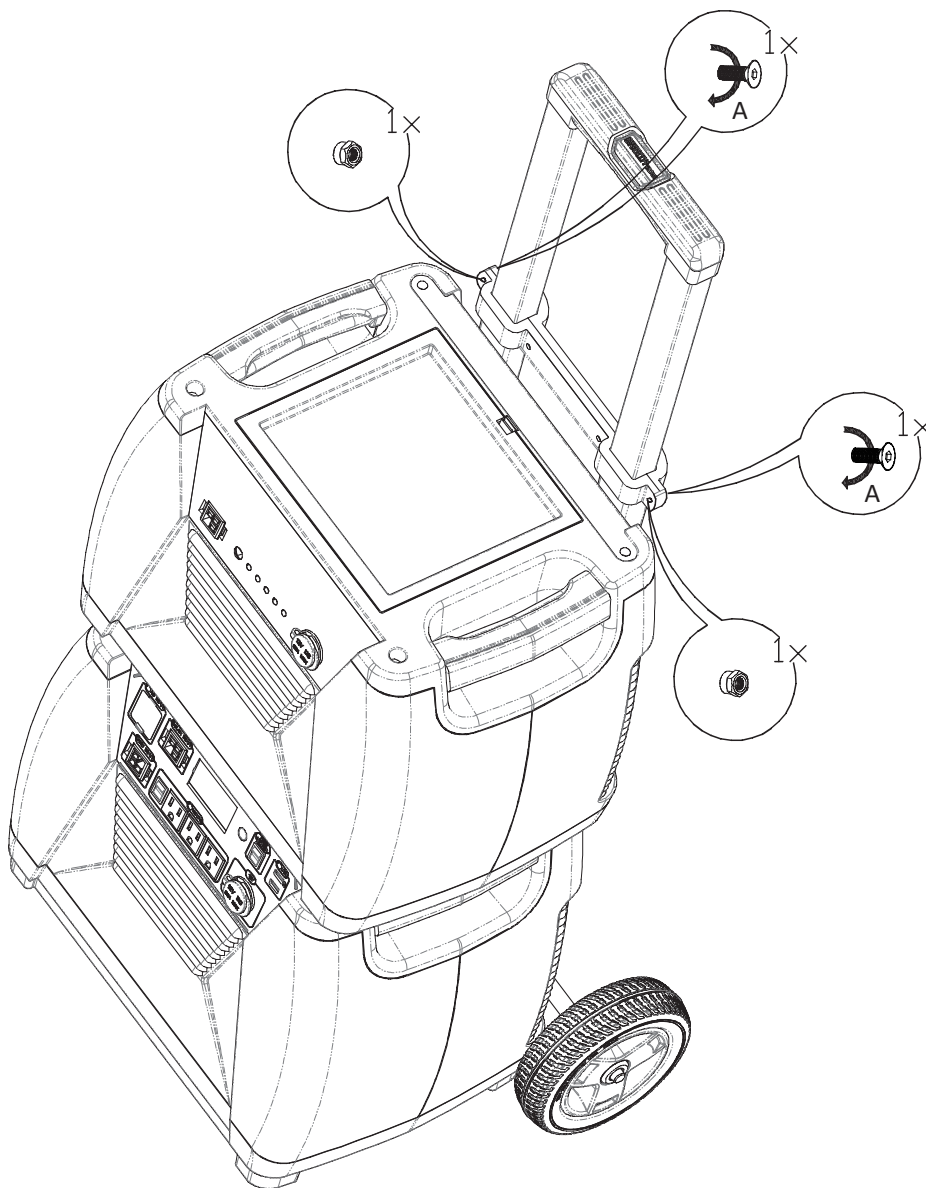
Step 2: Remove two bolts from Nature's Generator Power Pod Elite with included the Allen wrench. Put these two bolts aside for now as they will be reused in step 5 below.



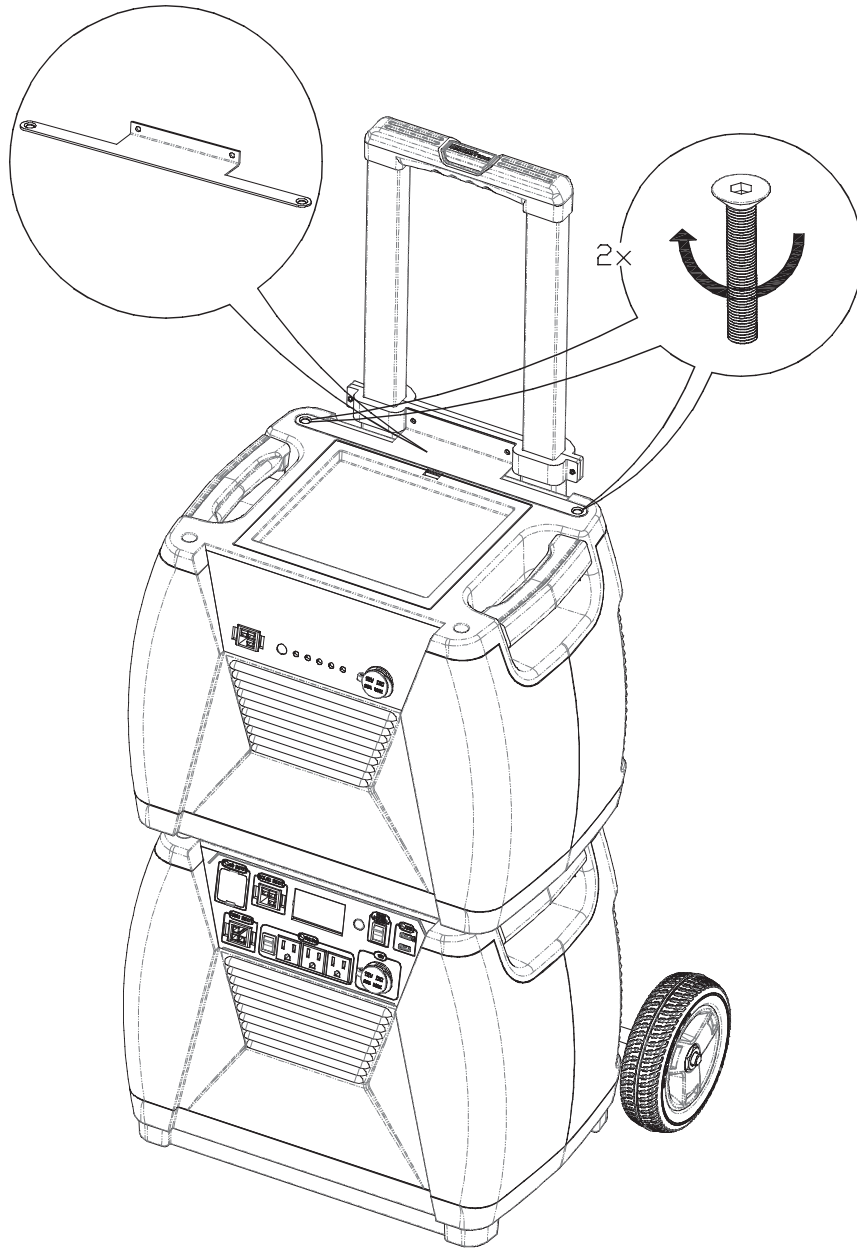
Step 3: Put the brackets on the cart. Bracket will match up with the shape of the cart frame. The curved part of the bracket should be placed on the back of the cart and the straight part of the bracket should be placed on the front of the cart.



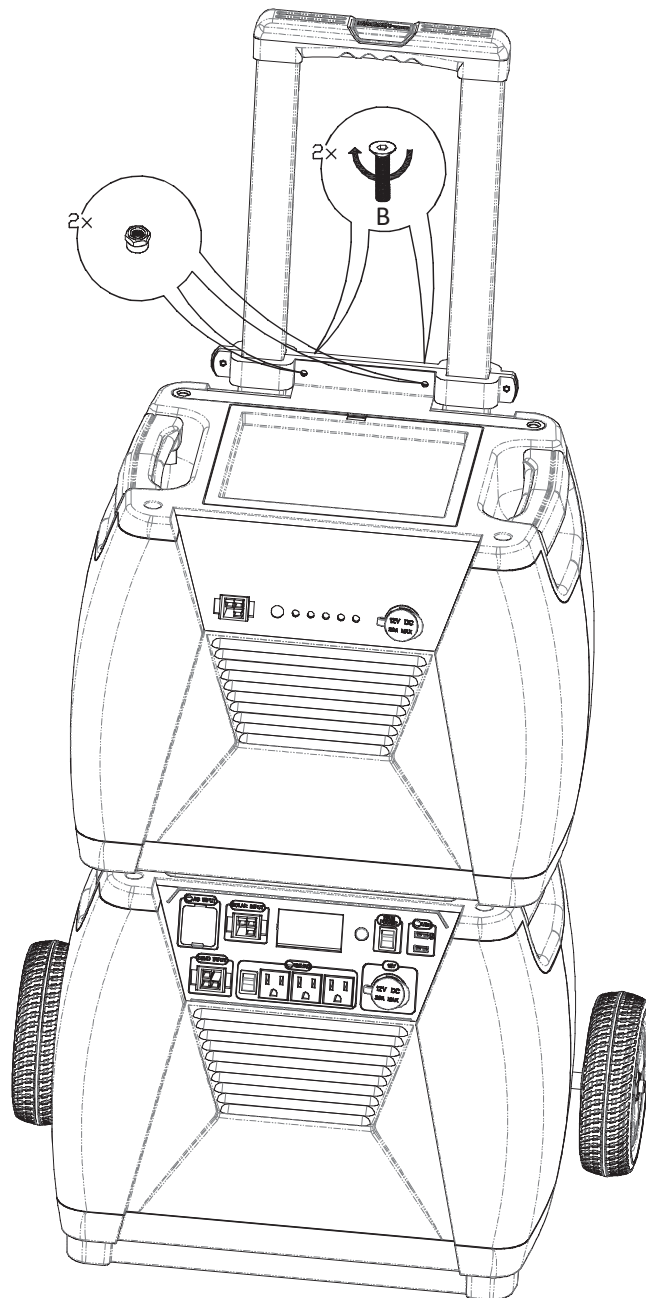
Step 4: Use type A bolts and nuts to secure the two brackets. Use wrench to hold the nuts the Allen wrench to tighten the bolts.



Step 5: Place Nature's Generator Power Pod Elite on the top of Nature's Generator Elite. Insert the bolts that were removed in step 2 by the Allen wrench.



Step 6: Use the type B bolts and nuts to secure the brackets and bar. Use the wrench to hold the nuts and the Allen wrench to tighten the bolts.



How to Connect Your Nature's Generator Power Pod Elite to Nature's Generator Elite

You can connect your Nature's Generator Power Pod Elite to your Nature's Generator Elite to extend the overall run time.

1. Open the top cover of the Nature's Generator Power Pod Elite, locate the expansion cable, and run the expansion cable out of Nature's Generator Power Pod Elite through the opening on the back of the Nature's Generator Power Pod Elite.
2. Locate expansion port on the back of your Nature's Generator Elite and open the rubber cover.
3. Connect the expansion cable to the expansion port. Due to the amount of voltage running between the Nature's Generator Elite and Nature's Generator Power Pod Elite, this is a very tight fit to ensure no electrical shock while connecting.
4. The Expansion (chain link) Icon will be illuminated on the display of Nature's Generator Elite to indicate Nature's Generator Power Pod Elite is connected.

You will experience an increased run time of 100% by adding one Nature's Generator Power Pod Elite, 200% by adding two Nature's Generator Power Pod Elites and 300% by adding three Nature's Generator Power Pod Elites.

How to Maintain and Store Your Nature's Generator Power Pod Elite

Please recharge your Nature's Generator Power Pod Elite once every four months and store in a ventilated, cool and dry location. If possible, please connect your Nature's Generator Power Pod Elite to the solar panel while in storage to top off the battery voltage. This keeps the battery healthy and prolongs its life. Failure to maintain Nature's Generator Power Pod Elite by these steps can result in battery damage which will void the product warranty.

Please clean your Nature's Generator Power Pod Elite with a soft, lint-free cloth. If your Nature's Generator Power Pod Elite is especially dirty, moisten a soft, lint-free cloth in a weak detergent solution, squeeze the excess moisture from the cloth, then wipe the cabinet with the cloth. Use a clean cloth to dry your Nature's Generator Power Pod Elite.

Troubleshooting

My Nature's Generator Power Pod Elite won't charge when I connect my solar panel to it.

Please follow these steps.

1. Make sure the solar panel is pointed directly toward the sun. It is preferred to position the solar panel facing south. The solar panel may produce little or no power if it is positioned in shade.
2. Check the cable connection on your Nature's Generator Power Pod Elite and make sure it is properly connected.
3. If the LEDs light up, but are not running. It means Nature's Generator Power Pod Elite is being fully charged by the solar panel or solar panel does not have high enough voltage to recharge the Nature's Generator Power Pod Elite.

Technical Specifications

Battery:

Type: AGM Sealed Lead Acid

Capacity: 100Ah (1200Wh)

Self-discharge: Recommend to recharge it every 4 months

Ports:

12V DC Port: up to 20A (240W max)

Expansion Cable: 35 inches

Charges:

Solar Charger: 300watt

Battery Level LED lights: 5 LED lights

General:

Dimensions: 18 x 12 x 15 in (47 x 30 x 38 cm)

Operating temperature: 32-104 °F (0-40 °C)

Storage Temperature: 23–111 °F (-5–45 °C)

Weight: 92 lbs (42.0kg)

Limited Warranty

One Year Limited Warranty

Huntkey USA Inc. warrants to you, the original purchaser of this new product, that the product shall be free of defects in the original manufacture of the material or workmanship for a period of one (1) year from the original date of your purchase of the product (“Warranty Period”). This product must be purchased from an authorized dealer and packaged with this warranty statement. This warranty does not cover refurbished product.

What does this Warranty Cover?

During the Warranty Period, if the original manufacture of the material or workmanship of the product is determined to be defective by an authorized dealer, Huntkey USA Inc. will (at its sole option): (1) repair the product with new or rebuilt parts; or (2) replace the product at no charge with new or rebuilt comparable products or parts. Products and parts replaced under this warranty become the property of Huntkey USA Inc. and are not returned to you. If service of products or parts are required after the Warranty Period expires, you must pay all labor and parts charges. This warranty lasts as long as you own your product during the Warranty Period. Warranty coverage terminates if you sell or otherwise transfer the product.

How to Obtain Warranty Service?

Please call 1-800-975-7909 Monday through Friday, 9:00 AM to 5:00 PM PST. You will be provided with a Return Merchandise Authorization (RMA) number and return instructions. Send product to:

Huntkey USA, Inc.
3130 Paseo Mercado Suite 106
Oxnard, CA 93036

Please include the RMA number prominently displayed on the shipping box and include your name, phone number and address with the product inside the box.

Where is the Warranty Valid?

This warranty is valid only to the original purchaser of the product in North America (United States and Canada)

What does the Warranty not Cover?

This warranty does not cover:

- Cosmetic damage
- Damage due to force majeure, such as lightning strikes, fire, flood, etc..
- Accident
- Misuse
- Abuse
- Negligence
- Commercial use
- Modification of any part of the product
- Damage due to incorrect operation or maintenance
- Connection to an incorrect voltage supply
- Attempted repair by anyone other than a facility authorized by Huntkey USA Inc. to service the product
- Products sold as is or with all faults
- Consumables, such as batteries
- Products where the factory applied serial number has been altered or removed

REPAIR REPLACEMENT AS PROVIDED UNDER THIS WARRANTY IS YOUR EXCLUSIVE REMEDY. HUNTKEY USA INC. SHALL NOT BE LIABLE FOR ANY INCIDENTAL OR CONSEQUENTIAL DAMAGES FOR THE BREACH OF ANY EXPRESS OR IMPLIED WARRANTY ON THIS PRODUCT, INCLUDING, BUT NOT LIMITED TO LOST DATA, LOSS OF USE OF YOUR PRODUCT, LOST BUSINESS OR LOST PROFITS. HUNTKEY USA INC. PRODUCTS MAKES NO OTHER EXPRESS WARRANTIES WITH RESPECT TO THE PRODUCT, ALL EXPRESS AND IMPLIED WARRANTIES FOR THE PRODUCT, INCLUDING, BUT NOT LIMITED TO, ANY IMPLIED WARRANTIES OF AND CONDITIONS OF MERCHANTABILITY AND FITNESS FOR A PARTICULAR PURPOSE, ARE LIMITED IN DURATION TO THE WARRANTY PERIOD SET FORTH ABOVE AND NO WARRANTIES, WHETHER EXPRESS OR IMPLIED, WILL APPLY AFTER THE WARRANTY PERIOD. SOME STATES, PROVINCES AND JURISDICTIONS DO NOT ALLOW LIMITATIONS ON HOW LONG AN IMPLIED WARRANTY LASTS, SO THE ABOVE LIMITATION MAY NOT APPLY TO YOU. THIS WARRANTY GIVES YOU SPECIFIC LEGAL RIGHTS, AND YOU MAY ALSO HAVE OTHER RIGHTS, WHICH VARY FROM STATE TO STATE OR PROVINCE TO PROVINCE.

Contact Huntkey USA Inc:

For customer service please call 1-800-975-7909

Huntkey USA, Inc.

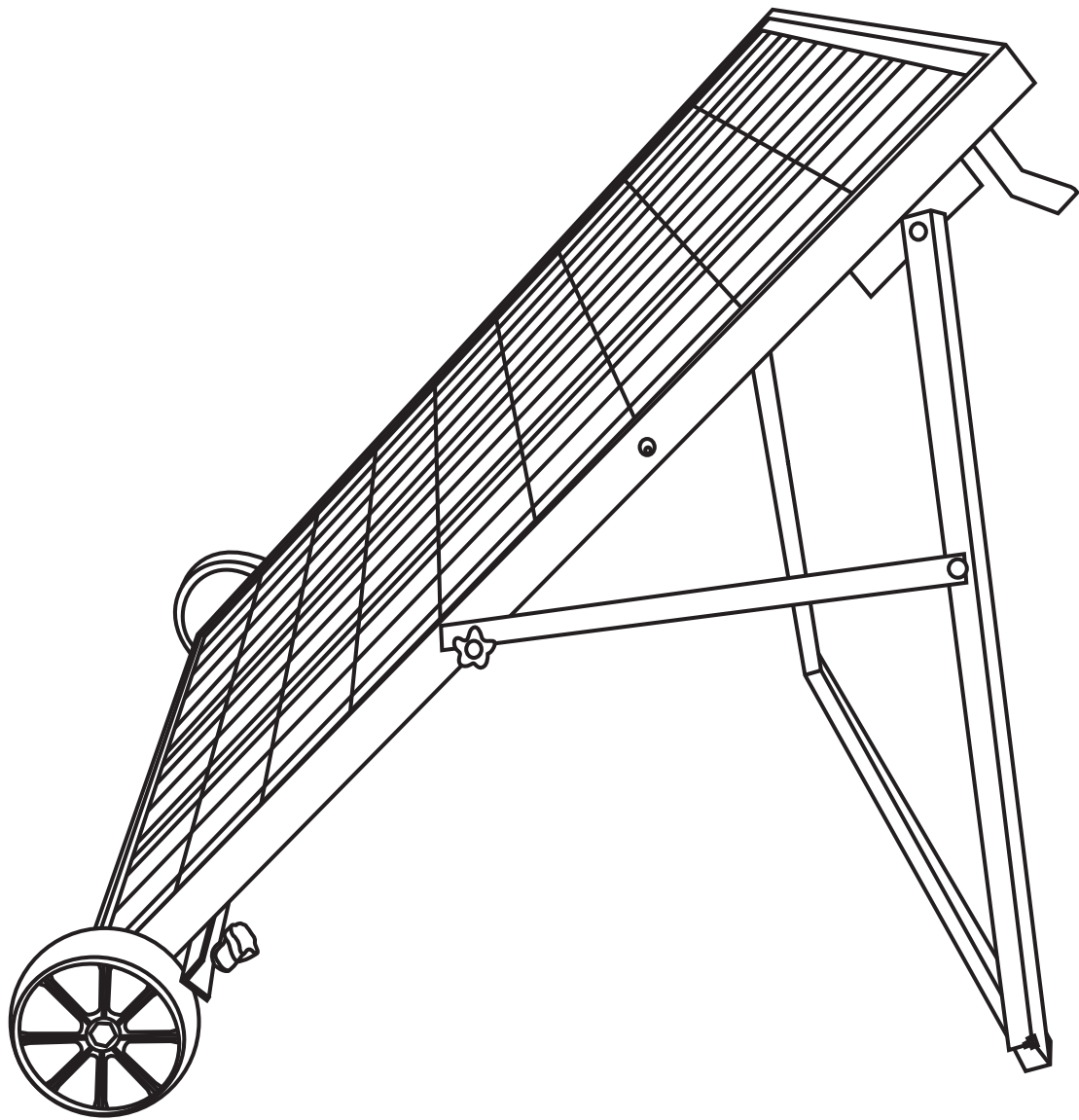
3130 Paseo Mercado Suite 106

Oxnard, CA 93036



V1.0 ENGLISH
20-0507

Nature's Generator Power Panel User Manual



Nature's Generator Power Panel

Contents

Introduction	1
- Unpack Your Nature's Generator Power Panel.....	1
- Unpack Your Solar Panel Accessory Box.....	2
- Assemble Your Solar Panel Cart.....	3
Using Your Nature's Generator Power Panel.....	12
- Position Your Power Panel.....	12
- Use Your Power Panel	13
- Daisy Chain Your Power Panel.....	14
Technical Specifications.....	15
Limited Warranty	16

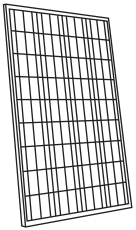
Introduction

Congratulations on your new 100watt power panel, a complete state-of-art solution that recharges your Nature's Generator (sold separately) or Power Pod (sold separately) from the sun.

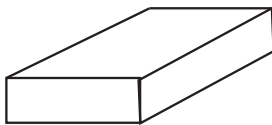
Unpack Your Nature's Generator Power Panel

What are included:

1. 100watt solar panel



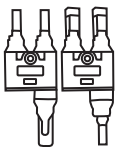
2. Solar panel accessory box



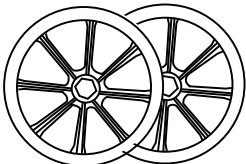
3. Solar cable (for some models)



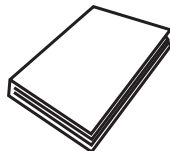
4. MC4 branch connector (for some models)



5. Wheels

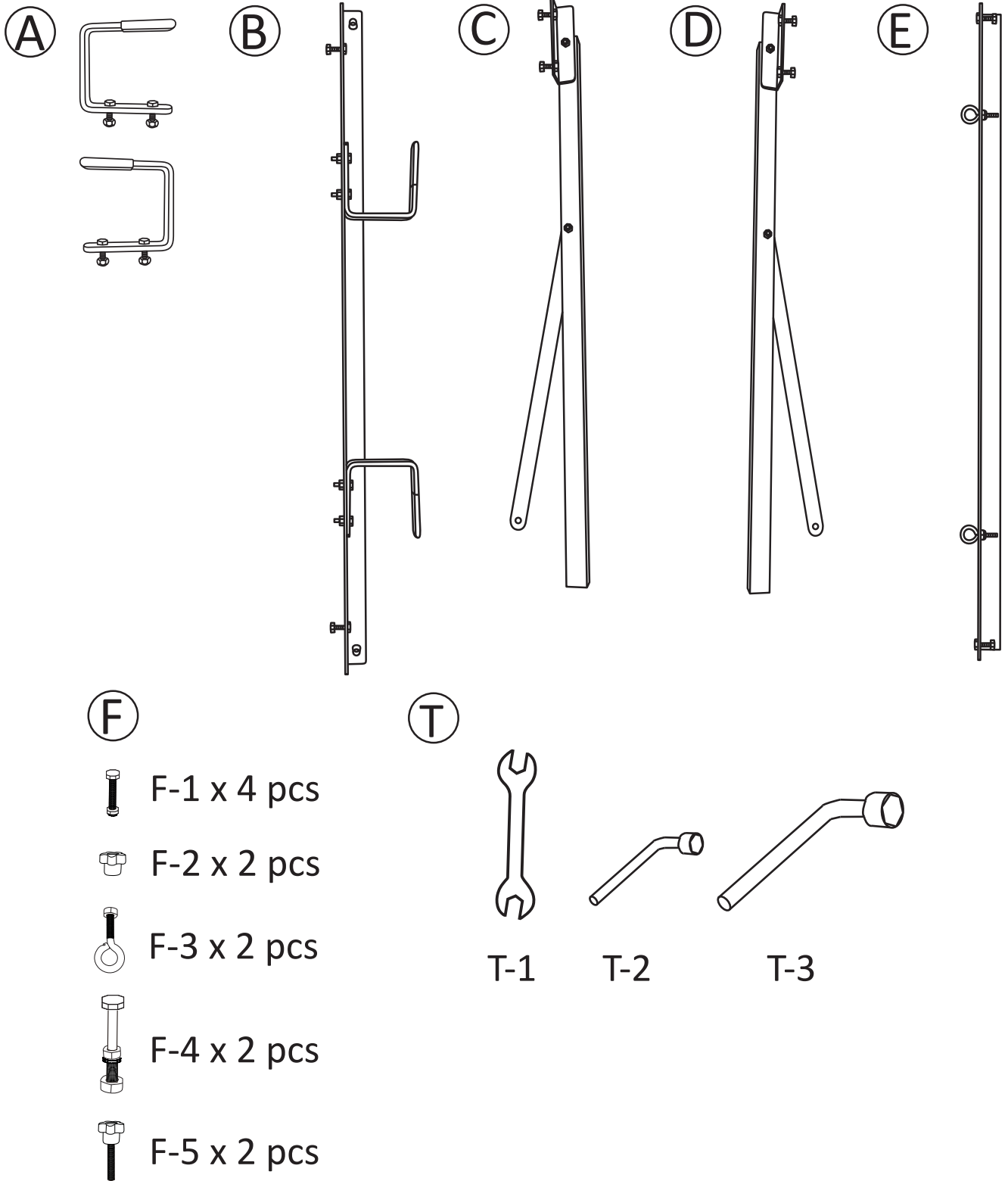


6. This Manual



Unpack Your Solar Panel Accessory Box

What are included:



Assemble Your Solar Panel Cart



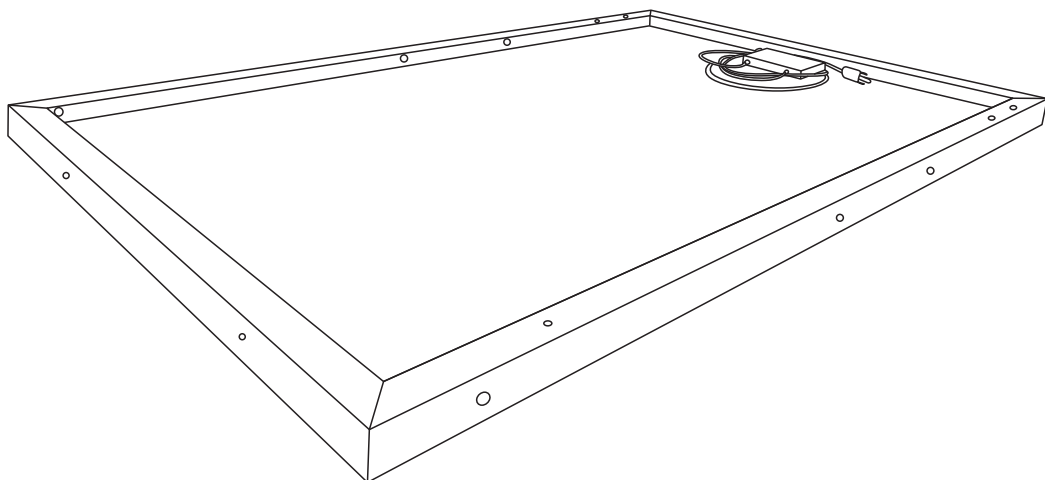
CAUTION

Some parts may contain sharp edges. Wear protective gloves if necessary.

If you have any questions or need assistance during assembly please call 800.975.7909 or email support@naturesgenerator.com

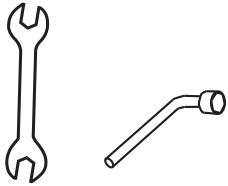
Step 1:

Place the solar panel on a flat and soft surface.



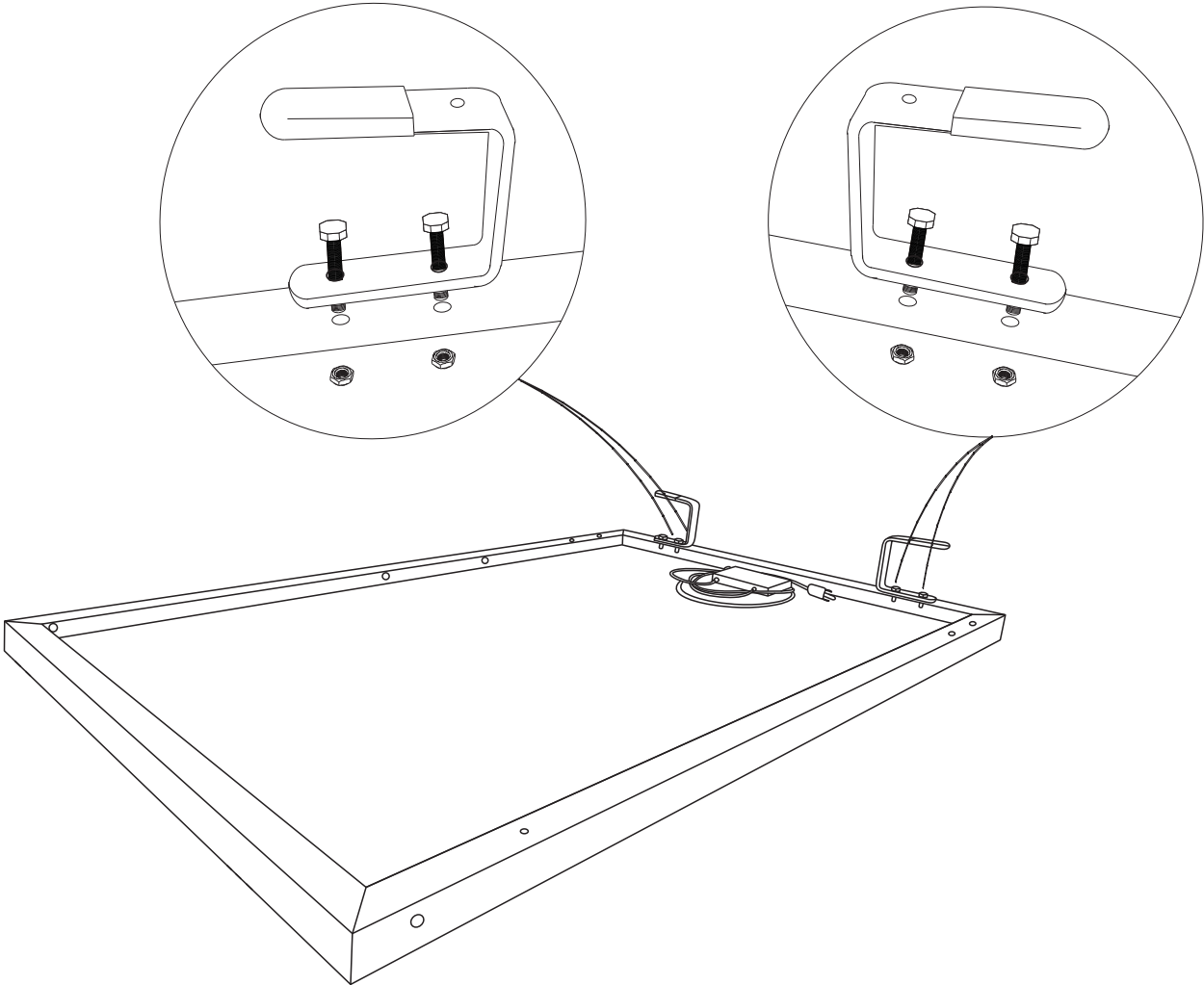
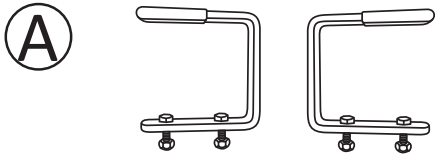
Step 2:

Required tools:



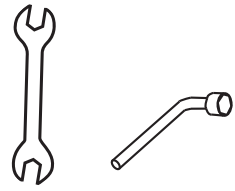
T-1 T-2

Required parts:




Step 3:

Required tools:

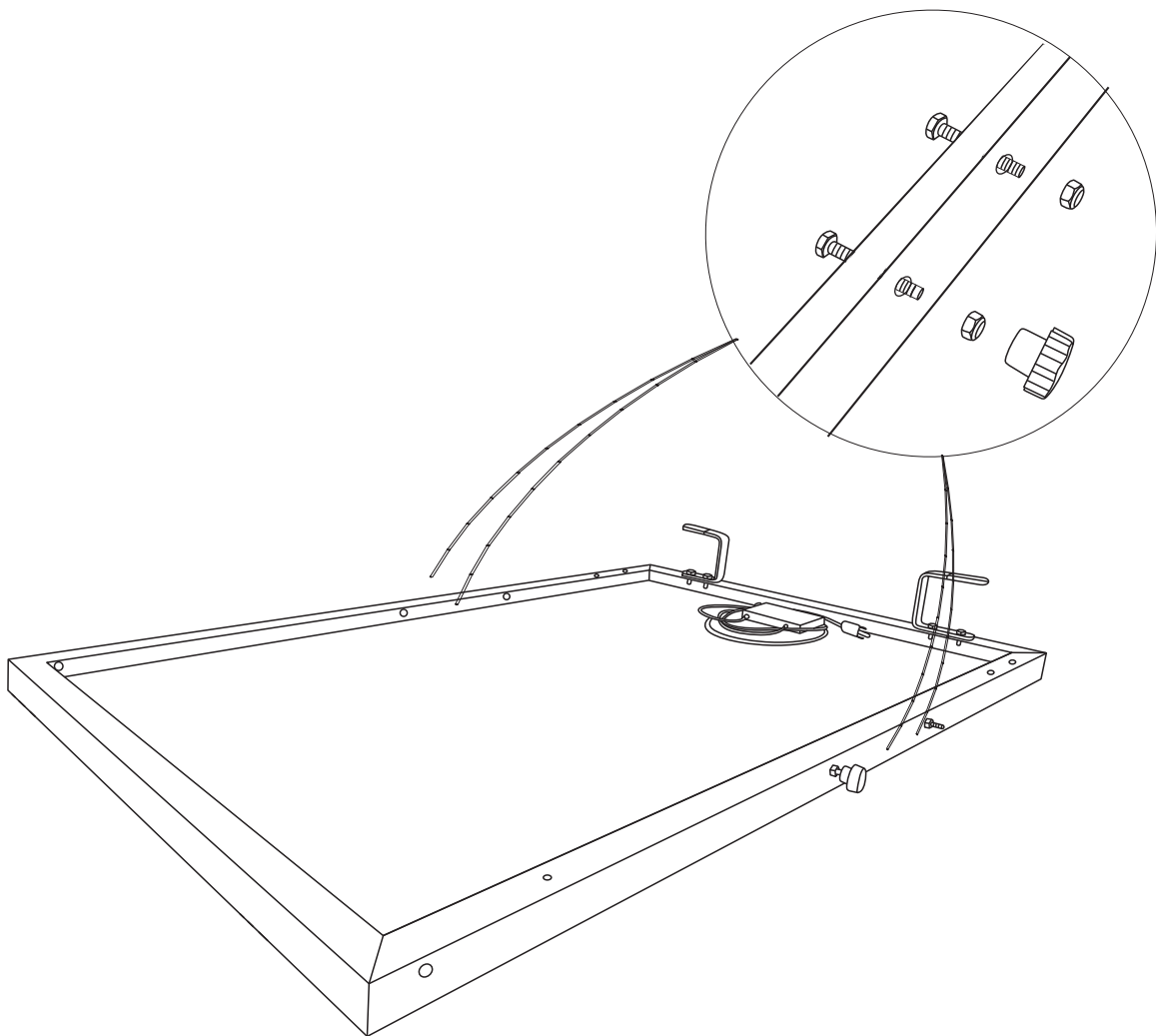


T-1 T-2


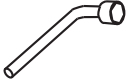
Required parts:

 F-1 x 4 pcs

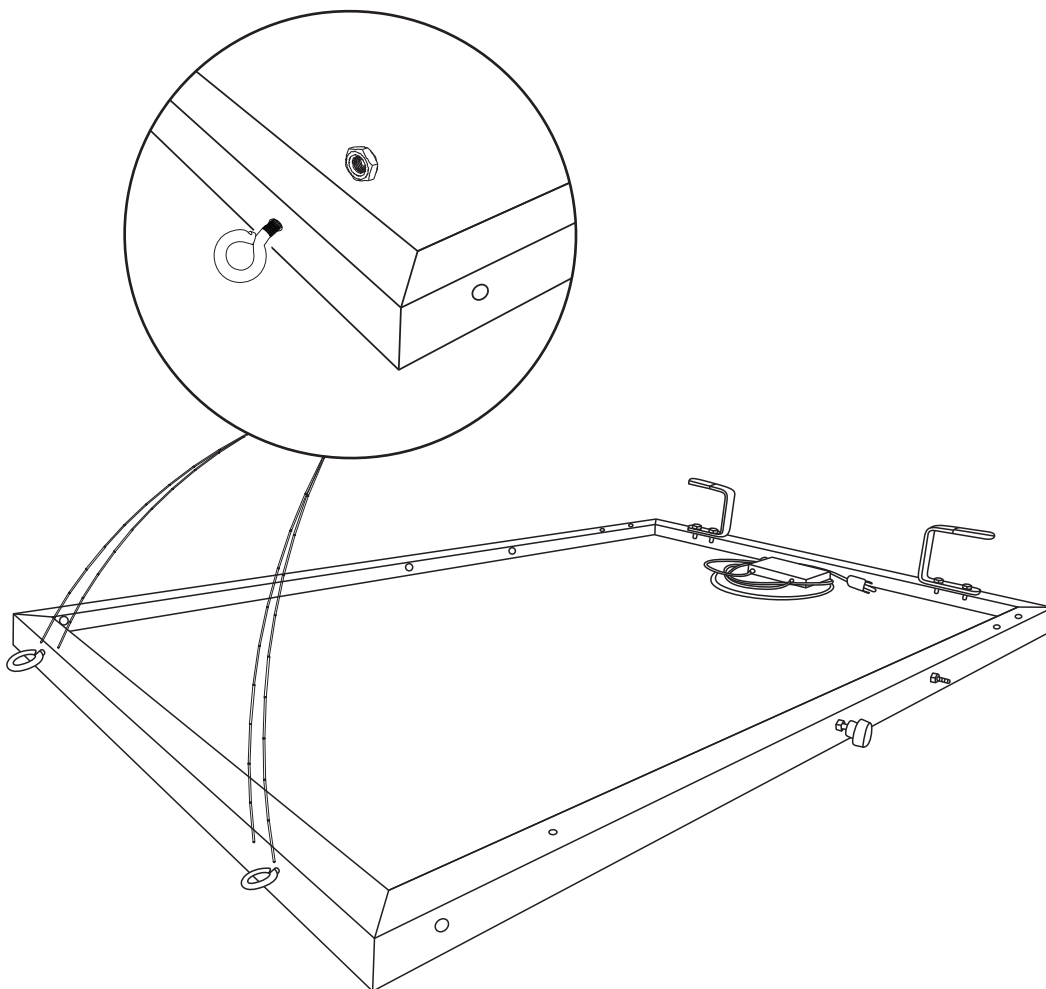
 F-2 x 2 pcs



Step 4:

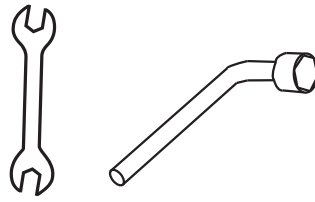
Required tools:  
T-1 T-2

Required parts:  F-3 x 2 pcs



Step 5:

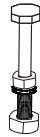
Required tools:



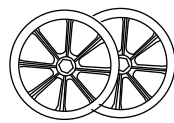
T-1

T-3

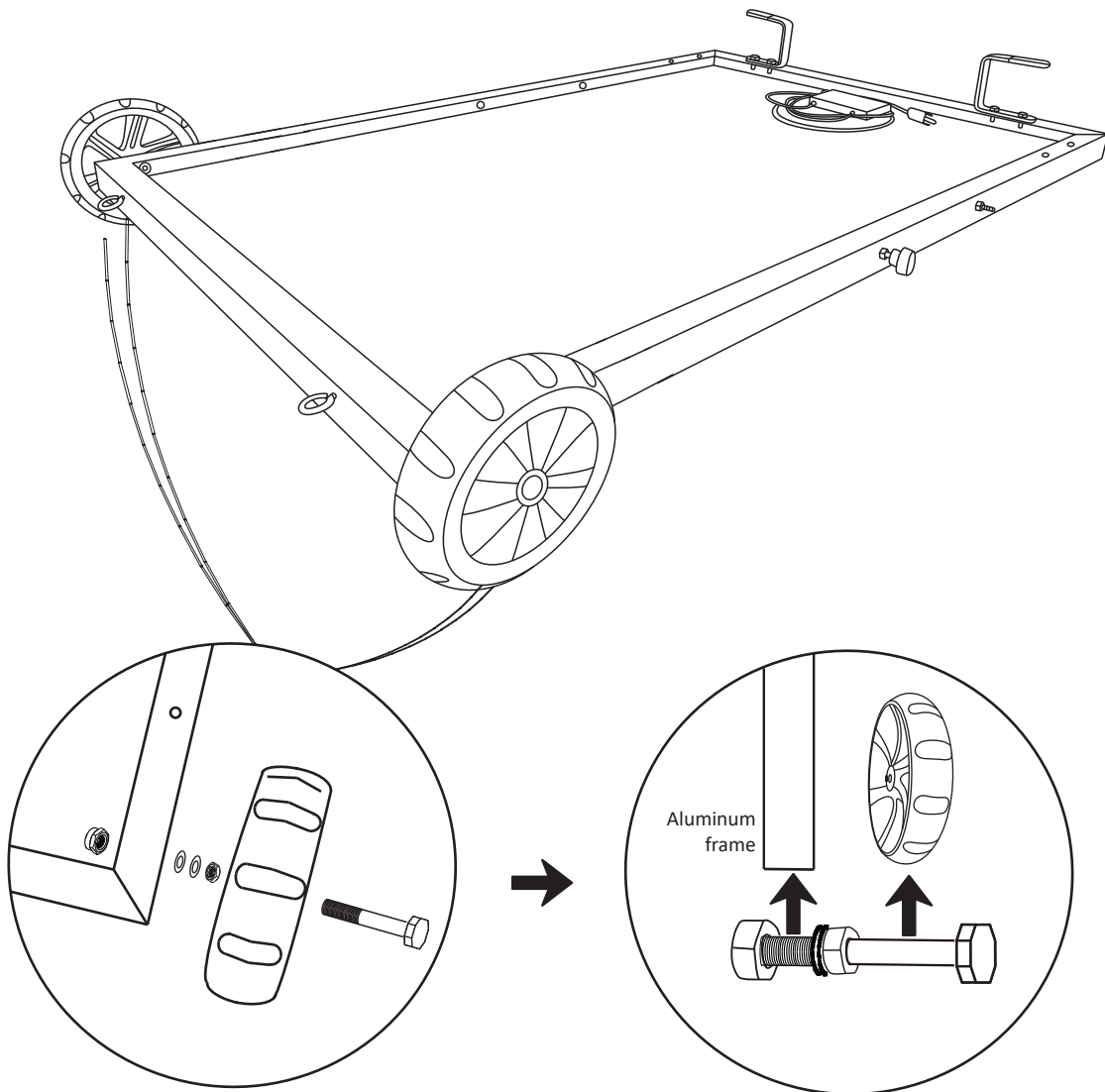
Required parts:



F-4 x 2 pcs

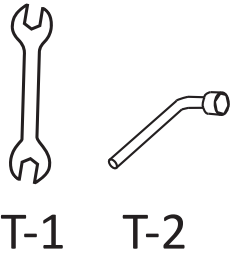


Wheels

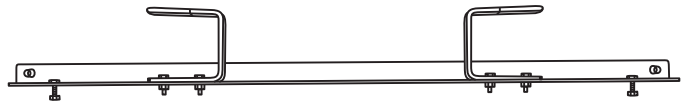


Step 6:

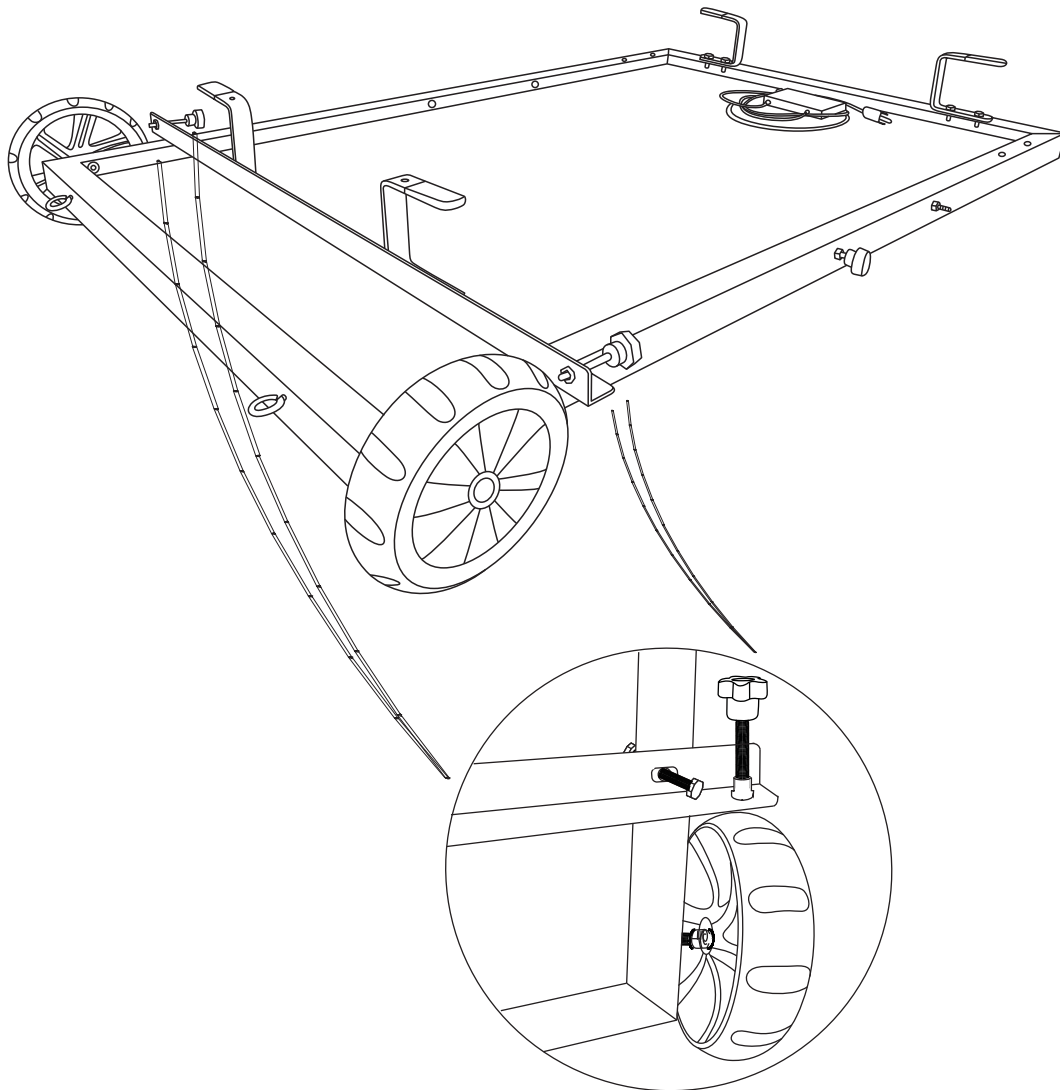
Required tools:



Required parts:

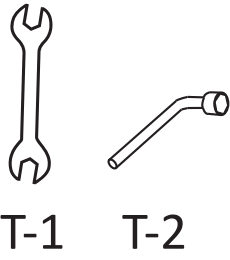


F-5 x 2 pcs

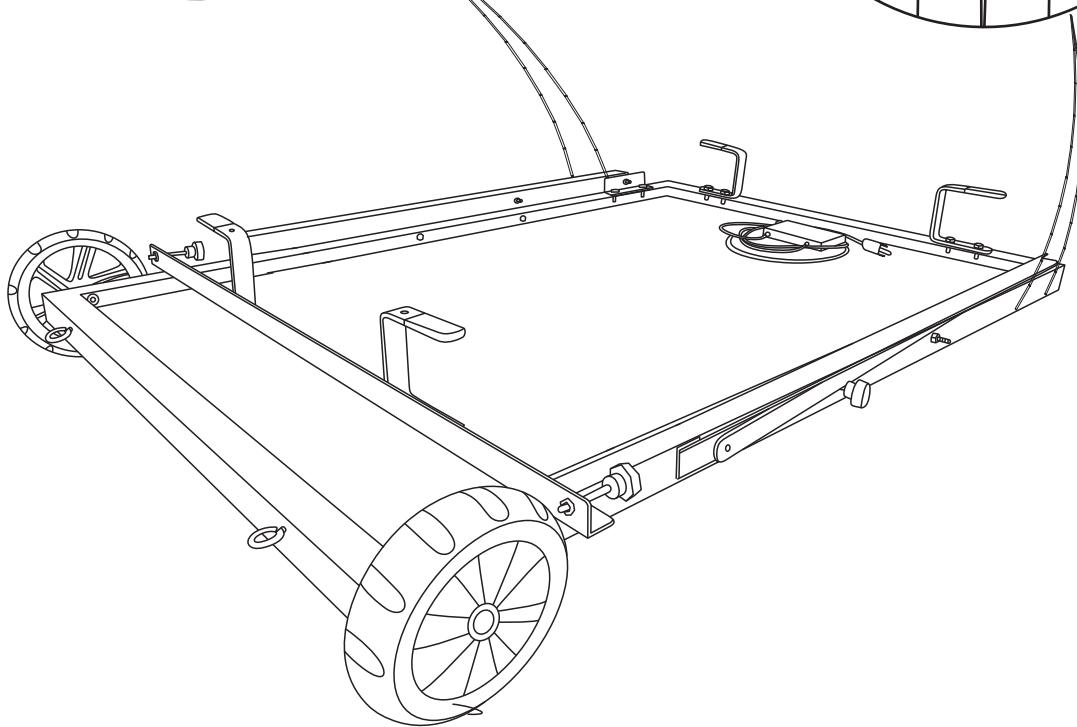
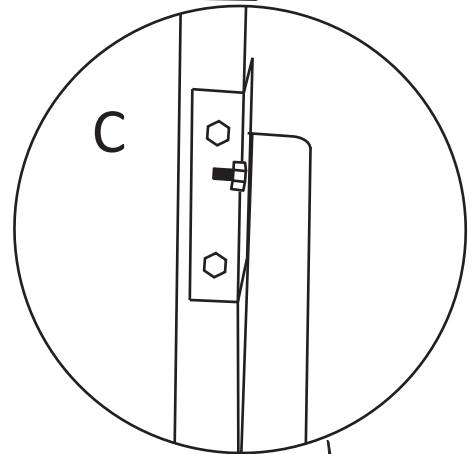
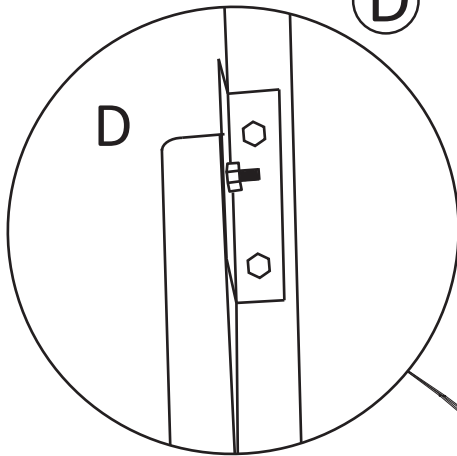
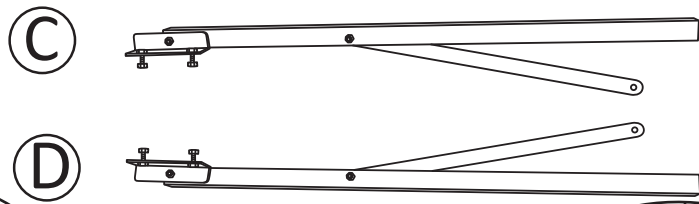


Step 7:

Required tools:

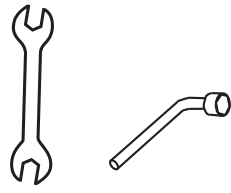


Required parts:



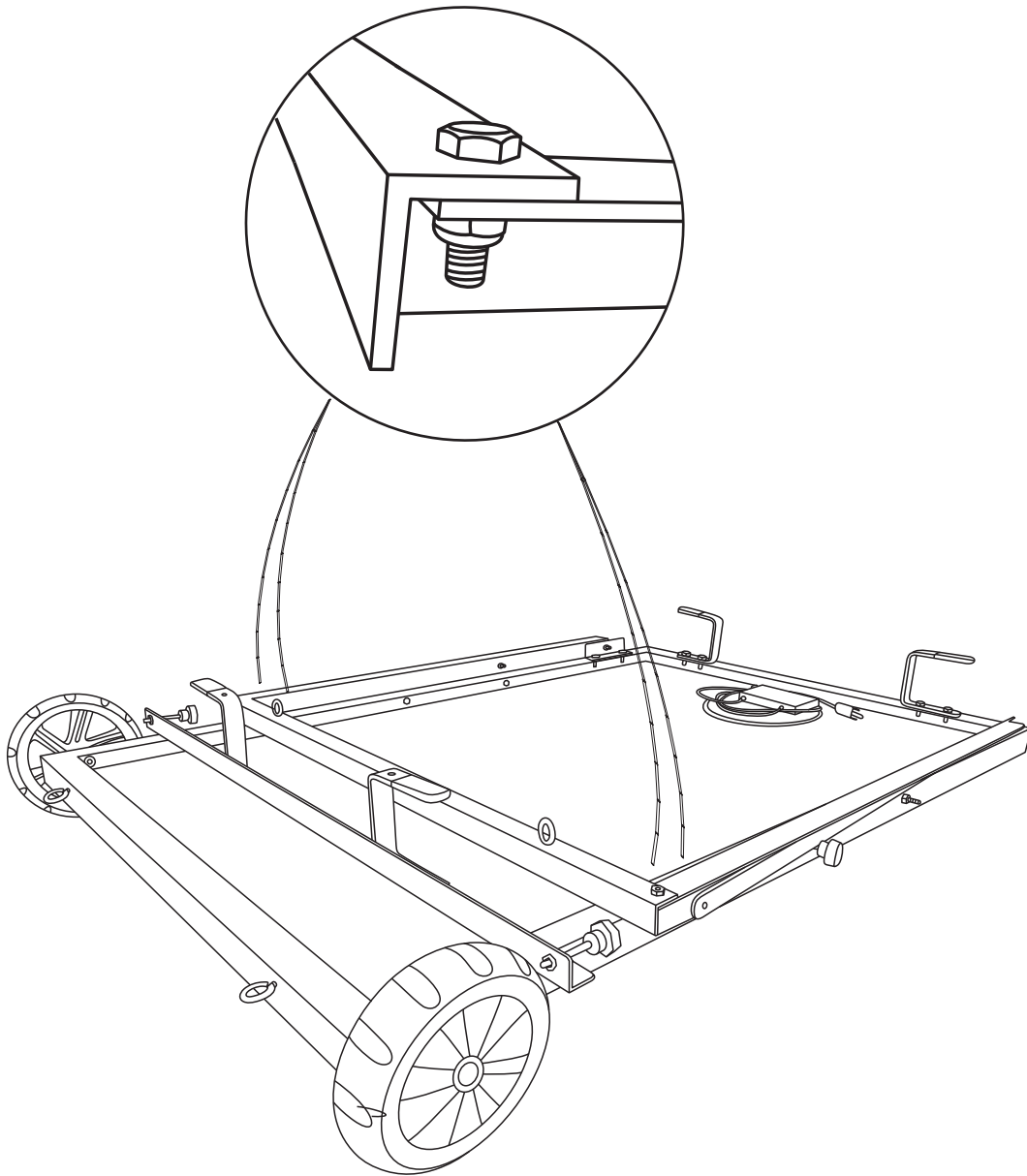
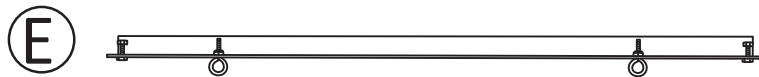
Step 8:

Required tools:

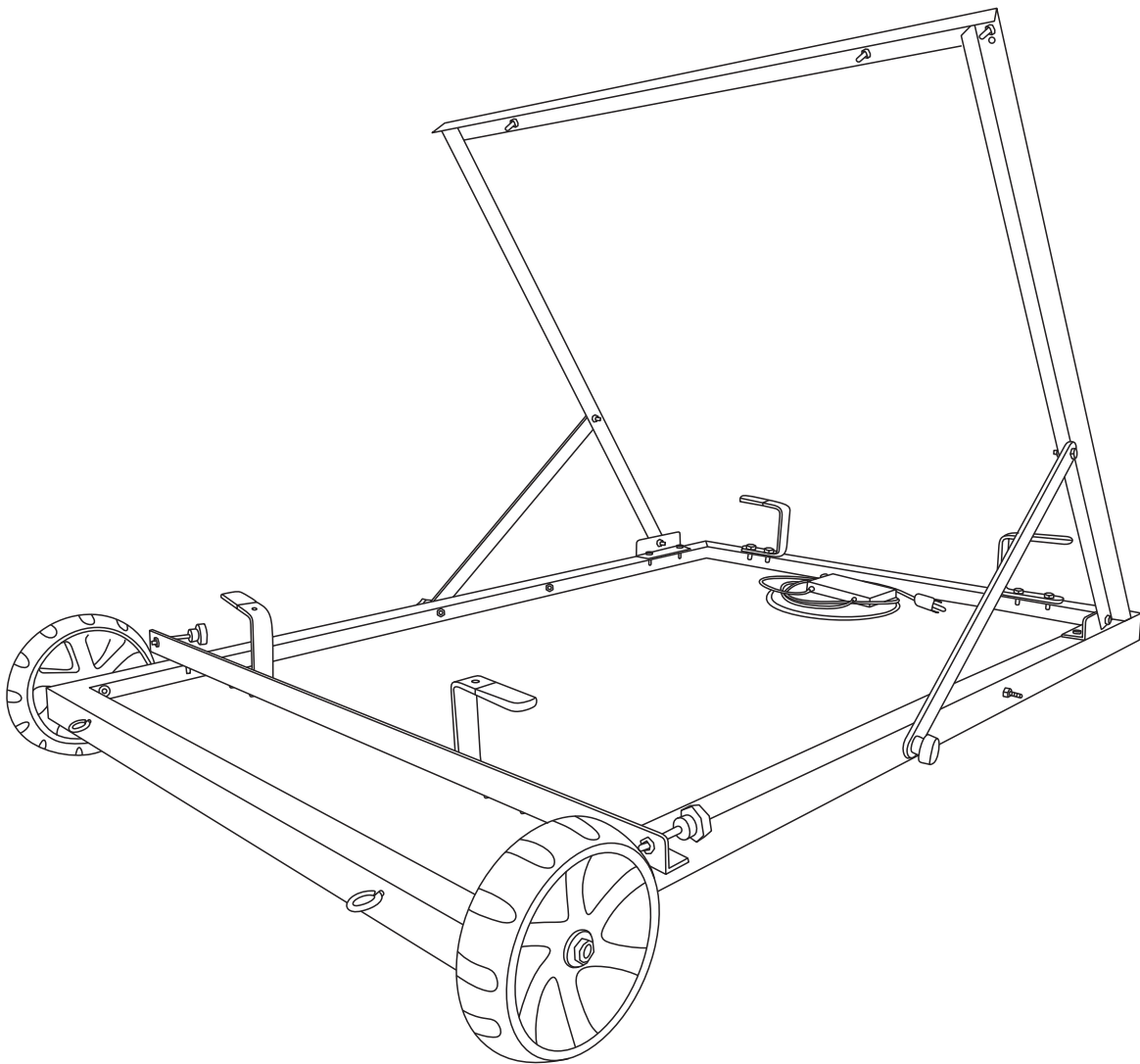


T-1 T-2

Required parts:



8. Finish



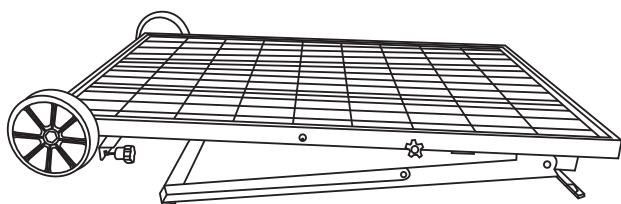
Using Your Nature's Generator Power Panel

Position Your Power Panel

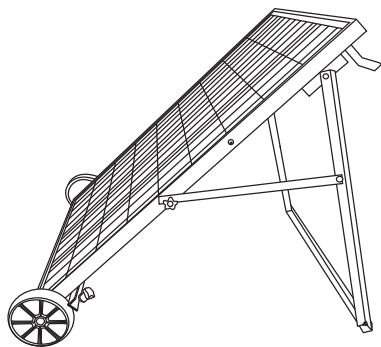
Please place your power panel where it will get as much direct sunlight as possible. There are three positions as follows:

Flat Position:

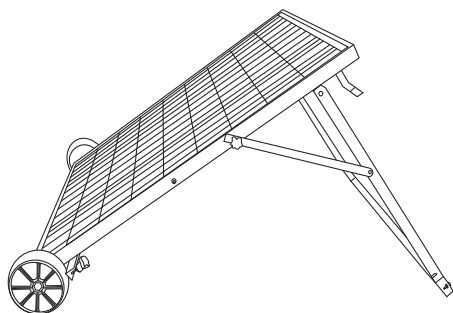
To mount the solar panel semi-permanently or during travel.



Winter Position:

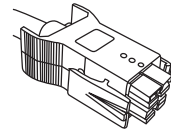


Summer Position:

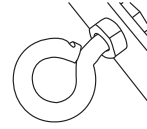


Use Your Power Panel

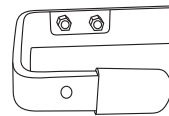
Connect the solar panel cable to the solar input port.



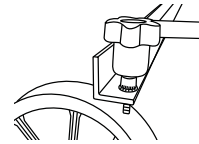
You can use the four eyebolts to anchor the solar panel to the ground.



You can use handles for cable management and predrilled 6mm holes for optional mounting.

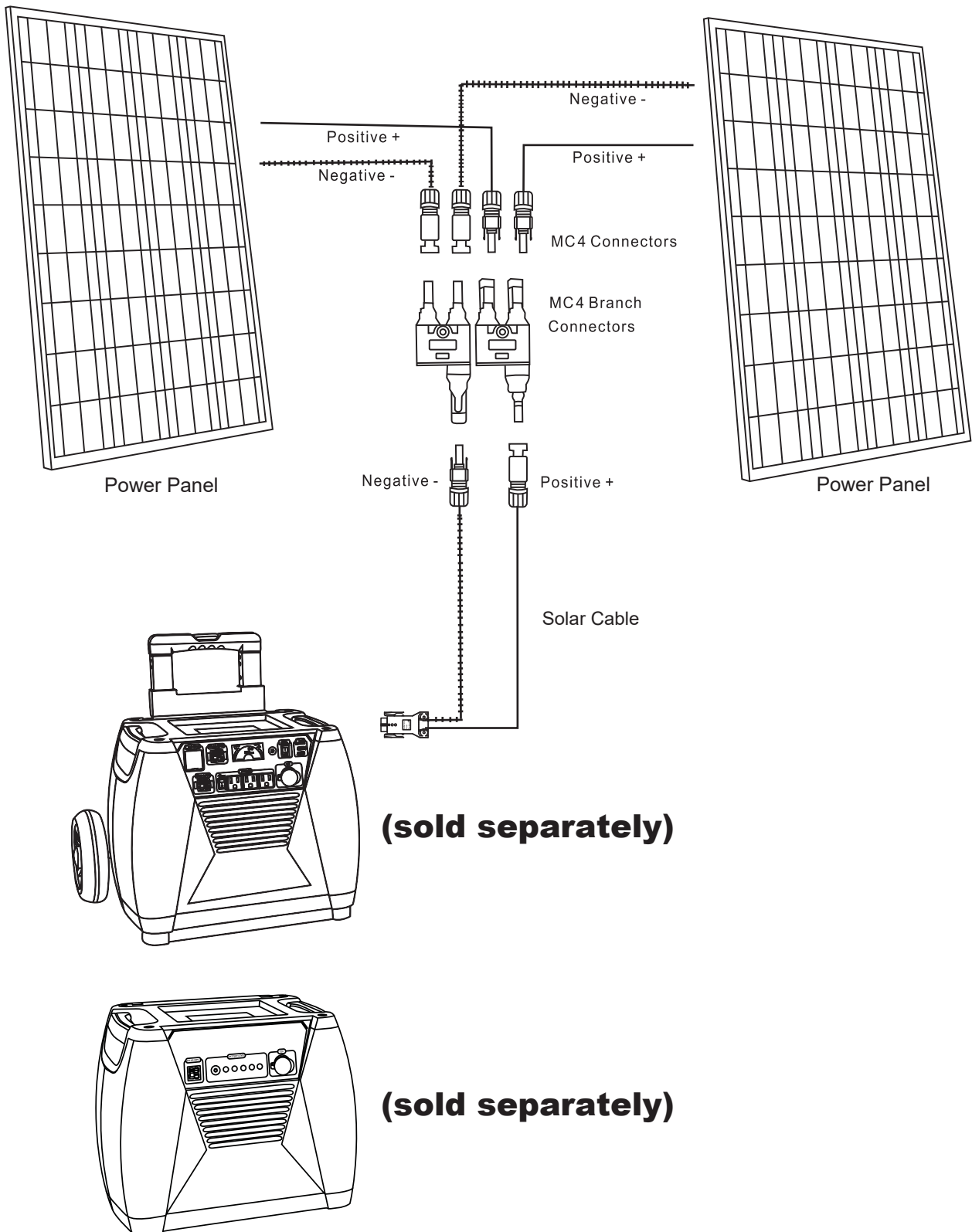


You can turn star knob clockwise to stop the wheel or counterclockwise to release.



Daisy Chain Your Power Panel

To double charging speed, use the parallel connection method.



Technical Specifications

Rated Power: 100W

Voltage: 17V ~ 22V

Fuse Rating: 8A

Cell: Polycrystalline

Certifications:



Limited Warranty

One Year Limited Warranty

Huntkey USA Inc. warrants to you, the original purchaser of this new product, that the product shall be free of defects in the original manufacture of the material or workmanship for a period of one (1) year from the original date of your purchase of the product ("Warranty Period"). This product must be purchased from an authorized dealer and packaged with this warranty statement. This warranty does not cover refurbished product.

What does this Warranty Cover?

During the Warranty Period, if the original manufacture of the material or workmanship of the product is determined to be defective by an authorized dealer, Huntkey USA Inc. will (at its sole option): (1) repair the product with new or rebuilt parts; or (2) replace the product at no charge with new or rebuilt comparable products or parts. Products and parts replaced under this warranty become the property of Nature's Generator and are not returned to you. If service of products or parts are required after the Warranty Period expires, you must pay all labor and parts charges. This warranty lasts as long as you own your product during the Warranty Period. Warranty coverage terminates if you sell or otherwise transfer the product.

How to Obtain Warranty Service?

Please call 1-800-975-7909 Monday through Friday, 9:00AM to 5:00PM PST. You will be provided with a Return Merchandise Authorization (RMA) number and return instructions. Send product to:

Huntkey USA, Inc.
3130 Paseo Mercado Suite 106
Oxnard, CA 93036

Please include the RMA number prominently displayed on the shipping box and include your name, phone number and address with the product inside the box.

Where is the Warranty Valid?

This warranty is valid only to the original purchaser of the product in North America (United States, Canada and Mexico).

What does the Warranty not Cover?

This warranty does not cover:

- Cosmetic damage
- Damage due to acts of God, such as lightning strikes
- Accident
- Misuse
- Abuse
- Negligence
- Commercial use
- Modification of any part of the product
- Damage due to incorrect operation or maintenance
- Connection to an incorrect voltage supply
- Attempted repair by anyone other than a facility authorized by Huntkey USA Inc. to service the product
- Products sold as is or with all faults
- Consumables, such as batteries
- Products where the factory applied serial number has been altered or removed

REPAIR REPLACEMENT AS PROVIDED UNDER THIS WARRANTY IS YOUR EXCLUSIVE REMEDY. HUNTKEY USA INC. SHALL NOT BE LIABLE FOR ANY INCIDENTAL OR CONSEQUENTIAL DAMAGES FOR THE BREACH OF ANY EXPRESS OR IMPLIED WARRANTY ON THIS PRODUCT, INCLUDING, BUT NOT LIMITED TO LOST DATA, LOSS OF USE OF YOUR PRODUCT, LOST BUSINESS OR LOST PROFITS. HUNTKEY USA INC. PRODUCTS MAKES NO OTHER EXPRESS WARRANTIES WITH RESPECT TO THE PRODUCT, ALL EXPRESS AND IMPLIED WARRANTIES FOR THE PRODUCT, INCLUDING, BUT NOT LIMITED TO, ANY IMPLIED WARRANTIES OF AND CONDITIONS OF MERCHANTABILITY AND FITNESS FOR A PARTICULAR PURPOSE, ARE LIMITED IN DURATION TO THE WARRANTY PERIOD SET FORTH ABOVE AND NO WARRANTIES, WHETHER EXPRESS OR IMPLIED, WILL APPLY AFTER THE WARRANTY PERIOD. SOME STATES, PROVINCES AND JURISDICTIONS DO NOT ALLOW LIMITATIONS ON HOW LONG AN IMPLIED WARRANTY LASTS, SO THE ABOVE LIMITATION MAY NOT APPLY TO YOU. THIS WARRANTY GIVES YOU SPECIFIC LEGAL RIGHTS, AND YOU MAY ALSO HAVE OTHER RIGHTS, WHICH VARY FROM STATE TO STATE OR PROVINCE TO PROVINCE.

Contact Huntkey USA Inc:

For customer service please call 1-800-975-7909

Huntkey USA, Inc.

3130 Paseo Mercado Suite 106

Oxnard, CA 93036





NATURE'S GENERATOR POWER PANEL

Huntkey USA, Inc

support@naturesgenerator.com

800.975.7909

How to Position the Power Panel

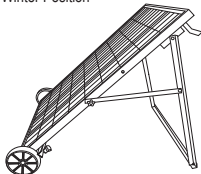
Please place your power panel where it will get as much direct sunlight as possible. There are three positions as follows:

Flat Position

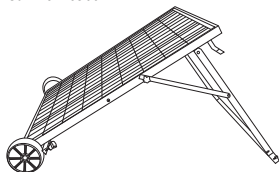
To mount the power panel semi-permanently or during travel.



Winter Position

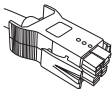


Summer Position

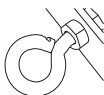


How to Use the Power Panel

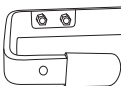
Connect the power panel cable to the solar input port.



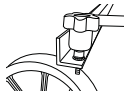
You can use the four eyebolts to anchor the power panel to the ground.



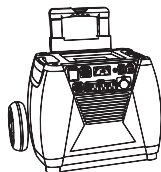
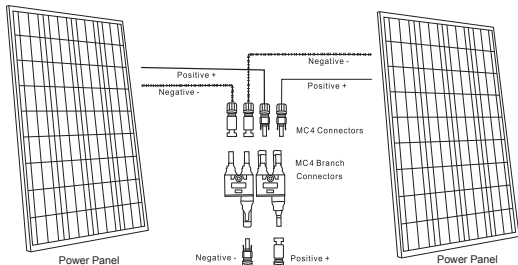
You can use handles for cable management and predrilled 6mm holes for optional mounting.



You can turn star knob clockwise to stop the wheel or counterclockwise to release.



Optional: To Double Charging Speed. Use the Parallel Connection Method



For use with
Nature's
Generator



Or
For use with
Nature's
Generator
Power Pod

Specifications:

Rated Power: 100W

Voltage: 17V ~ 22V

Fuse Rating: 8A

Cell: Polycrystalline

Certifications:

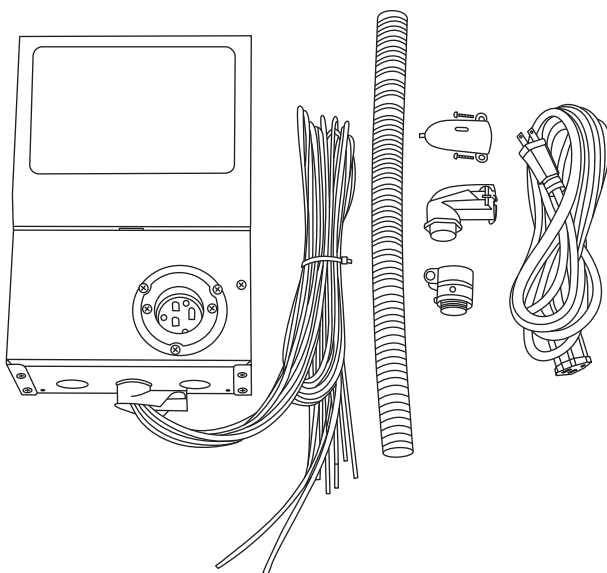


Designed and Packaged in USA

visit NaturesGenerator.com for more information

Power Transfer Kit

User Manual



Power Transfer Kit

Contents

Welcome	1
Warning	1
Unpack Your Power Transfer Kit	2
Connect Your Power Transfer Switch to Nature's Generator	3
Use Your Power Transfer Switch	4
FAQ	5
Limited Warranty	6

Welcome

Congratulations on the purchase of your new Power Transfer Kit, a state-of-art power transfer kit that links your Nature's Generator to your existing power circuits in your breaker panel. Please read these instructions thoroughly prior to use, then store this manual in a safe place for future reference. If at any time you are unclear about this product, or require additional assistance, please do not hesitate to contact our Customer Support line at 805-383-0003 or email us at support@naturesgenerator.com.

Power Transfer Kit is made by Reliance Controls. If you have any questions regarding the installation process, you may also contact the Customer Service Team at Reliance Controls. They are available for assistance at 1-800-634-6155.

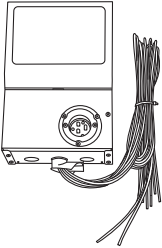
Warning

THE POWER TRANSFER KIT MUST BE INSTALLED BY A QUALIFIED ELECTRICIAN IN COMPLIANCE WITH ALL APPLICABLE ELECTRICAL CODES!

The installation procedure can be found on the other manual in the envelop in the box.

Unpack your Power Transfer kit

1. Power Transfer Switch



2. Conduit



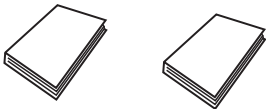
3. Cable Clamps



4. Power Cord:



5. The Installation Manual from Reliance Controls and this User Manual



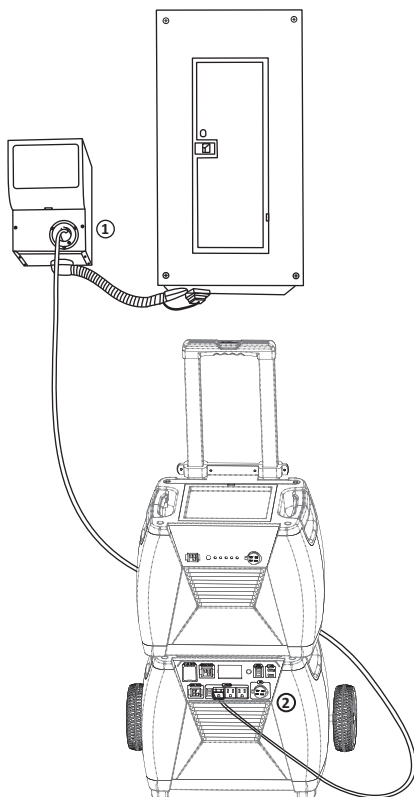
Visit NaturesGenerator.com for More Information

Connect Your Power Transfer Switch to Nature's Generator

Once the Power Transfer Switch has been successfully installed by a qualified electrician, you can now connect your Power Transfer Switch to your Nature's Generator by using the included power cord.

You can connect up to four circuits from your breakers into your Power Transfer Switch. You may select the most common used circuits like refrigerators, lights in hallway or bathroom, bedroom outlets and etc. The run time are affected by the combined loading on the connected circuits and the amount of the Nature's Power Pods that are connected to Nature's Generator.

1. Fit the female connector of the included power cord into the power inlet of your Power Transfer Switch.
2. Insert the male plug into any of the AC outlets on the Nature's Generator.



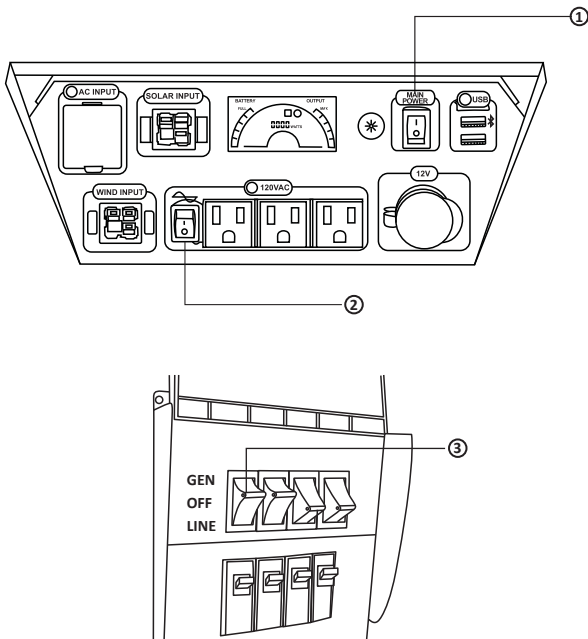
Visit NaturesGenerator.com for More Information

Use Your Power Transfer Switch

Once you've connected the Power Transfer Switch to the Nature's Generator you are now ready to continue powering your most needed items at home during loss of power.

When you experience power loss simply follow these steps to continue powering your items:

1. Turn the Nature's Generator Main Power Switch to ON (The LCD screen will turn on).
2. Turn the Nature's Generator AC Switch to ON (The light above the AC outlets will turn green).
3. Select the toggle switches of the circuits that you want your Nature's Generator to power and move their position from LINE to GEN.
4. You are now ready to go!



When your power is restored:

1. Move the position of the toggle switches from GEN to LINE.
2. Turn the Nature's Generator AC Switch to OFF (The green light above the AC outlets will turn off)
3. Turn the Nature's Generator Main Power Switch to OFF (The LCD screen will turn off)

Visit NaturesGenerator.com for More Information

FAQ

Where shall I install the Power Transfer Kit?

The size of Power Transfer Switch is 13 1/4 x 8 x 4 3/4 inches. The conduit is approximately 18 inch long with the clamps. It is recommended to install it in a close area to your breaker panel.

Can I use Power Transfer Kit and Nature's Generator to back up 220V?

Unfortunately, it only works on 110V. It is not compatible with 220V.

What happens when the utility power is restored?

When your utility power is restored, other lights and appliances on the circuits that are not connected to Power Transfer Switch will turn on. To transfer the circuits on the generator to utility power, flip the toggle switches back to the LINE position and shut down your Nature's Generator.

Will the surge damage my Nature's Generator when the utility power is restored?

No. The circuits that are connected to Power Transfer Switch are isolated from the utility power. There is no danger of back feeding the utility power.

What will I be able to power?

Runtimes with the Power Transfer Kit are dependent on the combined loading of connected circuits and the amount of the Nature's Power Pods that are connected to Nature's Generator. For instance, a 70W LED light will run about 10 hours with only the Nature's Generator. That same 70W LED light will run about 27 hours with the Nature's Generator and one Nature's Power Pod. And that same 70W LED light will run about 44 hours with the Nature's Generator and two Nature's Power Pods

Can I use it off the grid like in cabin or RV?

Yes. If it is always powered by your Nature's Generator, please keep the toggle switch on your Power Transfer Switch to GEN position.

Can Power Transfer Kit recharge my Nature's Generator?

No. Power Transfer Kit cannot recharge your Nature's Generator. Your Nature's Generator has to be recharged through standard AC outlet or Nature's Power Panel or Nature's Wind Turbine.

Can Power Transfer Kit work with other Generators?

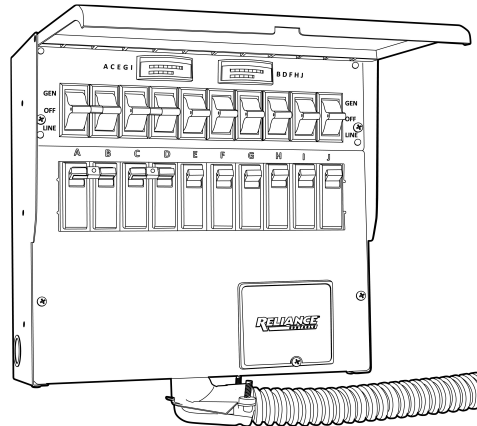
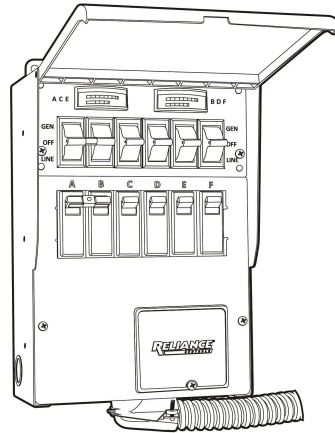
Yes. It works with other battery powered generators or gasoline powered generators.

Limited Warranty

Please refer to the other manual about warranty information.



INSTALLATION AND OPERATING INSTRUCTIONS



PRO/TRAN[®] 2

MANUAL TRANSFER SWITCHES

FROM

RELIANCE[®]
CONTROLS

Residential Wattage Requirements

Appliance	Running Watts	Add watts for starting
Furnace blower, gas or fuel		
1/8 hp	300	500
1/8 hp	500	750
1/6 hp	500	750
1/4 hp	600	1000
1/3 hp	700	1400
1/2 hp	875	2100
Shallow well pump		
1/3 hp	750	1400
1/2 hp	1000	2350
Sump pump		
1/3 hp	800	1300
1/2 hp	1050	2150
Refrigerator or freezer	800	2300
Garage door opener		
1/4 hp	550	1100
1/3 hp	750	1400
Lights	on bulb	0
Radio	50-200	0
Television	100-300	0
Microwave oven	600-1500	0
Coffee maker, typical	1750	0
Toaster/toaster oven	1050-1850	0
Portable heater	1100-1500	0
Dehumidifier	650-800	0
Electric blanket	400	0
Clothes washer	1150	2300
Clothes dryer, gas	700	1800
Dishwasher		
cool dry	700	1400
hot dry	1450	1400
Vacuum cleaner	800-1100	0
Hair dryer	300-1500	0
Iron	1200	0

Warnings • Cautions



Warning: Improper installation of this transfer switch could cause damage or personal injury by electrocution or fire. Installation must be performed by a qualified electrician in compliance with all applicable electrical codes



Warning: When using this product with a portable generator, do not operate the generator indoors or in an enclosed area. Do not operate a generator where the exhaust fumes can accumulate indoors or in an enclosed area like a garage or close to windows or doors.



Caution: Reliance transfer switches covered in this manual should not be used for appliances or systems that may exceed the capacity of the product.



Caution: When the transfer switch is connected to branch circuits with AFCI or GFCI breakers, the AFCI or GFCI protection will be lost when, and only when, the toggle switch in the transfer switch is in the GEN position. To get AFCI or GFCI protection when running on generator power, install the appropriate breakers in the transfer switch.

Reliance Controls Corporation is not responsible for damage or injury caused by incorrect installation of this transfer switch.

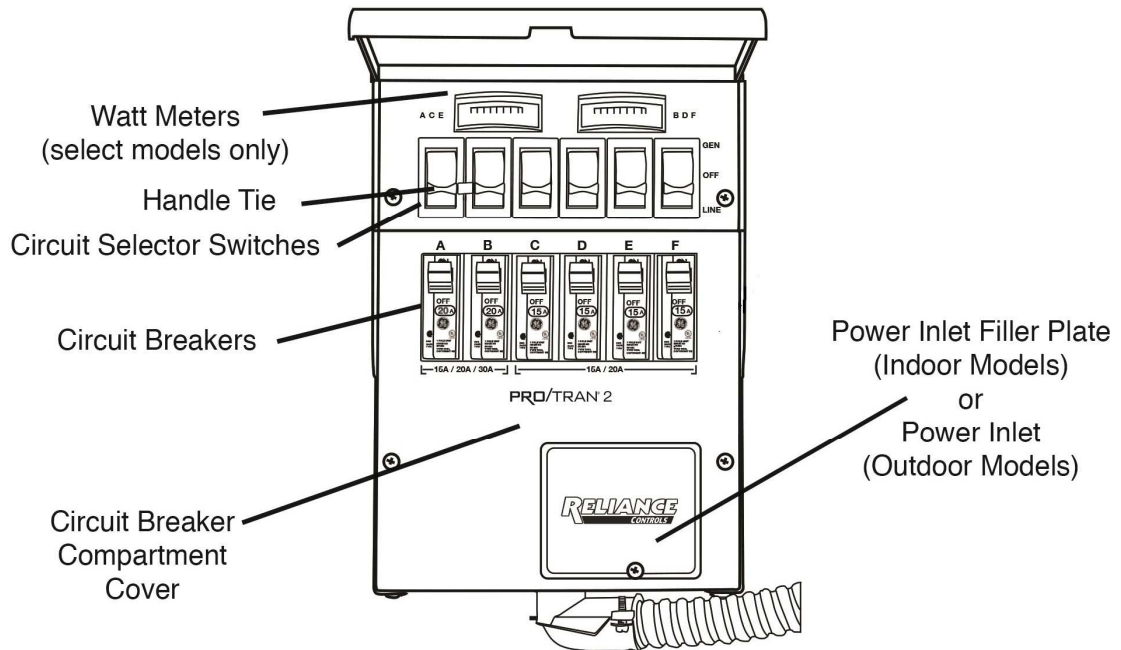


Member, National Electrical Manufacturers Association

Reliance Installation and Operating Instructions

Key Components of the Reliance Transfer Switch

Figure 1



Circuit breakers. Each transfer switch circuit has a 1-in interchangeable circuit breaker that protects the branch circuit when the circuit selector switch is in the GEN position. In the LINE position, each branch circuit is protected by the breaker in the load center.

Circuit selector switches. These switches allow you to select either GEN (generator) or LINE (utility) as the power source for the branch circuits that have been wired through the transfer switch. The OFF position is generally not used, as a switch in the OFF position removes that branch circuit from both utility and generator power.

Handle ties. Handle ties are used for 240-volt circuits or multi-wire branch circuits. They may be removed for 120-volt circuits. See page 6 for instructions on removing and adding handle ties.

Power inlet filler plate. This can be replaced with a power inlet that is included in the suffix A and B models (see page 7 for installation instructions). The power cord from the generator is plugged into this inlet. The inlet is supplied separately for indoor models to encourage the use of a remote connection outdoors reducing the likelihood of running the generator indoors which is extremely dangerous. If this indoor model is installed outdoors, make sure it is installed in a dry location.

Circuit Breaker Compartment Cover. Remove to change circuit breakers. Also includes a wiring space that can be used to hard-wire the unit to a remote power inlet box.

Analog wattmeters (suffix A and C models). These meters indicate the total load, in watts, on each side of the generator when the generator is supplying power as follows:

The left meter measures the load on	
A, C, and E	6-circuit
A,C,E, and G	8-circuit
A, C, E, G and I	10-circuit

The right meter measures the load on	
B, D and F	6-circuit
B,D,F and H	8-circuit
B, D, F, H and J	10-circuit

Note: The watt meters will register only if power is being used from the generator.

Installation Instructions

Preparing for Installation

You will need the following items:

- Electric drill
- Screwdriver
- Wire cutters/stripper
- Hammer
- Four anchors and screws
- 6 or 10 yellow wire connectors (depending on the model)
- 4 red wire connectors for the 20A and 30A hard-wire models

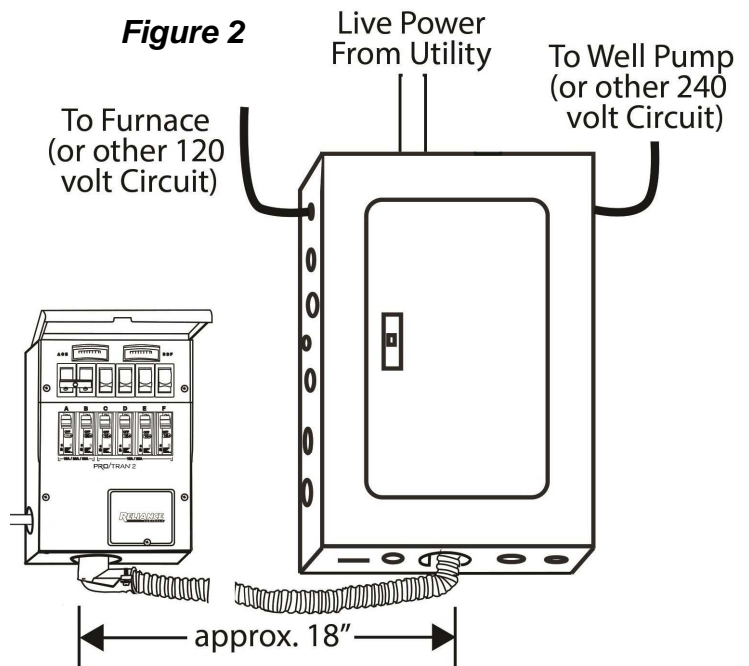
The following five steps generally apply to all transfer switch installations. The transfer switch may be installed on either side of the load center.

1. Turn off the main circuit breaker in the load center to ensure your safety.



Danger: All current-carrying parts on the LINE side of the main are still live

2. Remove the cover of the load center.
3. Locate and remove a knockout (ko) in the bottom of the load center (*Figure 2*). Use a 3/4" ko for 6-circuit models, and a 1" ko for 10-circuit models.
4. Insert the wires extending from the end of the flexible conduit through the ko. Attach the conduit connector securely with the locknut provided.
5. Anchor the transfer switch to the wall using the top bracket and bottom mounting holes located in the cabinet behind the wiring compartment cover. Do not attempt to bend the flexible conduit beyond its structural capabilities.



Wiring the Reliance Transfer Switch to the Load Center

Determine which circuits will be used during an emergency. The residential wattage requirement chart on the inside front cover of this manual may be used as a guide, but actual appliance wattages may vary. If a selected circuit is part of a multi-wire branch circuit, ensure the other branch circuit that shares the neutral is also connected to the transfer switch. The two circuits must be connected to opposing legs (phases) of the generator power and a handle tie must be installed on the switch handles so that both legs are transferred at the same time.

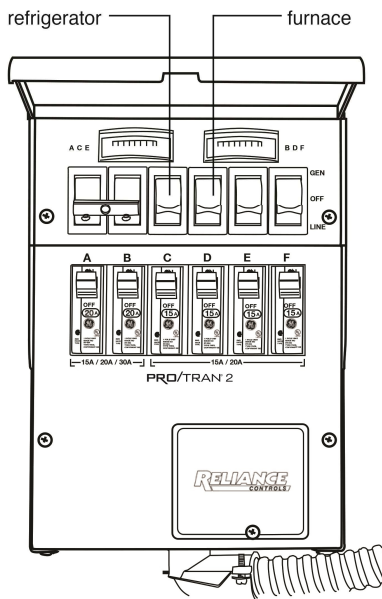


Warning: Failure to properly install a multi-wire branch circuit could result in overloading the neutral wire.

The maximum number of circuits available and those that can be used for multi-wire branch circuits depends on the model of the transfer switch as follows:

Model	Max	Available for multi-wire branch circuits
A304	4	Any two adjacent circuits.
A306, A506	6	Any two adjacent circuits.
A308	8	Any two adjacent circuits.
A310, A510	10	Any two adjacent circuits.

Balancing the Load



To maximize the efficiency of your generator, divide appliance circuits and others requiring higher wattage between adjacent circuit selector switches of the transfer switch so that a usage balance is achieved between the opposing legs of the generator power. For example, on a 6-circuit transfer switch, consider wiring the refrigerator to Switch C and the furnace to Switch D (*Figure 3*).

Figure 3

Changing Circuit Breakers

This product is supplied with a combination of 15- and 20-amp circuit breakers. In some cases, a 30 amp double-pole breaker may be supplied in the A and B positions.

All circuit breaker positions will accommodate 15- and 20-amp circuit breakers, and may be easily changed in the field. To remove a circuit breaker, remove the circuit breaker compartment cover, unscrew the terminal screw in the breaker to be removed, removed the wire, tilt the top of the circuit breaker towards you and lift up and out. Reverse the procedure to install another breaker. In addition, positions A and B (but only these positions) will accommodate 30-amp circuit breakers.

This product is UL approved for use with the field-installed breakers listed on the side of the cabinet: Use 30 amps maximum in positions A and B, 20 amps maximum in all other positions.

Rating of a transfer switch circuit breaker should not exceed the rating of the corresponding branch circuit breaker in the load center.

Do not install any breaker larger than 20 amps., except in positions A and B which may be 30 amps.

Installing 120-volt Circuits



Warning: Transfer switch circuits with 20 amp breakers must be installed on only those branch circuits with 20 amp branch circuit breakers. Transfer switch circuits with 15 amp breakers can be installed on 15 or 20 amp branch circuits. **Do not install any transfer switch circuit on branch circuits greater than 20 amps, except in position A and B which maybe 30 amps.**

Wire the most critical circuits first, starting with any circuit position on the transfer switch. Let's assume that Switch C will be designated to supply power to the refrigerator.

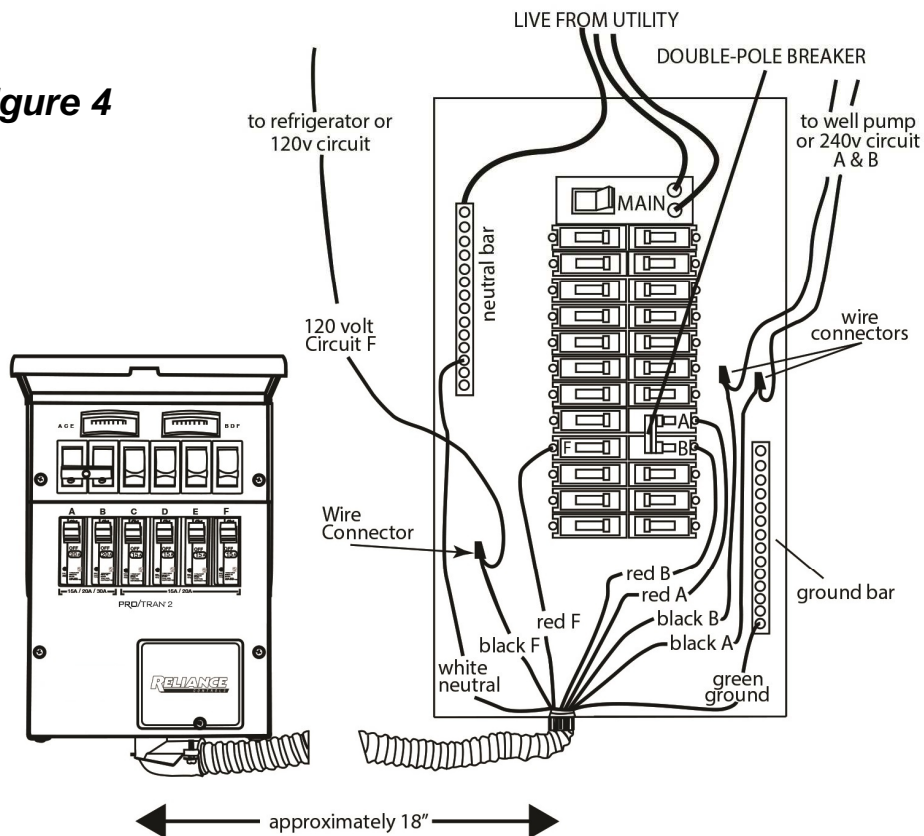
1. Turn off the refrigerator circuit breaker. Loosen the screw that secures the wire to the circuit breaker. Disconnect the wire from the circuit breaker.
2. On the transfer switch, find the black and red wires marked C.
3. Feed the **red wire** to the selected **breaker**, in this case the refrigerator breaker.
4. Cut the red wire C to a convenient length. Strip approximately 5/8" from the end of the wire. Connect the **red wire** to the refrigerator circuit **breaker** and retighten the screw.
5. Cut the black wire C to a convenient length for aligning with the wire removed from the refrigerator circuit breaker in step 1. Strip approximately 5/8" from the end of the wire.
6. Insert both wires (the wire removed from the circuit breaker in step 1 and the black wire) into a yellow wire connector. Twist the connector tightly and push the wires back into the wiring compartment of the load center.

This completes the installation of the transfer switch for your refrigerator.

Repeat steps 1-6 for each of the remaining considering the following:

- See the following section for 240-volt circuits and the removal of handle ties if 240-volt circuits are not required.
- Remember to "balance the load"—dividing the appliances requiring higher wattage between the left and right sides of the transfer switch.

Figure 4



Installing 240-volt Circuits

Any two adjacent circuit selector switches may be used for a double-pole 240-volt circuit. Use a handle tie to connect the two circuit selector switches.

*Note: Circuits used for multi-wire branch circuits are not available for 240-volt circuits

Removing handle tie(s). If there are no 240-volt or multi-wire circuits in the transfer switch installation, handle-ties on the switches are not needed. To remove a handle tie, place the handle-tied switches in a position opposite of the other switches. Rotate the cylindrical spacer between the switches upward repeatedly until the threaded shaft is exposed on the right switch. Grab the threaded shaft and continue to rotate the spacer upward until the spacer is free, being carefully not to drop the spacer when it becomes free. Remove the shaft from the switch. If the shaft is not exposed after several revolution of the spacer, insert a small slot screwdriver in the hole in the right switch and continue rotating the spacer upward while the screw driver prevents the shaft from rotating.

Adding handle ties. If additional ties are needed to accommodate additional 240-volt or multi-wire circuits, they can be added to adjacent pairs of switches.



Warning: Transfer switch circuits with 20 amp breakers must be installed on only those branch circuits with 20 amp branch circuit breakers. Transfer switch circuits with 15 amp breakers can be installed on 15 or 20 amp branch circuits. **Do not install any transfer switch circuit on branch circuits greater than 20 amps, except in position A and B which must be 30 amps.**

Installing 240-volt circuit(s)

1. Locate the two red and two black wires from any adjacent circuit positions.
2. Turn off the double-pole breaker in the load center.
3. Loosen the screws that secure each wire to each circuit breaker. Disconnect the wires from the circuit breakers.
4. Feed the two red wires in Step 1 to the double-pole circuit breaker.
5. Cut the red wires to a convenient length. Strip 5/8" from the end of each wire. Connect the two **red wires** to the double-pole circuit **breaker**.
6. Cut the black wires to a length convenient for aligning with wires removed from the circuit breaker. Strip 5/8" from the end of each wire.
7. Insert one wire removed from the circuit breaker and one black wire into a yellow wire connector. Twist to tighten and push the wires back into the wiring compartment of the load center. Do the same for the other wire removed from the circuit breaker and the other black wire from the transfer switch.
8. Be sure that a handle tie is connected between the two circuit selector switches.

Repeat steps 1-8 for the other double-pole circuits.

30-Ampere Circuits. Only circuits A and B may be used for 30-amp. circuits. Follow the above wiring instructions for installing 240-volt circuits. If 30-amp. single-pole circuits are being used, refer to the previous section regarding installation of 120-volt circuits.

For models with C or D suffix, or to hard wire any cord-connected model, continue to the next section entitled "Hard-wire Installation" to complete the installation.

For models with a A or B suffix skip to "Inlet Installation for Indoor Models Used Outdoors" on page 7.

Hard-wire Installation

"Hard-wire" installation to a power inlet box located remotely from the transfer switch (*Figure 5*) requires additional steps to complete the installation. The wire connections to the wires from power inlet box are made in the circuit breaker compartment of the transfer switch. Access the circuit breaker compartment by removing the two screws located on the sides of the lower circuit breaker compartment cover. Replace when installation is complete.

From the transfer switch, connect:

- the black wire lead to the power inlet X or Y terminal
- the white wire lead to the power inlet neutral W terminal
- the red wire lead to the power inlet X or Y terminal
- the green wire lead to the power inlet ground G terminal.

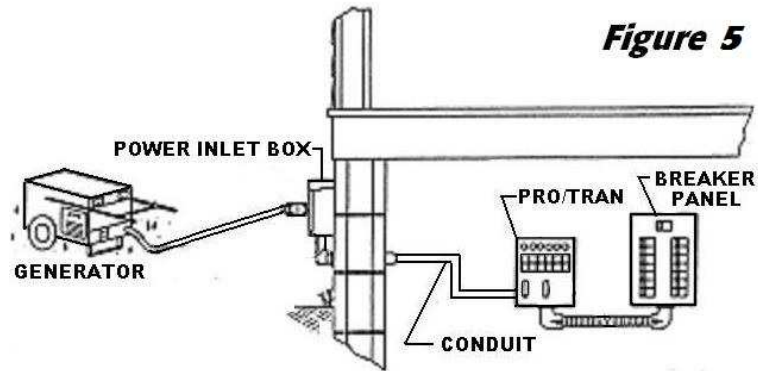


Figure 5

Inlet Installation (For indoor models installed outdoors)

Suffix A and B models have a power inlet included. The inlet can be installed on the unit by removing the circuit breaker compartment cover (described in the preceding section) and the power inlet filler plate, installing the inlet with the enclosed screws onto the wiring compartment cover, and connecting the wire leads to the inlet as described in the instructions included with the inlet. Make sure the unit is installed in a dry location.

Completing the Installation

When you have wired all the load circuits in the transfer switch, only the white neutral wire and the green ground wire remain.

1. Insert the white neutral wire into an unused opening in the neutral bar in the load center and tighten the screw (*Figure 4*).
2. Insert the green ground wire into an unused opening in the ground bar, if existing, and tighten the screw. If no ground bar exists, insert the green wire into an unused hole in the neutral bar and tighten the screw.
3. Replace the cover to the load center.
4. Fill in the chart on the transfer switch to identify your emergency circuits and corresponding circuit numbers in the load center.
5. Return all load center branch circuit and main breakers to the "ON" position.
6. Move all circuit selector switches on the transfer switch to the "LINE" position.

Installation is now complete.

Operating Instructions

Using your Reliance Transfer Switch and Your Portable Generator



**Warning: Do not operate a generator in an enclosed area.
Do not operate a generator where the exhaust
fumes can accumulate in an enclosed area.**

You want your generator to be ready when you need it. Therefore, it is important to perform the following steps at least once a month to keep the generator in peak running condition.

- Start and run your generator under load regularly.
- Keep the fuel tank filled with fresh fuel.

It is not necessary to turn off any circuits in the load center when supplying generator power with the transfer switch, even when the utility power is operating normally. The double-throw action of these switches prevents feeding generator power to the utility and, conversely, prevents feeding utility power to the generator.

Transferring from Utility Power to Generator Power

1. Plug the female connector of the generator power cord into the power inlet box or the power inlet on the transfer switch. All circuit selector switches on the transfer switch should be in the LINE or OFF position.
2. Insert the male plug of the power cord into the outlet on the generator.
3. Start the generator **outdoors**. Follow the procedures described in the generator owner's manual furnished by the manufacturer of the generator.
4. Select the circuits to be powered by the generator by moving the corresponding switches on the transfer switch to the GEN position. Use only necessary household items when under generator power.
5. Alternate use of larger loads (furnace motors, well pumps, refrigerators, etc.) to balance the load. See "Balancing the load" on page 4. Do not exceed the maximum wattage of the transfer switch.
6. A 15 amp. transfer switch circuit breaker will limit that circuit to a maximum of 15 amps when in the GEN position. If you have moved a circuit selector switch on such a 15-amp circuit to the GEN position that controls a branch circuit that normally draws more than 15 amps, it may be necessary to turn off some of the appliances on that circuit to avoid exceeding the 15-amp load for that circuit.
7. Determine circuit wattage by using the wattmeters on the transfer switch, or from the nameplate on each appliance or motor. Very small loads may not be sufficient to cause a meter to register.
8. Models with suffix -B and -D do not have watt meters. Determine wattage from the nameplate on each appliance or motor.
9. Make a note of any excessive loads. These loads must be turned off during generator operation.

Transferring from Generator Power to Utility Power

1. Return all circuit selector switches to the LINE position.
2. Follow the procedures in the generator owner's manual to turn off the generator.
3. Unplug the power cord.

Notes on Models Without Watt Meters

Check the nameplate on each appliance or motor and note the load for each. Determine the total running wattage of your generator. During an emergency situation with the generator running, the circuit selector switches should be in the OFF or LINE position when a particular load is not needed. Failure to limit the total load to the total running wattage may cause the generator to stall or create an undervoltage condition that could damage an appliance motor.

Specifications and Parts List

Model #	A304	A306	A506	A308	A310	A510
Max. Watts	7500	7500	12500	7500	7500	12500
Max. single-pole circuits	4	6	6	8	10	10
Max. double-pole and multi-wire circuits	2	3	3	4	5	5
# of handle ties provided	1	1	1	2	2	2
Max. combined loads @ 125 VAC	60A	60A	100A	60A	60A	100A
Max. combined loads @250VAC	30A	30A	50A	30A	30A	50A
Max. load/circuit from generator	2-30A 2-20A	2-30A 4-20A	2-30A 4-20A	2-30A 6-20A	2-30A 8-20A	2-30A 8-20A
Max. load/circuit from load center	2-30A 2-20A	2-30A 4-20A	2-30A 4-20A	2-30A 6-20A	2-30A 8-20A	2-30A 8-20A
Power inlet, NEMA* configuration	L14-30	L14-30	CS6375 <small>non-NEMA</small>	L14-30	L14-30	CS6375 <small>non-NEMA</small>
Minimum cord gauge	AWG 10	AWG 10	AWG 6	AWG10	AWG 10	AWG 6
No. of conductors (wires)	4	4	4	4	4	4
Conduit length	18"	18"	18"	18'	18"	18"
Conduit, trade-size diameter	¾"	¾"	¾"	1"	1"	1"
Optional Power Inlet Catalog #	PB30	PB30	PB50	PB30	PB30	PB50
*National Electrical Manufacturer's Association						

Transfer Switch Parts List

Description	Part#	Description	Part#
Circuit breaker, 15 A S.P.	RCB115	Power inlet, 20 A	L1420F
Circuit breaker, 20 A S.P.	RCB120	Power inlet, 30 A	L1430F
Circuit breaker, 20 A D.P.	RCB220	Power Inlet, 50 A	LL550F
Circuit breaker, 30 A D.P.	RCB230	Handle tie	A7830
Wattmeter, 20 / 30 A	7236-CP	Power Inlet Filler Panel	6271-CP
Wattmeter, 50 / 60 A	7239-CP	Switch, 30A SPDT	7801-CP
Current Transformer (C.T.)	7222-CP		

Warranty

Each Reliance transfer switch or accessory is guaranteed against mechanical or electrical failure due to manufacturing defects for a period of 60 months following shipment from the factory. The manufacturer's responsibility during this warranty period is limited to repair or replacement, free of charge, of products proving defective under normal use or service when returned to the factory, transportation charges prepaid. Guarantee is void on products that have been subjected to improper installation, misuse, alteration, abuse or unauthorized repair. The manufacturer makes no warranty with respect to the fitness of any goods for a user's particular application and assumes no responsibility for proper selection and installation of its products. This warranty is in lieu of all other warranties, expressed or implied, and limits the manufacturer's liability for damages to the cost of the product. This warranty gives you specific legal rights, and you may have other rights, which vary from state to state.



Reliance Controls Corporation / 2001 Young Court / Racine, WI 53404
 Phone: (800) 634-6155 Fax: (262) 634-6436