



Programmable Antenna Rotator VH226F User's Manual

Unpacking

Make sure the following pieces are in the box:

- (1) Drive unit
- (1) Control unit
- (1) Remote control

Hardware kit:

- (2) U Bolts
- (5) Rotor-Mounting Bolts
- (3) Short Brackets
- (1) Long Bracket (with guy-wire holes)
- (10) Nuts
- (8) Washers

Note: Bolts require a 10mm or adjustable wrench (not included).

Installing the Outdoor Drive Unit



Step 1: Attach cable to the drive unit

1. Run cable (not included) to the drive unit.
***IMPORTANT:** Up to 150' (46m) of 20AWG 3 conductor cable may be used. For longer runs, use heavier gauge wire.*
2. Unscrew the single screw on the bottom door. Swing the door open.
3. Insert the cable through the grommet on the side of the drive unit.
4. Separate the cable leads for 1.5" (4cm) and strip off the insulation for 0.5".

continues on next page...

Important Information

IMPORTANT SAFETY INSTRUCTIONS PLEASE READ AND SAVE FOR FUTURE REFERENCE

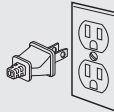
	CAUTION RISK OF ELECTRIC SHOCK DO NOT OPEN	
THE LIGHTNING FLASH AND ARROWHEAD WITHIN THE TRIANGLE IS A WARNING SIGN ALERTING YOU OF "DANGEROUS VOLTAGE" INSIDE THE PRODUCT.	CAUTION: TO REDUCE THE RISK OF ELECTRIC SHOCK, DO NOT REMOVE COVER (OR BACK). NO USER-SERVICEABLE PARTS INSIDE. REFER SERVICING TO QUALIFIED SERVICE PERSONNEL.	THE EXCLAMATION POINT WITHIN THE TRIANGLE IS A WARNING SIGN ALERTING YOU OF IMPORTANT INSTRUCTIONS ACCOMPANYING THE PRODUCT.
SEE MARKING ON BOTTOM / BACK OF PRODUCT		

WARNING:
TO PREVENT FIRE OR ELECTRICAL SHOCK HAZARD, DO NOT EXPOSE THIS PRODUCT TO RAIN OR MOISTURE.



This is class II equipment designed with double or reinforced insulation so it does not require a safety connection to electrical earth (US: ground).

The MAINS plug is used as the disconnect device, the disconnect device shall remain readily operable.



Plugging in for power AC OUTLET POWER SUPPLY: 100-240 V - 50/60 Hz
The AC power plug is polarized (one blade is wider than the other) and only fits into AC power outlets one way. If the plug will not go into the outlet completely, turn the plug over and try to insert it the other way. If it still does not fit, contact a qualified electrician to change the outlet, or use a different one. Do not attempt to bypass this safety feature.

Care and Maintenance

- Always use a soft cloth to clean the speaker and transmitter. Never use any product containing alcohol or other solvents as they may damage the surface.
- Use caution when plugging the power transformers in an AC outlet to avoid the risk of electric shock.
- If the speaker are used outside on a deck or patio, make sure you take them indoors in the event of a rainstorm to prevent possible damage.
- Do not operate or store the system in extreme temperatures.

CAUTION: Please keep the unit in a good ventilation environment. Do not install the equipment in a confined space, such as a book case or similar unit.

FCC Statement

This device complies with Part 15 of the FCC Rules. Operation is subject to the following two conditions:

- 1) This device may not cause harmful interference, and 2) This device must accept any interference received, including interference that may cause undesired operation.

Note: This equipment has been tested and found to comply with the limits for a Class B digital device, pursuant to part 15 of the FCC Rules. These limits are designed to provide reasonable protection against harmful interference in a residential installation. This equipment generates, uses, and can radiate radio frequency energy and, if not installed and used in accordance with the instructions, may cause harmful interference to radio communication. However, there is no guarantee that interference will not occur in a particular installation. If this equipment does cause harmful interference to radio or television reception, which can be determined by turning the equipment off and on, the user is encouraged to try to correct the interference by one or more of the following measures:

- Reorient or relocate the receiving antenna.
- Increase the separation between the equipment and receiver.
- Connect the equipment into an outlet on a circuit different from that to which the receiver is connected.
- Consult the dealer or an experienced radio/TV technician for help.

Caution: Changes or modifications not expressly approved by VOXX Accessories Corporation could void the user's authority to operate the equipment.

Industry Canada Regulatory Information
CAN ICES-3 (B)/NMB-3 (B)

Avis d'Industrie Canada
CAN ICES-3 (B)/NMB-3 (B)

For PLUGGABLE EQUIPMENT, the socket-outlet shall be installed near the equipment and shall be easily accessible.

Do not use this apparatus near water.

The apparatus shall not be exposed to dripping or splashing or placed near objects filled with liquids.

No naked flame sources, such as lighted candles, should be placed on the apparatus.

Only use attachments/accessories specified by the manufacturer.

Use only with the cart, stand, tripod, bracket, or table specified by the manufacturer, or sold with the apparatus. When a cart or rack is used, use caution when moving the cart/apparatus combination to avoid injury from tip-over.

WARNING: Please refer the information on exterior bottom enclosure for electrical and safety information before installing or operating the apparatus.

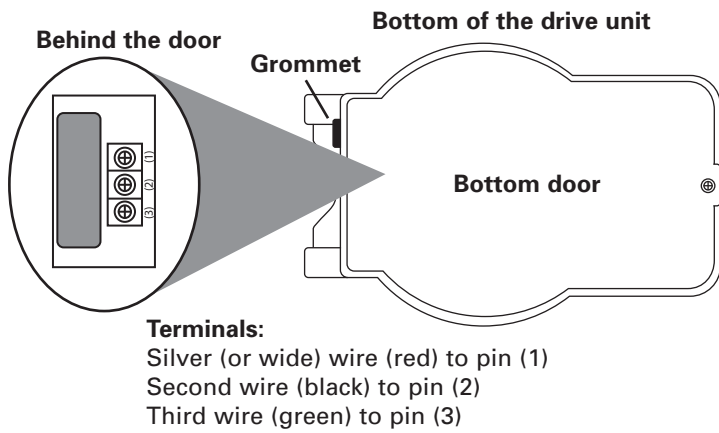
Important Safety Instructions

1. Read these instructions.
2. Keep these instructions.
3. Heed all warnings.
4. Follow all instructions.
5. Do not use this apparatus near water.
6. Clean only with dry cloth.
7. Do not block any ventilation openings. Install in accordance with the manufacturer's instructions.
8. Do not install near any heat sources such as radiators, heat registers, stoves, or other apparatus (including amplifiers) that produce heat.
9. Do not defeat the safety purpose of the polarized or grounding-type plug. A polarized plug has two blades with one wider than the other. A grounding type plug has two blades and a third grounding prong. The wide blade or the third prong are provided for your safety. If the provided plug does not fit into your outlet, consult an electrician for replacement of the obsolete outlet.
10. Protect the power cord from being walked on or pinched particularly at plugs, convenience receptacles, and the point where they exit from the apparatus.
11. Only use attachments/accessories specified by the manufacturer.
12. Use only with the cart, stand, tripod, bracket, or table specified by the manufacturer, or sold with the apparatus. When a cart is used, use caution when moving the cart/apparatus combination to avoid injury from tip-over.
13. Unplug this apparatus during lightning storms or when unused for long periods of time.
14. Refer all servicing to qualified service personnel. Servicing is required when the apparatus has been damaged in any way, such as power-supply cord or plug is damaged, liquid has been spilled or objects have fallen into the apparatus, the apparatus has been exposed to rain or moisture, does not operate normally, or has been dropped.

Product Information

Keep your sales receipt to obtain warranty parts and service and for proof of purchase. Attach it here and record the serial and model numbers in case you need them. These numbers are located on the product.

Model No.: _____
 Purchase Date: _____
 Dealer/Address/Phone: _____



IMPORTANT: To avoid moisture collecting in the cable make sure the cable jacket passes thru the grommet.

- Find the silver- or wide-jacketed lead and connect it to pin (1). Connect the adjacent lead to pin (2). Connect the third lead to pin (3). If 4-wire cable is used, connect both wire 3 and 4 to pin (3).

IMPORTANT: Make sure there are no loose strands which can short between terminals.

- Doublecheck the wiring order. Close the door and screw it back into place.

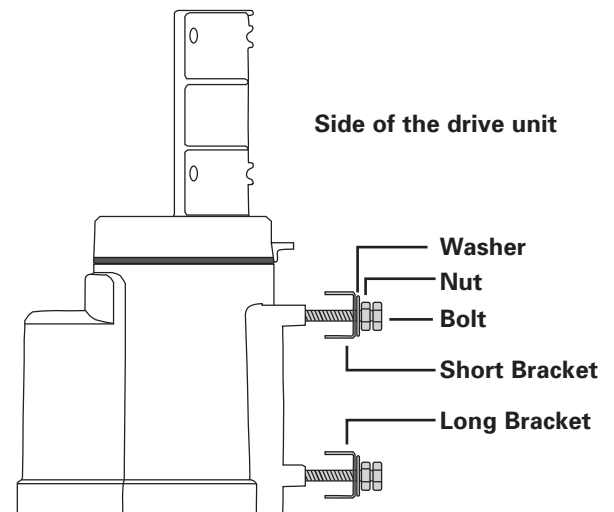
Step 2: Mount the drive unit

If you're not mounting the unit inside a tower, you'll need to mount it to a separate mast (not included). This kit comes with the necessary hardware for mounting.

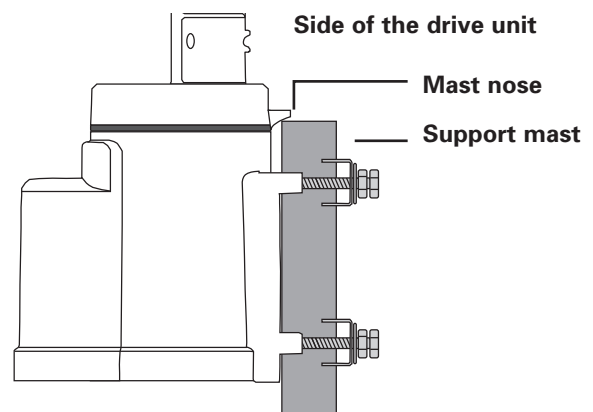
CAUTION: Select a mounting location where the antenna cannot come in contact with power lines while it is being installed, and where the installation will not fall across power lines if a guy wire should fail.

- Screw four nuts onto four rotor-mounting bolts. Screw each nut all the way to the head of each bolt. Then put one washer on each of the bolts, next to the nut.
- Place a short bracket over two of the bolts, with the flat section of the bracket snug against the washerless nuts. Place the long bracket over the other two bolts the same way.
- Screw the short bracket/bolt assembly into the top two holes on the side of the drive unit base. Screw the long bracket/bolt assembly into the bottom two holes. Screw each bolt as far as it will go into the drive unit.

- Position the brackets and nuts/washers so that they leave just enough room for the support mast to go through.



- Lower the drive unit onto the support mast until it stops on the mast nose of the drive housing. Tighten the nuts. Moderate tightening with a 10mm or adjustable wrench will cause the teeth to grip the mast securely.



IMPORTANT: Do not overtighten to the point that you deform the mast, since this will reduce its strength. The drive unit is designed for 1.25" diameters but will accommodate up to 2" diameter support masts.

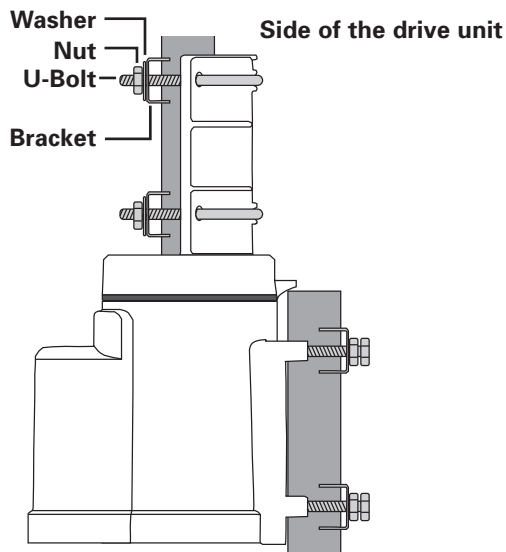
- (Optional) Attach guy wires (not included) to the holes in the bottom bracket.

Step 3: Install the antenna/cable

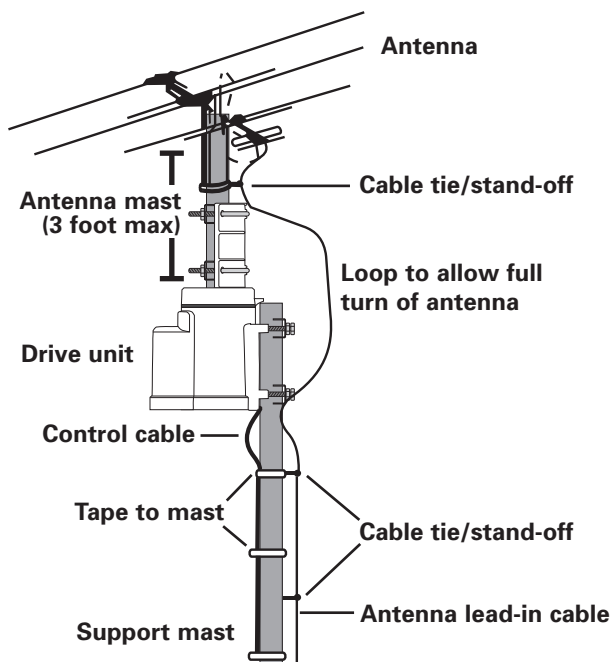
1. Insert the 2 U-bolts through the back of the rotor section of the drive unit.
2. Place the remaining 2 brackets over the ends of the U-bolts.
3. Put a washer and nut on the very end of the U-bolts to keep the brackets in place.
4. Position the brackets and nuts/washers so that they leave just enough room for the antenna mast to go through.

Note: Use no more than 3 feet of antenna mast between the rotor and the antenna itself.

5. Lower the antenna mast between the brackets and the rotor. Tighten the nuts. Moderate tightening with a 10mm or adjustable wrench will cause the teeth to grip the mast securely.



6. After connecting the antenna lead-in cable to the antenna, fasten it to the antenna mast using cable tie/stand-off insulators or electrical tape (not included) as shown. Provide a generous loop at the drive unit.

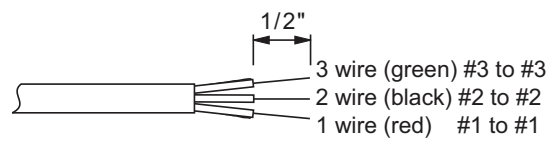


7. Attach the lead-in cable to the support mast with cable tie/stand-off insulators (not included) approximately every four feet.
8. Tape the rotator control cable directly to the support mast.

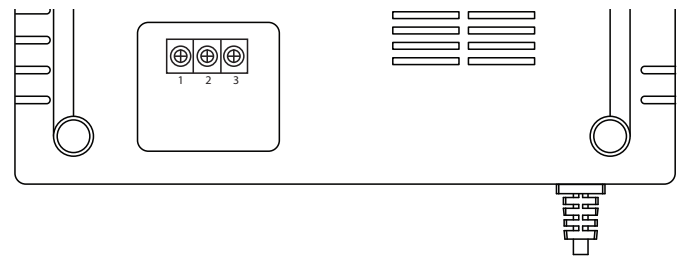
Installing and Programming the Indoor Control Unit

Step 1: Set up to the control unit

1. Determine the length of cable needed to run between the outdoor and indoor units. Cut the cable to that length.
2. Strip about 1/2" of the jacket off the end of each wire.



3. Insert each bare wire into the connector plate on the control unit's back panel as shown below.



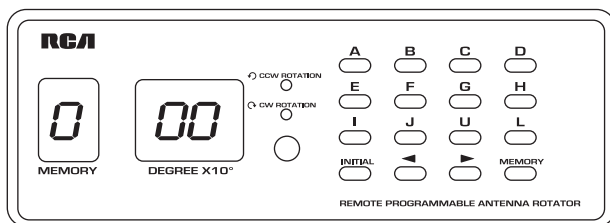
4. Release jacket to secure on connector.
5. Plug power cord of the control unit into an AC outlet.
6. Turn on the unit by putting the switch on the right side of the control unit in the on position.

The **MEMORY** display on the front panel reads **0**, and the **DEGREE X 10** display reads **00**.

Step 2: Initialize the control unit

1. Make sure the control unit is on (if it isn't, put the switch on the right side of the unit in the on position).
2. Press the **INITIAL** button on the control unit's front panel. The control unit and rotator are initializing to prepare for initial setup. The **MEMORY** and **DEGREE X10** indicators blink during this process, which takes about a minute and a half.

When the **MEMORY** and **DEGREE X10** indicators stop blinking, the control unit and rotator are ready for setup.



3. Check to make sure the control and drive units are properly calibrated by looking at the position of the drive unit and antenna at different **DEGREE X10** readings. Use the > and < buttons on the control unit to go to the following **DEGREE X 10** readings, then check the drive unit/antenna position.

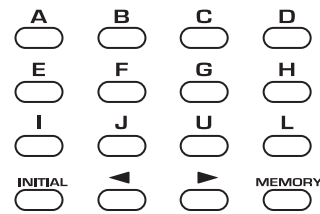
DEGREE X10 reads...	Drive unit/antenna position
00	Starting position
09	90° clockwise from start
18	180° from start
27	270° clockwise from start
36	Starting position

If the DEGREE X10 reading and the drive unit/antenna position don't match, go to the **Recalibrating the Rotator** section on the next page.

NOTE: A strong storm or power failure may cause the rotator to change position. Use the **INITIAL** button to re-synchronize the system. If this reset procedure doesn't get the desired results, the antenna of driver motor may be misaligned on the antenna mast. You can either go to the antenna and re-orient it or program the control unit to correspond to the new antenna orientation.

Step 3: Program the control unit

1. Tune your TV to the station that you want to receive.
2. While watching your TV screen, press the < and > buttons on the control unit's front panel to move the antenna clockwise (>) and counter-clockwise (<) until you find the position that gives you the best reception for this channel.
3. When you've found the best antenna position for this channel, press the **MEMORY** button on the control unit's front panel. The **MEMORY** and **DEGREE X10** indicators blink.



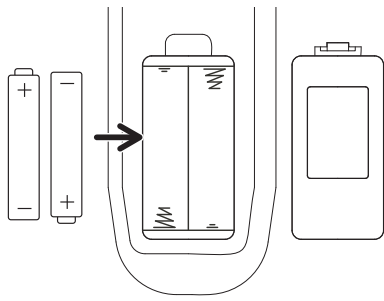
4. Press one of the letter buttons on the control unit's front panel to store the antenna position for this station to that button. The **DEGREE X10** indicator shows the degree of the antenna's position.

Note: Using a letter button that already has a position stored to it in this step erases the old position stored and stores the new one.

5. Use the Memory Location Chart that comes with this product for recording the channel and antenna position corresponding to each letter button. Write down this information on this chart.
6. Repeat steps 3-7 for the next TV station. Choose a different letter button to store its location.

You can store up to 12 antenna positions so that you can easily find the best reception for each TV station.

Step 4: Install batteries in the remote



1. Press and push the battery compartment cover to remove it.
2. Insert the batteries, matching the batteries to the (+) and (-) marks inside the battery compartment.
3. Push the battery cover back into place.

Battery Precautions:

- Do not mix old and new batteries.
- Do not mix alkaline, standard (carbon-zinc) or rechargeable (nickel cadmium) batteries.
- Always remove old, weak or worn-out batteries promptly and recycle or dispose of them in accordance with Local and National Regulations.

Using the Programmable Antenna Rotator

To go to a programmed antenna position: Press the letter button for that position on the remote or on the control unit's front panel.

The drive unit turns the antenna to that position, and the control unit displays the position of the antenna in degrees.

To stop the rotator while it's going to a programmed position: Turn the control unit off, then turn it back on. Press the **INITIAL** button to resynchronize the unit.

To fine-tune the antenna position (or position manually): Press the > or < buttons on the remote control or control unit's front panel to move the antenna clockwise (>) or counter-clockwise (<).

Re-Calibrating the Rotator

This antenna rotator comes from the factory calibrated and ready to set up. However, if you notice that the control unit's display and the drive unit's position do not match (for example, if the display reads 30 but the antenna has done a complete 360-degree rotation), you can recalibrate the rotator to make them match again.

1. Press the **INITIAL** button to return the drive unit to its starting position—the line on the rotator section of the drive unit should line up with the line on the base once this is finished.
2. Press the **INITIAL** button a second time to completely reset the control and drive units.
3. Press and hold the **INITIAL** and > buttons on the control unit's front panel—make sure you press the **INITIAL** button slightly before the > button. Keep holding these buttons down as the display starts counting **up** in seconds.
If the display starts counting **down** from 36, the control unit is in initialization mode, not calibration mode. Let the rotator finish initialization, then try step 2 again, this time pressing the > button more quickly after the **INITIAL** button.
4. Watch the antenna and drive unit—when it completes a full 360-degree turn, release the **INITIAL** and > buttons on the control unit. This typically takes about 57 seconds.

The **DEGREE X10** indicator displays the rotator cycle time. The control unit uses this information to keep the antenna positions and program locations synchronized.

Resetting the Memory Buttons

Resetting the control unit's memory buttons erases all programmed antenna positions.

1. Turn off the control unit.
2. Press and hold the **D** button on the control unit's front panel.
3. While holding the **D** button, turn the control unit back on. The **CCW** and **CW** indicators light up.
4. Release the **D** button and turn the unit back off.
5. Turn the unit back on a second time. The unit will perform the initialization procedure.

The **MEMORY** on the front panel reads **0**, and the **DEGREE X10** display reads **00**. The unit is resetting its memory.

12 Month Limited Warranty

Voxx Accessories Corporation (the "Company") warrants to the original retail purchaser of this product that should this product or any part thereof, under normal use and conditions, be proven defective in material or workmanship within 12 months from the date of original purchase, such defect(s) will be repaired or replaced with new or reconditioned product (at the Company's option) without charge for parts and repair labor.

To obtain repair or replacement within the terms of the warranty, the product is to be delivered with proof of warranty coverage (e.g. dated bill of sale), specification of defect(s), transportation prepaid, to an approved warranty station. For the location of the nearest warranty station to you, call toll-free to our control office: 1-800-645-4994.

This Warranty is not transferable and does not cover product purchased, serviced or used outside the United States or Canada. The Warranty does not extend to the elimination of externally generated static or noise. This Warranty does not apply to costs incurred for installation, removal or reinstallation of the product, or, if in the Company's opinion, the product has been damaged through acts of nature, alteration, improper installation, mishandling, misuse, neglect, or accident. This Warranty does not cover damage caused by an AC adapter not provided with the product.

THE EXTENT OF THE COMPANY'S LIABILITY UNDER THIS WARRANTY IS LIMITED TO THE REPAIR OR REPLACEMENT PROVIDED ABOVE AND, IN NO EVENT, SHALL THE COMPANY'S LIABILITY EXCEED THE PURCHASE PRICE PAID BY PURCHASER FOR THE PRODUCT.

This Warranty is in lieu of all other express warranties or liabilities. ANY IMPLIED WARRANTIES, INCLUDING ANY IMPLIED WARRANTY OF MERCHANTABILITY OR FITNESS FOR A PARTICULAR PURPOSE, SHALL BE LIMITED TO DURATION OF THIS WARRANTY. ANY ACTION FOR BREACH OF ANY WARRANTY HEREUNDER, INCLUDING ANY IMPLIED WARRANTY, MUST BE BROUGHT WITHIN A PERIOD OF 24 MONTHS FROM THE DATE OF ORIGINAL PURCHASE. IN NO CASE SHALL THE COMPANY BE LIABLE FOR ANY CONSEQUENTIAL OR INCIDENTAL DAMAGES WHATSOEVER. No person or representative is authorized to assume for the Company any liability other than expressed herein in connection with the sale of this product.

Some states/provinces do not allow limitations on how long an implied warranty lasts or the exclusion or limitation of incidental or consequential damage so the above limitations or exclusions may not apply to you. This Warranty gives you specific legal rights and you may also have other rights which vary from state/province to state/province.

Desempaque

Asegúrese que la caja contenga las siguientes piezas:

(1) Unidad de mando

(1) Unidad de control

(1) Control remoto

Juego de herrajes:

(2) Pernos en U

(5) Pernos de montaje del rotor

(3) Soportes cortos

(1) Soporte largo (con orificios para cables de sujeción)

(10) Tuercas

(8) Arandelas

Aviso: Los pernos requieren una llave ajustable o de 10 mm (no incluidas).

Instalación de la unidad de mando para exteriores

Paso 1: Conecte el cable en la unidad de mando.

1. Tienda el cable (no incluido) hacia la unidad de mando.

IMPORTANTE: Puede utilizarse hasta 150 pies (46 m) de cable de 3 conductores 20AWG. Para mayores distancias de cable, utilice un cable de mayor calibre.

2. Desenrosque el tornillo de la puerta inferior. Abra la puerta.



3. Inserte el cable a través del ojal que se encuentra en un lado de la unidad de mando.

4. Separe los conductores del cable hasta una longitud de 1.5 pulgadas (4 cm) y desforre el aislamiento hasta una longitud de 0.5 pulgadas (1.27 cm).

continúa en la siguiente página...

Información Importante

IMPORTANTE INSTRUCCIONES DE SEGURIDAD FAVOR DE GUARDAR ESTO PARA UNA REFERENCIA FUTURA

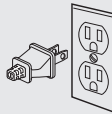
 EL SIMBOLO DEL RELÁMPAGO TERMINADO EN FLECHA DENTRO DE UN TRIÁNGULO EQUILÁTERO ADIERTE AL USUARIO DE LA PRESENCIA DE "VOLTAJE PELIGROSO" DENTRO DEL PRODUCTO	PRECAUCIÓN RIESGO DE CHOQUE ELÉCTRICO NO ABRIR PRECAUCIÓN: PARA EVITAR EL RIESGO DE CHOQUE ELÉCTRICO, NO REMUEVA LA CUBIERTA (O LA PARTE POSTERIOR), DENTRO NO HAY PARTES QUE REQUIERAN SERVICIO POR PARTE DEL USUARIO. REFIERA EL SERVICIO A PERSONAL TÉCNICO CALIFICADO.	 EL SIMBOLO DE ADMIRACIÓN DENTRO DEL TRIANGULO ES UN SIGNO DE ADVERTENCIA ALERTÁNDOLE DE INSTRUCCIONES IMPORTANTES QUE ACOMPAÑAN AL PRODUCTO.
VEA LAS MARCAS EN LA PARTE INFERIOR / POSTERIOR DEL PRODUCTO		

ADVERTENCIA: PARA EVITAR PELIGRO DE CHOQUE ELÉCTRICO O INCENDIO, NO EXPONGA ESTE PRODUCTO A LA LLUVIA O LA HUMEDAD.



Este es un equipo clase II diseñado con doble aislamiento o refuerzo de manera que no requiera una conexión de seguridad a tierra eléctrica (EE.UU.: tierra).

El enchufe de la red eléctrica (MAINS) se utiliza como el dispositivo de desconexión, éste deberá estar siempre listo para funcionar.



Conexión a la red FUENTE DE ALIMENTACIÓN CA: 100 – 240 V - 50/60 Hz
La toma de alimentación CA está polarizada (una de las clavijas es más ancha que la otra) y solo encaja en la toma de alimentación CA en un sentido. Si la clavija no encaja completamente en el enchufe, dé la vuelta a la clavija e insértela de la otra forma. Si sigue sin encajar, póngase en contacto con un electricista calificado para que cambie el enchufe o utilice uno distinto. No intente puentear este dispositivo de seguridad.

Cuidado y Mantenimiento

- Siempre utilice un paño suave para limpiar el altavoz y el transmisor. Nunca utilice productos que contengan alcohol u otros solventes ya que estos podrían ocasionar daños a la superficie.
- Tenga precaución al enchufar los transformadores de potencia en un tomacorriente de CA para evitar el riesgo de choque eléctrico.
- Si se utiliza el altavoz en una terraza o patio, asegúrese de almacenarlo en el interior en caso de tormentas para evitar posibles daños.
- No utilice ni almacene el sistema en condiciones de temperaturas extremas.

ATENCIÓN: Por favor mantenga la unidad en un entorno con buena ventilación. No instale el equipo en un espacio cerrado, tal como en una estantería de libros o una unidad similar.

Declaración de la Comisión Federal de Comunicaciones de los Estados Unidos

Este dispositivo cumple con la Parte 15 de las Reglas de la FCC. Su funcionamiento está sujeto a las siguientes dos condiciones:

1) Este dispositivo no debe causar interferencia y 2) Este dispositivo debe aceptar toda interferencia recibida, incluida aquella que puede causar un funcionamiento no deseado.

Aviso: Este equipo ha sido probado, y se consideró que cumple con los límites de los aparatos digitales de Clase B, de acuerdo con las especificaciones de la Parte 15 de las Reglas de la FCC. El objetivo de estos límites es ofrecer una protección razonable contra interferencias nocivas en una instalación residencial. Este equipo genera, utiliza y puede radiar energía de radiofrecuencia y, si no se instala y utiliza de acuerdo con estas instrucciones, puede generar interferencia perjudicial para las radiocomunicaciones. Sin embargo, no se garantiza que no se producirá interferencia en una instalación en particular.

Si su equipo causa interferencia perjudicial para la recepción de radio o televisión, que se puede averiguar apagando y encendiendo el equipo, intente corregirla mediante uno o varios de los siguientes procedimientos:

- Vuelva a orientar o cambie de lugar la antena receptora.
 - Aumente la separación entre el equipo y el receptor.
 - Conecte este equipo a un tomacorriente en un circuito diferente al que esté conectado el receptor.
 - Consulte al distribuidor o a un técnico experimentado de radio y televisión para solicitar asistencia.
- Atención: Los cambios o modificaciones no aprobados expresamente por VOXX Accessories Corporation podrían anular la autoridad del usuario conferida para utilizar este equipo.

Información Regulatoria de la Industria Canadiense
CAN ICES-3 (B)/NMB-3 (B)

Información sobre el Producto

Guarde el recibo como prueba de su compra y preséntelo para obtener repuestos o solicitar servicio bajo garantía. Anéxelo aquí y anote los números de serie y de modelo para referencia en caso necesario. Estos números se encuentran en el producto.

Número de modelo: _____

Fecha de Compra: _____

Distribuidor/Dirección/Teléfono: _____

Para EQUIPO ENCHUFABLE, el conector-tomacorriente debe instalarse cerca del equipo y ser de fácil acceso.

No use este aparato cerca del agua.

El aparato no deberá exponerse a goteos o salpicadura, ni colocarse cerca de objetos que contengan líquidos.

Ninguna fuente de fl ama abierta, tal como velas encendidas, deberá colocarse sobre el aparato.

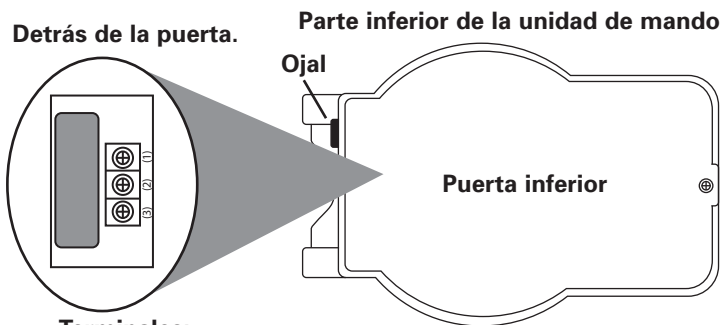
Use solamente accesorios/aditamentos especificados por el fabricante.

Use solamente con el carro, soporte, trípode, consola, o mesa especificados por el fabricante, o vendidos con el aparato. Cuando se utiliza un carro, tenga precaución al mover la combinación de carro/aparato para evitar lesión ocasionada por volcadura.

ADVERTENCIA: Por favor, consulte la información en el cierre inferior exterior sobre seguridad eléctrica y seguridad antes de instalar o manejar el aparato.

Importantes Instrucciones de Seguridad

1. Lea estas instrucciones.
2. Guarde estas instrucciones.
3. Preste atención a todas las advertencias.
4. Acate todas las instrucciones.
5. No use este aparato cerca del agua.
6. Limpie sólo con un trapo seco.
7. No obstruya ningún orificio de ventilación. Instale en conformidad con las instrucciones del fabricante.
8. No instale cerca de fuentes térmicas, como radiadores, reguladores de calefacción, cocinas y otros aparatos que generen calor (incluidos los amplificadores).
9. No anule el propósito de seguridad que tiene el enchufe polarizado o puesto a tierra. Un enchufe polarizado tiene dos paletas, una más ancha que la otra. Un enchufe puesto a tierra tiene dos paletas y una espiga de conexión a tierra. La paleta más ancha, o la tercera espiga se incluyen por su seguridad. Si el enchufe provisto no encaja en su tomacorriente, solicítelo a un electricista que reemplace ese tomacorriente obsoleto.
10. Proteja el cable de alimentación de modo que no resulte pisado ni aprisionado, especialmente en el enchufe, la caja de contacto y el punto por donde sale del aparato.
11. Use sólo accesorios especificados por el fabricante.
12. Use sólo con el carrito, base, trípode, soporte o mesa que especifica el fabricante o que se vende con el aparato. Si usa un carrito, tenga cuidado al moverlo junto con el aparato para evitar que se voltee y haga daño.
13. Desenchufe este aparato en caso de tormentas o de lapsos prolongados de inactividad.
14. Solicite al personal técnico calificado todo tipo de mantenimiento del producto. Es necesario darle mantenimiento al aparato si ha sido averiado de alguna forma, por ejemplo, si se ha dañado el cable de alimentación o el enchufe, si se le ha derramado algún líquido encima, si han caído objetos en su interior, si ha sido expuesto a la lluvia o la humedad, si no funciona correctamente o si se ha dejado caer.



Terminales:

- Conductor plateado (o ancho) (rojo) a la clavija (1)
- Segundo conductor (negro) a la clavija (2)
- Tercer conductor (verde) a la clavija (3)

IMPORTANTE: Para evitar la acumulación de humedad en el cable, asegúrese que la cubierta del cable pase a través del ojal.

5. Encuentre el conductor con cubierta plateada o ancha y conéctelo a (1). Conecte el conductor adyacente a (2). Conecte el tercer conductor a (3). Si se utiliza un cable con 4 conductores, conecte los conductores 3 y 4 a (3).

IMPORTANTE: Asegúrese que no haya hilos sueltos que puedan ocasionar un cortocircuito entre las terminales.

6. Verifique nuevamente el orden del cableado. Cierre la puerta y fíjela con el tornillo.

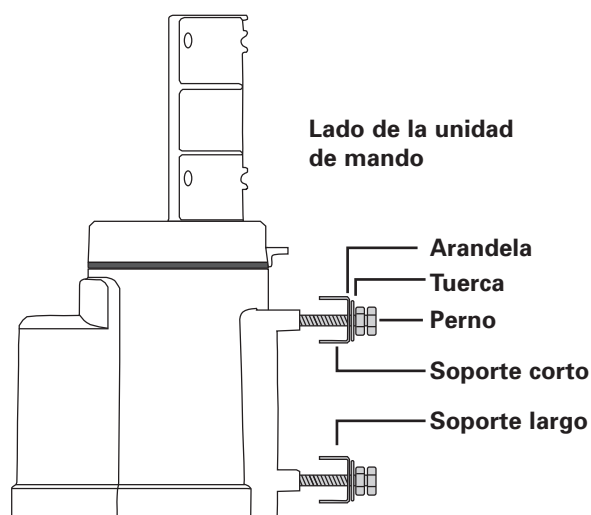
Paso 2: Monte la unidad de mando.

Si no va a montar la unidad dentro de una torre, tendrá que montarla en un mástil separado (no suministrado). Este juego incluye el herraje de montaje necesario.

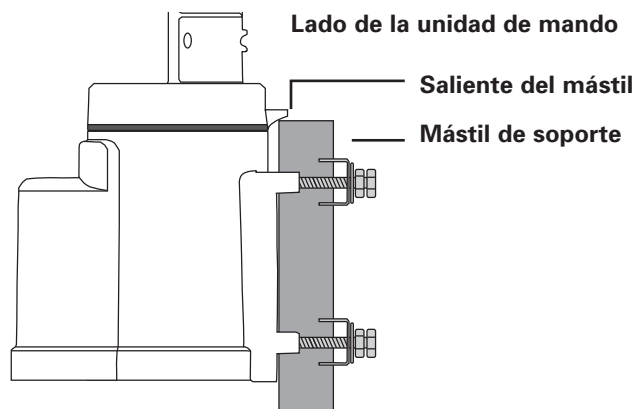
ATENCIÓN: Seleccione una ubicación de montaje donde la antena no pueda entrar en contacto con líneas de alimentación eléctrica mientras se esté llevando a cabo la instalación, y donde la instalación no caiga sobre líneas de alimentación eléctrica si fallara algún cable de sujeción.

1. Enrosque cuatro tuercas en los cuatro pernos de montaje del rotor. Enrosque completamente cada tuerca hasta la cabeza de cada perno. Luego coloque una arandela en cada uno de los pernos, al lado de la tuerca.
2. Coloque un soporte corto sobre dos de los pernos, con la sección plana del soporte bien ceñida contra las tuercas sin arandela. Coloque el soporte largo sobre los otros dos pernos de la misma manera.
3. Enrosque el conjunto de soporte corto y pernos en los dos orificios superiores ubicados en el lado de la base de la unidad de mando. Enrosque el conjunto de soporte largo y pernos en los dos orificios inferiores. Enrosque cada perno tanto como pueda en la unidad de mando.

4. Coloque los soportes y las tuercas/arandelas de forma que dejen espacio suficiente para que el mástil de soporte pueda atravesar.



5. Descienda la unidad de mando sobre el mástil de soporte hasta que tope en el saliente del mástil del alojamiento de la unidad de mando. Apriete las tuercas. Un apriete moderado con una llave ajustable o de 10 mm causará que los dientes sujeten firmemente el mástil.



IMPORTANTE: No apriete demasiado hasta el punto que se deforme el mástil, ya que esto reducirá su resistencia. La unidad de mando está diseñada para diámetros de 1.25 pulgadas (3.2 cm), pero acomodará mástiles de soporte de hasta 2 pulgadas (5.1 cm) de diámetro.

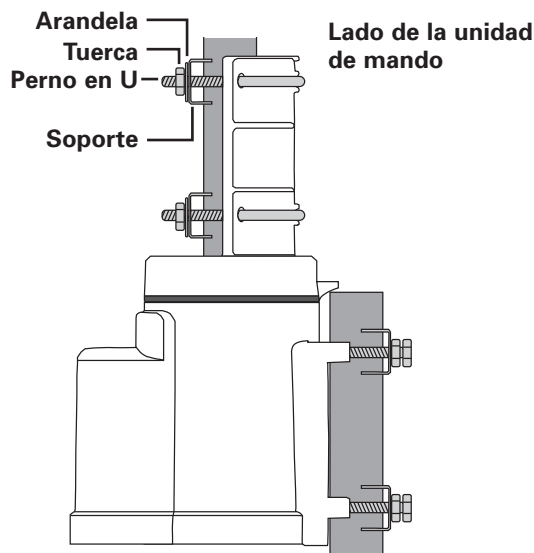
6. (Opcional) Instale cuatro cables de sujeción (no incluidos) en los orificios del soporte inferior.

Paso 3: Instale la antena/cable

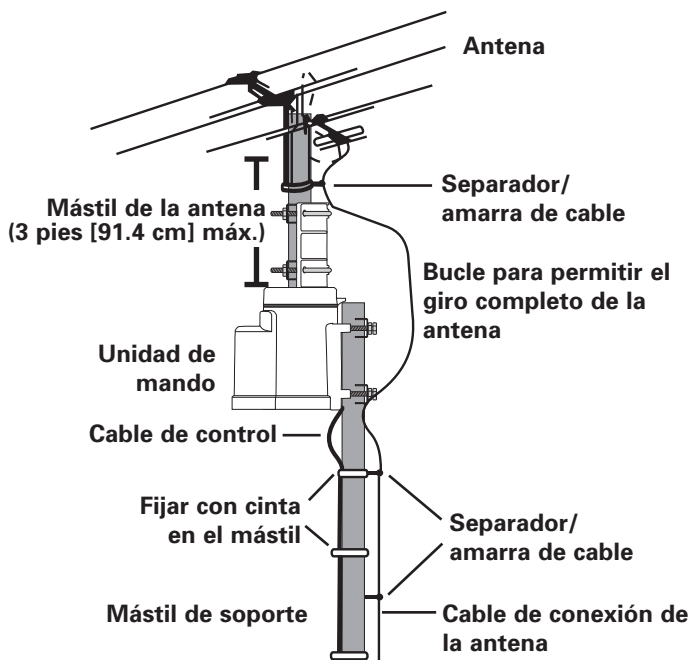
1. Inserte los 2 pernos en U a través de la parte posterior de la sección del rotor de la unidad de mando.
2. Coloque los 2 soportes restantes sobre los extremos de los pernos en U.
3. Coloque una arandela y una tuerca en el extremo de los pernos en U para mantener fijos los soportes.
4. Coloque los soportes y las tuercas/arandelas de forma que dejen espacio suficiente para que el mástil de la antena pueda atravesar.

Aviso: Utilice una longitud de mástil de antena no superior a 3 pies (91.4 cm) entre el rotor y la antena.

5. Descienda el mástil de la antena entre los soportes y el rotor. Apriete las tuercas. Un apriete moderado con una llave ajustable o de 10 mm causará que los dientes sujeten firmemente el mástil.



6. Después de conectar el cable de conexión de la antena a la antena, fíjelo en el mástil de la antena usando aisladores de separación/amarras de cable o cinta aislante (no suministrados) según se muestra. Deje un bucle holgado en la unidad de mando.

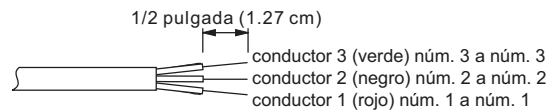


7. Fije el cable de conexión en el mástil de soporte usando aisladores de separación/amarras de cable (no suministrados), colocados aproximadamente a cada 4 pies (1.2 metros).
8. Fije con cinta el cable de control del rotador directamente en el mástil de soporte.

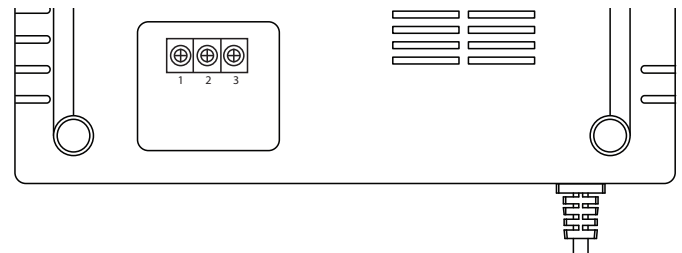
Instalación y programación de la unidad de control interior

Paso 1: Acople a la unidad de control

1. Determine la longitud de cable necesaria que se tenderá entre las unidades exterior e interior. Corte el cable a dicha longitud.
2. Desforre aproximadamente 0.5 pulgada (1,27 cm) de la cubierta en el extremo de cada conductor.



3. Inserte cada cable desnudo en la placa de conexión del panel posterior de la unidad de control según se muestra abajo.



4. Suelte la cubierta para fijarlo en el conector.

IMPORTANTE: La unidad se debe cablear correctamente. El cableado incorrecto puede ocasionar daños.

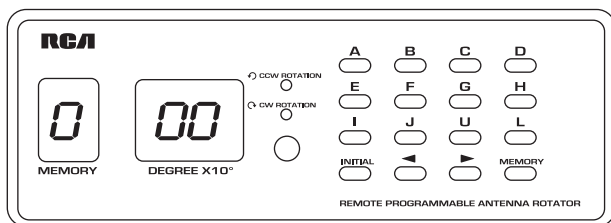
5. Enchufe el cable de alimentación de la unidad de control en un tomacorriente de CA.
6. Encienda la unidad. Para hacer esto, ponga el interruptor que está en el lado derecho de la unidad de control en la posición on (encendido).

El indicador **MEMORY** (MEMORIA) en el panel frontal mostrará **0**, y el indicador **DEGREE X10** (GRADO X10) mostrará **00**.

Paso 2: Inicialice la unidad de control.

1. Asegúrese de que la unidad de control esté encendida (si no está encendida, ponga el interruptor que está en el lado derecho de la unidad de control en la posición on (encendido)).
2. Oprima el botón **INITIAL** en el panel frontal de la unidad de control. La unidad de control y el rotador se inicializan en preparación para el ajuste inicial. Los indicadores **MEMORY** y **DEGREE X10** parpadearán durante este proceso, que tomará aproximadamente minuto y medio.

Cuando los indicadores **MEMORY** y **DEGREE X10** dejen de parpadear, la unidad de control y el rotador se encontrarán listos para el ajuste.



3. Verifique que las unidades de control y mando estén correctamente calibradas. Para hacer esto, observe la posición de la unidad de mando y antena a diferentes lecturas de **DEGREE X10** (GRADO X10). Utilice los botones > y < en la unidad de control para ir a las siguientes lecturas de **DEGREE X10**, luego verifique la posición de unidad de mando/antena.

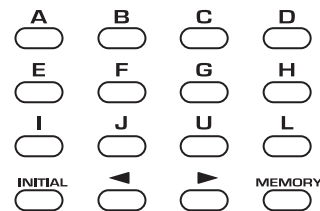
DEGREE X10 indica...	Posición de unidad de mando/antena
00	Posición inicial
09	90° hacia la derecha desde la posición inicial
18	180° desde la posición inicial
27	270° hacia la derecha desde la posición inicial
36	Posición inicial

Si la lectura de **DEGREE X10** y la posición de unidad de mando/antena no coinciden, pase a la sección **Recalibración del rotador** en la página siguiente.

AVISO: Una tormenta severa o una interrupción de potencia podrían causar que el rotador cambie de posición. Utilice el botón **INITIAL** para volver a sincronizar el sistema. Si el proceso de restablecimiento no produce los resultados esperados, la antena del motor de la unidad de mando podría estar desalineada en el mástil de la antena. Puede volver a orientar la antena o programar la unidad de control para que corresponda con la nueva orientación de la antena.

Paso 3: Programe la unidad de control.

1. Sintonice el televisor en la emisora que desea recibir.
2. Mientras ve TV, oprima los botones < y > en el panel frontal de la unidad de control para mover la antena hacia la derecha (>) y hacia la izquierda (<) hasta encontrar la posición que le brinde la mejor recepción para dicho canal.
3. Cuando haya encontrado la mejor posición de la antena para ese canal, oprima el botón **MEMORY** en el panel frontal de la unidad de control. Los indicadores **MEMORY** y **DEGREE X10** parpadearán.



4. Oprima uno de los botones de letra en el panel frontal de la unidad de control para asignarle a ese botón la posición de la antena para esta emisora. El indicador **DEGREE X10** mostrará el grado de la posición de la antena.

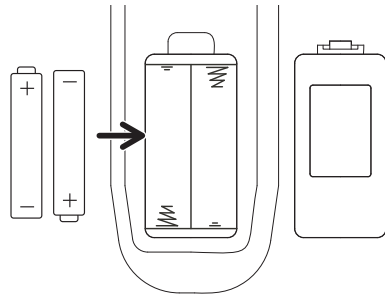
Aviso: Si en este paso se utiliza un botón de letra al cual se le haya asignado previamente una posición, se borrará la posición anterior asignada a ese botón y se le asignará la nueva.

5. Utilice la Tabla de Ubicaciones de Memoria que viene con este producto para anotar la posición de antena y canal correspondiente a cada botón de letra. Anote esta información en la tabla.
6. Repita los pasos 3 a 7 para la siguiente emisora de TV. Seleccione un botón de letra diferente para asignar su ubicación.

Puede asignar hasta 12 posiciones de antena para encontrar con facilidad la mejor recepción para cada emisora de TV.

Paso 4: Instale las baterías en el control remoto.

1. Oprima y empuje la tapa del compartimiento de las baterías para retirarla.
2. Inserte las baterías, cerciorándose de que las polaridades (+) y (-) correspondan con las marcas de polaridad que aparecen en el compartimiento de las baterías.
3. Vuelva a colocar la tapa del compartimiento de las baterías en su posición.



Precauciones sobre las Baterías:

- No combine baterías nuevas y viejas.
- No combine diferentes tipos de baterías: alcalinas, estándar (carbón-zinc) o recargables (níquel-cadmio).
- Siempre extraiga prontamente las baterías viejas, débiles o desgastadas, y recíclelas o deséchelas de acuerdo con las normas locales y nacionales.

Uso del Rotador de antena programable

Para ir una posición programada de la antena: Oprima el botón de letra para dicha posición en el control remoto o en el panel frontal de la unidad de control.

La unidad de mando gira la antena a dicha posición, y la unidad de control muestra la posición de la antena en grados.

Para detener el rotador mientras se dirige a una posición programada: Apague la unidad de control y luego vuelva a encenderla. Oprima el botón **INITIAL** para volver a sincronizar la unidad.

Para llevar a cabo la sintonía fina de la posición de la antena (o posicionarla manualmente): Oprima los botones > o < en el control remoto o en el panel frontal de la unidad de control para mover la antena hacia la derecha (>) o hacia la izquierda (<).

Recalibración del rotador

El rotador de antena viene de la fábrica ya calibrado y listo para configurarlo. Sin embargo, si observa que el valor indicado en la unidad de control y la posición de la unidad de mando no coinciden (por ejemplo, si el valor indicado es 30 pero la antena ha girado 360 grados completamente), usted puede volver a calibrar el rotador para que el valor indicado en la unidad de control corresponda con la posición de la unidad de mando.

1. Oprima el botón **INITIAL** para hacer que la unidad de mando regrese a su posición inicial — la línea en la sección del rotador de la unidad de mando deberá estar alineada con la línea en la base una vez que esto finaliza.
2. Oprima el botón **INITIAL** una segunda vez para reinicializar completamente las unidades de control y mando.
3. Oprima y no suelte los botones **INITIAL** y > en el panel frontal de la unidad de control—asegúrese de oprimir primero el botón **INITIAL** un poquito antes que el botón >. Mantenga oprimidos estos botones cuando el indicador comienza a contar hacia arriba en segundos.

Si el indicador comienza a contar hacia abajo desde 36, la unidad de control está en el modo de inicialización, no en el modo de calibración. Deje que el rotador termine la inicialización, luego intente nuevamente el paso 2; esta vez oprimiendo más rápidamente el botón > después de oprimir el botón **INITIAL**.

4. Observe la antena y la unidad de mando — cuando completa un giro completo de 360 grados, suelte los botones **INITIAL** y > en la unidad de control. Esto deberá demorar alrededor de 57 segundos.

El indicador **DEGREE X10** mostrará el tiempo de ciclo del rotador. La unidad de control utiliza esta información para mantener sincronizadas las posiciones de la antena y las ubicaciones de programación.

Restablecimiento de los botones de memoria

La función de restablecimiento de los botones de memoria de la unidad de control borra todas las posiciones programadas de la antena.

1. Apague la unidad de control.
2. Oprima y no suelte el botón **D** en el panel frontal de la unidad de control.
3. Mientras mantiene oprimido el botón **D**, vuelva a encender la unidad de control. Los indicadores de **CCW** (giro hacia la izquierda) y **CW** (giro hacia la derecha) se encienden.
4. Suelte el botón **D** y vuelva a apagar la unidad.
5. Vuelva a encender la unidad una segunda vez. La unidad ejecutará el proceso de inicialización.

El indicador **MEMORY** en el panel frontal mostrará **0**, y el indicador **DEGREE X10** mostrará **00**. La unidad está restableciendo la memoria.

Garantía Limitada de 12 Meses

Voxx Accessories Corporation (la "Compañía") le garantiza a usted, el comprador original de este producto que si, bajo condiciones y uso normales, se encontrara que este producto o alguna pieza del mismo presenta defectos materiales o de mano de obra dentro de los primeros 12 meses a partir de la fecha de compra original, tales defectos serán reparados o reemplazados con un producto nuevo o renovado (a opción de la Compañía) sin cargo alguno por las piezas y labores de reparación.

Para obtener los servicios de reparación o reemplazo dentro de los términos de esta garantía, el producto se entregará con prueba de cubierta de garantía (por ejemplo, factura fechada de venta), especificación de los defectos, transporte prepago, a una estación de garantía aprobada. Para ubicar la estación de garantía más cercana a su domicilio, llame libre de cargo a nuestra oficina de control: al 1-800-645-4994.

Esta Garantía no es transferible y no cubre un producto adquirido, mantenido o utilizado fuera de los Estados Unidos o Canadá. Esta Garantía no incluye la eliminación de estática o ruido generados externamente. Esta Garantía no incluye los costos incurridos en la instalación, remoción o reinstalación de este producto, o, si es en la opinión de la Compañía, que este producto ha sufrido daños debido a causas de fuerza mayor, alteraciones, instalación inadecuada, abuso, uso indebido, negligencia o accidente. Esta Garantía no incluye daños ocasionados por un adaptador de CA que no haya sido suministrado con el producto.

EL ALCANCE DE LA RESPONSABILIDAD DE LA COMPAÑÍA BAJO ESTA GARANTÍA ESTÁ LIMITADO A LA REPARACIÓN O EL REEMPLAZO PROVISTO ARRIBA Y, EN NINGÚN CASO, DEBERÁ LA RESPONSABILIDAD DE LA COMPAÑÍA EXCEDER EL PRECIO DE COMPRA PAGADO POR EL COMPRADOR DE ESTE PRODUCTO.

Esta Garantía reemplaza cualesquiera otras responsabilidades o garantías expresas. CUALESQUIERA GARANTÍAS IMPLÍCITAS, INCLUYENDO CUALQUIER GARANTÍA IMPLÍCITA DE COMERCIABILIDAD O ADAPTABILIDAD PARA UN PROPÓSITO EN PARTICULAR ESTARÁN LIMITADAS A LA DURACIÓN DE ESTA GARANTÍA. CUALQUIER ACCIÓN PARA EL INCUMPLIMIENTO DE CUALQUIER GARANTÍA EN EL PRESENTE, INCLUYENDO CUALQUIER GARANTÍA IMPLÍCITA, DEBERÁ PRESENTARSE DENTRO DE UN PERÍODO DE 24 MESES A PARTIR DE LA FECHA DE COMPRA ORIGINAL. EN NINGÚN CASO LA COMPAÑÍA SERÁ RESPONSABLE POR DAÑOS EMERGENTES O INCIDENTALES.

Ninguna persona ni representante está autorizado a asumir, a nombre de la Compañía, ninguna responsabilidad salvo la expresada aquí en conexión con la venta de este producto.

Algunos estados/provincias no permiten limitaciones sobre la duración de una garantía implícita o la exclusión o la limitación de daños incidentales o emergentes, de modo que es posible que las limitaciones o exclusiones anteriores no apliquen en su caso. Esta Garantía le confiere derechos legales específicos y es posible además que usted tenga otros derechos que pueden variar según el estado/provincia.

Déballage

Vérifier que les éléments suivants sont dans la boîte :

(1) Dispositif d'entraînement

(1) Dispositif de commande

(1) Télécommande

Trousse d'installation :

(2) Boulons en U

(5) Boulons de montage du rotor

(3) Supports courts

(1) Support long (avec trous de hauban de mât)

(10) Écrous

(8) Rondelles

Remarque : Les boulons demandent une clé de 10 mm ou une clé à molette (non incluse).

Installation du dispositif d'entraînement extérieur

Étape 1 : Fixer le câble au dispositif d'entraînement

1. Acheminer le câble (non inclus) jusqu'au dispositif d'entraînement.

IMPORTANT: Il est possible d'utiliser un câble à 3 conducteurs de 0,5 mm² (calibre 20 AWG) jusqu'à 46 m (150 pi). Pour une distance supérieure, il y a lieu d'utiliser un câble de calibre supérieur.

2. Dévisser la vis unique sur la porte inférieure. Ouvrir la porte.

3. Passer le câble au travers des passe-fils sur le côté du dispositif d'entraînement.

suite à la page suivante...

Informations importantes

INFORMATIONS IMPORTANTES CONCERNANT LA SÉCURITÉ VEUILLEZ LIRE ET CONSERVER CES INSTRUCTIONS À TITRE DE RÉFÉRENCE FUTURE

 L'ÉCLAIR FLÉCHÉ DANS UN TRIANGLE EST DESTINÉ À ALERTE L'UTILISATEUR DE « TENSION DANGEREUSE » À L'INTÉRIEUR DU PRODUIT.	 ATTENTION RISQUE DE CHOC ÉLECTRIQUE NE PAS OUVRIR ATTENTION : AFIN DE RÉDUIRE LE RISQUE DE CHOC ÉLECTRIQUE, NE PAS ENLEVER LE COUVERCLE (NI L'ARRIÈRE), AUCUNE PIÈCE RÉPARABLE PAR L'UTILISATEUR NE SE TROUVE À L'INTÉRIEUR. POUR TOUTE RÉPARATION, CONSULTER UN TECHNICIEN QUALIFIÉ.	 LE POINT D'EXCLAMATION À L'INTÉRIEUR DU TRIANGLE EST UN SYMBOLE D'AVERTISSEMENT POUR VOUS AVERTIR QUE DES INSTRUCTIONS IMPORTANTES CONCERNENT LE PRODUIT.
---	---	---

AVERTISSEMENT :
**POUR ÉVITER LE
RISQUE D'INCENDIE OU
DE CHOC ÉLECTRIQUE,
N'EXPOSER CE PRODUIT
NI À LA PLUIE NI À
L'HUMIDITÉ.**

Pour l'ÉQUIPEMENT ENFICHABLE, la prise secteur doit être installée près de l'équipement et être facile d'accès.

Ne pas utiliser cet appareil à proximité d'eau.

L'appareil ne doit être exposé ni à un égouttement ni à des éclaboussures. Aucun objet rempli de liquide, par exemple un vase, ne doit être près de l'appareil.

Ne jamais poser de sources de flammes nues, telles que des bougies allumées, sur l'appareil.

Utiliser seulement les fixations/accessoires spécifiés par le fabricant.

Utiliser seulement avec le chariot, le socle, le trépied, le support ou la table spécifiés par le fabricant, ou le dispositif vendu avec l'appareil. Quand un chariot ou un bac est utilisé, faire preuve de prudence lors du déplacement de l'ensemble chariot/appareil afin d'éviter toute blessure provoquée par un basculement éventuel.

AVERTISSEMENT : Prière de se reporter aux informations décrites sur le bas du boîtier extérieur pour des informations électriques et de sécurité avant d'installer ou de faire fonctionner l'appareil.

Instructions de sécurité importantes

1. Lire les présentes instructions.
2. Conserver les présentes instructions.
3. Respecter tous les avertissements.
4. Suivre toutes les instructions.
5. Ne pas utiliser cet appareil à proximité de l'eau.
6. Nettoyer seulement avec un chiffon sec.
7. Ne bloquer aucune ouverture de ventilation. Installer conformément aux instructions du fabricant.
8. Ne pas installer près d'une source de chaleur, par exemple des radiateurs, des registres de chaleur, des poêles ou autres appareils (amplificateurs, par exemple) qui produisent de la chaleur.
9. Ne pas contourner le dispositif de sécurité de la fiche polarisée ou de la fiche de type mise à la terre. Une fiche polarisée est munie de deux lames, dont l'une est plus large que l'autre. Une fiche de mise à la terre est munie de deux lames et d'une troisième broche de mise à la terre. La lame large ou la troisième broche est fournie pour garantir la sécurité. Si la fiche fournie ne s'insère pas dans la prise, consulter un électricien pour remplacer la prise obsolète.
10. Protéger le cordon d'alimentation de manière à ne pas marcher dessus ni le pincer, surtout au niveau des fiches, des prises ou de la sortie du cordon de l'appareil.
11. Utiliser seulement les fixations/accessoires spécifiés par le fabricant.
12. Utiliser seulement avec le chariot, le socle, le trépied, le support ou la table spécifiés par le fabricant, ou vendus avec l'appareil. Quand un chariot est utilisé, faire preuve de prudence lors du déplacement de l'ensemble chariot/appareil afin d'éviter toute blessure provoquée par un basculement éventuel.
13. Débrancher cet appareil pendant les orages électriques ou s'il n'est pas utilisé pendant de longues périodes.
14. Confier l'entretien de l'appareil à un technicien agréé. Faire réparer l'appareil s'il a été endommagé de quelque manière que ce soit, par exemple si le cordon d'alimentation, ou la fiche, est endommagé(e), si du liquide a été renversé sur l'appareil ou si des objets sont tombés sur l'appareil, s'il a été exposé à la pluie ou à l'humidité, s'il ne fonctionne pas normalement ou s'il est tombé.



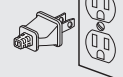
Ceci est un appareil de classe II conçu avec isolation double ou renforcée de sorte qu'il ne nécessite pas une connexion de sécurité électrique à la terre (aux É.-U.).

La fiche MAINS est utilisée comme dispositif de coupure de l'alimentation. Ce dispositif doit rester facile d'accès.

Branchement sur le secteur

ALIMENTATION PAR PRISE DE COURANT C.A. : 100-240 V ~ 50/60 Hz

La fiche d'alimentation en c.a. est polarisée (une lame est plus large que l'autre) et ne s'insère dans une prise de courant alternatif que d'une seule façon. Si la fiche ne s'insère pas complètement dans la prise, la retourner et l'insérer dans l'autre sens. Si elle ne s'insère toujours pas, veuillez vous adresser à un électricien qualifié pour changer la prise, ou utiliser une prise différente. Ne pas essayer de contourner cette mesure de sécurité.



Entretien et maintenance

- Toujours utiliser un chiffon doux pour nettoyer le haut-parleur et l'émetteur. Ne jamais utiliser un produit qui contient de l'alcool ou d'autres solvants, car ils risquent d'endommager la surface.
- Faire preuve de prudence lors du branchement des transformateurs dans une prise de courant alternatif, afin d'éviter les risques de choc électrique.
- Si les haut-parleurs sont utilisés à l'extérieur, sur une terrasse ou sur un patio, veiller à les rentrer à l'intérieur en cas d'orage pour éviter de les endommager.
- Ne pas faire fonctionner ni entreposer le système par température extrême.

ATTENTION : Veuillez placer l'appareil dans un environnement bien ventilé. Ne pas installer le matériel dans un espace confiné comme une bibliothèque ou un meuble similaire.

Déclaration de la FCC

Cet appareil est conforme à la partie 15 du règlement de la FCC. Le fonctionnement est sujet aux deux conditions suivantes :

(1) Cet appareil ne doit pas provoquer de brouillage préjudiciable, et (2) cet appareil doit accepter tout brouillage reçu, y compris le brouillage susceptible de provoquer un fonctionnement indésirable.

Remarque : Cet équipement a été soumis à des essais et a été déclaré conforme aux limites stipulées pour un appareil numérique de classe B, conformément aux spécifications de la partie 15 du règlement de la FCC. Ces limites ont pour but d'assurer une protection raisonnable contre le brouillage nuisible dans une installation résidentielle. Cet équipement produit, utilise et peut émettre de l'énergie en radio fréquence et, s'il n'est pas installé et utilisé conformément aux directives, il peut causer un brouillage nuisible dans les communications radio. Cependant, il est impossible de garantir qu'aucun brouillage ne se produira dans une installation particulière. Si cet équipement cause un brouillage de la réception de radio ou de télévision, ce qu'il est possible de déterminer en éteignant puis en rallumant l'équipement, l'utilisateur est prié d'essayer de corriger le brouillage au moyen de l'une ou de plusieurs des mesures suivantes :

- Réorienter ou déplacer l'antenne de réception.
- Augmenter la distance séparant l'équipement du récepteur.
- Brancher l'équipement sur une prise dont le circuit est différent de celui où est branché le récepteur.
- Consulter le revendeur ou un technicien expérimenté de radio/télévision.

Attention : Les changements ou les modifications effectués qui ne sont pas expressément approuvés par VOXX Accessories Corporation peuvent annuler l'autorisation accordée à l'utilisateur de se servir de l'équipement.

Information sur la réglementation d'Industrie Canada

CAN ICES-3 (B)/NMB-3 (B)

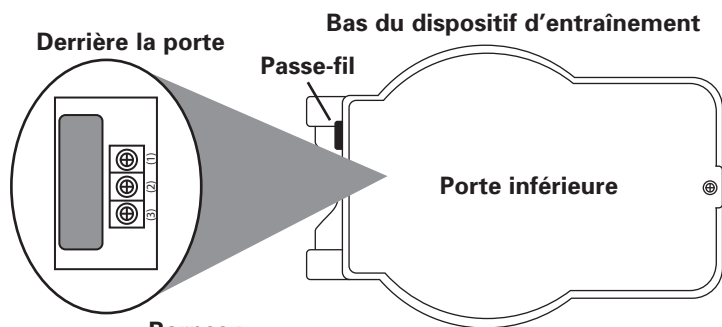
Information sur le produit

Conserver la facture comme preuve d'achat, ainsi que pour obtenir des pièces et toute réparation couverte par la garantie. Attacher la facture ici et inscrire le numéro de série et de modèle comme référence en cas de besoin. Ces numéros se trouvent sur le produit.

Numéro de modèle : _____

Date d'achat : _____

Adresse/téléphone du revendeur : _____



Bornes :

- Fil argenté (ou gros) (rouge) à la broche (1)
- Deuxième fil (noir) à la broche (2)
- Troisième fil (vert) à la broche (3)

4. Séparer les conducteurs sur 4 cm (1,5 po) et en dénuder l'isolation sur 13 mm (0,5 po).

IMPORTANT : Pour éviter que de l'humidité ne s'accumule dans le câble, s'assurer de faire passer la gaine de câble au travers du passe-fil.

5. Repérer le conducteur argenté – ou avec une grosse gaine et le connecter à la broche (1). Connecter le conducteur adjacent à la broche (2). Connecter le troisième conducteur à la broche (3). Si un câble à 4 conducteurs est utilisé, connecter les deux fils 3 et 4 à la borne (3).

IMPORTANT : Vérifier qu'il n'y a pas de brins lâche pouvant créer un court-circuit entre les bornes.

6. Vérifier de nouveau l'ordre du branchement. Fermer la porte et la revisser en place.

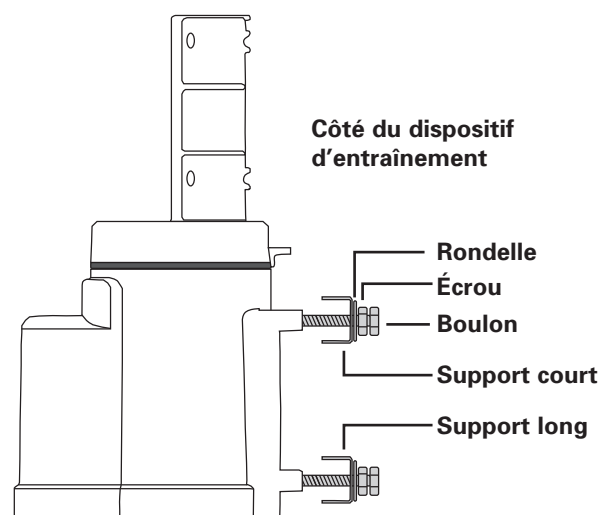
Étape 2 : Installation du dispositif d'entraînement

Si le dispositif n'est pas installé à l'intérieur d'une tour, il devra être installé sur un mât séparé (non inclus). Ce kit comprend le matériel nécessaire pour l'installation.

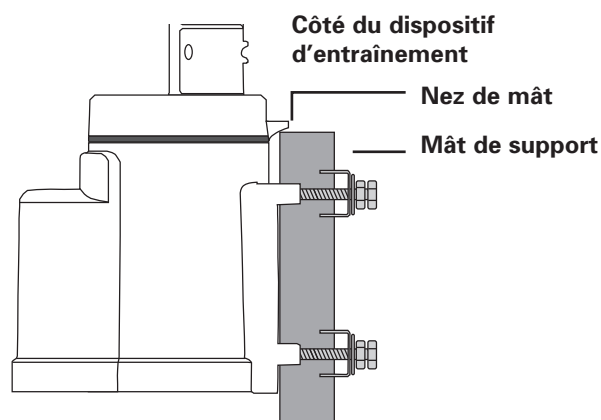
ATTENTION : Choisir un endroit où l'antenne ne peut pas entrer en contact avec les lignes électriques pendant qu'elle est installée, et où l'installation ne tombera pas dans les lignes électriques si un hauban venait à se rompre.

1. Visser quatre écrous sur quatre boulons de montage du rotor. Visser chaque écrou entièrement jusque sous la tête du boulon. Puis installer une rondelle sur chaque boulon, contre l'écrou.
2. Placer un support court sur deux des boulons, avec sa section plate plaquée contre les écrous sans rondelle. Placer le support long sur les deux autres boulons de la même manière.
3. Visser l'ensemble support court/boulons dans les deux trous supérieurs sur le côté de la base du dispositif d'entraînement. Visser l'ensemble support long/boulons dans les deux trous inférieurs. Visser chaque boulon aussi profondément que possible dans le dispositif d'entraînement.

4. Positionner les supports et les écrous/rondelles de manière à laisser juste assez de place pour passer le support de mât.



5. Abaisser le dispositif d'entraînement sur le mât de support jusqu'à ce qu'il s'arrête sur le nez de mât du boîtier d'entraînement. Serrer les écrous. Un serrage modéré avec une clé de 10 mm ou une clé à molette suffit aux dents pour agripper le mât.



IMPORTANT : Ne pas trop serrer au point de déformer le mât, car cela réduirait sa résistance. Le dispositif d'entraînement est conçu pour des diamètres de 32 mm (1,25 po) mais accepte des mâts de support jusqu'à 50,8 mm (2 po) de diamètre.

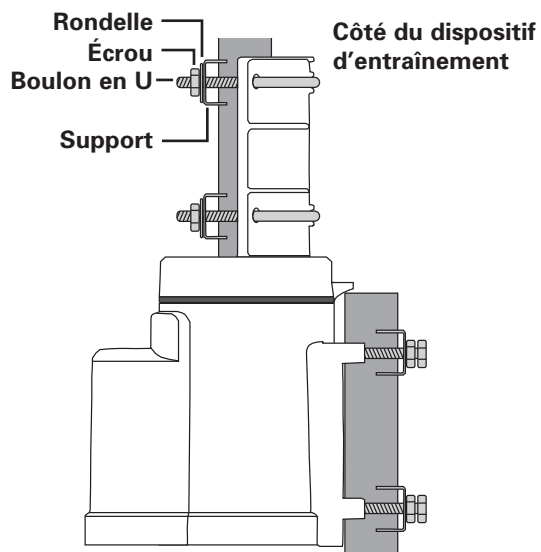
6. (Option) Fixer les haubans (non inclus) dans les trous du support inférieur.

Étape 3 : Installer l'antenne/câble

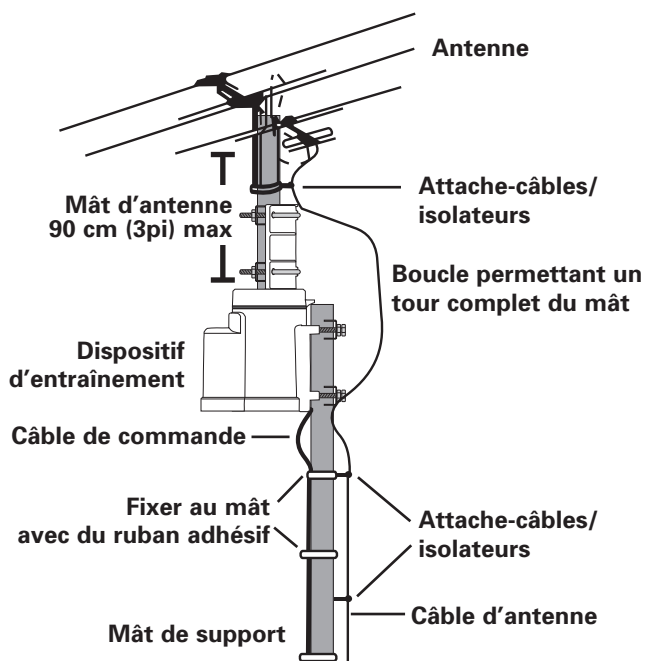
1. Insérer 2 boulons en U au travers du dos de la partie rotor du dispositif d'entraînement.
2. Placer les deux supports restant sur l'extrémité des boulons en U.
3. Placer les rondelles et les écrous sur l'extrémité des boulons en U pour maintenir les supports en place.
4. Positionner les supports et les écrous/rondelles de manière à laisser juste assez de place pour passer le mât d'antenne.

Remarque : Ne pas utiliser plus de 90 cm (3 pi) de mât d'antenne entre le rotor et l'antenne elle-même.

5. Abaisser le mât d'antenne entre les supports et le rotor. Serrer les écrous. Un serrage modéré avec une clé de 10 mm ou une clé à molette suffit aux dents pour agripper le mât.



6. Après avoir connecté le câble d'antenne à l'antenne, le fixer au mât d'antenne au moyen d'attache-câbles / d'isolateurs ou de ruban isolant (non inclus) comme indiqué. Créer une boucle de câble généreuse au niveau du dispositif d'entraînement.

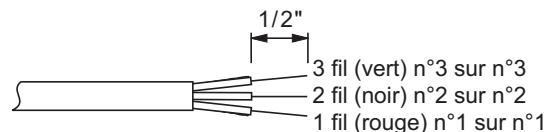


7. Fixer le câble d'antenne au mât de support avec des attache-câbles/isolateurs (non inclus) environ tous les quatre pieds (1,2 m).
8. Fixer au moyen de ruban adhésif le câble de commande de l'antenne directement au mât de support.

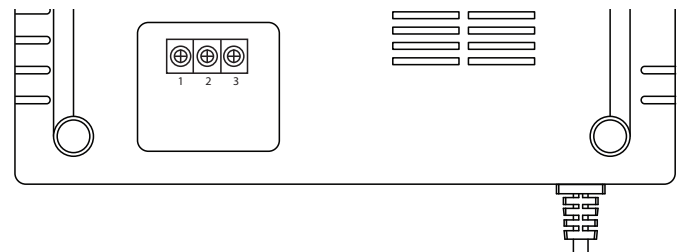
Installation et programmation du dispositif de commande intérieur

Étape 1 : Installation du dispositif de commande

1. Déterminer la longueur de câble nécessaire entre les dispositifs extérieur et intérieur. Couper le câble à cette longueur.
2. Dénuder environ 13 mm (1/2 po) de gaine à l'extrémité de chaque fil.



3. Insérer chaque fil dénudé dans la plaque de connexion sur le panneau arrière du dispositif de commande comme indiqué ci-après.



4. Libérer la gaine pour fixer sur le connecteur.

IMPORTANT : Le dispositif doit être câblé correctement. Un câblage incorrect peut provoquer des dommages.

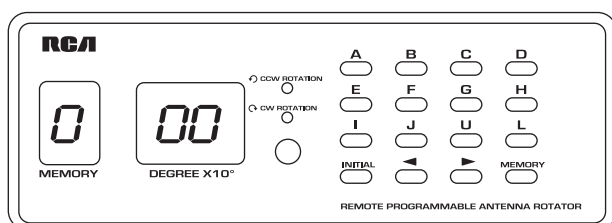
5. Brancher le câble d'alimentation du dispositif de commande sur une prise secteur.
6. Allumer le dispositif en basculant l'interrupteur à droite du dispositif de commande en position marche.

L'écran **MEMORY** (mémoire) sur le panneau avant affiche 0, et l'écran **DEGREE X10** (degrés x 10) affiche 00.

Étape 2 : Initialiser le dispositif de commande

1. Vérifier que le dispositif de commande est allumé (s'il ne l'est pas, basculer l'interrupteur sur le côté droit du dispositif de commande en position marche).
2. Appuyer sur la touche **INITIAL** sur le panneau avant du dispositif de commande. Le dispositif de commande et le rotateur s'initialisent pour préparer la configuration initiale. Les afficheurs **MEMORY** et **DEGREE X10** clignotent pendant ce processus qui prend environ une minute et demie.

Quand les afficheurs **MEMORY** et **DEGREE X10** s'arrêtent de clignoter, le dispositif de commande et le rotateur sont prêts à être configuré.



3. Vérifier que les dispositifs de commande et d'entraînement sont correctement calibrés en regardant la position du dispositif d'entraînement et de l'antenne à différentes valeurs de **DEGREE X10**. Utiliser les touches > et < sur le dispositif de commande pour passer aux valeurs suivantes de **DEGREE X10**, puis vérifier la position du dispositif d'entraînement / antenne.

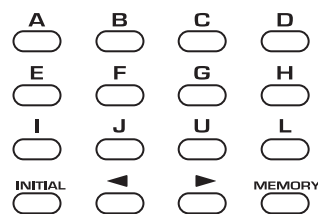
DEGREE X10 affiche...	Position du dispositif d'entraînement/antenne
00	Position de départ
09	90° dans le sens horaire depuis la position de départ
18	180° depuis la position de départ
27	270° dans le sens horaire depuis la position de départ
36	Position de départ

Si les valeurs de **DEGREE X10** et la position du dispositif d'entraînement/antenne ne correspondent pas, se reporter à la section **Recalibrage du rotateur** à la page suivante.

REMARQUE : Une forte tempête ou une panne de courant peut provoquer le changement de position du rotateur. Utiliser la touche **INITIAL** pour resynchroniser le système. Si cette procédure de réinitialisation n'apporte pas les résultats voulus, le moteur d'entraînement de l'antenne peut être désaligné sur le mât d'antenne. Il est possible de réorienter physiquement l'antenne ou de programmer le dispositif de commande pour tenir compte de la nouvelle orientation de l'antenne.

Étape 3 : Programmer le dispositif de commande

1. Accorder le téléviseur sur la station à recevoir.
2. Tout en observant l'écran du téléviseur, appuyer sur les touches < ou > sur le panneau avant du dispositif de commande pour faire tourner l'antenne dans le sens horaire (>) et antihoraire (<) jusqu'à trouver la position qui donne la meilleure réception de cette chaîne.
3. Quand la meilleure position de l'antenne a été déterminée pour cette chaîne, appuyer sur la touche **MEMORY** sur le panneau avant du dispositif de commande. Les afficheurs **MEMORY** et **DEGREE X10** clignotent.



4. Appuyer sur une des touches alphabétiques sur le panneau avant du dispositif de commande pour sauvegarder la position de l'antenne pour cette station sur cette touche. L'afficheur **DEGREE X10** indique la position de l'antenne en dizaine de degrés.
5. Utiliser le tableau d'enregistrement des emplacements livré avec ce produit pour l'enregistrement de la chaîne et de la position de l'antenne correspondant à chaque touche alphabétique. Noter cette information sur ce tableau.
6. Répéter les étapes 3 à 7 pour la station de télévision suivante. Choisir une touche alphabétique différente pour sauvegarder son emplacement.

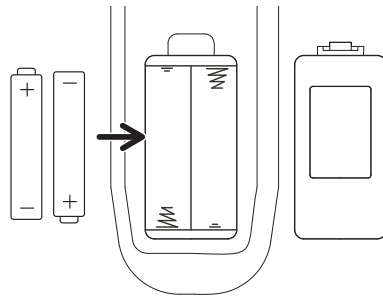
Il est possible de sauvegarder jusqu'à douze positions d'antenne, ce qui permet de trouver la meilleure réception pour chaque station de télévision.

Étape 4 : Installation des piles dans la télécommande

1. Appuyer et pousser sur le couvercle du compartiment des piles pour le retirer.

2. Insérer les piles, en s'assurant que leurs polarités (+) et (-) correspondent à celles indiquées dans le compartiment.

3. Remettre le couvercle du compartiment en place.



Précautions à propos des piles :

- Ne pas mélanger des piles neuves avec des piles anciennes.
- Ne pas mélanger des piles alcalines, standard (carbone-zinc) ou rechargeables (cadmium-nickel).
- Toujours enlever les piles anciennes, faibles ou usées et les recycler rapidement ou les jeter en conformité avec les réglementations locales et nationales.

Utilisation du rotateur d'antenne programmable

Pour se déplacer vers une position d'antenne programmée : Appuyer sur la touche alphabétique de cette position sur la télécommande ou sur le panneau avant du dispositif de commande.

Le dispositif d'entraînement fait tourner l'antenne jusqu'à cette position, et le dispositif de commande affiche la position de l'antenne en dizaine de degrés.

Pour arrêter le rotateur alors qu'il se rend à une position programmée : Éteindre le dispositif de commande, puis le rallumer. Appuyer sur la touche **INITIAL** pour resynchroniser le dispositif.

Pour affiner la position de l'antenne (ou la positionner manuellement) : Appuyer sur les touches > ou < sur la télécommande ou sur le panneau avant du dispositif de commande pour déplacer l'antenne dans le sens horaire (>) ou antihoraire (<).

Recalibrage du rotateur

Ce rotateur d'antenne est calibré en usine et livré prêt à être installé. Toutefois, si vous remarquez que l'écran du dispositif de commande et la position du dispositif d'entraînement ne correspondent pas (par exemple, si l'affichage indique 30, mais l'antenne a fait une rotation complète de 360 degrés), il est possible de recalibrer le rotateur pour les faire correspondre à nouveau.

1. Appuyer sur la touche **INITIAL** pour retourner le dispositif d'entraînement à sa position de départ — la ligne sur la section rotateur de l'unité d'entraînement doit être alignée avec la ligne de la base une fois cela terminé.

2. Appuyer sur la touche **INITIAL** une deuxième fois pour réinitialiser complètement les dispositifs de commande et d'entraînement.
3. Appuyer sur la touche **INITIAL** et la maintenir enfoncée et simultanément sur la touche > du panneau avant — s'assurer d'appuyer d'abord sur la touche **INITIAL** légèrement avant d'appuyer sur la touche >. Garder ces touches enfoncées alors que l'affichage commence à compter en secondes.

Si l'affichage commence à décompter en partant de 36, le dispositif de commande est en mode initialisation et non en mode calibration. Laisser le rotateur finir son initialisation, puis réessayer l'étape 2, en s'assurant cette fois de presser sur la touche > plus rapidement après l'appui sur la touche **INITIAL**.

4. Observer l'antenne et le dispositif d'entraînement — après un tour complet de 360 degrés, relâcher les touches **INITIAL** et > sur le dispositif de commande. Cela prend habituellement 57 secondes.

L'afficheur **DEGREE X10** indique le temps de cycle de rotation. Le dispositif de commande utilise cette information pour les positions de l'antenne et les positions programmées synchronisées.

Réinitialisation des touches mémoire

La réinitialisation des touches mémoire du dispositif de commande efface toutes les positions d'antenne programmées.

1. Éteindre le dispositif de commande.
2. Appuyer sur la touche **D** sur le panneau avant du dispositif de commande et la maintenir enfoncée.
3. Tout en maintenant la touche **D** enfoncée, allumer à nouveau le dispositif de commande. Les voyants **CCW** et **CW** s'allument.
4. Relâcher la touche **D** et éteindre le dispositif.
5. Allumer le dispositif une deuxième fois. Le dispositif entame une procédure de réinitialisation.

L'afficheur **MEMORY** sur le panneau avant indique 0, et l'afficheur **DEGREE X10** indique 00. Le dispositif réinitialise sa mémoire.

Garantie limitée de 12 mois

Voxx Accessories Corporation (l'«Entreprise») garantit à l'acheteur au détail d'origine de ce produit que si, dans les 12 mois suivant la date d'achat d'origine, ce produit ou l'une quelconque de ses pièces, sous réserve d'utilisation et de conditions normales, présente un ou des défauts de matériau ou de fabrication, ce ou ces défauts feront l'objet d'une réparation ou d'un remplacement avec un produit reconditionné (à la discrétion de l'Entreprise) sans frais pour les pièces et pour la main-d'œuvre.

Pour obtenir une réparation ou un remplacement en vertu des termes de la garantie, le produit doit être livré avec preuve de couverture de garantie (c'est-à-dire une preuve d'achat datée), une description du ou des défauts, et les frais de transport payés d'avance, à un centre de réparation agréé. Pour connaître l'emplacement du centre de réparation le plus proche de chez vous, veuillez appeler sans frais notre bureau de contrôle au : 1-800-645-4994.

La présente garantie ne peut pas être transférée et ne couvre pas les produits achetés, réparés ou utilisés à l'extérieur des États-Unis ou du Canada. La garantie ne couvre pas l'élimination de charge statique ou de bruits générés extérieurement. La présente garantie ne s'applique pas aux coûts engagés pour l'installation, le retrait ou la réinstallation du produit, ni dans le cas où, selon l'avis de l'entreprise, le produit a été endommagé par l'effet de calamités naturelles, d'une modification, d'une installation incorrecte, d'une mauvaise manipulation, d'un mauvais usage, d'une négligence, ou d'un accident. La garantie ne couvre pas les dommages occasionnés par un adaptateur c.a. non fourni avec le produit.

L'ÉTENDUE DE LA RESPONSABILITÉ DE L'ENTREPRISE EN VERTU DE LA PRÉSENTE GARANTIE EST LIMITÉE À LA RÉPARATION OU AU REMPLACEMENT INDIQUÉS CI-DESSUS ET, EN AUCUN CAS, LA RESPONSABILITÉ DE L'ENTREPRISE NE PEUT DÉPASSER LE PRIX D'ACHAT PAYÉ PAR L'ACHETEUR POUR LE PRODUIT.

La présente garantie remplace toute autre garantie ou responsabilité expresse. TOUTE GARANTIE IMPLICITE, INCLUANT TOUTE GARANTIE IMPLICITE DE QUALITÉ MARCHANDE OU D'ADAPTATION À UN USAGE PARTICULIER EST LIMITÉE À LA DURÉE DE LA PRÉSENTE GARANTIE. TOUTE ACTION POUR VIOLATION DE TOUTE GARANTIE MENTIONNÉE DANS LES PRÉSENTES, INCLUANT TOUTE GARANTIE IMPLICITE, DOIT ÊTRE PRÉSENTÉE DANS LES 24 MOIS SUIVANT LA DATE DE L'ACHAT D'ORIGINE. EN AUCUN CAS L'ENTREPRISE NE PEUT ÊTRE TENUE RESPONSABLE D'UN QUELCONQUE DOMMAGE CONSÉCUTIF OU INDIRECT. Aucune personne ni aucun représentant n'est autorisé à assumer pour l'Entreprise une quelconque responsabilité autre que celle exprimée dans les présentes en relation avec la vente de ce produit.

Certaines juridictions n'autorisent pas de limites quant à la durée d'une garantie implicite ou quant à l'exclusion ou à la limitation de dommages indirects ou consécutifs; les limitations et exclusions indiquées dans les présentes pourraient donc ne pas s'appliquer à votre cas. La présente garantie vous donne des droits légaux spécifiques et vous pourriez également bénéficier d'autres droits qui varient selon l'État, de province à État, selon la province.