

MEGAFLOW TROUGH VALVE

PRODUCT INFO



MEGAFLOW™

TROUGH VALVE



Description

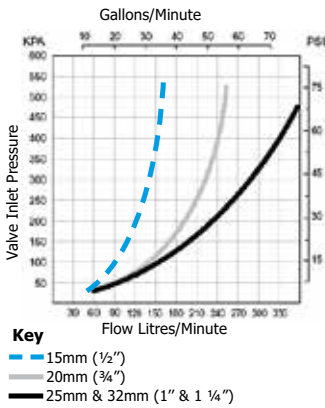
Megaflow trough valves are float operated valves for use in automatic filling of water troughs. The valve is configured for **underwater mounting only**. The float is connected to the valve with a nylon cord, this operates a pilot valve, when the water level drops, the pilot valve is opened and the main diaphragm valve is activated. Megaflow is a good choice where its **high flow**, compact, robust, non corrosive construction is beneficial.

Applications

Maintaining water levels in:

- Animal drinking troughs
- Water storage tanks

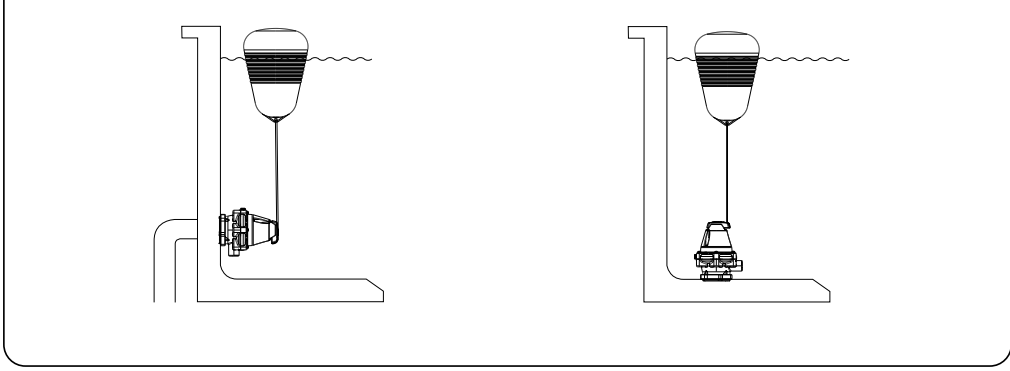
Flow Graph



Features

- High flow
- Compact robust construction
- 20-60mm (3/4" - 2 1/2") water level differential (increases as water pressure increases)
- Positive on/off operation
- Lock off with cord lock
- 0.3 - 10 bar (5 - 150 P.S.I.) pressure rating
- Inlet filter
- Constructed from corrosion resistant materials
- Under water installation helps avoid freezing
- Valve is less prone to stock damage

Mounting Positions



Options

| | BSP | | | | NPT | | | | Long Tail: Supplied with backnut and seal washer 1/2" Long Tail: 100mm long 3/4" Long Tail: 38mm long |
|------------|------|------|----|--------|------|------|----|--------|--|
| Inlet Size | 1/2" | 3/4" | 1" | 1 1/4" | 1/2" | 3/4" | 1" | 1 1/4" | |
| Short Tail | | ✓ | ✓ | ✓ | | ✓ | ✓ | ✓ | |
| Long Tail | ✓ | ✓ | ✓ | ✓ | ✓ | ✓ | ✓ | ✓ | |

Specifies this Thread size

Detach

MEGAFLOW TROUGH VALVE SPECIFICATION

| PRODUCT | CODE | INLET SIZE | CODE | | OPTIONS | CODE |
|-----------------------|------|------------|------|------|------------------|------|
| | | | BSP | NPT | | |
| Megaflow Trough Valve | MFV | 1/2" | 15 | 0050 | Detach Base | D |
| | | | 20 | 0075 | Long Tail Thread | LT |
| | | | 25 | 0100 | | |
| | | | 32 | 0125 | | |

(e.g) A Megaflow Trough Valve with: 3/4" bsp inlet thread, detach base, long tail thread has the following spec number: MFV 20 D LT

NOTE: If no options are specified the standard ones will be supplied

Note: Before using check that under water mounting is allowed by local regulations.
 Note: Product may differ slightly from these specs due to ongoing product development.

200 L / MIN

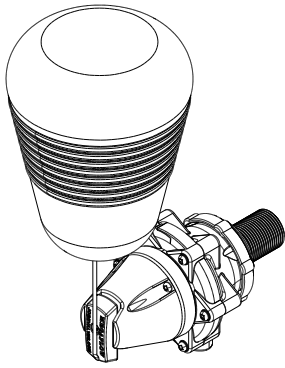
MEGAFLOW TROUGH VALVE

DIMENSIONS & MATERIALS

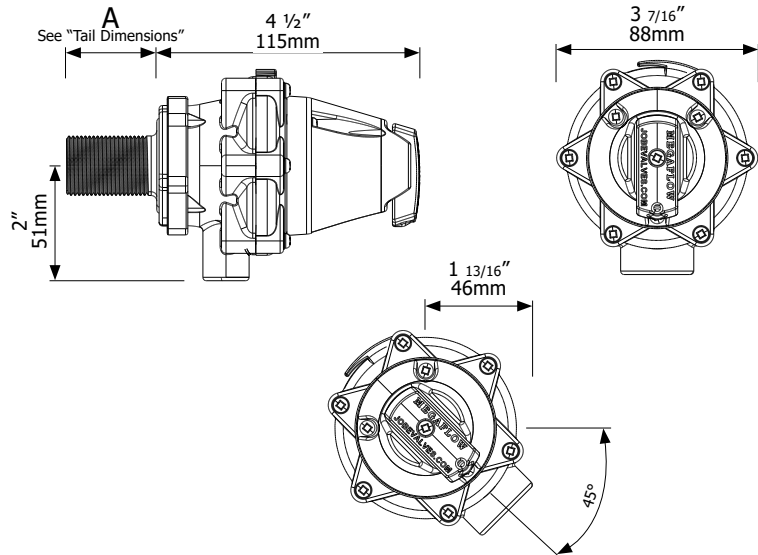


MEGAFLOW™

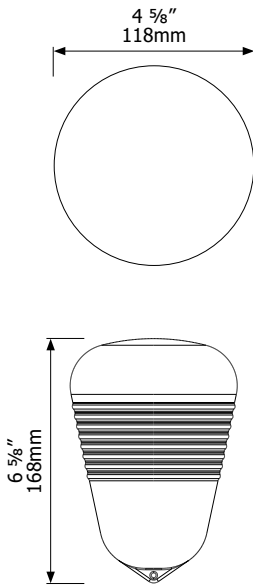
TROUGH VALVE



Megaflow Dimensions



Float Dimensions



Tail Dimensions

| Dimension A | mm | inches |
|----------------------------------|-----|--------|
| 20mm (3/4") Short Tail | 22 | 7/8 |
| 25mm (1") bsp/npt short tail | 22 | 7/8 |
| 32mm (1 1/4") bsp/npt short tail | 25 | 1 |
| 15mm (1/2") Long Tail | 100 | 4 |
| 20mm (3/4") long tail | 38 | 1 1/2 |
| 25mm (1")bsp/npt long tail | 54 | 2 1/8 |
| 32mm (1 1/4") bsp/npt long tail | 60 | 2 3/8 |

| Part | Material | Part | Material |
|--|---------------------|----------------------------|-----------|
| Body | Glass Filled Nylon | Actuator Cap | ABS |
| White Internal Parts | Acetal | Detach Locking Ring | Acetal |
| Filter | PP/Nylon | O'Rings | Nitrile |
| Diaphragm | EPDM | Float | HDPE |
| Seal | TPL | Seal Washer | LDPE |
| Springs, Bolts, Nuts, Pin, Screws | 304 Stainless Steel | Float Cord | Polyester |

Maximum Operating Temperature

60°C, 140°F

200 L / MIN

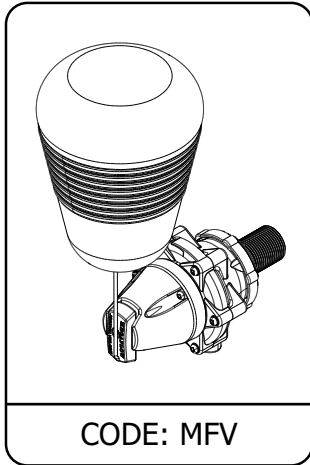
MEGAFLOW TROUGH VALVE

PARTS IDENTIFICATION SHEET

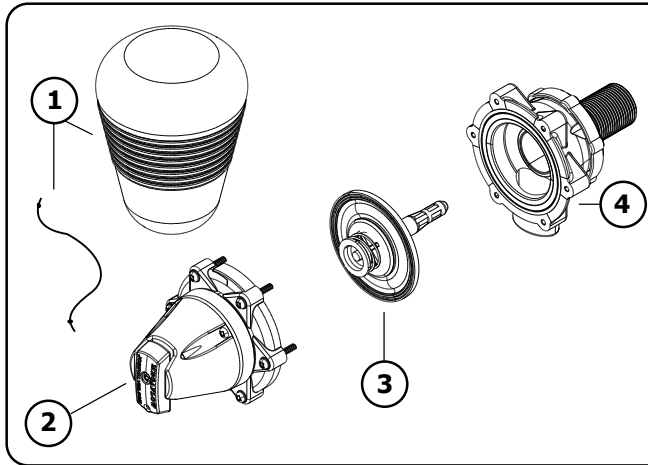


MEGAFLOW™

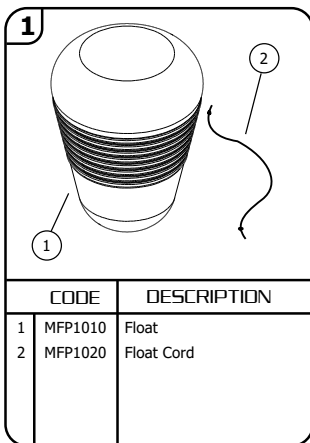
TROUGH VALVE



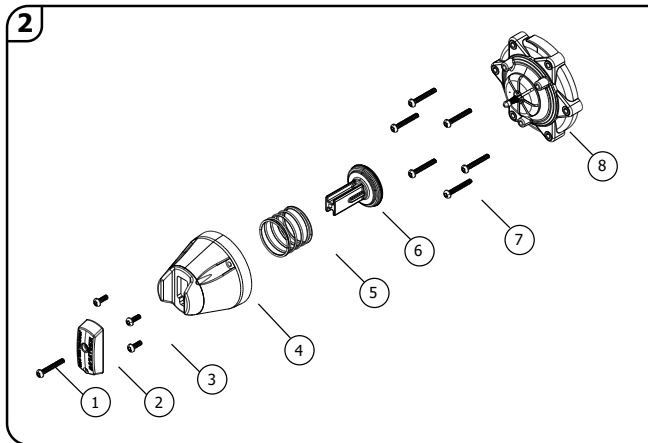
CODE: MFV



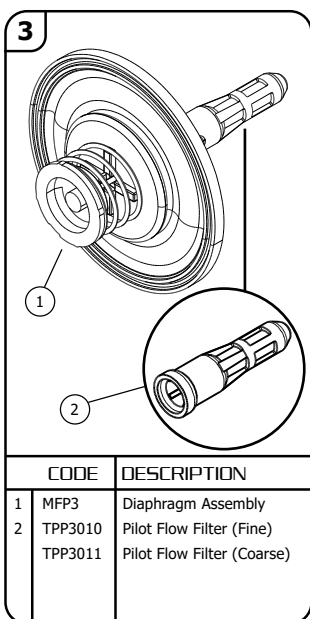
| CODE | DESCRIPTION |
|------|------------------------------|
| 1 | MFP1 Float Assembly |
| 2 | MFP2 Cap & Actuator Assembly |
| 3 | MFP3 Diaphragm Assembly |
| 4 | Detach Base Assembly |



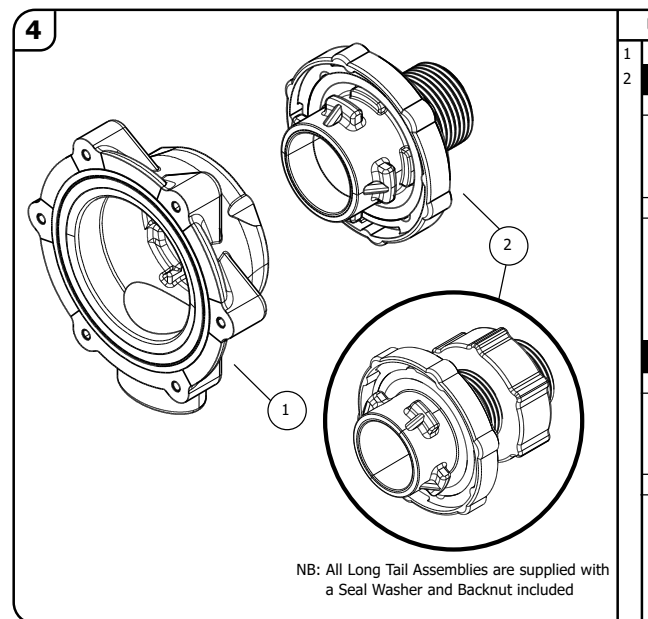
| CODE | DESCRIPTION |
|------|--------------------|
| 1 | MFP1010 Float |
| 2 | MFP1020 Float Cord |



| CODE | DESCRIPTION |
|------|--------------------------------|
| 1 | MFP2050 6g x 25 S/S Screw |
| 2 | MFP2041 Two Part Actuator Top |
| 3 | MFP2010 6g x 10 S/S Screw |
| 4 | MFP2020 Actuator Cap |
| 5 | MFP2030 Actuator Spring |
| 6 | MFP2042 Two Part Actuator Stem |
| 7 | MFP2050 6g x 25 S/S Screw |
| 8 | MFP2060 Valve Cap Assembly |



| CODE | DESCRIPTION |
|------|------------------------------------|
| 1 | MFP3 Diaphragm Assembly |
| 2 | TPP3010 Pilot Flow Filter (Fine) |
| 3 | TPP3011 Pilot Flow Filter (Coarse) |



NB: All Long Tail Assemblies are supplied with a Seal Washer and Backnut included

| CODE | DESCRIPTION |
|----------|------------------------------------|
| 1 | DTP1 Detach Base |
| 2 | BSP Tails |
| | Short Tail Assembly (BSP) |
| DTP020 | Detach Tail 20mm(3/4") Short |
| DTP025 | Detach Tail 25mm(1") Short |
| DTP032 | Detach Tail 32mm(1 1/4") Short |
| | Long Tail Assembly (BSP) |
| DTP015L | Detach Tail 15mm (1/2") Long |
| DTP020L | Detach Tail 20mm (3/4") Long |
| DTP025L | Detach Tail 25mm (1" bsp) Long |
| DTP032L | Detach Tail 32mm (1 1/4" bsp) Long |
| | NPT Tails |
| | Short Tail Assembly (NPT) |
| DTP0075 | Detach Tail 3/4" npt |
| DTP0100 | Detach Tail 1" npt |
| DTP0125 | Detach Tail 1 1/4" npt |
| | Long Tail Assembly (NPT) |
| DTP0050L | Detach Tail 1/2" npt Long |
| DTP0075L | Detach Tail 3/4" npt Long |
| DTP0100L | Detach Tail 1" npt Long |
| DTP0125L | Detach Tail 1 1/4" npt Long |

200 L / MIN