



Model | Modelo | Modèle
SBK0601/SBK0801/SBK1001
 Serial No.: 0711

OWNER'S MANUAL | MANUAL DEL USUARIO | MANUEL DE L'UTILISATEUR

60/80/100 QT. SEAFOOD BOILING KIT

EQUIPO DE HERVIDO DE MARISCO DE 60/80/100 QT.

60/80/100 QT. KIT D'ÉBULLITION DES FRUITS DE MER



FOR YOUR SAFETY! | ¡PARA SU SEGURIDAD! | POUR VOTRE SÉCURITÉ!

Use outdoors only!
 Read the instructions before
 assembling and using the appliance.

¡Solo usa al aire libre!
 Lea las instrucciones antes
 de montar y utilizar el aparato.

Utilisez uniquement à l'extérieur!
 Lisez les instructions avant
 d'assembler et d'utiliser l'appareil.

CONTACT US FIRST! | ¡PÓNGASE EN CONTACTO CON NOSOTROS PRIMERO! | CONTACTEZ-NOUS D'ABORD!

If you have any questions that are
 not addressed, please contact us first.

Si tiene alguna pregunta que no se
 aborde en este Manual del Usuario,
 póngase en ontacto con nosotros primero.

Si vous avez des questions qui ne
 sont pas traitées dans ce manuel de
 l'utilisateur, contactez-nous d'abord.

Customer Service / Servicio al Aliente / Service de Clientèle: 1-800-618-6798

Learn more at / Obtener más información en / Pour en savoir plus:

www.creolefeast.com



CONTENTS

For Your Safety	2-3
General Information and Instructions	4-5
Operating Instructions	6-8
Cleaning and Maintenance	9
Troubleshooting Guide	10
Warranty and Customer Service	11
Parts Diagram	34
Parts List	35
Hardware List	36
Assembly	37-40

DANGER

If you smell gas:

1. Shut off gas supply to the appliance.
2. Extinguish any open flame.
3. If odor remains, keep away from the appliance and immediately call your fire department.

NOTE: Read all instructions prior to assembly and use. Failure to follow the instructions in this manual could result in bodily injury and/or property damage.

WARNING

1. The installation must conform with local codes or, in the absence of local codes, with either the *National Fuel Gas Code*, ANSI Z223.1/NFPA 54.
2. Do not store or use gasoline or other flammable liquids or vapors in the vicinity of this or any other appliance.
3. An LP cylinder not connected for use shall not be stored in the vicinity of this or any other appliance.

WARNING

**NEVER FRY TURKEYS WITH THIS APPLIANCE.
THE APPLIANCE IS ONLY INTENDED FOR HEATING WATER
(NOT OIL OR GREASE).
THIS APPLIANCE IS FOR OUTDOOR USE ONLY.**

In case of any issue, call us first! **DO NOT** return the appliance to the retailer. This appliance has been made to high quality standards. If you have any questions not addressed in this user's manual, or you need parts, please call our customer service hotline.

⚠ CAUTION ⚠

1. Please keep this Owner's Manual for future reference.
2. This appliance is NOT intended for commercial use.
3. This appliance is NOT intended as and should never be used as a heater.
4. The gas appliance is meant for use with propane gas only (propane gas cylinder not included).
5. **DO NOT** use gasoline, kerosene, or alcohol for lighting. This appliance is not intended to be used in or on recreational vehicles or boats.
6. Children should never use your appliance. Keep children and pets away when in use.
7. **DO NOT** attempt to move the appliance while it is lit or hot. **DO NOT** alter the appliance in any manner.
8. **DO NOT** use the appliance unless it is completely assembled, and all parts are securely fastened and tightened.
9. **DO NOT** use the appliance or any gas products near unprotected combustible buildings and materials.
10. **DO NOT** use in the presence of gases or vapors. Keep the cooking area clear and free from combustible materials, gasoline, and other flammable vapors and liquids.
11. **DO NOT** fill the cooking pot below minimum fill line or over maximum fill line.
12. **DO NOT** obstruct the air flow for combustion and ventilation.
13. Clean and inspect the hose before each use. If there is evidence of abrasion, wear, cuts, or leaks, the hose must be replaced before operating the appliance. The replacement hose assembly must be as per the manufacturer specifications specified by the manufacturer.
14. Keep the appliance's valve compartment, burners, and circulating air passages clean. Inspect the appliance before each use.
15. Keep the ventilation openings of the cylinder enclosure free and clear from debris.
16. The appliance shall not be used on or under any apartment or condominium balcony or deck.
17. Heat shield must always be in place during use.
18. This appliance will be **HOT** during and after use. Heated liquid remains at scalding hot temperature long after the cooking process. **NEVER** touch the cooking appliance until the liquid has cooled to 115 °F (46 °C) or less. Use insulated oven mitts or gloves for protection from hot surfaces or splatter from cooking liquids.
19. Always have an approved extinguisher on hand when using this product. A Class "B" dry chemical or "CO₂" extinguisher or preferably a Class "K" extinguisher. Special care must be taken to understand the manufacturer's instructions and be prepared to operate the appropriate extinguisher prior to using this appliance.
20. If a fire should occur, keep away from the appliance and immediately call your fire department.

**CALIFORNIA PROPOSITION 65 WARNINGS**

1. Fuels used in gas burning appliances and the combustion byproducts of such fuels, can expose you to chemicals including carbon monoxide, which is known to the State of California to cause birth defects or other reproductive harm.
2. This product contains Nickel (Metallic) known to the State of California to cause cancer.
3. This product contains Lead and Lead Compounds known to the State of California to cause cancer and birth defects or other reproductive harm.

For more information, go to: www.P65Warnings.ca.gov

⚠ WARNING ⚠

1. This appliance is for **Outdoor Use Only** and should not be used inside a building, garage, or any other enclosed space.
2. The consumption of alcohol, prescription, or non-prescription drugs may impair the operators' ability to properly assemble or safely operate the appliance.
3. Always place your appliance on a hard and level surface far away from combustibles.
4. Do not leave a lit appliance unattended. ALWAYS keep children and pets away from the appliance.
5. Do not place the appliance on any type of tabletop surface.
6. Do not use the appliance in high winds.

⚠ DANGER: LP CYLINDER RISK ⚠

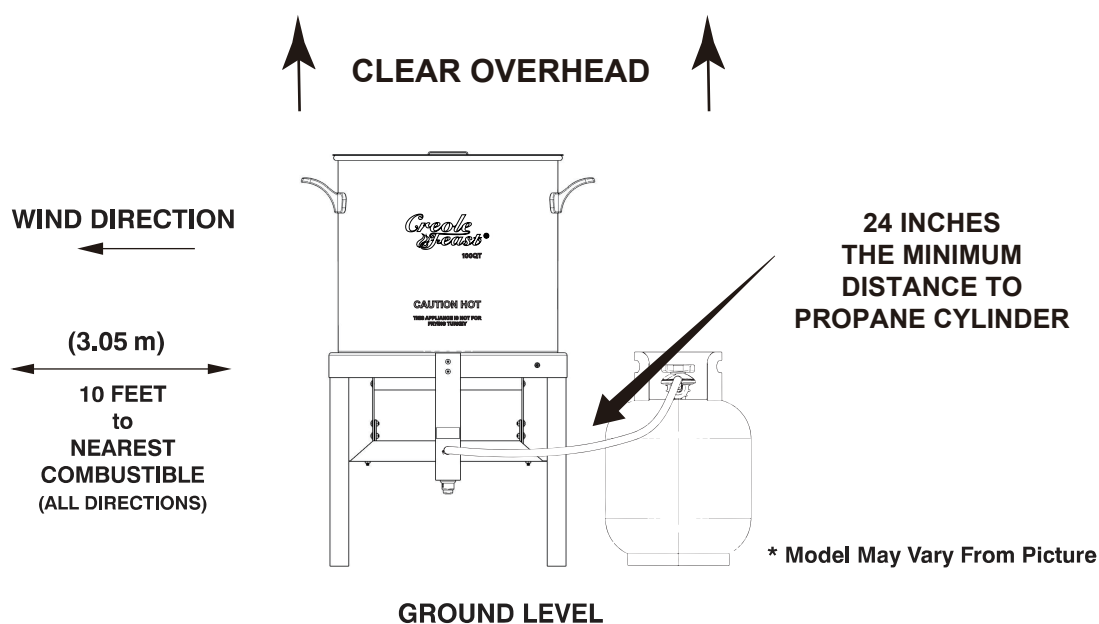
Liquid propane gas is flammable and hazardous if handled improperly. Understand the characteristics before using any propane product.

1. Propane characteristics: Flammable, explosive under pressure, heavier than air, settles in pools and low areas.
2. In its natural state, propane has no odor. For your safety, an odorant has been added.
3. Contact with propane can cause freeze burns to the skin.
4. This appliance is shipped from the factory for use with propane gas only.
5. Never use a propane cylinder with a damaged body, valve, collar, or footing.
6. Dented or rusted propane cylinders may be hazardous and should be checked by your propane gas supplier.

⚠ FOR YOUR SAFETY ⚠

1. Maintain at least 10 feet (3.05 m) clearance to combustible objects that can catch fire.
2. Keep at least 24-inch (61 cm) distance between the appliance and cylinder.
3. Do not place or use the appliance where there are combustible surfaces overhead.

WARNING: LP hose may pose a tripping hazard.



INSTRUCTIONS FOR USE

Follow the instructions carefully to avoid seriously damaging your appliance and causing injury to yourself and to property.

1. Assemble the appliance as per the assembly instructions carefully.
2. Connect the LP cylinder to the appliance (LP cylinder not included).
3. Turn off the regulator valve before turning on the gas supply to the appliance.
4. Operate the regulator in accordance with the instructions supplied with the regulator.
5. Place the proper pot on the stand and fill it with water according to fill lines.

Model	Pot Capacity	Pot Diameter	Min. Line	Max. Line
SBK0601	60 qt.	18.50 in.	2 gal.	8 gal.
SBK0801	80 qt.	19.69 in.	2 gal.	10 gal.
SBK1001	100 qt.	21.06 in.	2 gal.	12 gal.

NOTE: Never use a cooking pot larger than the capacity and diameter recommended above.

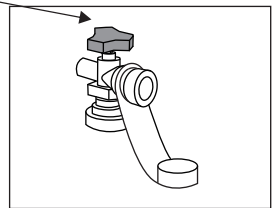
LP GAS AND CYLINDER INFORMATION

Your new gas appliance operates on LP (Liquified Petroleum) Gas. It is odorless, colorless, and non-toxic when produced. You can smell LP gas as it has been given an odor similar to rotten eggs for your safety.

The LP cylinder used with your appliance must have two features:

Triangular Hand Wheel

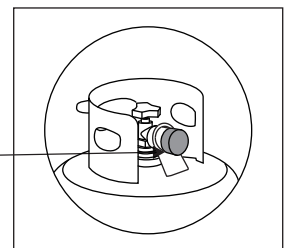
1. An OPD (Overfill Protection Device) that prevents accidental gas leaks caused by overfilling of the cylinder. Each cylinder contains a float that closes the input valve when the cylinder is 80% full. This allows room or the propane gas to expand in hot temperatures. A triangular hand wheel distinguishes this type of cylinder.
2. An QCC1 Type1 Quick Connect Valve that provides fast cylinder hook-ups and requires only to be tightened by hand.



TRANSPORTATION AND STORAGE

1. The LP cylinder must include a collar to protect the gas supply valve.
2. Do not store a spare LP cylinder under or near the appliance.
3. Never fill the LP cylinder beyond 80% capacity.
4. If the warnings 2 and 3 above are not heeded exactly, a fire causing death or serious injury may occur.
5. Always transport in an upright position.
6. Do not smoke when transporting your LP cylinder.
7. Place a dust cap on the cylinder gas valve outlet whenever the cylinder is not in use. Use only the type of dust cap that is provided with the cylinder valve when purchased. Other types of cap or plugs may result in leakage of propane.

Dust Cap



CYLINDER SPECIFICATIONS

1. Cylinder purchased or exchanged for your gas appliance must be manufactured and marked in accordance with the specifications for LP Gas cylinder of the U.S. Department of Transportation (DOT) or the National Standard of Canada, CAN/CSA-B339, Cylinders, Spheres and Tubes for Transportation of Dangerous Goods and Commission, be equipped with a listed over-filling prevention device (OPD), and be equipped with a cylinder connection device compatible with connection for outdoor cooking appliances.
2. The LP gas cylinder used for this appliance must not have a capacity exceeding 20 lb. (9.1 kg). Approximately 18" (45.7 cm) high and 12" (30.5 cm) diameter.
3. This appliance is designed to fit Worthington, Manchester, or SMPC brand 20 lb. (9.1 kg) cylinders. Other brands may fit this appliance if the top collar and bottom support ring have similar dimensions.

THE CYLINDER MUST ALSO BE EQUIPPED WITH:

1. A shut-off valve terminating in a Type 1 gas cylinder valve outlet
2. A Type 1 valve that prevents gas flow until a positive seal is made
3. A collar to protect the cylinder shut-off valve
4. A safety relief device that is directly linked with the vapor space of the cylinder

WARNING

A frosty cylinder valve indicates possible gas overfill. Close the LP valve and call your LP dealer immediately.

1. DO NOT connect this appliance to an existing #510 POL cylinder valve with left-hand threads. The Type 1 valve can be identified by the large external threads on the valve outlet.
2. DO NOT connect to a propane cylinder exceeding this capacity.
3. DO NOT connect to a cylinder that uses any other type of valve connection device.

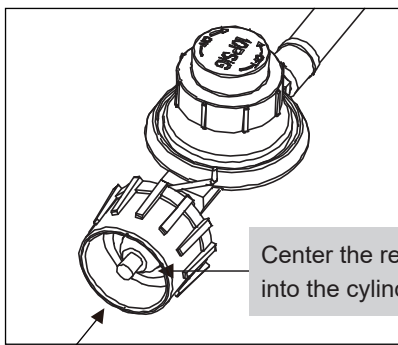
CONNECTING REGULATOR TO LP CYLINDER

⚠ CAUTION ⚠

Only use the gas pressure regulator provided with this outdoor cooking appliance. This regulator is set for an outlet pressure of 11 inches water column.

Your regulator is equipped with a QCC Type 1 quick connect system. It does not allow gas to flow until a positive seal has been made. It has a thermal element that will shut off the gas flow if the temperature reaches 115 °C (240 °F). It also has a flow-limiting device that restricts the flow of gas to 0.28 cubic metrics per hour (10 cubic feet per hour).

1. Make sure the LP cylinder is OFF by turning the hand wheel clockwise until it stops.
2. Keep at least 24-inch (61 cm) distance between the appliance and cylinder.
3. Be sure the regulator valve is turned to the OFF position.
4. Remove the safety cap from the cylinder valve.
5. Center the regulator nipple into the cylinder valve.
6. Turn the coupling nut clockwise until it stops. Hand tighten Only. Do not use a wrench.

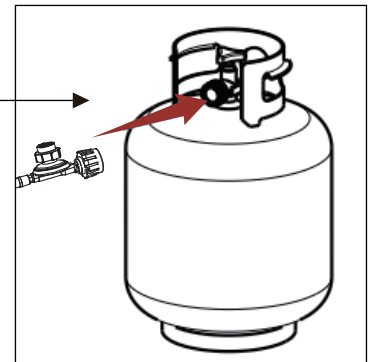


QCC 1 Type 1 Connector

The regulator must enter the cylinder valve in a straight line.

⚠ WARNING ⚠

Always keep the gas cylinder in the upright position at all times.



⚠ WARNING ⚠

1. Do not connect this appliance to any unregulated sources of propane.
2. Before each use, check the gas hose for excessive abrasion, wear, or cuts. Replace a damaged hose assembly with the one specified in the parts list before using the appliance.
3. Always perform the Leak Test listed below before using your appliance for the first time, if the cylinder has been changed, if any gas supply components have been changed, if the regulator flow-limiting device has been activated, or after a long period of non-use.
4. Do not attempt to connect this appliance to the LP system of a motor home or trailer.

LP CYLINDER LEAK TEST

1. Leak test must be repeated each time the LP cylinder is exchanged or refilled.
2. DO NOT smoke or have anything nearby that can easily ignite, such as lighters or matches.
3. DO NOT use an open flame to check for gas leaks.
4. The appliance must be leak checked outdoors in a well-ventilated area away from open flames or sparks.
5. REMOVE any pots or other cookware from the burner before beginning the test.

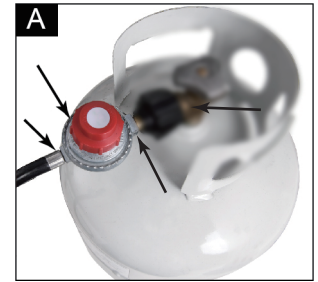
STEPS FOR LEAK TEST:

Use a clean paint brush and 50/50 soap and water solution.

NOTE: Use a mild soap and water. DO NOT use household cleaning agents, which could damage the gas component.

1. Turn regulator and cylinder valves OFF.
2. Be sure regulator is tightly connected to LP cylinder.
3. Completely open LP cylinder valve by turning hand wheel counterclockwise. If you hear a rushing sound, turn gas off immediately. There is a major leak at the connection. Correct before proceeding.
4. Brush the soapy solution onto all metal seams and the entire valve area as shown in figure A.
5. Slowly turn the LP cylinder valve counterclockwise to the open position.
6. A leak is identified by a flow of bubbles from the area of the leak. Close LP cylinder valve immediately and retighten connections.
7. If leaks cannot be stopped, do not try to repair, contact your appliance dealer for assistance. Do not attempt to operate appliance if a leak is present.
8. Always examine the hose for any damage. If damage is observed, do not attempt to patch the hose. Replacing the hose is the only safe option.
9. For assistance with any malfunction related to the LP cylinder, regulator or hose, contact customer service.
10. Always close LP cylinder valve after performing leak test by turning hand wheel clockwise.

UNDER NO CIRCUMSTANCE SHOULD THE VALVE REMAIN IN THE ON POSITION FOR MORE THAN 12 SECONDS.



⚠ WARNING ⚠

1. DO NOT USE THE APPLIANCE if there are leaks. Be sure the LP cylinder valve is closed. If the LP cylinder is still leaking, contact your LP dealer or call 911.
2. Do not use any matches, open flames, or smoke during leak testing.
3. Do not light any burner during leak testing.
4. Replacement parts, including a replacement hose assembly, must be as per the specifications in the parts list.

Failure to comply with these instructions may result in serious bodily injury.

LIGHTING INSTRUCTIONS

Each appliance burner is tested and calibrated at the factory prior to shipment; however, variations in the local gas supply may make it necessary to adjust the burner. Please visually check the flames of the burner. Always visually inspect your appliance before lighting. Replace any hose that is frayed or cracked. Look for anything that could block ventilation and remove such a blockage or move the appliance. After lighting, check the flame pattern to ensure you have even heat distribution for the burner. If burner don't light up, or if the flame pattern is uneven, see the Troubleshooting section.

⚠ WARNING: BEFORE LIGHTING ⚠

1. Read the instructions before lighting.
2. If the burner does not ignite in 5 seconds, turn the regulator valve off, wait 5 minutes and repeat the lighting procedure.
3. Inspect the gas supply hose prior to turning the gas "ON". If there is evidence of cuts, wear, or abrasion, it must be replaced prior to use. Do not use the appliance if the odor of gas is present. Only use the pressure regulator and hose assembly supplied with the unit.
4. Never use regulators and hose assemblies other than those supplied with the appliance. If a replacement is necessary, contact the manufacturer to get the proper replacement. The replacement must be as per the specifications in the Owner's Manual. **DO NOT LEAVE THE APPLIANCE UNATTENDED WHILE COOKING.**

LIGHTING THE BURNER USING ELECTRONIC IGNITION

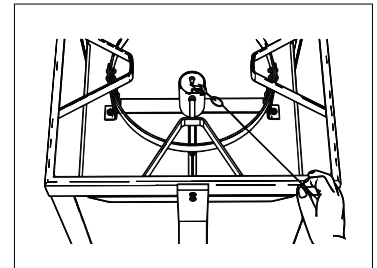
1. Ensure the regulator valve is completely closed.
 2. Open gas cylinder valve by turning counterclockwise.
 3. Open the regulator valve by turning clockwise.
 4. Push and hold ignitor button to light the burner.
 5. If the burner does not ignite, turn off the regulator and cylinder valve, wait for 5 minutes before attempting to relight the burner.
 6. If the burner ignites, turn the regulator valve to the desired heat setting.
- * Should the burner still fail to ignite, check the gas supply.

Ignitor button
on bottom



MANUALLY LIGHTING THE BURNER WITH MATCH STICK

1. Ensure the regulator valve is completely closed.
 2. Open gas cylinder valve by turning counterclockwise.
 3. Open the regulator valve by turning clockwise.
 4. Place a match in the match holder. Match holder is attached to burner stand.
 5. Use the holder to slide the lit match close to the burner. The burner should light immediately. **DO NOT** stand with your head or arms over the burner.
 6. If the burner does not ignite, turn off the regulator and cylinder valves, wait for 5 minutes before attempting to relight the burner.
 7. If the burner ignites, turn the regulator valve to the desired heat setting.
- * Should the burner still fail to ignite, check the gas supply.



TURNING OFF YOUR APPLIANCE

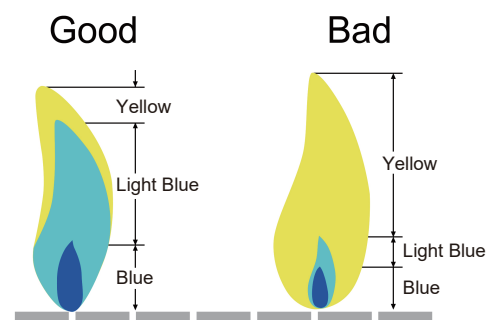
1. Turn off the gas supply at the LP cylinder by turning the valve clockwise to a full stop.
2. Turn off the regulator by turning the valve counterclockwise to a full stop.

⚠ WARNING ⚠

Do not use spirit or petrol for lighting or re-lighting!

BURNER FLAMES

Light the burner and adjust the flame with the regulator control valve until the desired flame is achieved. Always check the flame prior to each use. A blue flame with little or no yellow flame provides the best heat.



Your new appliance has been designed and manufactured to high quality standards. It will provide you with many years of fun cooking time, however, it requires a minimal amount of maintenance.

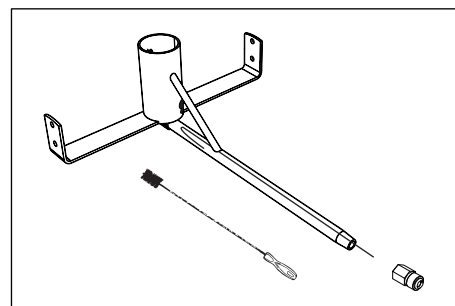
NOTE: Clean the entire appliance regularly and tighten all hardware on a regular basis (1-2 times a year or more depending on usage). Cleaning should be done using detergents that won't harm the patio, lawn, or the environment.

WARNING

1. Do not clean any part of your appliance in a self-cleaning oven.
2. Do not use oven cleaners, abrasive kitchen cleaners, cleaners that contain citrus products, or mineral spirits.
3. Always allow the appliance to cool down prior to cleaning.

STEPS FOR CLEANING THE BURNER

1. Remove the regulator hose from the burner.
2. Look inside the burner tube for insect nests, webs, or mud.
3. To remove the above obstructions, use a flexible venturi brush or bend a small hook on one end of a long flexible wire such as the one shown in the inset picture.
4. Inspect and clean the burner if needed.
5. Reattach the brass connector to the burner.



TIPS FOR POLISHING ALUMINUM POTS

1. It is recommended to season the pot before use. Pour a small amount of vegetable oil inside and spread it with a paper towel until the entire bottom and sides are coated. Let it stand for 10 minutes. Wash out the interior of the pot, it will be ready to use. **DO NOT** apply to flame during any of this process.
2. After cooking, let pots and lids cool down gradually. Do not pour cold water into a hot pot. This will cause the bottom of the pot to warp. Always wash the pots thoroughly in warm, soapy detergent after each use to remove all traces of food, salt, or grease particles that may burn and cause stains when the pan is reheated.
3. Seasoning the pots will make cleaning easier. Scouring pads and aluminum cleaners can be used to clean the interior of the pots but will scratch the exterior.
4. Polished aluminum pots will tarnish and discolor with normal use.
5. Boiling with large quantities of salt is very corrosive and can cause pits in the pot and basket. To reduce the chance of this occurring, do not allow salt water to remain in the pot for a long period of time after the pot has cooled. The basket and pot should be thoroughly cleaned after each use.

NOTE: **DO NOT** store cooking oil inside the pots.

WARNING

1. Proper placement of the burner and valve is vital to ensure safety.
2. Do not use any strong or grinding solvents or abrasive pads, as they can damage surfaces and leave behind scratch marks.

STORAGE

1. Clean your appliance before storage. Store in a cool dry place.
2. Storage of your appliance indoors is permissible only if the LP cylinder is disconnected and removed from the appliance.
3. A cover is highly recommended to protect your appliance. Choose from a variety of appliance covers offered by the manufacturers.
4. Perform a Leak Test before using the appliance after it has been kept in storage for some time.

Q: Why doesn't the burner light?

A: Different solutions for different causes.

1. Out of LP Gas.
Refill LP Gas Cylinder.
2. Ignitor issue.
Try manually lighting burner with a match. If burner lights successfully, it is an ignitor issue.
- 2.1 Ignitor battery is dead.
Replace battery.
- 2.2 Battery/ignitor cap not installed correctly.
Make sure 2 ends of the battery are oriented properly. The "+" end should be toward the ignitor cap. Rescrew the ignitor cap and make sure threads are aligned fully.

Q: The burner flame appears very weak.

A: If the hose assembly has a Type1 Connection (black/green knob), it is equipped with a flow limiting device.

This device is intended to limit the flow of gas should there be a leak between the regulator and the appliance.

To achieve a positive gas seal, which will allow for maximum gas flow, the regulator control must be turned to a completely OFF position before the cylinder valve is opened. A good tip to remember is "Cylinder is first ON, last OFF".

The Problem Can be Remedied in Two Ways:

- A. 1. Turn regulator valve OFF (counterclockwise). Close the cylinder valve completely by turning it clockwise until it stops.
2. Check that the Type1 Connection (black knob) is completely tightened to the cylinder valve.
3. Wait 5 seconds for the pressure to equalize and for the flow limiting device to reset.
4. Turn cylinder valve ON (counterclockwise).
5. Turn regulator valve ON (clockwise).
6. Relight boiler following all lighting instructions contained in this Owner's Manual. Check for proper flame.

OR

- B. 1. Turn regulator valve OFF (counterclockwise). Close the cylinder valve completely by turning clockwise until it stops.
2. Remove Type 1 Connection (black/green knob) from the cylinder valve. The flow limiting device will now reset.
3. Re-attach Type 1 Connection (black/green knob) to the cylinder valve. Tighten completely.
4. Turn the cylinder valve ON (counterclockwise).
5. Turn regulator valve ON (clockwise).
6. Relight burner following all lighting instructions contained in this Owner's Manual. Check for proper flame.

Q: How long will the gas in my cylinder last?

A: On average, a full cylinder will give you 4 to 5 hours of normal cooking.

Q: Flame has gone out.

A: Different solutions for different causes.

1. Low gas level in the LP cylinder, or the cylinder is empty.
Check the gas level in the LP cylinder.
2. Too much wind
Check wind direction and set the cooker away from windy areas.
3. Blocked burner
Clean and check burner for spiders, insect nests, and debris.
4. Water in burner
Check the burner for moisture, make sure the burner is dry.

**If your problem is not resolved using the troubleshooting information above,
please contact your local gas dealer.**

Thanks for purchasing this Creole Feast® Seafood Boiling Kit.

Creole Feast® warrants its products to be free from defects in materials and workmanship under proper assembly, normal residential use and recommended care for **1-Year Full Warranty** from the date of original retail purchase. The warranty does not cover paint finish as it may burn off during normal use. **RUST is not considered a manufacturing or materials defect.**

Within the stated warranty period, Creole Feast®, at its discretion, shall replace defective components free of charge, with the owner being responsible for shipping. Creole Feast® reserves the right to require that defective parts be returned, postage and/or freight pre-paid by the consumer for review and examination. In the event of parts availability issues, Creole Feast® reserves the right to substitute like or similar parts that are equally functional. Upon the expiration of such warranty, all such liability shall terminate.

Note: A dated sales receipt along with Model Number and Serial Number will be required for the warranty service.

The limited warranty will not reimburse you for the cost of any inconvenience, food, personal injury or property damage. All warranty coverage is void if this appliance is ever used for commercial or rental purposes. And this limited warranty applies to the functionality of the product **ONLY** and does not cover cosmetic issues such as scratches, dents, corrosions or discoloring by heat, abrasive and chemical cleaners or any tools used in the assembly or installation of the appliance, surface rust, or the discoloration of stainless steel surfaces.

ITEMS NOT COVERED IN THE WARRANTY SERVICE

Any failures or operating difficulties due to accident, abuse, misuse, alteration, misapplication, vandalism, improper installation or improper maintenance or service, or failure to perform normal and routine maintenance, including but not limited to damage caused by insects within the burner tubes, as set out in the owner's manual.

Deterioration or damage due to severe weather conditions such as hail, hurricanes, earthquakes or tornadoes, discoloration due to exposure to chemicals either directly or in the atmosphere.

Cost of service calls to your home.

Costs of removal or re-installation.

Pickup and delivery of your product.

Shipping or transportation costs.

Labor costs for installation and repair.


Liability for indirect, or consequential damages.

This limited warranty is the sole warranty given by Creole Feast® and is in lieu of all other warranties, expressed or implied including implied warranty, merchantability, or fitness for a particular purpose. Neither Creole Feast® nor the retail establishment selling this product has authority to make any warranties or to promise any remedies in addition to or inconsistent with those stated above.


The maximum liability of Creole Feast®, in any event, shall not exceed the purchase price of the product paid by the original consumer purchaser. Some states do not allow the exclusion or limitation of incidental or consequential damages. In such a case, the above limitations or exclusions may not be applicable.

Do not return parts without prior to obtaining return authorization from our customer service department.

Please do not hesitate to contact our customer service when you have any questions regarding assembly, warranty, or accessories. We will be happy to offer any replacement parts you need during the warranty period.

 1-800-618-6798

 service@creolefeast.com

 Mon-Fri, 8:30 AM-5:00 PM, EST

ÍNDICE

Para su seguridad	13-14
Información e instrucciones generales	15-16
Instrucciones de funcionamiento	17-19
Limpieza y mantenimiento	20
Guía de solución de problemas	21
Garantía y servicio al cliente	22
Diagrama de partes	34
Lista de piezas	35
Lista de hardware	36
Montaje	37-40

PELIGRO

Si huele gas:

1. Apague el suministro de gas al aparato.
2. Extinga cualquier llama abierta.
3. Si el olor permanece, manténgase alejado del aparato y llame inmediatamente a su departamento de bomberos.

NOTA: El incumplimiento de estas instrucciones podría provocar un incendio, una explosión o quemaduras, que podrían causar daños a la propiedad, lesiones personales o la muerte.

ADVERTENCIA

1. La instalación debe cumplir con los códigos locales o, en ausencia de códigos locales, con el *Código Nacional de Gas Combustible*, ANSI Z223.1/NFPA 54.
2. No almacene ni utilice gasolina u otros líquidos o vapores inflamables cerca de este o cualquier otro aparato.
3. No se debe almacenar un bombona de gas licuado que no esté conectado para su uso en las proximidades de este o cualquier otro aparato.

ADVERTENCIA

**NUNCA FRÍE PAVOS CON ESTE APARATO.
ESTE APARATO ESTÁ CONCEBIDO PARA CALENTAR AGUA SÓLO
(NO ACEITES O GRASAS).
ESTE APARATO ES EXCLUSIVAMENTE PARA USO EN EXTERIORES.**

En caso de cualquier problema, ¡llámenos primero! **NO** devuelva el aparato al minorista. Este aparato ha sido hecha con altos estándares de calidad. Si tiene alguna pregunta que no figure en este manual del usuario, o necesita piezas, llame a nuestra línea directa de atención al cliente.

PRECAUCIÓN

1. Por favor, guarde este Manual del Usuario para futuras referencias.
2. Este aparato **NO** está concebido para uso comercial.
3. Este aparato no está concebido y nunca debe usarse como calentador.
4. Este aparato está diseñada para su uso con gas propano solamente (excluidos los bombona de propano).
5. **NO** use gasolina, queroseno o alcohol para la iluminación. Este aparato no está diseñada para usarse en vehículos o botes recreativos.
6. Los niños no deben utilizar su aparato. Mantenga a los niños y a los animales domésticos alejados cuando esté en uso.
7. **NO** intente mover el aparato mientras está encendida o caliente. **NO** altere el aparato de ninguna manera.
8. **NO** utilice el aparato a menos que esté completamente montada, y todas las piezas estén bien sujetas y apretadas.
9. **NO** utilice el aparato ni ningún producto de gas cerca de edificios y materiales combustibles sin protección.
10. **NO** la utilice en presencia de gases o vapores. Mantenga el área de cocción despejada y libre de materiales combustibles, gasolina y otros vapores y líquidos inflamables.
11. **NO** llene la olla por debajo de la línea de llenado mínimo ni por encima de la línea de llenado máximo.
12. No obstruya el flujo de aire para la combustión y la ventilación.
13. Limpie e inspeccione la manguera antes de cada uso. Si hay evidencia de abrasión, desgaste, cortes o fugas, la manguera debe reemplazarse antes de operarel el aparato. El conjunto de manguera de repuesto debe ser según las especificaciones del fabricante especificadas por el fabricante.
14. Mantenga el compartimento de válvulas el aparato, los quemadores y los conductos de aire circulante limpios. Compruebe el aparato antes de cada uso.
15. Mantenga las aberturas de ventilación de la carcasa del bombona libres de escombros.
16. El aparato no debe usarse sobre o debajo de ningún balcón o terraza de un apartamento o condominio.
17. El escudo térmico debe estar siempre en su lugar durante el uso.
18. Este aparato estará **CALIENTE** durante y después de su uso. Los líquidos calentados permanecen a temperaturas susceptibles de producir quemaduras durante un largo periodo después del proceso de hervido. Nunca toque el aparato de hervido hasta que los líquidos se hayan enfriado hasta 115 °F (46 °C) o por debajo. Use manoplas o guantes aislantes de horno para protegerse de superficies calientes o salpicaduras de líquidos de cocinado.
19. Tenga siempre a mano un extintor homologado cuando utilice este producto. Un extintor de polvo químico seco de Clase "B" o "CO₂", o preferiblemente un extintor de Clase "K". Se debe tener especial cuidado para comprender las instrucciones del fabricante y estar preparado para manejar el extintor apropiado antes de usar este aparato. Si continúa oliendo a gas, comuníquese inmediatamente con el Departamento de Extinción de Incendios (bomberos) (por ejemplo, en el 911) y no se acerque al aparato.
20. Si se produjera un incendio, manténgase alejado del aparato y llame inmediatamente al Servicio de Extinción de Incendios (bomberos).



ADVERTENCIAS DE LA PROPOSICIÓN 65 DE CALIFORNIA

1. Los combustibles utilizados en los aparatos que queman gas y los subproductos de la combustión de dichos combustibles pueden exponerlo a sustancias químicas, incluido el monóxido de carbono, que según el Estado de California causa defectos de nacimiento u otros daños reproductivos.
2. Este producto contiene Níquel (Metálico) conocido en el Estado de California como causante de cáncer.
3. Este producto contiene Plomo y Compuestos de Plomo que el Estado de California reconoce como causantes de cáncer y defectos de nacimiento u otros daños reproductivos.

Para más información, visite: www.P65Warnings.ca.gov

⚠️ ADVERTENCIA ⚠️

1. Este aparato es sólo para uso al aire libre y no debe utilizarse dentro de un edificio, garaje, o cualquier otro espacio cerrado.
2. El consumo de alcohol, medicamentos recetados o de venta libre puede afectar la capacidad de los operadores para ensamblar correctamente o operar el aparato de manera segura.
3. Coloque siempre el aparato en una superficie dura y nivelada lejos de los combustibles.
4. No dejar un aparato iluminada desatendida. SIEMPRE mantenga a los niños y mascotas lejos del aparato.
5. No coloque el aparato sobre ningún tipo de superficie de mesa.
6. No utilice el aparato con vientos fuertes.

⚠️ PELIGRO: RIESGO DE BOMBONA DE GAS ⚠️

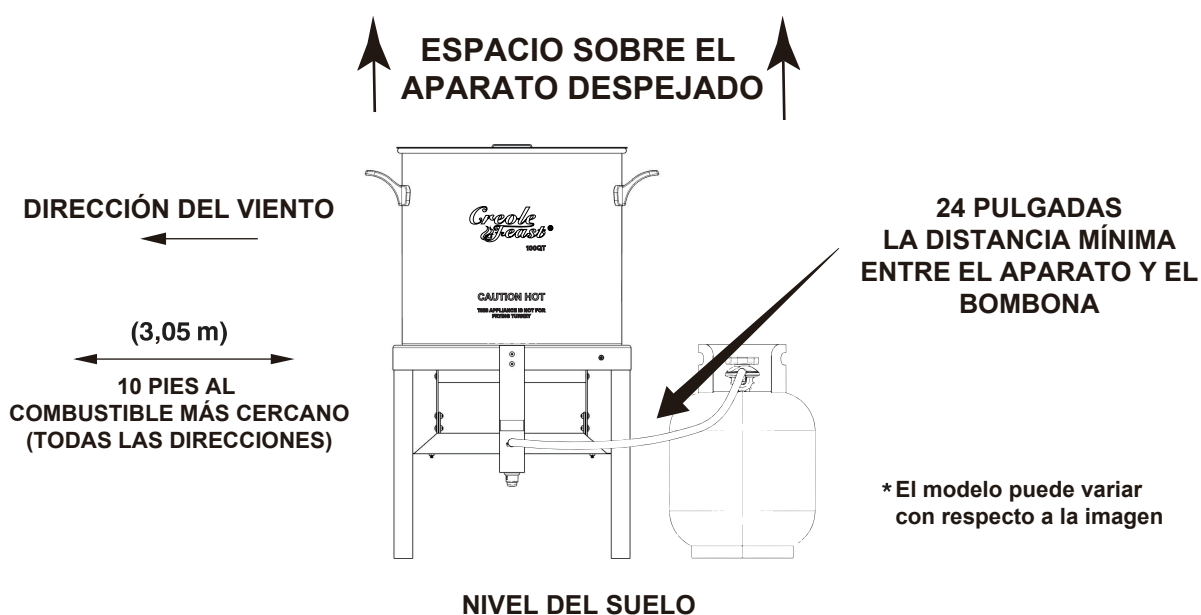
El gas propano líquido es inflamable y peligroso si se manipula incorrectamente. Comprender las características antes de utilizar cualquier producto de propano.

1. Características de propano: inflamable, explosivo bajo presión, más pesado que el aire, se asienta en piscinas y áreas bajas.
2. En su estado natural, el propano no tiene olor. Para su seguridad, se ha añadido un olor.
3. El contacto con el propano puede provocar quemaduras de congelación en la piel.
4. Este aparato se envía desde la fábrica para su uso con gas propano solamente.
5. Nunca utilice un bombona de gas con un cuerpo, válvula, anillo o base dañados.
6. Los cilindros de propano abollados u oxidados pueden ser peligrosos y deben ser revisados por su proveedor de gas propano.

⚠️ PARA SU SEGURIDAD ⚠️

1. Asegúrese de que haya una distancia mínima de 10 pies (3,05 metros) entre materiales combustibles y los lados y la parte posterior del aparato.
2. Mantenga una distancia de al menos 24 pulgadas (61 cm) entre el aparato y la bombona.
3. No coloque el aparato donde haya superficies combustibles por encima.

ADVERTENCIA: La manguera de gas es un peligro de tropiezo.



INSTRUCCIONES DE USO

Siga estas instrucciones cuidadosamente para evitar dañar seriamente su aparato y causar lesiones personales y a la propiedad.

1. Ensamble el aparato siguiendo cuidadosamente las siguientes instrucciones de montaje.
2. Conecte el bombona de gas al aparato (bombona de gas no incluido).
3. Cerrar la válvula reguladora antes de abrir el paso de gas al artefacto.
4. Maneje el regulador de acuerdo a las instrucciones provistas con el mismo.
5. Coloque la olla adecuada en el soporte y llénela según las líneas de llenado.

Modelo	Capacidad de la Olla	Diámetro de la Olla	Línea Mín.	Línea Max.
SBK0601	60 qt.	18,50 in.	2 gal.	8 gal.
SBK0801	80 qt.	19,69 in.	2 gal.	10 gal.
SBK1001	100 qt.	21,06 in.	2 gal.	12 gal.

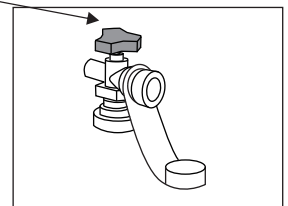
NOTA: Nunca use una olla de cocinado más grande que la capacidad y el diámetro recomendados arriba.

INFORMACIÓN DE BOMBONA Y GAS GLP

Su nueva aparato funciona con gas GLP (petróleo licuado). Es inodoro, incoloro y no tóxico cuando se produce. Puede oler gas GLP, ya que se le ha dado un olor similar al de huevos podridos por su seguridad.

El aparato utiliza el bombona de gas GLP más nuevo y seguro (tanque) que incluye dos características:

Rueda triangular de mano

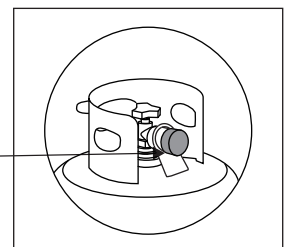


1. Un OPD (dispositivo de protección contra sobrellenado)-evita fugas accidentales de gas causadas por el sobrellenado del bombona. Cada bombona contiene un flotador que cierra la válvula de entrada cuando el bombona está 80% lleno. Esto deja espacio para que el gas propano se expanda en temperaturas altas. Una rueda de mano triangular distingue este tipo de bombona.
2. Una válvula de conexión rápida QCC1 Tipo 1 que proporciona conexiones rápidas al bombona y solo requiere ser apretada a mano.

TRANSPORTE Y ALMACENAMIENTO

1. El bombona de gas debe incluir un collar para proteger la válvula de suministro de gas.
2. No almacene un bombona de gas de repuesto cerca del aparato.
3. Nunca llene el bombona de gas más allá del 80% de su capacidad.
4. Si la advertencia en 2 y 3 anteriores no se hace caso exactamente, puede ocurrir un incendio que cause la muerte o lesiones graves.
5. Transporte siempre en posición vertical.
6. No fume al transportar su bombona de gas.

Tapa contra el polvo



7. Coloque una tapa contra el polvo en la salida de la válvula de gas del bombona siempre que el bombona no esté en uso. Use solo el tipo de tapa guardapolvo que se proporciona con la válvula del bombona cuando se compra. Otros tipos de tapones o tapones pueden provocar fugas de propano.

ESPECIFICACIONES DEL BOMBONA

1. El bombona comprado o intercambiado por su aparato debe ser fabricado y marcado de acuerdo con las especificaciones para bombonas de gas GLP del Departamento de Transporte (DDT) de EE. UU. o el Estándar Nacional de Canadá, CAN/CSA-B339, Cilindros, Esferas y Tubos para Transporte de mercancías peligrosas y comisión, Estar equipado con un dispositivo de prevención de sobrellenado (OPD) listado y estar equipado con un dispositivo de conexión de cilindro compatible con la conexión para aparatos de cocina al aire libre.
2. El bombona de gas GLP que se utiliza con este artefacto no debe sobrepasar las 20 libras (9,1 kg) de capacidad. Aproximadamente 18 pulgadas (45,7 cm) de alto y 12 pulgadas (30,5 cm) de diámetro.
3. Este aparato está diseñada para adaptarse a los cilindros de 20 libras (9,1 kg) de las marcas Worthington, Manchester o SMPC. Otras marcas pueden ajustarse a este aparato si el cuello superior y el anillo de soporte inferior tienen dimensiones similares.

EL BOMBONA TAMBIÉN DEBE ESTAR EQUIPADO CON:

1. Una válvula de cierre que termina en una salida de la válvula del bombona de gas tipo 1
2. Una válvula tipo 1 que evita el flujo de gas hasta que se hace un sello positivo
3. Un collar para proteger la válvula de cierre del bombona
4. Un dispositivo de alivio de seguridad que está directamente relacionado con el espacio de vapor del bombona

ADVERTENCIA

Si se congela la válvula del bombona de gas, puede haber una sobredosis de gas. Cierre la válvula de baja presión y llame inmediatamente al distribuidor de GLP.

1. NO conecte este aparato a una válvula de bombona POL #510 existente con roscas a la izquierda. La válvula Tipo 1 se puede identificar mediante las grandes roscas externas de la salida de la válvula.
2. NO conecte a un bombona de gas que exceda esta capacidad.
3. NO conecte a un bombona que utilice ningún otro tipo de dispositivo de conexión de válvula.

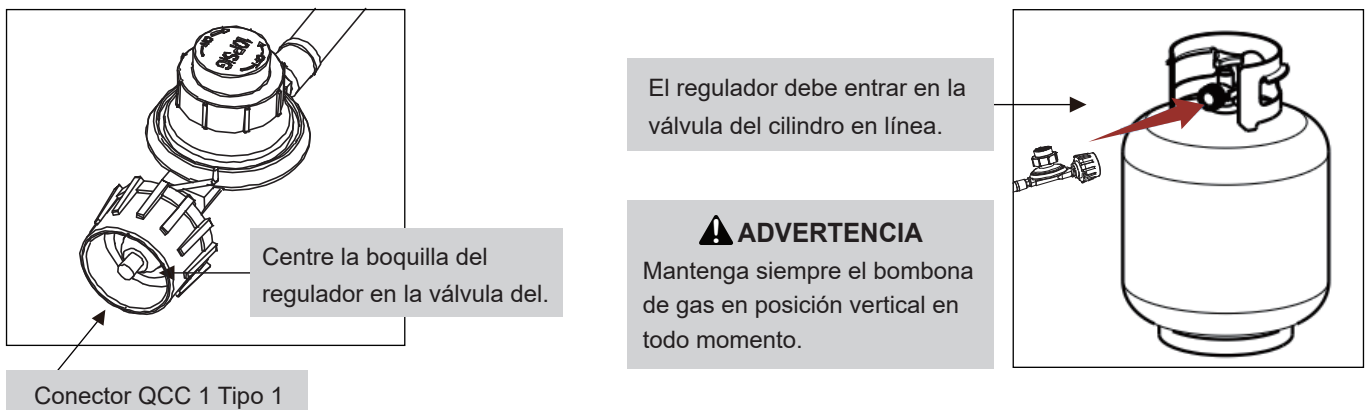
CONECTANDO EL REGULADOR A LA BOMBONA DE GAS

⚠ PRECAUCIÓN ⚠

Utilice únicamente el regulador de presión de gas suministrado con este aparato de cocción al aire libre. Este regulador está configurado para una presión de salida de 11 pulgadas columna de agua.

Su regulador está equipado con un sistema de conexión rápida QCC Tipo 1. No permite que el gas fluya hasta que se haya hecho un sello positivo. Tiene un elemento térmico que apaga el flujo de gas si la temperatura alcanza los 115 °C (240 °F). También tiene un dispositivo de limitación de flujo que restringe el flujo de gas a 0,28 métricas cúbicas por hora (10 pies cúbicos por hora).

1. Asegúrese de que el bombona de gas esté apagado girando la rueda de mano en el sentido de las agujas del reloj hasta que se detenga.
2. Mantenga una distancia de al menos 24 pulgadas (61 cm) entre el aparato y la bombona.
3. Asegúrese de que la válvula reguladora esté en la posición OFF.
4. Retire la tapa de seguridad de la válvula del bombona.
5. Centre la boquilla del regulador en la válvula del bombona.
6. Gire la tuerca negra en el sentido de las agujas del reloj hasta que se detenga. Apriete a mano solamente. No utilice una llave inglesa.



⚠ ADVERTENCIA ⚠

1. No conecte este aparato a ninguna fuente no regulada de propano.
2. Antes de cada uso, compruebe si la manguera de gas es excesiva abrasión, desgaste o cortes. Reemplace un conjunto de manguera dañado por el especificado en la lista de piezas antes de usar el aparato.
3. Si el bombona ha sido sustituido, se han sustituido las partes de gas, se ha activado la unidad de caudal limitado del regulador o se ha dejado de usar durante un período prolongado, deberán realizarse las siguientes pruebas de fuga antes de que se utilice por primera vez el aparato.
4. No intente conectar este aparato al sistema de GLP de una autocaravana o remolque.

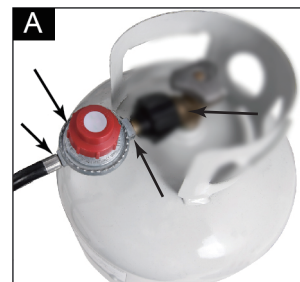
PRUEBA DE ESTANQUEIDAD DE LA BOMBONA DE GAS

1. La prueba de estanqueidad debe repetirse cada vez que se cambia o se vuelve a llenar la bombona de gas.
2. NO fume ni tenga nada cerca que pueda prender fácilmente, como encendedores o fósforos.
3. NO use una llama viva para verificar si hay fugas de gas.
4. Debe comprobarse si hay fugas en el aparato al aire libre, en un área bien ventilada y lejos de llamas vivas o chispas.
5. RETIRE las ollas u otros utensilios de cocina del quemador antes de comenzar la prueba.

PASOS DE LA PRUEBA DE ESTANQUEIDAD:

Use una brocha de pintura limpia y una solución de 50/50 de agua y jabón suave. No use productos de limpieza del hogar. Esto puede dañar los componentes del de gas.

1. Asegúrese todos, el regulador y las válvulas de las bombonas estén cerradas.
2. Cerciórese de que el regulador esté bien conectado al bombona de gas.
3. Abra por completo la válvula del bombona de gas, girando la manilla en sentido contrario a las agujas del reloj. Si escucha un sonido de ráfaga, cierre de inmediato el paso de gas. La conexión tiene una fuga considerable. Corrija esta situación antes de continuar.
4. Cepille la solución jabonosa en todas las uniones del metal y en toda el área de la válvula, como se muestra en las figuras.
5. Gire lentamente la válvula de la bombona de gas en sentido contrario a las agujas del reloj hasta la posición de abierta.
6. Las fugas pueden identificarse mediante la formación. Cierre de inmediato la válvula del bombona de gas y vuelva a apretar las conexiones.
7. Si no puede eliminar las fugas, no intente repararlas, contacte a su proveedor del aparato para obtener ayuda. No intente utilizar la aparato si hay una fuga.
8. Examine siempre la manguera en busca de daños. Si observa algún daño, no intente reparar la manguera. Reemplazar la manguera es la única opción segura.
9. Para obtener ayuda con cualquier funcionamiento defectuoso relacionado con la bombona de gas, el regulador o la manguera, contacte con el servicio de atención al cliente.
10. Después de hacer una prueba para detectar fugas, cierre siempre la válvula del bombona de gas, girando la manilla en el sentido de las agujas del reloj.



BAJO NINGUNA CIRCUNSTANCIA, LA VÁLVULA DEBE PERMANECER EN LA POSICIÓN DE ENCENDIDO MÁS DE 12 SEGUNDOS.

⚠ ADVERTENCIA ⚠

1. NO UTILICE EL APARATO si hay fugas. Asegúrese de que la válvula del bombona de gas esté cerrada. Si el bombona de gas sigue teniendo fugas, póngase en contacto con su distribuidor de GLP o llame al 911.
2. No utilice fósforos, llamas abiertas ni humo durante las pruebas de fugas.
3. No encienda ningún quemador durante las pruebas de fugas.
4. Las piezas de repuesto, incluido un conjunto de manguera de repuesto debe ajustarse a las especificaciones de la lista de piezas de repuesto.

El incumplimiento de esas instrucciones puede dar lugar a graves lesiones personales.

INSTRUCCIONES DE ILUMINACIÓN

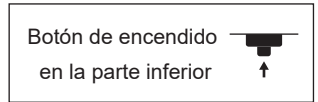
Cada quemador de aparato se prueba y calibra en la fábrica antes del envío; sin embargo, los cambios en el suministro local de gas natural pueden requerir un ajuste del quemador. Por favor, compruebe visualmente las llamas de los quemadores. Compruebe siempre visualmente el aparato antes de encenderlo. Reemplace cualquier manguera que esté deshilachada o agrietada. Busque cualquier cosa que pueda bloquear la ventilación y eliminar tal obstrucción o mover el aparato. Después de la iluminación compruebe el modo de fuego para asegurarse de que el calor de cada quemador se distribuye uniformemente. Si los quemadores no se encienden o si el patrón de llama es desigual, consulte la sección Solución de problemas.

⚠ ADVERTENCIA: ANTES DE LA ILUMINACIÓN ⚠

1. Lea las instrucciones antes de la iluminación.
2. Si el encendido no se produce en 5 segundos, apague la válvula reguladora, espere 5 minutos y repita el procedimiento de iluminación.
3. Inspeccione la manguera de suministro de gas antes de encender el gas. Si hay evidencia de cortes, desgaste o abrasión, debe reemplazarse antes de su uso. No utilice el aparato si hay olor a gas. Utilice únicamente el regulador de presión y el conjunto de manguera suministrados con la unidad.
4. Nunca utilice reguladores y conjuntos de mangueras que no sean los suministrados con el aparato. Si es necesario un reemplazo, comuníquese con el fabricante para obtener el reemplazo adecuado. El reemplazo debe realizarse según las especificaciones del Manual del Usuario. **NO DEJE EL APARAT DESATENDIDA MIENTRAS COCINA.**

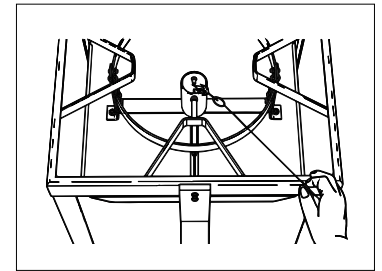
ILUMINACIÓN DE EL QUEMADOR MEDIANTE IGNICIÓN ELECTRÓNICO

1. Asegúrese de que la válvula reguladora esté completamente cerrada.
 2. Abra la válvula del bombona de gas girando en sentido contrario a las agujas del reloj.
 3. Abra la válvula del regulador girando en el sentido de las agujas del reloj.
 4. Mantenga pulsado el botón de encendido para encender el quemador.
 5. Si el quemador no se enciende, apague la válvula reguladora, espere 5 minutos antes de intentar volver a encender el quemador.
 6. Si el quemador se enciende, gire el regulador hasta la posición del calor deseado.
- * Si el quemador siguen sin encenderse, compruebe el suministro de gas.



ILUMINACIÓN MANUAL DE EL QUEMADOR CON FÓSFORO

1. Asegúrese de que la válvula reguladora esté completamente cerrada.
 2. Abra la válvula del bombona de gas girando en sentido contrario a las agujas del reloj.
 3. Abra la válvula del regulador girando en el sentido de las agujas del reloj.
 4. Ponga un fósforo en el portafósforos. El portafósforos está unido al soporte del quemador.
 5. Utilice el soporte para deslizar el fósforo encendido a través del quemador. El quemador debería encenderse inmediatamente. NO se ponga con la cabeza o los brazos sobre el quemador.
 6. Si el quemador no se enciende, apague la válvula reguladora, espere 5 minutos antes de intentar volver a encender el quemador.
 7. Si el quemador se enciende, gire el regulador hasta la posición del calor deseado.
- * Si el quemador siguen sin encenderse, compruebe el suministro de gas.



APAGAR EL APARATO

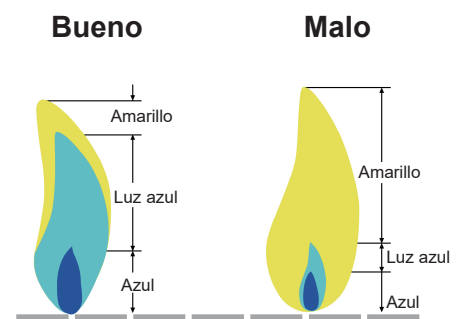
1. Apague el suministro de gas en el bombona de gas girando la válvula en el sentido horario.
2. Gire la válvula reguladora a la posición OFF.

⚠ ADVERTENCIA ⚠

¡No utilice alcohol o gasolina para encender o volver a encender!

LLAMAS DE QUEMADOR

Encienda el quemador y regule la llama con la válvula de control del regulador hasta lograr la llama deseada. Compruebe siempre la llama antes de cada uso. Una llama azul con poca o ninguna llama amarilla proporciona el mejor calor.



Su nueva aparato ha sido diseñada y fabricada con altos estándares de calidad. Le dará muchos años de tiempo de cocción, sin embargo, necesita un mínimo de mantenimiento.

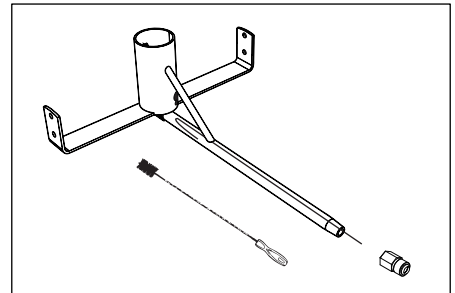
NOTA: Limpie todo el aparato todos los años y apriete todos los elementos con regularidad (1-2 veces al año o más, según el uso). La limpieza debe realizarse utilizando detergentes que no dañen el patio, el césped o el medio ambiente.

⚠ ADVERTENCIA ⚠

1. No limpie ninguna parte de su aparato en un horno autolimpiante.
2. No utilice limpiadores de horno, limpiadores de cocina abrasivos, limpiadores que contengan productos cítricos o alcoholes minerales.
3. Siempre deje que el aparato se enfríe antes de la limpieza.

PASOS PARA LA LIMPIEZA DEL QUEMADOR

1. Retire la manguera del regulador del quemador.
2. Mire dentro del tubo del quemador en busca de nidos de insectos, telarañas o barro.
3. Para eliminar las obstrucciones señaladas arriba, use un cepillo venturi flexible o doble un pequeño gancho en un extremo de un cable largo y flexible como el que se muestra en la imagen adjunta.
4. Inspeccione y limpie el quemador si es necesario.
5. Vuelva a conectar el conector de latón al quemador. Limpie todas las superficies de cocción de recipientes, ollas de aluminio y sartenes con agua caliente con jabón y un paño de limpieza de nailon con regularidad.



LIMPIAR OLLAS DE ALUMINIO

1. Se recomienda curar la olla antes de usar. Vierta una pequeña cantidad de aceite vegetal en el interior y extiéndalo con una toalla de papel hasta cubrir todo el fondo y los lados. Déjelo reposar durante 10 minutos. Lave el interior de la olla, estará lista para usar. NO exponer a llama durante ninguno de estos procesos.
2. Después de cocinar, deje que las ollas y las tapas se enfríen gradualmente. No vierta agua fría en una olla caliente. Esto hará que el fondo de la olla se deforme. Siempre lave bien las ollas concienzudamente con detergente jabonoso caliente después de cada uso para eliminar todos los restos de comida, sal o partículas de grasa que puedan quemarse y causar manchas cuando se vuelva a calentar la olla.
3. Curar las ollas facilitará su limpieza. Se pueden usar estropajos y limpiadores de aluminio para limpiar el interior de las ollas, pero rayarán el exterior.
4. Las ollas de aluminio pulido perderán el lustre y se decolorarán con el uso normal.
5. Cocinar con grandes cantidades de sal es muy corrosivo y puede causar agujeros en la olla y la cesta. Para reducir la posibilidad de que esto ocurra, no permita que agua salada permanezca en la olla durante un período prolongado después de que la olla se haya enfriado. La cesta y la olla deben limpiarse a fondo después de cada uso.

NOTA: NO almacene aceite de cocina dentro de las ollas. La sal y los condimentos se asentarán y pueden hacer que se formen hoyos en el fondo de las ollas.

⚠ ADVERTENCIA ⚠

1. La ubicación adecuada del quemador y la válvula es vital para garantizar la seguridad.
2. No utilice disolventes fuertes o estropajos abrasivos ya que pueden dañar las superficies y dejar marcas de arañazos.

ALMACENAMIENTO

1. Limpie el aparato antes de almacenarla. Almacenar en un lugar seco.
2. El almacenamiento de su aparato en el interior sólo es permisible si el bombona de gas se desconecta y retirado del aparato.
3. Se recomienda una cubierta para proteger su aparato. Puede elegir entre una variedad de cubiertas ofrecidas por fabricantes.
4. Realice una prueba de fugas antes de usar el aparato después de que se ha mantenido en el almacenamiento durante algún tiempo.

Pregunta: El quemador no enciende

Respuesta: Diferentes soluciones para diferentes causas.

1. Se terminó el gas GLP: Vuelva a llenar el bombona de gas GLP.
2. Problema del encendedor: Intente encender el quemador manualmente con un fósforo. Si el quemador se enciende correctamente, se trata de un problema del encendedor.
 - 2.1. Se agotó la batería del encendedor: Reemplace la batería.
 - 2.2. Revise la orientación de la pila: Instale la pila (verifique que los conectores "+" y "-" estén orientados correctamente, con el extremo "+" de la tapa.)

Pregunta: La llama de mi quemador parece muy débil.

Respuesta: Si el conjunto de manguera tiene una conexión Tipo 1 (mando negro/verde), está equipado con un dispositivo limitador del caudal. Este dispositivo está diseñado para limitar el caudal de gas en caso de que haya una fuga entre el regulador y el aparato. Para lograr un sellado del gas seguro, que permitirá un caudal gas máximo, el control del regulador debe girarse a una posición de completo APAGADO antes de abrir la válvula de la bombona. Un buen consejo para recordar es "La bombona se enciende lo primero, y se apaga lo último".

El problema se puede solucionar de dos formas:

- A. 1. Gire el control del regulador hasta la posición de APAGADO. Cierre completamente la válvula de la bombona girándola en el sentido de las agujas del reloj hasta el tope.
 2. Verifique que la conexión Tipo1 (mando negra) esté completamente ajustada a la válvula del bombona.
 3. Espere 5 segundos para que la presión se iguale y el dispositivo limitador de flujo se reinicie.
 4. Encienda la válvula de la bombona (en sentido contrario a las agujas del reloj).
 5. Gire el control del regulador a la posición ENCENDIDO.
 6. Vuelva a encender el aparato de cocinado siguiendo todas las instrucciones de encendido contenidas en este Manual del Propietario. Verifique que la llama sea adecuada.

Ó

- B. 1. Gire el control del regulador a la posición de APAGADO. Cierre completamente la válvula de la bombona girándola en el sentido de las agujas del reloj hasta el tope.
 2. Retire la conexión de tipo 1 (mando negro/verde) de la válvula de la bombona. El dispositivo de limitación de flujo ahora se reiniciará.
 3. Vuelva a conectar la conexión tipo 1 (mando negro/verde) a la válvula de la bombona. Apriete completamente.
 4. Encienda la válvula de la bombona (en sentido contrario a las agujas del reloj).
 5. Gire el control del regulador a la posición de ENCENDIDO.
 6. Vuelva a encender el quemador siguiendo todas las instrucciones de encendido contenidas en este Manual del Propietario. Verifique que la llama sea adecuada.

Pregunta: ¿Cuánto dura el gas de mi bombona?

Respuesta: De media, una bombona llena le proporcionará de 4 a 5 horas de cocinado normal.

Pregunta: La llama se ha apagado.

Respuesta: Diferentes soluciones para diferentes causas.

1. Nivel de gas bajo en la bombona de gas o ésta está vacía: Compruebe el nivel de gas en la bombona de gas.
2. Demasiado viento: Verifique la dirección del viento y coloque la olla lejos de áreas con viento.
3. Quemador bloqueado: Limpie y revise el quemador para ver si hay arañas, nidos de insectos y restos.
4. Agua en el quemador: Compruebe la humedad del quemador, asegúrese de que esté seco.

Si no puede resolver su problema con la información de desactivación antes mencionada, póngase en contacto con su distribuidor de gas local.

Gracias por adquirir la Equipo de Hervido de Marisco de Creole Feast®.

Creole Feast® garantiza que sus productos no presentan defectos de fabricación, ni de material ni de la mano de obra, si se los ensambla correctamente, se los utiliza de forma normal y se los cuida según las recomendaciones, durante un período de **1 año** a partir de la fecha de compra original. La garantía no cubre el acabado de la pintura ya que puede salirse durante el uso normal. **RUST no se considera una de fabricación o materiales defecto.**

Durante el período de vigencia establecido de la garantía, Creole Feast®, a su criterio, reemplazará los componentes defectuosos sin costo alguno, debiendo hacerse responsable el propietario de los gastos de envío. Creole Feast® se reserva el derecho de exigir la devolución de las piezas defectuosas, enviadas con el porte o el flete pagado por el consumidor, para ser revisadas y examinadas. En cas de problèmes de disponibilité des pièces, Creole Feast® se réserve le droit de remplacer des pièces similaires qui sont également fonctionnels. Después de la fecha de vencimiento de la garantía, finalizarán todas las responsabilidades.

***Nota:** A fecha de recibo con el número de modelo y el número de serie de compra serán necesarios para el servicio de garantía.

Esta garantía limitada no ampara el costo en el que se incurra por inconvenientes, alimentos, lesiones ni daños a la propiedad. Cualquier cobertura de garantía será nula si este aparato se utiliza con fines comerciales o de alquiler. Esta garantía limitada atañe ÚNICAMENTE al funcionamiento del producto y no ampara rayones, abolladuras, corrosión ni decoloración ocasionada por el calor, los productos de limpieza abrasivos y químicos, ni por las herramientas usadas en el armado o en la instalación del aparato, oxidación de las superficies ni decoloración de las superficies de acero inoxidable.

LO QUE NO ESTÁ CUBIERTO EN EL SERVICIO DE GARANTÍA

Cualquier falla o problema de funcionamiento debido a un accidente, uso indebido o incorrecto, alteración, uso para otros fines, vandalismo, instalación incorrecta o mantenimiento o reparación inadecuados, o el incumplimiento del mantenimiento de rutina, incluyendo, pero sin limitarse a, daños causados por insectos dentro de los tubos del quemador, como se especifica en el manual del propietario.

Deterioro o daños debidos a condiciones meteorológicas severas, como granizo, huracanes, terremotos o tornados, decoloración debido a exposición a productos químicos ya sea directamente o en el ambiente.

Costo de llamadas de servicios.

Costos de envío o transportación.

La recogida y el envío de su producto.

Costos de devolución o reinstalación.

Costo de mano de obra por reinstalación o reparaciones.

Responsabilidad por daños indirectos o consiguientes.

Esta garantía Limitada es la única garantía entregada por Creole Feast® y eemplaza a todas las demás garantías, expresas o implícitas, incluidas las garantías implícitas de comercialización o idoneidad para cualquier fin en particular. Ni Creole Feast® ni el establecimiento minorista que ofrece este producto, tienen autoridad alguna para otorgar garantías o prometer otros recursos que sean adicionales o inconsistentes con los establecidos previamente.

La responsabilidad máxima de Creole Feast®, en todos los casos, no superará el precio de compra del producto que el cliente o comprador original pagó. Algunos estados no permiten la exclusión o limitación de daños accidentales o resultantes. En dicho caso, no se aplicarán las exclusiones o limitaciones anteriores.

No devuelva piezas sin antes obtener la autorización de devolución de nuestro departamento de servicio al cliente.

Si tiene alguna duda sobre el nuevo montaje, la garantía o el anexo, por favor póngase en contacto con nuestro servicio al cliente. Estaremos encantados de ofrecer cualquier pieza de repuesto que necesite durante el período de garantía.



1-800-618-6798



service@creolefeast.com



Lun.-Vie. 8:30 AM-5:00 PM, EST

CONTENU

Pour votre sécurité	24-25
Informations et instructions générales	26-27
Instructions d'utilisation	28-30
Nettoyage et entretien	31
Guide de dépannage	32
Garantie et service de clientèle	33
Schéma des pièces	34
Liste des pièces	35
Liste du matériel	36
Assemblage	37-40

DANGER

Si vous sentez du gaz:

1. Coupez l'alimentation en gaz de l'appareil.
2. Éteignez toute flamme nue.
3. Si une odeur persiste, éloignez-vous de l'appareil et appelez immédiatement les pompiers.

REMARQUE: Le non-respect de ces instructions peut entraîner un incendie, une explosion ou des brûlures pouvant entraîner des dommages matériels, des blessures corporelles ou la mort.

AVERTISSEMENT

1. L'installation doit être conforme aux codes locaux ou, en l'absence de codes locaux, au *Code national du gaz combustible*, ANSI Z223.1/NFPA 54.
2. Ne pas stocker ou utiliser d'essence ou d'autres liquides ou vapeurs inflammables à proximité de cet appareil ou de tout autre appareil.
3. Une bouteille de GPL non raccordée ne doit pas être entreposée à proximité de cet appareil ou de tout autre appareil.

ATTENTION

**NE JAMAIS FRIRE DE DINDES AVEC CET APPAREIL.
L'APPAREIL EST UNIQUEMENT DESTINÉ À CHAUFFER DE L'EAU
(PAS L'HUILE OU LA GRAISSE).
CET APPAREIL EST DESTINÉ À ÊTRE UTILISÉ À L'EXTÉRIEUR UNIQUEMENT.**

En cas de problème, appelez-nous d'abord! NE PAS renvoyer l'appareil au détaillant. Cet appareil a été conçu selon des normes de qualité élevées. Si vous avez des questions qui ne sont pas traitées dans ce manuel de l'utilisateur ou si vous avez besoin de pièces détachées, veuillez appeler notre service de clientèle.

! ATTENTION !

1. Veuillez conserver ce manuel de l'utilisateur pour référence ultérieure.
2. Cet appareil n'est PAS destiné à un usage commercial.
3. Cet appareil n'est pas destiné à servir de chauffage et ne doit jamais être utilisé comme tel.
4. Cet appareil est conçu pour être utilisé avec du gaz propane uniquement (bouteille de gaz propane non incluse).
5. N'UTILISEZ PAS d'essence, de kérosène ou d'alcool pour l'éclairage. Cet appareil n'est pas destiné à être utilisé dans ou sur des véhicules ou des bateaux de plaisance.
6. Les enfants ne doivent jamais utiliser votre appareil. Gardez les enfants et les animaux domestiques à l'écart lorsqu'elle est utilisée.
7. N'essayez PAS de déplacer l'appareil lorsqu'il est allumé ou chaud. NE PAS modifier l'appareil.
8. N'UTILISEZ PAS l'appareil s'il n'est pas complètement assemblé et que toutes les pièces sont solidement fixées et serrées.
9. N'UTILISEZ PAS l'appareil ou tout autre produit à gaz à proximité de bâtiments et de matériaux combustibles non protégés.
10. N'UTILISEZ PAS en présence de gaz ou de vapeurs. Gardez l'endroit du cuisson dégagé et exempt de matériaux combustibles, d'essence et d'autres vapeurs et liquides inflammables.
11. NE PAS remplir la marmite en dessous de la ligne de remplissage minimum ou au-delà de la ligne de remplissage maximum.
12. N'obstruez pas le flux d'air pour la combustion et la ventilation.
13. Nettoyez et inspectez le tuyau avant chaque utilisation. S'il y a des signes d'abrasion, d'usure, de coupure ou de fuite, le tuyau doit être remplacé avant d'utiliser l'appareil. Le tuyau de remplacement doit être conforme aux spécifications du fabricant spécifiées par le fabricant.
14. Gardez le compartiment de la vanne de l'appareil, les brûleurs et les passages d'air de circulation propres. Inspectez l'appareil avant chaque utilisation.
15. Gardez les ouvertures de ventilation de l'enceinte de la bouteille exempts de débris.
16. L'appareil ne doit pas être utilisé sur ou sous le balcon ou la terrasse d'un appartement ou d'une copropriété.
17. L'écran thermique doit toujours être en place pendant l'utilisation.
18. Cet appareil sera CHAUD pendant et après son utilisation. Les liquides chauffés restent à des températures chaudes et brûlantes longtemps après la cuisson. Ne touchez jamais l'appareil de cuisson avant que les liquides n'aient refroidi à une température de 115 °F (46 °C) ou moins. Utilisez des gants ou des mitaines de cuisine isolés pour vous protéger des surfaces chaudes ou des éclaboussures de liquides de cuisson.
19. Ayez toujours un extincteur approuvé à portée de main lorsque vous utilisez ce produit. Un extincteur à poudre chimique de classe "B" ou à "CO₂" ou, de préférence, un extincteur de classe "K". Il faut veiller tout particulièrement à comprendre les instructions du fabricant et être prêt à utiliser l'extincteur approprié avant d'utiliser cet appareil.
20. En cas d'incendie, tenez-vous à l'écart de l'appareil et appelez immédiatement les pompiers.

**PROPOSITION 65 DE CALIFORNIE AVERTISSEMENTS**

1. Les carburants utilisés dans les appareils à gaz et les sous-produits qui appliquent ces carburants peuvent vous exposer à des produits chimiques, y compris le monoxyde de carbone, qui est considérés comme les sources d'anomalie congénitale ou d'autres troubles de la reproduction par l'État de Californie.
2. Ce produit contient du Nickel (Métallique) reconnu par l'État de Californie comme la source de cancer.
3. Ce produit contient du Plomb et des Composés de plomb reconnu par l'État de Californie qui provoque le cancer, des anomalies congénitales ou d'autres troubles de la reproduction.

Pour plus d'informations, visitez: www.P65Warnings.ca.gov

⚠ AVERTISSEMENT ⚠

1. Cet appareil est destiné à un usage extérieur uniquement et ne doit pas être utilisé à l'intérieur d'un bâtiment, d'un garage ou de tout autre espace fermé.
2. La consommation d'alcool, de médicaments sur ordonnance ou en vente libre peut nuire à la capacité des opérateurs d'assembler correctement ou de faire fonctionner l'appareil en toute sécurité.
3. Placez toujours votre appareil sur une surface dure et plane loin des combustibles.
4. Ne laissez pas un appareil allumé sans surveillance. Tenez TOUJOURS les enfants et les animaux éloignés du grill.
5. Ne placez l'appareil sur aucun type de surface de table.
6. N'utilisez pas l'appareil en cas de vent fort.

⚠ DANGER: RISQUE LIÉ AUX BOUTEILLES DE GPL ⚠

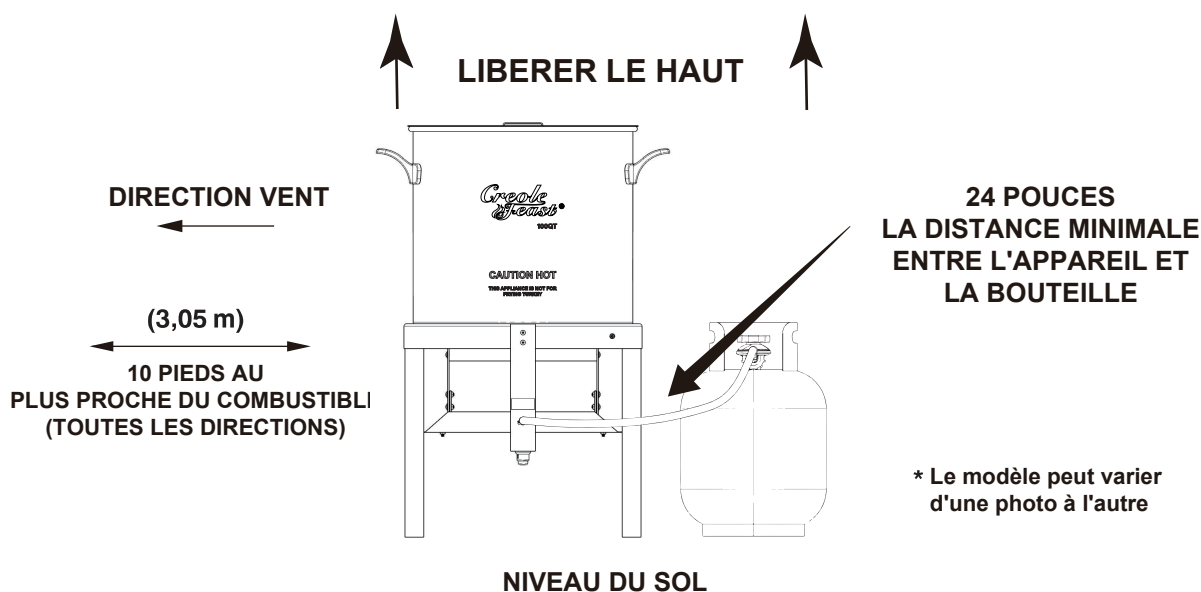
Le gaz propane liquide est inflammable et dangereux s'il est manipulé incorrectement. Comprenez les caractéristiques avant d'utiliser tout produit au propane.

1. Caractéristiques du propane: Inflammable, explosif sous pression, plus lourd que l'air, se dépose dans les piscines et les zones basses.
2. À l'état naturel, le propane n'a pas d'odeur. Pour votre sécurité, un odorant a été ajouté.
3. Le contact avec le propane peut causer des brûlures de gel sur la peau.
4. Cet appareil est expédié de l'usine pour une utilisation avec du gaz propane uniquement.
5. N'utilisez jamais une bouteille de propane avec un corps, une vanne, un collier ou des pieds endommagés.
6. Les bouteilles de propane bosselées ou rouillées peuvent être dangereuses et doivent être vérifiées par votre fournisseur de gaz propane.

⚠ POUR VOTRE SÉCURITÉ ⚠

1. Veillez à ce qu'il y ait une distance minimale de 10 pieds (3,05 mètres) entre les matériaux combustibles et les côtés et l'arrière de l'appareil.
2. Maintenez une distance d'au moins 24 pouces (61 cm) entre l'appareil et le cylindre.
3. Ne placez pas ou n'utilisez pas l'appareil sous des matériaux combustibles non protégés.

ATTENTION: Le tuyau de gaz présente un risque de trébuchement.



INSTRUCTIONS POUR L'USAGE

Suivre correctement ce mode d'emploi afin d'éviter de sérieux dommages corporels ou matériels ainsi que pour préserver l'appareil.

1. Suivre soigneusement les instructions de montage de l'appareil.
2. Connectez la bouteille de propane à l'appareil (bouteille de propane non incluse).
3. Tournez la valve de régulation en position « Arrêt » (éteinte) avant d'ouvrir l'arrivée de gaz.
4. Utiliser le régulateur en fonction des instructions données.
5. Remplissez-le jusqu'à la ligne de remplissage maximum.

Modèle	Capacité de la casserole	Diamètre de la casserole	Ligne minimale	Ligne maximale
SBK0601	60 qt.	18,50 in.	2 gal.	8 gal.
SBK0801	80 qt.	19,69 in.	2 gal.	10 gal.
SBK1001	100 qt.	21,06 in.	2 gal.	12 gal.

REMARQUE: N'utilisez jamais une casserole plus grande que la capacité et le diamètre recommandés ci-dessus.

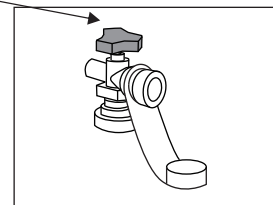
INFORMATIONS SUR LE GPL ET LES BOUTEILLES

Votre nouveau appareil à gaz fonctionne au gaz PL (pétrole liquéfié). Il est inodore, incolore et non toxique une fois produit. Vous pouvez sentir le gaz de pétrole liquéfié car il a reçu une odeur semblable à celle des œufs pourris, pour votre sécurité.

Votre appareil utilise la bouteille (réservoir) de GPL la plus récente et la plus sûre qui comprend deux caractéristiques:

1. Un OPD (dispositif de protection contre le sur-remplissage)-empêche les fuites de gaz accidentelles causées par un remplissage excessif du bouteille. Chaque réservoir contient un flotteur qui ferme la vanne d'entrée lorsque le bouteille est plein à 80%. Cela permet au gaz propane de se dilater aux températures élevées. Un volant triangulaire distingue ce type de bouteille.
2. Une vanne à connexion rapide QCC1 de type 1 qui fournit des branchements rapides du bouteille et ne nécessite qu'un serrage manuel.

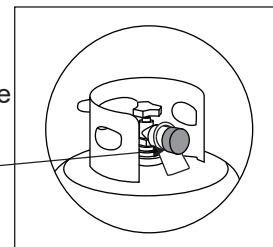
Volant triangulaire



TRANSPORT ET STOCKAGE

1. Le bouteille de gaz doit comprendre un collier pour protéger la vanne d'alimentation en gaz.
2. Ne stockez pas de bouteille de gaz de rechange sous ou à proximité de l'appareil.
3. Ne remplissez jamais le bouteille de gaz au-delà de 80% de sa capacité.
4. Si les avertissements en 2 et 3 ci-dessus ne sont pas exactement respectés, un incendie provoquant la mort ou des blessures graves peut se produire.
5. Transportez toujours en position verticale.
6. Ne fumez pas lors du transport de votre bouteille de gaz.
7. Placez un capuchon anti-poussière sur la sortie de la vanne de gaz du bouteille chaque fois que le bouteille n'est pas utilisé. Utilisez uniquement le type de capuchon anti-poussière fourni lors de l'achat de la vanne du bouteille. D'autres types de capuchons ou de bouchons peuvent entraîner une fuite de propane.

Bouchon anti-poussière



SPÉCIFICATIONS DE BOUTEILLE

1. Le bouteille de gaz acheté ou échangé pour votre appareil doit être fabriqué et marqué conformément aux spécifications pour les bouteilles de GPL du ministère des Transports des États-Unis (DOT) ou à la norme nationale du Canada, CAN/CSA-B339, Bouteilles, Sphères et Tubes pour le Transport des Marchandises Dangereuses, être équipé d'un dispositif anti- sur-remplissage (OPD) répertorié et être équipé d'un dispositif de connexion de bouteille compatible avec une connexion pour appareils de cuisson extérieurs.
2. La capacité de la bonbonne utilisée avec cet appareil ne doit pas dépasser 9,1 kg (20 lb.). Taille approximative: 45,7 cm (18 pouces) de hauteur et 30,5 cm (12 pouces) de diamètre.
3. Cet appareil est conçu pour s'adapter aux bouteilles de 9,1 kg (20 lb.) de marque Worthington, Manchester ou SMPC. D'autres marques peuvent s'adapter à cet appareil si le collier supérieur et l'anneau de support inférieur ont des dimensions similaires.

LA BOUTEILLE DOIT ÉGALEMENT ÊTRE ÉQUIPÉE DE:

1. Une vanne d'arrêt se terminant par une sortie de vanne de bouteille de gaz de type 1
2. Une vanne de type 1 qui empêche l'écoulement du gaz jusqu'à ce qu'un joint positif soit réalisé
3. Un collier pour protéger la vanne d'arrêt de la bouteille
4. Un dispositif de décharge de sécurité directement lié à l'espace de vapeur de la bouteille

AVERTISSEMENT

Une vanne de bouteille givrée indique un débordement possible de gaz. Fermez la vanne de GPL et appelez immédiatement votre revendeur de GPL.

1. NE PAS connecter cet appareil à une vanne de bouteille # 510 POL existante avec des filetages à gauche.
La vanne de type 1 peut être identifiée par les grands filetages externes sur la sortie de la vanne.
2. NE PAS connecter à une bouteille de propane dépassant cette capacité.
3. NE PAS connecter à une bouteille qui utilise un autre type de dispositif de connexion de vanne.

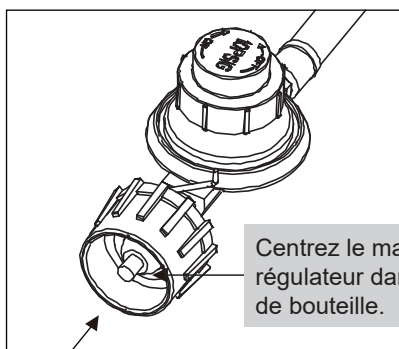
RACCORDEMENT DU RÉGULATEUR AU BOUTEILLE DE GAZ

⚠ ATTENTION ⚠

Utilisez uniquement le régulateur de pression de gaz fourni avec cet appareil de cuisson à l'extérieur. Ce régulateur est réglé pour une pression de sortie de 11 pouces de colonne d'eau.

Votre régulateur est équipé d'un système de connexion rapide QCC de Type 1. Il ne permet pas au gaz de s'écouler tant qu'un joint positif n'a pas été réalisé. Il est doté d'un élément thermique qui coupe le débit de gaz si la température atteint 115 °C (240 °F). Il dispose également d'un dispositif limiteur de débit lequel limite le débit de gaz à 0,28 mètre cube par heure (10 pieds cubes par heure).

1. Assurez-vous que le bouteille de gaz est éteint en tournant le volant dans le sens horaire jusqu'à ce qu'il s'arrête.
2. Gardez une distance d'au moins 61 cm (24 pouces) entre l'appareil et la bouteille.
3. Assurez-vous que la vanne du régulateur est en position OFF.
4. Retirez le capuchon de sécurité de la vanne de bouteille.
5. Centrez le mamelon du régulateur dans la vanne de bouteille.
6. Tournez l'écrou noir dans le sens horaire jusqu'à ce qu'il s'arrête. Serrez à la main uniquement. N'utilisez pas de clé.



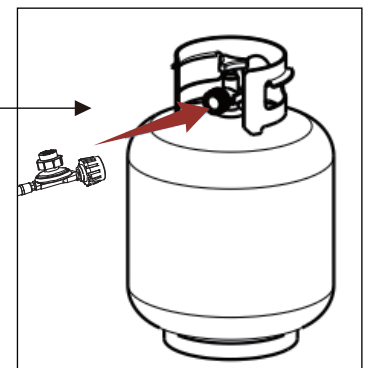
Centrez le mamelon du régulateur dans la vanne de bouteille.

Connecteur QCC 1 Type 1

Le régulateur doit entrer dans la vanne de bouteille en ligne droite.

⚠ AVERTISSEMENT

Gardez toujours la bouteille de gaz en position verticale à tout moment.



⚠ AVERTISSEMENT ⚠

1. Ne connectez pas cet appareil à des sources de propane non réglementées.
2. Avant chaque utilisation, vérifiez le tuyau de gaz pour une abrasion excessive, une usure ou des coupures. Remplacez un tuyau endommagé par celui spécifié dans la liste des pièces avant d'utiliser l'appareil.
3. Effectuez toujours l'essai de fuite ci-dessous avant d'utiliser votre appareil pour la première fois, lorsque la bouteille a été changée, lorsque des composants d'alimentation en gaz ont été changés, lorsque le dispositif de limitation de débit du régulateur a été activé, ou après une longue période de non-utilisation.
4. N'essayez pas de connecter cet appareil au système de GPL d'un camping-car ou d'une remorque.

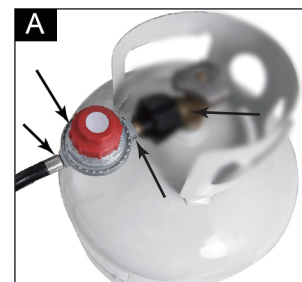
TEST D'ÉTANCHÉITÉ DU BOUTEILLE DE GAZ

1. Le test d'étanchéité doit être répété chaque fois que le bouteille de gaz est remplacé ou rempli.
2. Ne fumez pas et n'ayez rien à proximité qui puisse s'allumer facilement, comme des briquets ou des allumettes.
3. N'utilisez pas de flamme nue pour vérifier s'il y a des fuites de gaz.
4. L'appareil doit être vérifié à l'extérieur dans un endroit bien ventilé, loin des flammes nues ou des étincelles.
5. RETIREZ les casseroles ou autres ustensiles de cuisine du brûleur avant de commencer le test.

TEST D'ÉTANCHÉITÉ DU BOUTEILLE DE GAZ:

Utilisez un pinceau propre et une solution 50/50 d'eau et de savon doux. N'utilisez pas de produits de nettoyage ménagers. Cela peut endommager les composants du de gaz.

1. Fermez tous, le régulateur et les robinets de la bouteille.
2. Assurez-vous que le régulateur est correctement connecté au bouteille de gaz.
3. Ouvrez complètement la vanne du bouteille de gaz en tournant le bouton dans le sens antihoraire. Si vous entendez un bruit sec, éteignez immédiatement le gaz. La connexion a une fuite considérable. Veuillez corriger cette situation avant de continuer.
4. Brossez la solution savonneuse sur toutes les coutures métalliques et sur toute la zone de la valve, comme indiqué sur les chiffres ci-dessous.
5. Tournez lentement le robinet de la bouteille de GPL dans le sens inverse des aiguilles d'une montre jusqu'à la position ouverte.
6. Ouvrez complètement la vanne du réservoir en tournant le bouton dans le sens antihoraire. Si vous entendez un bruit sec, éteignez immédiatement le gaz. La connexion a une fuite considérable.
7. Veuillez corriger cette situation avant de continuer, communiquez avec votre détaillant. Ne pas faire fonctionner l'appareil s'il y a une fuite.
8. Examinez toujours le tuyau pour voir s'il n'est pas endommagé. Si vous constatez un dommage, n'essayez pas de réparer le tuyau. Remplacer le tuyau est la seule option sécurisée.
9. Pour toute assistance concernant un dysfonctionnement lié au bouteille de gaz, au régulateur ou au tuyau, contactez le service clientèle.
10. Après avoir testé les fuites, fermez toujours le robinet du bouteille de gaz, en tournant le bouton dans le dans le sens des aiguilles d'une montre.



EN AUCUN CAS, LA VANNE NE DOIT RESTER EN POSITION OUVERTE PENDANT PLUS DE 12 SECONDES.

⚠ AVERTISSEMENT ⚠

1. N'UTILISEZ PAS L'APPAREIL s'il y a des fuites. Assurez-vous que la vanne de bouteille de GPL est fermée. Si la bouteille de GPL fuit toujours, contactez votre revendeur de GPL ou appelez le 911.
2. N'utilisez pas d'allumettes, de flammes nues ou de fumée pendant l'essai de fuite.
3. N'allumez aucun brûleur pendant l'essai de fuite.
4. Les pièces de rechange, y compris un ensemble de tuyau de remplacement, doivent être conformes aux spécifications de la liste des pièces.

Le non-respect de ces instructions peut entraîner des blessures graves.

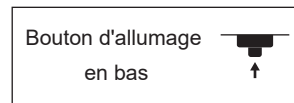
Chaque brûleur de l'appareil est testé et étalonné en usine avant expédition; cependant, des variations de l'approvisionnement local en gaz peuvent rendre nécessaire le réglage des brûleurs. Veuillez vérifier visuellement les flammes des brûleurs. Inspectez toujours visuellement votre appareil avant de l'allumer. Remplacez tout tuyau effiloché ou fissuré. Recherchez tout ce qui pourrait bloquer la ventilation et éliminez un tel blocage ou déplacez l'appareil. Après l'allumage, vérifiez le modèle de flamme pour vous assurer d'avoir une répartition uniforme de la chaleur pour chaque brûleur. Si les brûleurs ne s'allument pas ou si le motif de flamme est irrégulier, consultez la section de Dépannage.

⚠ AVERTISSEMENT: AVANT D'ALLUMER ⚠

1. Lisez les instructions avant d'allumer.
2. Si l'allumage ne se produit pas dans les 5 secondes, fermez la valve du régulateur, attendez 5 minutes et répétez la procédure d'allumage.
3. Inspectez le tuyau d'alimentation en gaz avant de mettre le gaz sur «ON». S'il y a des signes de coupures, d'usure ou d'abrasion, il doit être remplacé avant utilisation. N'utilisez pas l'appareil si une odeur de gaz est présente. Utilisez uniquement le régulateur de pression et le tuyau fournis avec l'appareil.
4. N'utilisez jamais de régulateurs et de tuyaux autres que ceux fournis avec l'appareil. Si un remplacement est nécessaire, contactez le fabricant pour obtenir le remplacement approprié. Le remplacement doit être conforme aux spécifications du Manuel de l'utilisateur. **NE LAISSEZ PAS L'APPAREIL SANS SURVEILLANCE PENDANT LA CUISSON.**

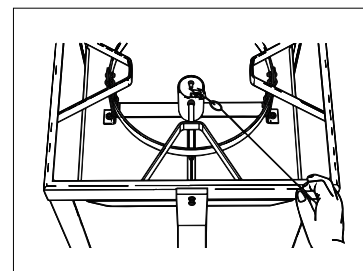
ALLUMER LE BRÛLEUR AVEC L'ALLUMAGE ÉLECTRONIQUE

1. Assurez-vous que la vanne du régulateur est complètement fermée.
 2. Ouvrez la vanne de la bouteille de gaz en tournant dans le sens inverse des aiguilles d'une montre.
 3. Ouvrez la vanne du régulateur en tournant dans le sens des aiguilles d'une montre.
 4. Appuyez sur le bouton de l'allumeur et maintenez-le enfoncé pour allumer le brûleur.
 5. Si le brûleur ne s'allume pas, éteignez la vanne du régulateur, attendez 5 minutes avant d'essayer de rallumer le brûleur.
 6. Si le brûleur s'allume, tournez le régulateur sur le réglage de chaleur souhaité.
- * Si le brûleur ne s'allument toujours pas, vérifiez l'alimentation en gaz.



ALLUMER MANUELLEMENT LE BRÛLEUR AVEC ALLUMETTE

1. Assurez-vous que la vanne du régulateur est complètement fermée.
 2. Ouvrez la vanne de la bouteille de gaz en tournant dans le sens inverse des aiguilles d'une montre.
 3. Ouvrez la vanne du régulateur en tournant dans le sens des aiguilles d'une montre.
 4. Placez une allumette dans le porte-allumette. Le porte-allumettes est fixé au support du brûleur.
 5. Utilisez le support pour faire glisser l'allumette allumée dans le brûleur. Le brûleur doit s'allumer immédiatement. Ne placez pas la tête ou les bras au-dessus du brûleur.
 6. Si le brûleur ne s'allume pas, éteignez la vanne du régulateur, attendez 5 minutes avant d'essayer de rallumer le brûleur.
 7. Si le brûleur s'allume, tournez le régulateur sur le réglage de chaleur souhaité.
- * Si le brûleur ne s'allument toujours pas, vérifiez l'alimentation en gaz.



ÉTEINDRE VOTRE APPAREIL

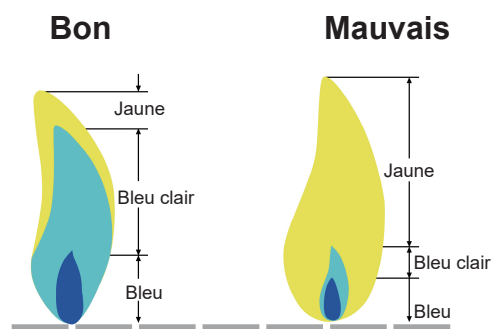
1. Fermez l'alimentation en gaz du bouteille de gaz en tournant la vanne dans le sens horaire.
2. Tournez la vanne du régulateur en position OFF.

⚠ AVERTISSEMENT ⚠

N'utilisez pas d'alcool ou d'essence pour allumer ou rallumer!

FLAMMES DU BRÛLEUR

Allumez le brûleur et réglez la flamme à l'aide de la vanne de contrôle du régulateur jusqu'à ce que la flamme souhaitée soit atteinte. Vérifiez toujours la flamme avant chaque utilisation. Une flamme bleue avec peu ou pas de flamme jaune fournit la meilleure chaleur.



Votre nouveau appareil a été conçu et fabriqué selon des normes de qualité élevées. Il vous procurera de nombreuses années de plaisir à cuisiner, mais il nécessite un minimum d'entretien.

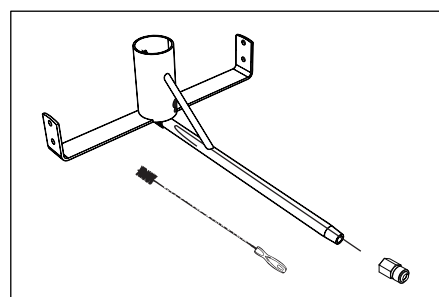
REMARQUE: Nettoyez l'ensemble de l'appareil chaque année et resserrez régulièrement tout le matériel (1 à 2 fois par an ou plus selon l'utilisation). Le nettoyage doit être effectué à l'aide de détergents qui ne nuisent pas au patio, à la pelouse ou à l'environnement.

⚠ AVERTISSEMENT ⚠

1. Ne nettoyez aucune pièce de votre appareil dans un four autonettoyant.
2. N'utilisez pas de nettoyeurs pour fours, de nettoyeurs abrasifs pour la cuisine, de nettoyeurs contenant des agrumes ou d'essence minérale.
3. Laissez toujours l'appareil refroidir avant de le nettoyer.

ÉTAPES DE NETTOYAGE DU BRÛLEUR

1. Retirez le tuyau du régulateur du brûleur.
2. Regardez à l'intérieur du tube du brûleur pour trouver des nids d'insectes, des toiles ou de la boue.
3. Pour éliminer les obstacles ci-dessus, utilisez une brosse venturi flexible ou pliez un petit crochet à l'une des extrémités d'un long fil flexible comme celui qui est montré dans l'image en médaillon.
4. Inspectez et nettoyez le brûleur si nécessaire.
5. Remontez le connecteur en laiton au brûleur.



CASSEROLES EN ALUMINIUM POLONAIS

1. Il est recommandé d'assaisonner la casserole avant de l'utiliser. Versez une petite quantité d'huile végétale à l'intérieur et étalez-la avec un essuie-tout jusqu'à ce que le fond et les côtés soient entièrement recouverts. Laissez reposer pendant 10 minutes. Lavez l'intérieur de la casserole, elle sera prête à l'emploi. **NE PAS** appliquer à la flamme pendant ce processus.
2. Après la cuisson, laissez les casseroles et les couvercles refroidir progressivement. Ne versez pas d'eau froide dans une casserole chaude. Le fond de la casserole pourrait se déformer. Lavez toujours les casseroles à fond dans un détergent chaud et savonneux après chaque utilisation afin d'éliminer toute trace de nourriture, de sel ou de particules de graisse qui pourraient brûler et provoquer des taches lorsque la casserole est réchauffée.
3. L'assaisonnement des casseroles facilitera le nettoyage. Des tampons à récurer et des nettoyeurs pour aluminium peuvent être utilisés pour nettoyer l'intérieur des casseroles, mais ils racleront l'extérieur.
4. Les casseroles en aluminium poli se ternissent et se décolorent en cas d'utilisation normale.
5. L'ébullition avec de grandes quantités de sel est très corrosive et peut provoquer des piqûres dans la casserole et le panier. Pour réduire le risque de ce genre de situation, ne laissez pas l'eau salée dans la casserole pendant une longue période après le refroidissement. Le panier et la casserole doivent être soigneusement nettoyés après chaque utilisation.

REMARQUE: NE PAS stocker l'huile de cuisson dans les casseroles. Le sel et les assaisonnements se déposeront et peuvent entraîner la formation de fosses au fond des casseroles.

⚠ AVERTISSEMENT ⚠

1. Un emplacement approprié du brûleur et de la vanne est essentiel pour assurer la sécurité.
2. N'utilisez pas de solvants puissants ou abrasifs, ni de tampons abrasifs, car ils pourraient attaquer les surfaces et laisser des traces de rayures.

STOCKAGE

1. Nettoyez votre appareil avant de le ranger. Stockez votre appareil dans un emplacement sec.
2. Le stockage d'un appareil à l'intérieur n'est permis qu'après que le bouteille de gaz est débranché et retirée de l'appareil.
3. Une housse est hautement recommandée pour protéger votre appareil. Faites votre choix parmi un large choix de housses de appareil proposés par les fabricants.
4. Effectuez un essai de fuite avant d'utiliser l'appareil après qu'il a été entreposé pendant un certain temps.

Q: Le brûleur n'allume pas.

R: Des solutions différentes pour des causes différentes.

1. Manque de propane: Faire remplir la bouteille.
2. Problème avec le bouton d'allumage: Tenter d'allumer manuellement le brûleur avec une allumette. Si le brûleur s'allume, le bouton d'allumage fait défaut.
 - 2.1. Le bouton d'allumage ne fonctionne pas: Remplacer la pile.
 - 2.2. Vérifiez l'orientation de la pile: Installez la batterie (Vérifiez que les connecteurs « + » et « - » sont orientés correctement, avec l'extrémité « + » du couvercle.)

Q: La flamme de mon brûleur semble très faible.

R: Si le tuyau est équipé d'un raccord de type 1 (bouton noir/vert), il est muni d'un dispositif de limitation du débit. Ce dispositif est destiné à limiter le débit de gaz en cas de fuite entre le régulateur et l'appareil. Pour obtenir une étanchéité au gaz positive, qui permettra un débit de gaz maximal, la commande du régulateur doit être tournée en position complètement fermée avant que le robinet de la bouteille ne soit ouvert. Un bon conseil à retenir: "Le bouteille de gaz est d'abord en position ON, puis en position OFF".

Le problème peut être résolu de deux façons:

- A.
1. Mettez la commande du régulateur en position OFF. Fermez complètement la vanne du bouteille de gaz en la tournant dans le sens des aiguilles d'une montre jusqu'à ce qu'elle s'arrête.
 2. Vérifiez que le raccord de type 1 (bouton noir) est complètement serré sur la vanne du bouteille de gaz.
 3. Attendez 5 secondes pour que la pression s'équilibre et que le limiteur de débit se réinitialise.
 4. Ouvrez la vanne du bouteille de gaz (dans le sens inverse des aiguilles d'une montre).
 5. Mettez la commande du régulateur sur la position ON.
 6. Rallumer la cuisinière en suivant toutes les instructions d'éclairage contenues dans le présent manuel. Vérifiez que la flamme est correcte.

OU

- B.
1. Réglez la commande du régulateur sur la position OFF. Fermez complètement la vanne du bouteille de gaz en tournant dans le sens des aiguilles d'une montre jusqu'à la butée.
 2. Retirez le raccord de type 1 (bouton noir/vert) de la vanne du bouteille de gaz. Le dispositif de limitation du débit va maintenant se réinitialiser.
 3. Raccordez à nouveau le raccord de type 1 (bouton noir/vert) à la vanne du bouteille de gaz. Serrez complètement.
 4. Ouvrez la vanne du bouteille de gaz (dans le sens inverse des aiguilles d'une montre).
 5. Mettez la commande du régulateur en position ON.
 6. Rallumez le brûleur en suivant toutes les instructions d'allumage contenues dans le présent manuel. Vérifiez que la flamme est correcte.

Q: Quelle est la durée d'utilisation de mon gaz?

R: En moyenne, un bouteille de gaz plein vous donnera 4 à 5 heures de cuisson normale.

Q: La flamme s'est éteinte.

R: Des solutions différentes pour des causes différentes.

1. Niveau de gaz bas dans le bouteille de gaz, ou le bouteille est vide: Vérifiez le niveau de gaz dans le bouteille de gaz.
2. Trop de vent: Vérifiez la direction du vent et placez le four à l'écart des zones venteuses.
3. Brûleur bloqué: Nettoyez et vérifiez si le brûleur contient des araignées, des nids d'insectes et des débris.
4. Eau dans le brûleur: Vérifiez si le brûleur est humide, assurez-vous que le brûleur est sec.

Si votre problème n'est pas résolu à l'aide des informations de dépannage ci-dessus, veuillez contacter votre revendeur local de gaz.

Merci d'avoir acheté Kit d'ébullition des fruits de mer de Creole Feast®.

Creole Feast® garantit que ses produits sont exempts de défauts de matériel et de fabrication pendant **un an** à partir de la date d'achat d'origine s'ils sont assemblés de la manière appropriée, utilisés normalement et entretenus de la façon recommandée. La garantie ne couvre pas la finition de peinture, car elle peut brûler au cours d'un usage normal. **La rouille n'est pas considérée comme un défaut de fabrication ou de matériaux.**

Durant la période de garantie déclarée, Creole Feast®, à sa discrétion, remplacera gratuitement tout composant défectueux, le propriétaire étant responsable des frais de transport. Creole Feast® se réserve le droit d'exiger que les pièces défectueuses soient retournées, en port et/ou en fret prépayé par le consommateur pour examen et examen. En cas de problèmes de disponibilité des pièces, Creole Feast® se réserve le droit de remplacer des pièces similaires qui sont également fonctionnels. À l'expiration de la garantie, toute responsabilité et obligation en découlant cessera.

Remarque: Un reçu de vente daté avec le numéro de modèle et le numéro de série sera nécessaire pour le service de garantie.

Cette garantie limitée ne vous remboursera pas le coût des inconvénients, de la nourriture, des blessures corporelles ou des dommages matériels. Toute couverture de garantie est nulle si cet appareil est utilisé à des fins commerciales ou de location. Cette garantie limitée s'applique **UNIQUEMENT** au fonctionnement du produit et ne couvre pas les rayures, les bosses, la corrosion ou la décoloration causées par la chaleur, les nettoyeurs abrasifs et chimiques, ou par les outils utilisés dans l'assemblage ou l'installation de l'appareil, l'oxydation du surfaces ou décoloration des surfaces en acier inoxydable.

CE QUI N'EST PAS COUVERT PAR LA GARANTIE

Toutes défaillances ou difficultés au niveau du fonctionnement causées par un accident, l'abus, une mauvaise utilisation, une modification, une mauvaise application, le vandalisme, une mauvaise installation, l'entretien/le service incorrect, ou un manquement à fournir l'entretien régulier, y compris sans limitations les dommages causés par les insectes dans les brûleurs, tel qu'indiqué dans le guide de l'utilisateur.

La détérioration ou les dommages causés par les intempéries telles que la grêle, les ouragans, les tremblements de terre ou les tornades, la décoloration suite à l'exposition directe ou indirecte aux produits chimiques.

Coûts d'expédition ou de transport.

Coûts des appels de service.

Coûts d'enlèvement ou de réinstallation.

La collecte et la livraison de votre produit.

Coûts de main d'œuvre pour l'installation et les réparations.

Responsabilité pour les dommages indirects ou consécutifs.

Cette garantie limitée tient lieu de garantie unique offerte par Creole Feast® et remplace toute autre garantie expresse ou implicite, y compris toute garantie implicite d'aptitude à la commercialisation ou d'adaptation à un usage particulier. Ni Creole Feast® ni le détaillant qui vend ce produit ne sont autorisés à fournir des garanties ou à promettre quoi que ce soit qui dépasse ou qui contredit ce qui est énoncé ci-dessus.

La responsabilité maximale de Creole Feast®, dans tous les cas, ne peut dépasser le prix d'achat de l'article payé par le consommateur ou l'acheteur d'origine. Certains États et certaines provinces ne permettent pas l'exclusion ni la limitation de dommages directs ou indirects. Par conséquent, les exclusions ou limitations indiquées ci-dessus peuvent ne pas vous être applicables.

Ne retournez aucune pièces sans avoir préalablement obtenu l'autorisation de retour de notre service clientèle.

N'hésitez pas à contacter notre service de clientèle si vous avez des questions concernant l'assemblage, la garantie ou les accessoires. Nous serons heureux de vous proposer les pièces de rechange dont vous avez besoin pendant la période de garantie.



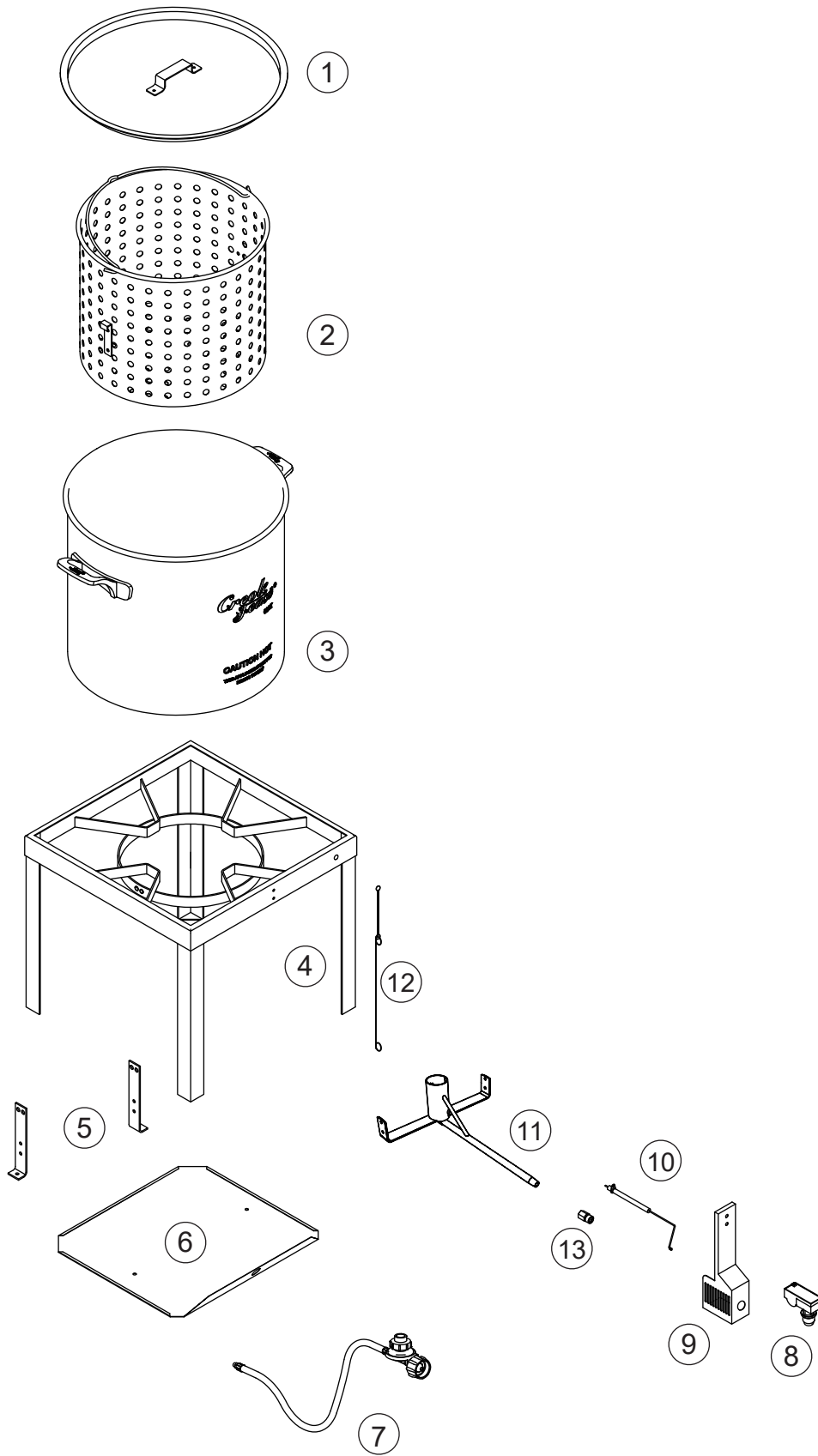
1-800-618-6798




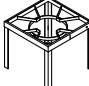

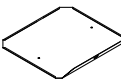




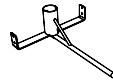







service@creolefeast.com

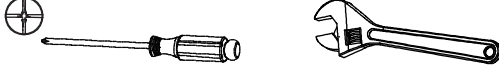


Du lundi au vendredi, de 8 h 30 à 17 h 00, HNE



No.	QYT / CANT. / QTÉ	Description / Descripción / Description	Image / Imagen / Image
1	1	Lid Tapa Couvercle	
2	1	Basket Cesta Panier	
3	1	Pot Olla Marmite	
4	1	Boiler stand Soporte de la olla Support de chaudière	
5	2	Burner bracket Ménsula del quemador Support de brûleur	
6	1	Heat shield Escudo térmico Bouclier thermique	
7	1	Regulator assembly Conjunto del regulador Ensemble régulateur	
8	1	Ignitor Mecanismo de encendido Allumeur	
9	1	Ignition panel Panel de encendido Panneau d'allumage	
10	1	Electrode Electrodo Électrode	
11	1	Burner assembly Conjunto del quemador Ensemble de brûleur	
12	1	Match holder Soporte para fósforos Support d'allumette	
13	1	Regulator connector Conector del regulador Connecteur du régulateur	

Key / Clave / Réf.	Description / Descripción / Description	QTY / CANT. / QTÉ	Image / Imagen / Image
A	M6	10	
B	Nut Tuerca Écrou	12	
D	M6	2	

TOOLS REQUIRED / HERRAMIENTAS REQUERIDAS / OUTILS REQUIS		
Description / Descripción / Description		Image / Imagen / Image
Phillips screwdriver Destornillador phillips Tournevis phillips	Wrench Llave Clé	

Before beginning assembly, make sure all parts are present. If any parts are missing or damaged, do not attempt to assemble the products. Contact customer service for replacement parts via telephone or email.



- Tools needed (not included): Phillips screwdriver and wrench
- Approximate assembly time: 15 minutes
- Note: 1. The right and left sides of the appliance are designed as if you are facing the front of the appliance.
2. Model shown for illustration purpose only, specific please in kind prevail.

Antes de comenzar el montaje, asegúrese de que todas las piezas estén presentes. Si falta alguna pieza o está dañada, no intente ensamblar los productos. Póngase en contacto con el servicio de atención al cliente para obtener piezas de repuesto por teléfono o correo electrónico.

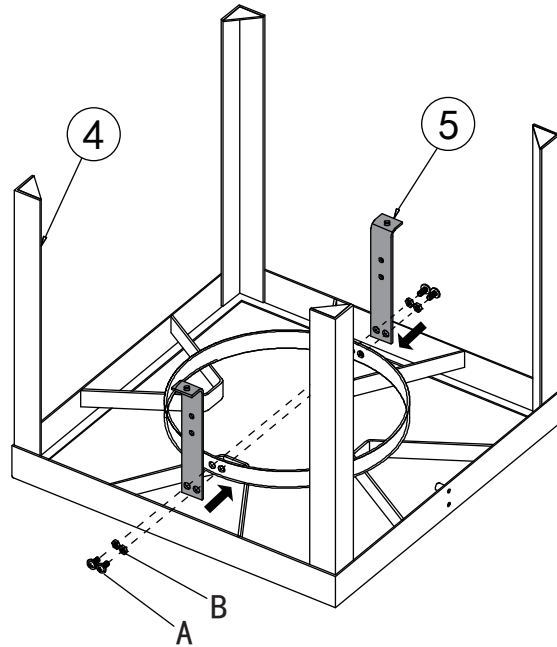
- Herramienta necesaria (no incluido): Destornillador phillips y llave
- Tiempo aproximado de ensamblaje: 15 minutos
- Nota: 1. Los lados derecho e izquierdo del aparato están diseñados como si estuvieras frente a la parte delantera de la aparato.
2. El modelo que se muestra es sólo para fines ilustrativos, prevalecen los específicos en especie.



Avant de commencer l'assemblage, assurez-vous que toutes les pièces sont présentes. Si des pièces sont manquantes ou endommagées, n'essayez pas d'assembler les produits. Contactez le service de clientèle pour les pièces de rechange par téléphone ou par e-mail.

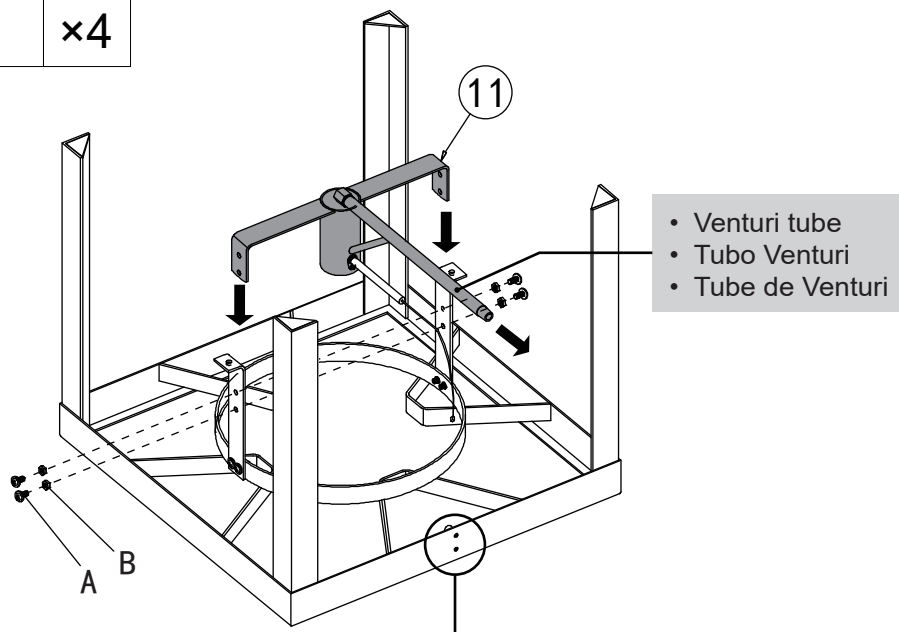
- Outils nécessaires (non inclus): Tournevis phillips et clé
- Temps nécessaire pour l'assemblage: 15 minutes
- Remarque: 1. Les côtés droit et gauche de l'appareil sont conçus comme si vous faisiez face à l'avant de l'appareil.
2. Le modèle est présenté à des fins d'illustration uniquement, spécifiques en nature prévalent.

1	A		×4
	B		×4



- Do not secure all the bolts until step 4.
- No apretar las tornillos hasta el paso 4.
- Ne pas fixez les boulons avant l'étape 4.

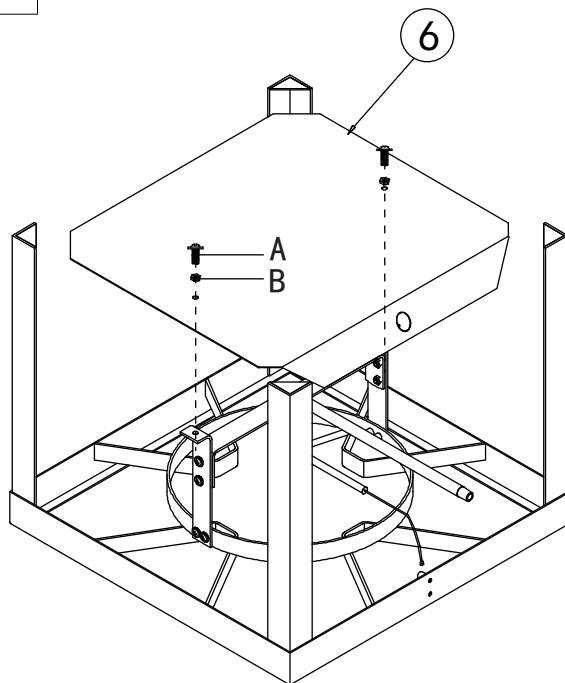



2	A		×4
	B		×4

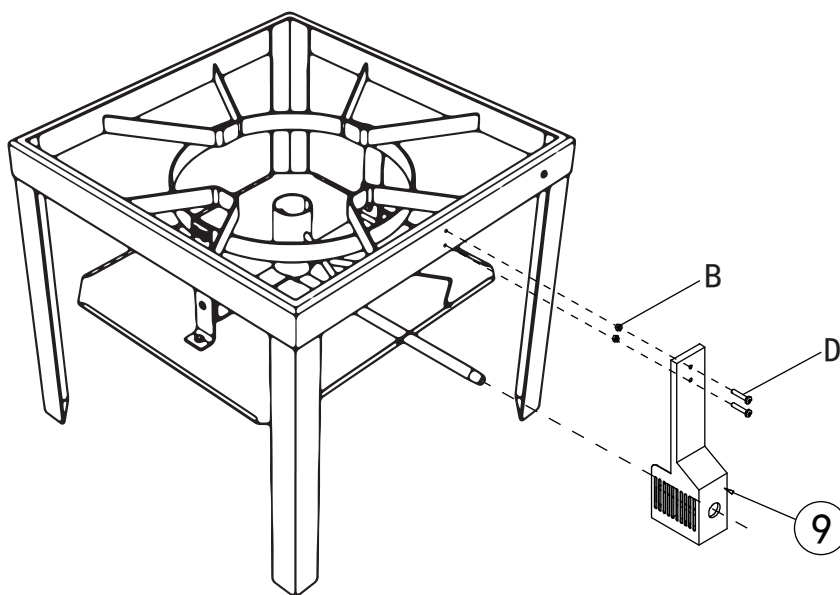


- Venturi tube must face the hole side.
- El tubo venturi salga del lado de la base con dos agujeros.
- Le tube de venturi doit être orienté vers le côté du trou.

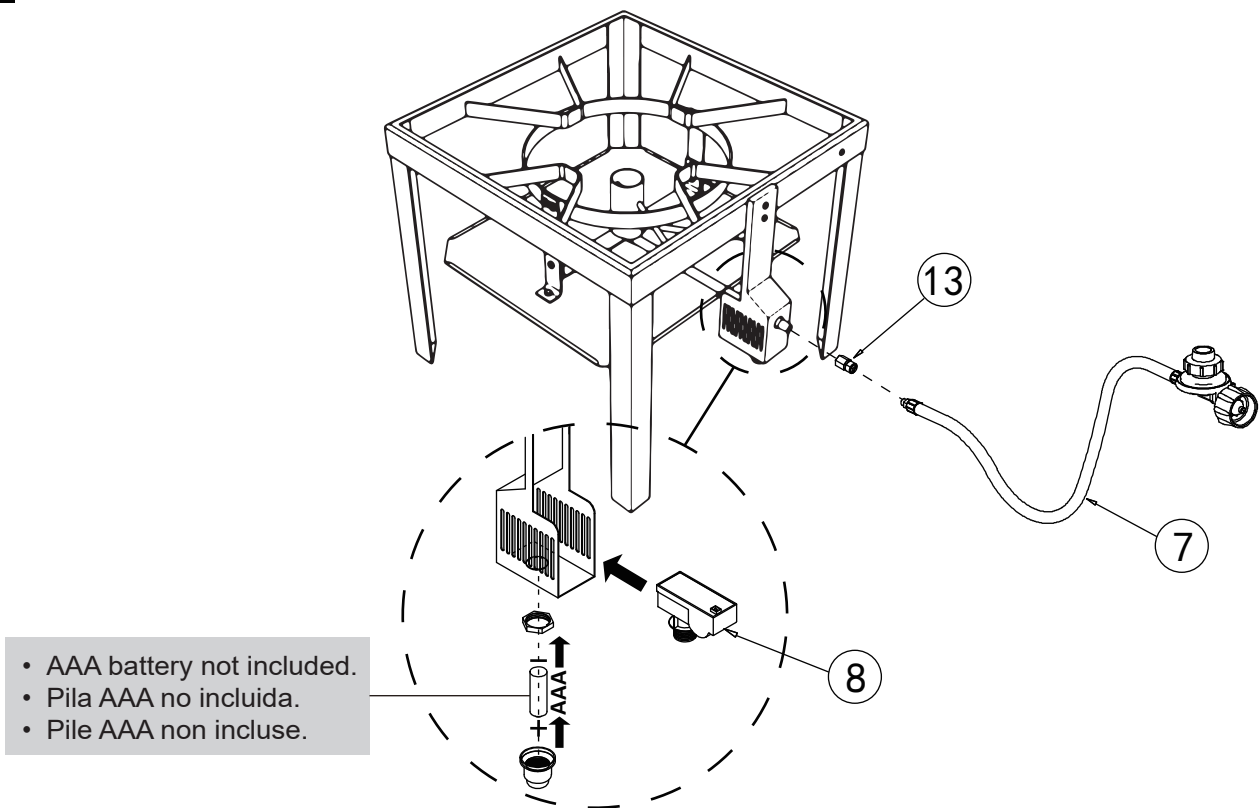
3	A		×2
	B		×2



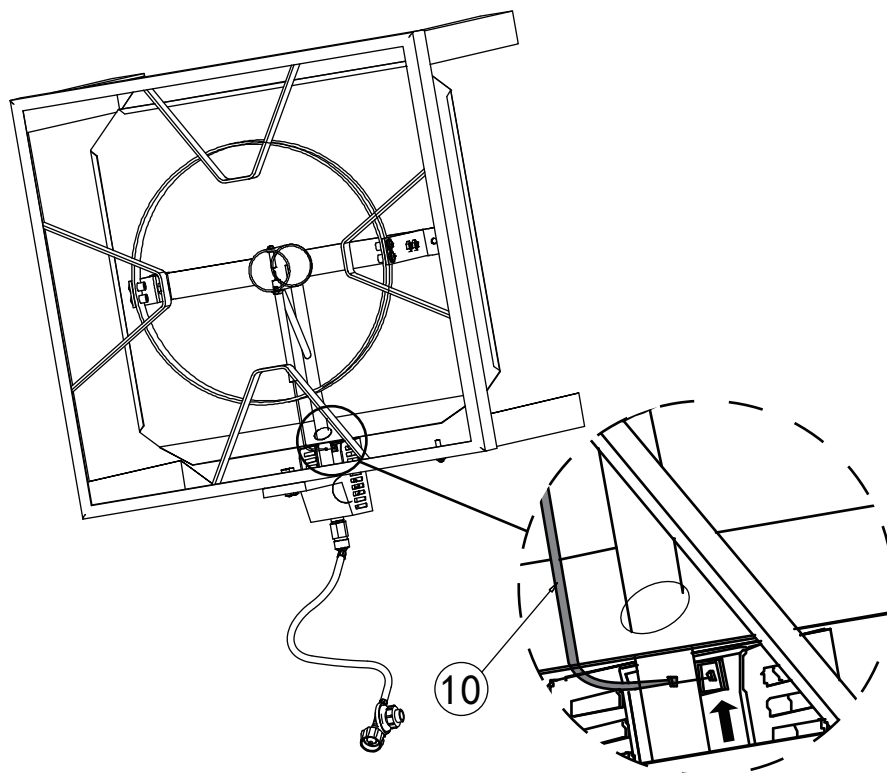
4	B		×2
	D		×2



5

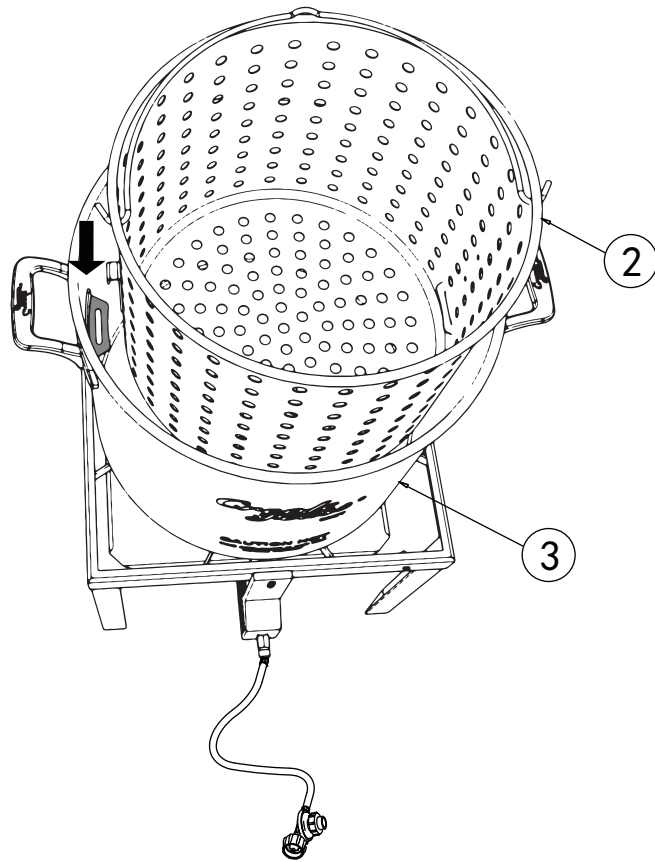
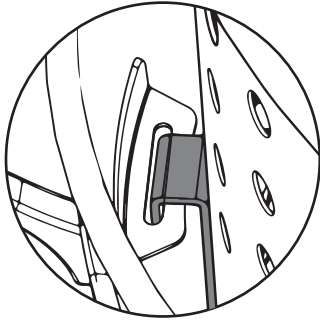


6



7

- Hook to drain
- Gancho para drenar
- Crochet pour drainer



**Thank You
For Choosing Us.**

**Any Problem!
We Can Help**

**Customer
Service**

1-800-618-6798

Monday to Friday (8:30 am - 5:00 pm EST)

service@creolefeast.com