

5' Spike Drag

OWNER'S MANUAL



WARNING:

Carefully read and understand all **ASSEMBLY AND OPERATION INSTRUCTIONS** before operating. Failure to follow the safety rules and other basic safety precautions may result in serious personal injury.

MODEL # FTF-05SDTC

Thank you very much for choosing this product! For future reference, please complete the owner's record below:

Model: FTF-05SDTC Purchase Date: _____

Save the receipt, the warranty, and these instructions. It is important that you read the entire manual to become familiar with this product before you begin using it.

This product is designed for certain applications only. The manufacturer cannot be responsible for issues arising from modification. We strongly recommend that this product not be modified and/or used for any application other than that for which it was designed. If you have any questions relative to a particular application, DO NOT use the product until you have first contacted us to determine if it can, or should, be performed on the product.

For technical questions, please call **1-218-943-6296**.

TECHNICAL SPECIFICATIONS

Item	Description
Coverage	5' wide area
Spikes	3.75" long
Tow chain with loop	Fits over 2" ball

IMPORTANT SAFETY INFORMATION



WARNING: Read and understand all instructions. Failure to follow all instructions listed below may result in serious injury.



CAUTION: Do not allow persons to operate or assemble this Spike Drag until they have read this manual and have developed a thorough understanding of how it works.



WARNING: The warnings, cautions, and instructions discussed in this instruction manual cannot cover all possible conditions or situations that could occur. It must be understood by the operator that common sense and caution are factors that cannot be built into this product, but must be supplied by the operator.

SAVE THESE INSTRUCTIONS

WORK AREA

- **Keep work area clean**, free of clutter, and well-lit. Cluttered and dark work areas can cause accidents.
- **Keep children and bystanders** away while operating the landscape rake. Distractions can cause you to lose control, so visitors should remain at a safe distance from the work area.
- **Be alert of your surroundings.** Using a spike drag in confined work areas may put you dangerously close to sharp tools and rotating parts.

PERSONAL SAFETY

- **Stay alert**, watch what you are doing, and use common sense when using a spike drag. Do not use while you are tired or under the influence of drugs, alcohol, or medication. A moment of inattention while operating a landscape rake may result in serious personal injury.
- **Dress properly.** Do not wear loose clothing, dangling objects, or jewelry. Keep your hair, clothing, and gloves away from moving parts. Loose clothes, jewelry, or long hair can be caught in moving parts.
- **Use safety apparel and equipment.** Use safety goggles or safety glasses with side shields that comply with current national standards or, when needed, a face shield. Use a dust mask if working in dusty work conditions. This applies to all persons in the work area. Also use non-skid, safety shoes, hard hat, heavy-duty work gloves, dust collection systems, and hearing protecting when appropriate.
- **Do not have passengers** on the tow vehicle when pulling the Spike Drag.

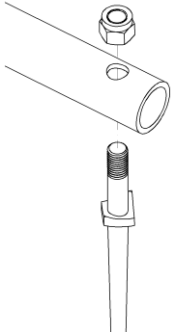
SPIKE DRAG USE AND CARE

- **Do not modify the Spike Drag in any way.** Unauthorized modification may impair the function and/or safety and could affect the life of the equipment. There are specific applications for which the Spike Drag was designed.
- **Always check for damaged or worn-out parts before using the Spike Drag.** Broken parts will affect the Spike Drag operation. Replace damaged or worn parts immediately.
- **Store idle Spike Drag.** When the Spike Drag is not in use, store it in a secure place with spikes down and out of the reach of children. Inspect it for good working condition prior to storage and before re-use.
- **Beware of hidden, underground objects.** Contact with hidden objects might cause a sudden stop of the towing vehicle and damage to the Spike Drag.
- **Do not operate the vehicle at speeds higher than 5 mph.**
- **Do not load or unload the tow vehicle** with the Spike Drag attached to the towing vehicle.

ASSEMBLY

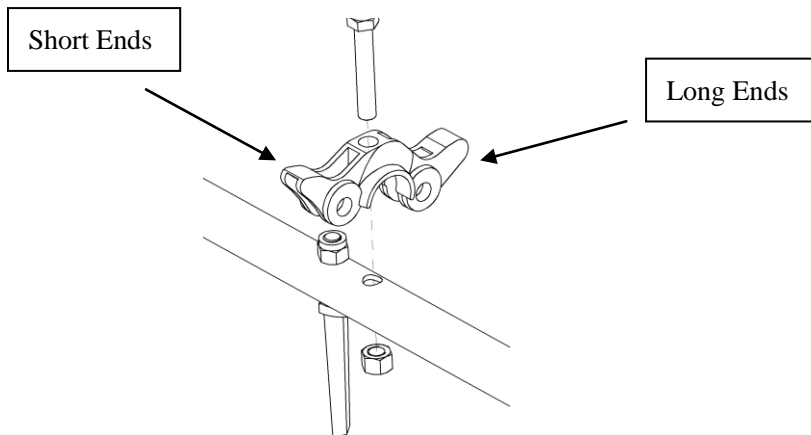
Step #1:

Using self-locking nuts (9) secure forty spikes (10) on the horizontal pipes (eight spikes (10) for each horizontal pipe).



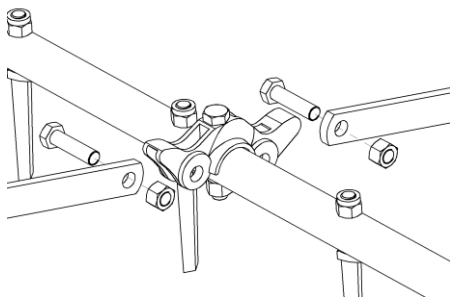
Step #2:

Use bolts (7) and self-locking nuts (9) to connect the eight connectors (6) to the first(1), second(2), third(3), and fourth(4) horizontal pipes, two connectors (6) are installed on each pipe, and the short ends of the connectors (6) should be facing forward towards the chain.



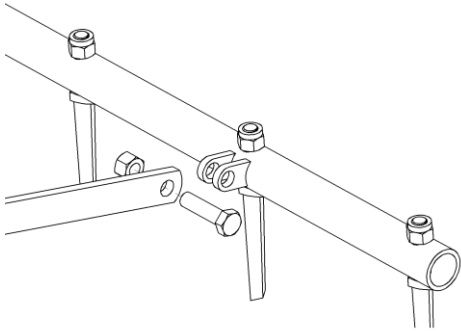
Step #3:

Connect the long connecting bars (12) and the connectors (6) with bolts (8) and self-locking nuts (9).



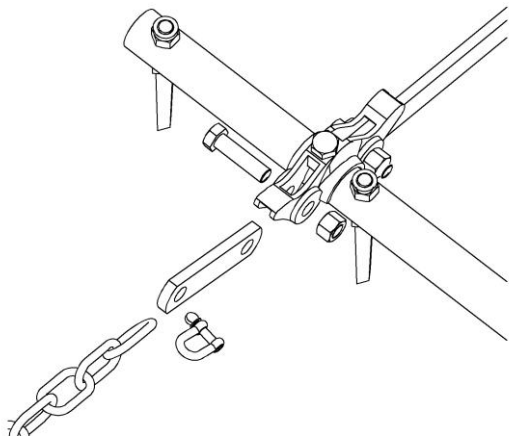
Step #4:

Connect the long connecting bars (12) with the fifth horizontal pipe with bolts (8) and self-locking nuts (9).



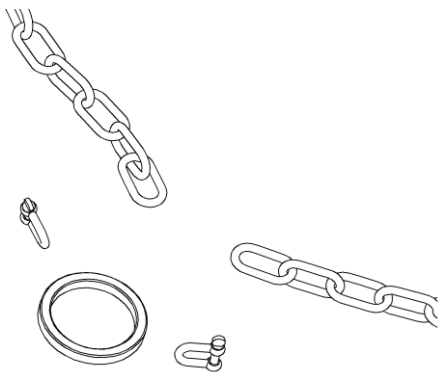
Step #5:

Connect the short connecting bars (11) with the first horizontal pipe(1) with bolts (8) and self-locking nuts (9), and connect the chain (14) with the other end of the short connecting bars (11) with a clevis (13).



Step #6:

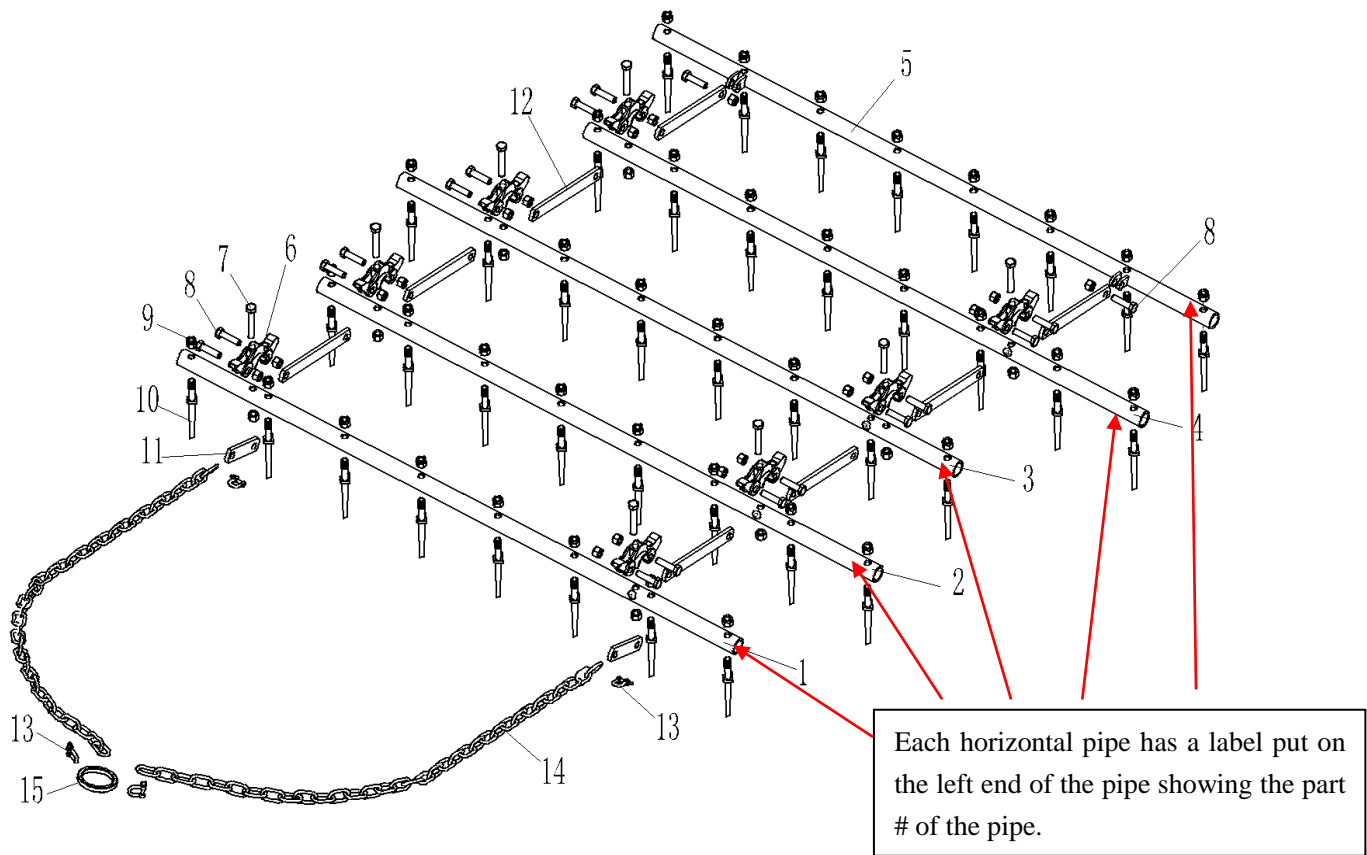
Connect the two chains (14) with the ring (15) and with the clevis (13).



Note: The marks of the five horizontal pipes are facing forward (behind the chain).

Note: Image of drag on the front cover can be used as a guide.

PARTS DIAGRAM



PARTS LIST:

Part #	Description	Qty.
1	Horizontal Pipe 1	1
2	Horizontal Pipe 2	1
3	Horizontal Pipe 3	1
4	Horizontal Pipe 4	1
5	Horizontal Pipe 5	1
6	Connector	8
7	Bolt M12*65	8
8	Bolt M12*40	18
9	Nut M12	66
10	Spikes	40
11	Short Connecting Bars	2
12	Long Connecting Bars	8
13	Clevis M10	4
14	Chain	2
15	Ring	1

For technical questions, please call 1-218-943-6296.

WARRANTY

One-year limited parts warranty.



TG

PO BOX 203

Miltona, MN 56354

Made in China