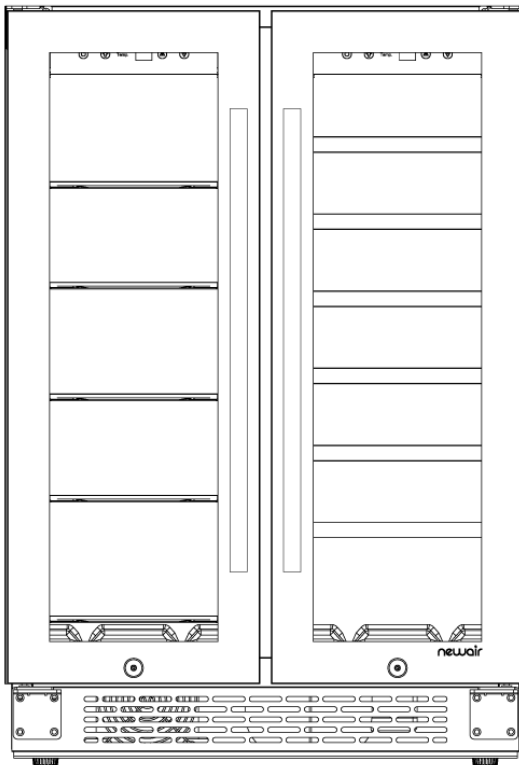


**newair**<sup>®</sup>

**SKU:** NWB080SS00

# 24" French Door Dual Zone Wine and Beverage Fridge



## **OWNER'S MANUAL**

*Read and save these instructions.*



**Intertek**  
Manual v1.1

---

# READ AND SAVE THESE INSTRUCTIONS.

---

## TABLE OF CONTENTS

Register Your Product Online.....	3
Safety Information & Warnings .....	4
Assembly Instructions .....	5
Operating Instructions .....	7
Cleaning & Maintenance.....	9
Troubleshooting.....	10
Limited Manufacturer's Warranty .....	11

---

## SPECIFICATIONS

<b>MODEL NO.</b>	NWB080SS00
<b>VOLTAGE:</b>	110-120V
<b>CURRENT:</b>	0.9 Amps
<b>REFRIGERANT:</b>	R600a
<b>FREQUENCY:</b>	60Hz
<b>PRODUCT DIMENSIONS:</b>	24.10"D (w/handles) x 23.50"W x 34.30"H
<b>POWER CONSUMPTION:</b>	100 Watts
<b>STORAGE CAPACITY:</b>	20 Bottles & 60 Cans (4.1 cubic feet)
<b>TEMPERATURE RANGE:</b>	36-72° F (beverage, left side) 40-72° F (wine, right side)

## REGISTER YOUR PRODUCT ONLINE

### Register Your NewAir Product Online Today!

Take advantage of all the benefits product registration has to offer:



#### Service and Support

Diagnose troubleshooting and service issues faster and more accurately



#### Recall Notifications

Stay up to date for safety, system updates and recall notifications



#### Special Promotions

Opt-in for NewAir promotions and offers

Registering your product information online is safe & secure and takes less than 2 minutes to complete:

[newair.com/register](http://newair.com/register)

Alternatively, we recommend you attach a copy of your sales receipt below and record the following information, located on the manufacturer's nameplate on the rear of the unit. You will need this information if it becomes necessary to contact the manufacturer for service inquiries.

**Date of Purchase:** \_\_\_\_\_

**Serial Number:** \_\_\_\_\_

**Model Number:** \_\_\_\_\_

## SAFETY INFORMATION & WARNINGS

### **Before Using Your Wine And Beverage Fridge for the First Time:**

Carefully read all instructions before using this fridge for the first time. Also make sure the fridge stays in an upright position during transportation. After removing the appliance from its packaging, make sure it is in good condition, and **let the fridge stand for 24 hours before connecting to power, to allow refrigerant to settle.** If there are any issues with the unit, please contact us immediately at [support@newair.com](mailto:support@newair.com).

- Place the unit on a level floor that will be strong enough to support it when it is at full capacity. To level the fridge, adjust the leveling feet located at the bottom of the unit.
- Do not use this fridge in applications for which it is not intended. Damage that occurs from improper use or from unauthorized repairs will void the warranty.
- For proper air circulation, please maintain a 2-inch minimum clearance in between the back of the fridge and the wall.
- Do not operate this fridge in excessively moist or humid environments.
- Keep the fridge away from direct sunlight.
- Keep the fridge away from hazardous materials or combustible/flammable substances.

### **★ CAUTION:**

- This wine and beverage fridge is designed for built-in or freestanding applications.
- **DANGER: RISK OF CHILD ENTRAPMENT:** An empty fridge can be dangerous to children. Remove any latches, lids, locks, and/or doors from unused or discarded appliances to prevent child entrapment and suffocation. Never allow children to operate, play with, or crawl inside this appliance.

## ASSEMBLY INSTRUCTIONS

### INITIAL SETUP

Remove exterior and interior packing materials and **let the fridge stand for 24 hours before connecting to power, to allow refrigerant to settle.** Once it is plugged in, let it run for at least 30 minutes before stocking. Do not change the temperature or adjust any settings during this time.

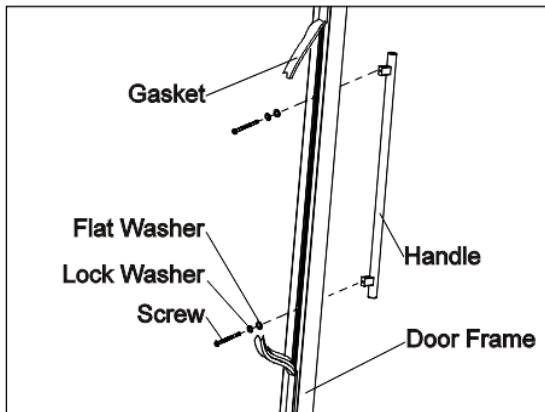
### INSTALLATION OF YOUR APPLIANCE

- Use two or more people to move and install the fridge. Failure to do so can result in back or other injury.
- Place your fridge on a floor that is strong enough to support it when it is fully loaded.
- Choose a well-ventilated area with temperatures above 60°F and below 90°F.
- This fridge is designed for built-in, recessed or freestanding installation.
- For built-in installation, leave a 1/4" (6.35mm) space on each side and at the top of the fridge to ensure proper air circulation to cool the compressor and condenser.
- For freestanding installation, leave the proper clearance around the fridge. Below are the recommended clearances:  
Side: 3/4" (19mm); Top: 4" (100mm); Back: 2" (50mm)
- Even for built-in installation, you must keep space on each side and at the top. If you plan to use the unit for a built-in application please leave at least 0.25 in of space on all sides.
- The fridge must be installed with all electrical, water and drain connections in accordance with state and local codes.
- Make certain that the pipes are not pinched, kinked or damaged during installation. Check for leaks after connection.

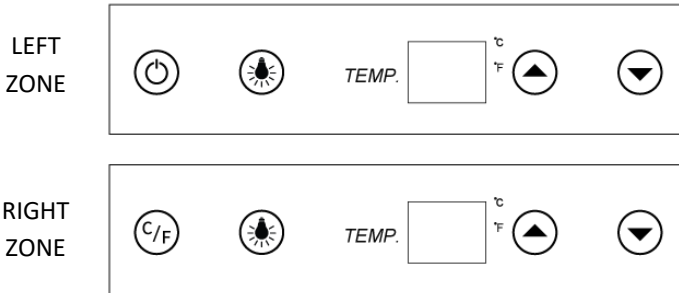
**NOTE:** Designed for indoor, home use only. The fridge should not be located next to sources of high heat or in direct sunlight. Do not store or install the fridge outdoors, in a garage, basement or in moist areas. Don't install in a location where the temperature will fall below 60°F. For best performance and to ensure proper ventilation, do not install the fridge behind a cabinet door or block the ventilation grille at the bottom of the front of the unit.

## HANDLE INSTALLATION

- Pull away the door gasket in the area where the handle is to be installed. The gasket is easily removed by hand, no tools are necessary. It does not need to be cut or removed completely.
- Insert the two (2) Phillips head screws with the lock washers and flat washers through the gasket side of the door frame until the screws pass through the door frame.
- Align the handle with the screws installed in the above step. Tighten the screws using a Phillips head screwdriver until the handles secure tightly against the door frame. (Do NOT over tighten) Replace the gasket.



## OPERATING INSTRUCTIONS



Press the power button to turn the fridge on and off, even while the unit is plugged in. The fridge will be on by default but pressing and holding the power button for 5 seconds will shut it off. This feature is handy if you want to shut the unit off but are unable to reach the plug. Press and hold for 5 seconds to turn the fridge back on.

Press the light buttons to switch between “auto” lighting and “always on” lighting. Auto lighting is the default setting, which keeps the lights off when the door is closed. Lights will only turn on when a door is opened. Press the button once to keep the lights on even when the doors are closed.

Press the up and down arrows to adjust the temperature for each zone in one degree increments. The left zone temperature can be set between 36° and 72°F, and the right zone temperature can be set between 40° and 72°F. To view the current set temperature, press the up or down arrow once.

Press the C/F button to change between Celsius and Fahrenheit for the temperature display.

**NOTE:** If the unit is unplugged, turned off, or power is lost, you must wait 3 to 5 minutes before restarting the unit. If you attempt to restart before this time delay, the unit will not start. When you use the unit for the first time or restart the unit after having been shut off for a long time, there could be a few degrees of variance between the temperature you select and the ambient temperature indicated on the LED readout. This is normal. Once the unit is running for a few hours, temperatures will stabilize.

---

## DOOR LOCK

Your unit comes with a lock and key. The keys are located inside the plastic bag that contains the owner's manual. Insert the key into the lock and turn it counter clockwise to unlock the door. To lock the door, do the reverse, and make sure the metal pin is engaged completely. Remove the key and store in a secure location—you don't want to get locked out of your own fridge!

---

## SHELVES

To avoid damaging the door gasket, make sure to have the door completely opened when pulling the shelves out of the unit.

- For easy access to your drinks, we recommend pulling the shelf out until it stops. Locks on the shelves keep them from falling out due to the weight of the drinks.
- If you want to remove a shelf entirely, make sure to remove all items first. Then, move the shelf to the position where the notch in the shelf is positioned under the lock (a small round peg on each side that prevents the shelves from falling out). Lift the shelf so that the notch passes over the lock, then remove the shelf. Do the reverse to reinsert the shelf.



---

## OTHER TIPS

- This unit comes equipped with a “door open” alarm, which will start beeping if one of the doors is left open for more than 3 minutes. If you hear this alarm, double check to make sure the doors are closed properly.
- To ensure maximum performance and efficiency, be sure to place your fridge in an area where there is proper air circulation.
- For proper internal air circulation, do not overfill your fridge.
- Do not place the unit in direct sunlight.
- Do not place heated beverages in your fridge.
- Do not store perishable food in your fridge. The unit’s interior temperature may not be low enough to prevent spoilage.
- Do not place heavy objects on top of the fridge.

## CLEANING & MAINTENANCE

- Shut off the power supply before cleaning the fridge.
- Remove all cans and storage shelves.
- Clean the interior with a warm water and neutral detergent solution. Do the same with the outside of the unit.
- Thoroughly dry all surfaces before plugging the unit in again.
- DO NOT use abrasive cleaners to clean the fridge. Use warm, soapy water to clean the door gasket.

## TROUBLESHOOTING

<b>Problem</b>	<b>Possible Causes</b>	<b>Solution</b>
<b>The fridge does not cool.</b>	The unit may be plugged in using a different voltage than required.	Check if using the wrong voltage.
	The circuit breaker may be tripped or there is a blown fuse.	Reset the circuit breaker or check for a broken fuse.
<b>The fridge does not get cold enough.</b>	The unit may be placed too close to a heat source.	Keep the unit away from direct sunlight or other heat sources.
	There is insufficient ventilation.	Place the unit in an area with proper ventilation and clearances.
	The door is not completely closed or the door seal is not working properly.	Close the door tightly. Do not open the door frequently or keep the door open for extended periods.
<b>The fridge seems to make too much noise.</b>	The unit is not leveled or positioned properly.	Adjust the feet and ensure the product is level on the floor.
	There is insufficient ventilation.	Allow sufficient clearance around the unit.
	The unit is too close to a wall or other surface.	Allow sufficient clearance around the unit.

<b>Problem</b>	<b>Possible Causes</b>	<b>Solution</b>
<b>Frost is building up in the unit.</b>	There is excess humidity or the interior temperature is too low.	Turn the unit off, unplug it and remove the frost manually by letting it thaw, or using a plastic/rubber pick. Reconnect once the ice has thawed.

## LIMITED MANUFACTURER'S WARRANTY

This appliance is covered by a limited manufacturer's warranty. For one year from the original date of purchase, the manufacturer will repair or replace any parts of this appliance that prove to be defective in materials and workmanship, provided the appliance has been used under normal operating conditions as intended by the manufacturer.

### Warranty Terms:

During the first year, any components of this appliance found to be defective due to materials or workmanship will be repaired or replaced, at the manufacturer's discretion, at no charge to the original purchaser. The purchaser will be responsible for any removal or transportation costs.

### Warranty Exclusions:

The warranty will not apply if damage is caused by any of the following:

- Power failure
- Damage in transit or when moving the appliance
- Improper power supply such as low voltage, defective household wiring or inadequate fuses
- Accident, alteration, misuse or abuse of the appliance such as using non-approved accessories, inadequate air circulation in the room or abnormal operating conditions (extreme temperatures)
- Use in commercial or industrial applications
- Fire, water damage, theft, war, riot, hostility or acts of God such as hurricanes, floods, etc.

- Use of force or damage caused by external influences
- Partially or completely dismantled appliances
- Excess wear and tear by the user

**Obtaining Service:**

When making a warranty claim, please have the original bill of purchase with purchase date available. Once confirmed that your appliance is eligible for warranty service, all repairs will be performed by a NewAir™ authorized repair facility. The purchaser will be responsible for any removal or transportation costs. Replacement parts and/or units will be new, re-manufactured or refurbished and is subject to the manufacturer's discretion. For technical support and warranty service, please email [support@newair.com](mailto:support@newair.com)