

newair[®]

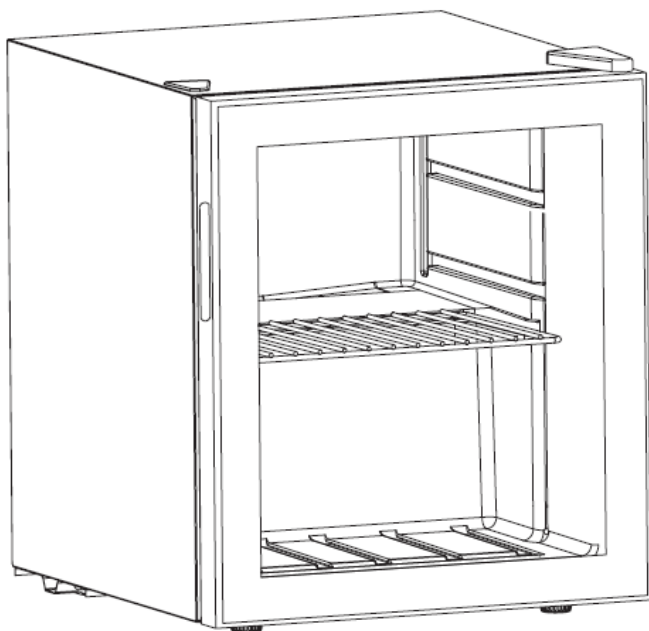
SKU: AB-600B

60 Can Mini Beverage Fridge

Mini Réfrigérateur à Boissons

de 60 Canettes

Mini Refrigerador para 60 Latas



OWNER'S MANUAL

Manuel de L'utilisateur

Manual del Propietario



Intertek

Manual v1.0

LANGUAGE INDEX

English Manual.....	3
Manuel en Français.....	20
Manual en Español.....	39

A Name You Can Trust

Trust should be earned and we will earn yours. Customer happiness is the focus of our business.

From the factory to the warehouse, from the sales floor to your home, the whole NewAir family promises to provide you with innovative products, exceptional service, and support when you need it the most.

Count on NewAir.

As a proud NewAir owner, welcome to our family. There are no robots here, real people shipped your product and real people are here to help you.

Contact Us:

For questions regarding your product, please contact us at:

Call: 1-855-963-9247
Email: support@newair.com
Online: www.newair.com

Connect with Us:



Facebook.com/newairusa



Instagram.com/newairusa



YouTube.com/newairusa



Twitter.com/newairusa

READ AND SAVE THESE INSTRUCTIONS.

TABLE OF CONTENTS

Specifications	4
Register Your Product Online.....	5
Safety Information & Warnings	6
Parts List.....	9
Assembly & Installation	10
Before First Use.....	10
Installation	11
Electrical Connection	12
Reversing The Door Swing	13
Operating Instructions	14
Setting The Temperature	14
Defrosting	14
Fridge Noises.....	15
Cleaning & Maintenance.....	16
Preparing For Long-Term Storage.....	16
Cleaning The Fridge.....	16
Moving The Fridge	16
Troubleshooting.....	17
Limited Manufacturer's Warranty	19

SPECIFICATIONS

MODEL NO.	AB-600B
VOLTAGE:	110-120V
CURRENT:	1.3A
FREQUENCY:	60Hz
POWER CONSUMPTION:	85W
CAN CAPACITY:	60
TEMPERATURE RANGE:	37°F - 65°F
REFRIGERANT:	R600a
NET WEIGHT	37.2 lbs.
UNIT DIMENSIONS	18.9"D x 16.93"W x 19.69"H (20.28" w/hinge)

REGISTER YOUR PRODUCT ONLINE

Register Your NewAir Product Online Today!

Take advantage of all the benefits product registration has to offer:



Service and Support

Diagnose troubleshooting and service issues faster and more accurately



Recall Notifications

Stay up to date for safety, system updates and recall notifications



Special Promotions

Opt-in for NewAir promotions and offers

Registering your product information online is safe & secure and takes less than 2 minutes to complete:

newair.com/register

Alternatively, we recommend you attach a copy of your sales receipt below and record the following information, located on the manufacturer's nameplate on the rear of the unit. You will need this information if it becomes necessary to contact the manufacturer for service inquiries.

Date of Purchase: _____

Serial Number: _____

Model Number: _____

SAFETY INFORMATION & WARNINGS

Your safety and the safety of others are very important to us.

To reduce the risk of fire, electrical shock, or injury when using your NewAir appliance, follow these basic precautions



This is the Safety Alert Symbol. This symbol alerts you to potential hazards that may result in serious injury. All safety messages will follow the Safety Alert Symbol and either the words "**DANGER**" or "**WARNING**."

DANGER: Danger means that failure to heed this safety statement may result in severe injury or death.

WARNING: Warning means that failure to heed this safety statement may result in extensive product damage, serious injury, or death.

CAUTION: Caution means that failure to heed this safety statement may result in minor or moderate injury, or property or equipment damage.

**DANGER - RISK OF FIRE OR EXPLOSION. FLAMMABLE REFRIGERANT USED.
TO BE REPAIRED ONLY BY TRAINED SERVICE PERSONNEL. DO NOT PUNCTURE
REFRIGERANT TUBING.**

All safety messages will alert you to what the potential hazard is, tell you how to reduce the chance of injury, and let you know what can happen if the instructions are not followed.



IMPORTANT SAFETY INSTRUCTIONS

Before this fridge is used, it must be properly positioned and installed as described in this manual. Please read this manual carefully. To reduce the risk of fire, electrical shock or injury when using the appliance, follow basic precautions, including the following:

- Always plug into a grounded 3-prong outlet. Do not remove grounding prong, do not use an adapter, and do not use an extension cord.
- Do not use if the power supply cord is damaged. If damaged, do not use the appliance. Contact customer service immediately.
- It is recommended that a separate circuit (serving only your appliance) be used for this fridge. Use receptacles that cannot be turned off by a switch or pull chain.

- Never clean appliance parts with flammable fluids or harsh chemicals. These fumes can create a fire hazard or explosion.
- Do not store or use gasoline or other flammable vapors and liquids in the vicinity of this fridge or any other appliance.
- Before proceeding with cleaning and maintenance operations, make sure to unplug the appliance.
- Do not connect or disconnect the power cord with wet hands.
- Do not attempt to repair or replace any part of your appliance unless it is specifically recommended in this manual. All other servicing should only be recommended by NewAir. Contact customer service if you have any issues arise with your fridge.

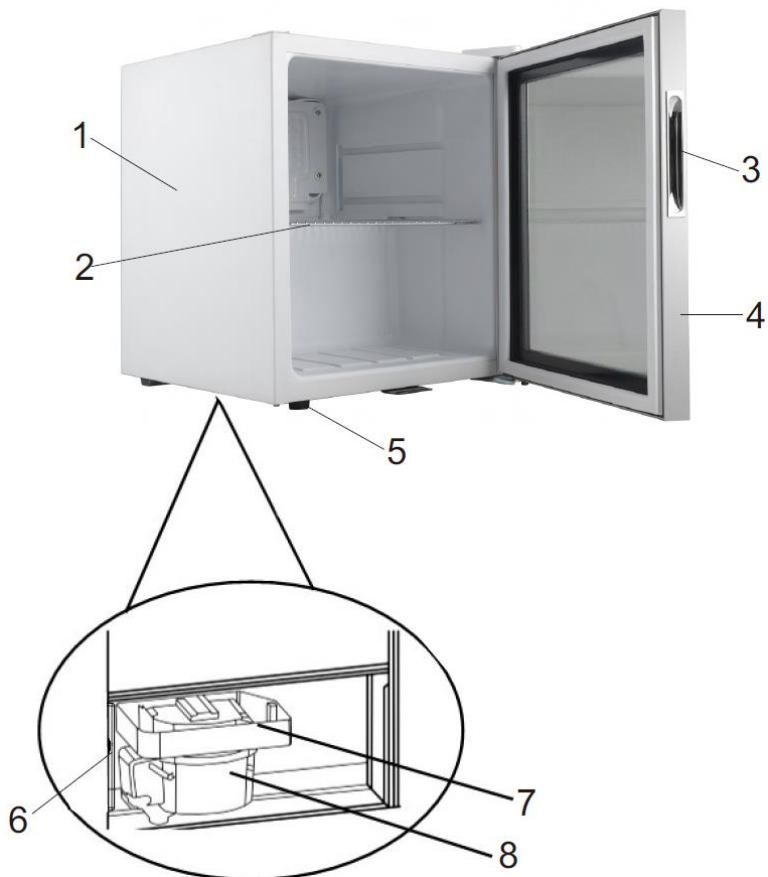


FOLLOW WARNING CALL OUTS BELOW ONLY WHEN APPLICABLE TO YOUR MODEL

- Use two or more people to move and install the fridge. Failure to do so can result in injury.
- To ensure proper ventilation for your fridge, the front must be completely unobstructed. Choose a well-ventilated area with temperatures above 60°F (16°C) and below 90°F (32°C). This fridge must be installed in an area protected from wind, rain, or water spray of any kind.
- This fridge should not be placed next to ovens, grills or similar sources of heat.
- This fridge must be installed with all electrical connections in accordance with state and local codes.
- The fuse (or circuit breaker) size should be 15 amperes.
- It is important for the fridge to be leveled in order to work properly. For a stable installation, make sure the appliance is placed on a flat, level, and solid surface.
- Ensure that the surface on which the appliance is placed is strong enough to hold the combined weight of the fridge and the items stored inside.
- This fridge is not intended for use by This appliance is not intended for use by persons (including children) with reduced physical, sensory or mental capabilities, or lack of experience and knowledge, unless they have been given supervision or instruction concerning use of the appliance by a person responsible for their safety.
- Young children must be supervised to ensure safety around this fridge or any electrical appliance.
- Do not use solvent-based cleaning agents or abrasives on the interior. These cleaners may damage or discolor the interior.

- Keep fingers out of the "pinch point" areas. Clearance between the door and body of the fridge are intentionally small. Be careful closing doors when children are around.
- The temperature range for this beverage refrigerator is optimized for beverage storage. Perishable food items may require a different storage environment.
- Do not place hot food or beverages into the appliance.
- Close the fridge door immediately after putting in any items to keep the internal temperature relatively constant.
- Avoid placing any objects on top of the appliance.
- This is an electrical appliance. To avoid injury from electrical shock, do not operate the unit with wet hands, while standing on a wet surface, or while standing in water. Do not use outdoors or in wet conditions.
- When positioning or moving the appliance, ensure that it is not turned upside down, or tilted more than 45°
- Never pull the power cord to disconnect it from the outlet. Grasp the plug and pull it from the outlet.
- Never lift, carry or drag the appliance by the power cord.
- This appliance is designed for household, non-commercial use only. Any other use will void the warranty.
- Do not plug into the power outlet before set-up is completed.
- Do not move this appliance without emptying it and securing the door in a closed position.

PARTS LIST



1. Fridge
2. Shelf
3. Door handle
4. Door frame
5. Leveling legs (1 big and 1 small)
6. Temperature control (back)
7. Condensation drip tray (back)
8. Compressor (back)

ASSEMBLY & INSTALLATION



To reduce the risk of fire, electrical shock, or injury when using your appliance, follow these basic precautions.

Read all instructions before using the appliance.

WARNING: An empty beverage refrigerator can be hazardous for children or small pets. If disposing of the beverage refrigerator, remove gasket seals, latches, lids, and the entire door from your unused fridge, or take other action to ensure the beverage refrigerator is harmless.

Never allow children to operate, play with, or crawl inside the appliance.

Never clean appliance parts with flammable fluids or harsh chemicals. The fumes can create a fire hazard or explosion.

Do not store or use gasoline or any other flammable vapors and liquids in the vicinity of this or any other appliance. The fumes can create a fire hazard or explosion.

BEFORE FIRST USE

- Remove the exterior and interior packing.
- Before connecting the fridge to a power source, let it stand upright for approximately 24 hours. This will reduce the possibility of a malfunction in the cooling system from handling during transportation.
- Clean the interior surface with lukewarm water using a soft cloth.

INSTALLATION

- This fridge is designed for freestanding installation in a dry, well-ventilated room.
- **WARNING: placing beverages up against the back panel of the fridge could cause cans or bottles to rupture due to excessively low temperatures. Always allow room for air circulation between the back panel and any drinks.**
- **WARNING:** Do not store or install the appliance outdoors.
- **CAUTION:** This appliance is designed for storing and cooling beverage or wines. Do not store perishable food, medicine or other medical products. Do not overcrowd the inside of the fridge.
- Place your appliance on a hard and level floor that is strong enough to support it when it is fully loaded.
- To level your appliance, adjust the leveling legs at the bottom of the appliance if needed.
- Allow of at least 5 inches (127mm) of space between the back and sides of the appliance, for proper air circulation to cool the compressor and condenser.
- Do not install the appliance on carpet.
- Do not install the appliance near an oven or other heating source. Direct sunlight may affect the acrylic coating, and heat sources may increase electrical consumption. For best performance, do not install the appliance behind a cabinet door or under a countertop.
- Avoid extremely hot or cold ambient temperatures, as they may cause the fridge to perform poorly. Install only in areas with ambient temperatures between 60°F and 90°F
- Avoid placing the fridge in an area where it may be exposed to water or excess moisture.
- Plug the fridge into its own grounded wall outlet. Do not, under any circumstances, cut or remove the third (ground) prong from the power cord. Any questions concerning power and/or grounding should be directed toward a qualified electrician or customer service.

ELECTRICAL CONNECTION

WARNING: *Improper use of the grounded plug can result in the risk of electrical shock. If the power cord is damaged, do not use the appliance. Contact NewAir customer service immediately.*

- This fridge requires a standard 115/120 Volt AC ~/60Hz electrical ground outlet with a three-prong power plug.
- Have the wall outlet and circuit checked by a qualified electrician to ensure the outlet is properly grounded. The cord should be secured behind the appliance and not left exposed or dangling to prevent accidental injury.
- The fridge should always be plugged into its own individual electrical outlet which has a voltage rating that matches the rating label on the appliance. This provides the best performance, and it also prevents overloading house wiring circuits that could cause a fire hazard from being overheated.
- Never unplug the appliance by pulling the power cord. Always grip the plug firmly and pull straight out from the receptacle.
- Do not use this fridge via an extension cord.

REVERSING THE DOOR SWING

Tools needed: flathead screwdriver, Phillips head screwdriver

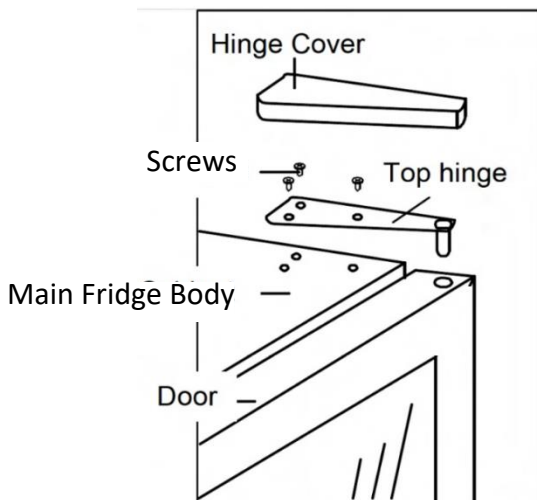
CAUTION: Before you begin, unplug the fridge from power.

To remove the door:

1. Using a flathead screwdriver carefully pry the plastic hinge cover off.
2. Using a Phillips head screwdriver, remove the screws and take off the top hinge. Keep the parts together and set them aside.
3. Lift the door off the bottom hinge and set the door aside.
4. Remove the bottom hinge by removing the screws with a Phillips head screwdriver.

To reinstall the door:

1. Using a flathead screwdriver, remove the plugs and cover from the opposite corner of the top front of the fridge. Set aside.
2. Install the bottom hinge at the opposite corner and fasten the screws.
3. Position the door on the bottom hinge.
4. Align the door on the bottom hinge and install the top hinge.
5. Push the plugs and covers into the corresponding holes on the original hinge insert.

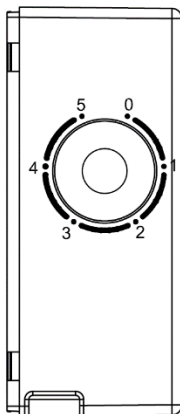


OPERATING INSTRUCTIONS

It is recommended you install the appliance in a place where the ambient temperature is above 60°F (16°C) and below 90°F (32°C). If the ambient temperature is above or below recommended temperatures, the fridge may not run well.

SETTING THE TEMPERATURE

To control the internal temperature, turn the temperature control dial on the back of the fridge. The temperature range is from "0" to "5," where "5" is the coldest temperature setting and "0" is the warmest temperature setting.



DEFROSTING

Under most conditions, the appliance does not need to be defrosted. In cold ambient temperatures and/or high humidity, some frost may build up. To defrost the appliance, set the thermostat dial to "0", remove frozen or perishable items, and the unit should be defrosted after a few hours. After defrosting, return the thermostat dial to the desired position. For faster defrosting, remove all items from the appliance, unplug the appliance, and leave the door open. Never use a knife or other metal instrument to scrape ice/frost from the inside of the unit.

FRIDGE NOISES

The following noises are normal and occur from time to time:

- Gurgling sound, caused by the refrigerant flowing through the appliance's coils.
- Humming noise made by the compressor. This noise can get louder for brief periods when the motor is switching on
- Cracking/popping sounds, resulting from the materials contraction and expansion due to temperature variations
- Internal fan rotation, to circulate the air within the refrigerator cabinet

If you are hearing a noise that doesn't seem to fall under the list above, or seems abnormal, your unit may be installed improperly, or may be faulty. Contact customer service immediately if you hear any noises that cause you concern.

CLEANING & MAINTENANCE

PREPARING FOR LONG-TERM STORAGE

If the fridge will not be used for a long time, it will be necessary to defrost the unit and completely dry the interior.

1. Disconnect the fridge from the power supply by removing the plug from the wall socket.

WARNING: Do not touch the plug when your hands are wet. Never unplug the unit by pulling the cord.

2. Leave the door open until the unit is completely dry inside. Place a towel at the bottom of the inside of the unit to prevent leakage onto the floor.

CAUTION: Store the unit out of the reach of children. If you have children, you may want to take additional precautions such as removing the door.

CLEANING THE FRIDGE

- Unplug from power and remove all items, including shelves.
- Wipe the interior with a warm water and baking soda solution. The solution should be about 2 tablespoons of baking soda to one quart of water.
- Wipe down the shelves with a mild detergent solution.
- Wipe down the outside of the fridge with warm water and mild liquid detergent.
- Do not use steel wool or a steel brush on the stainless steel. These will erode the stainless steel and cause it to rust.

CAUTION: Failure to unplug the appliance before cleaning could result in electric shock or personal injury.

MOVING THE FRIDGE

- Remove all items from inside the appliance.
- Leave the door open until the unit is completely dry inside. Place a towel at the bottom of the inside of the unit to prevent leakage onto the floor.
- Securely tape down shelves inside the unit, and tape the door shut.
- Turn the adjustable legs up into the base to avoid damaging them.
- Keep upright throughout all transportation.

TROUBLESHOOTING

Problem	Possible Causes	Solution
The fridge isn't running	<ul style="list-style-type: none"> • There is a power failure • The fridge is not plugged in • A house fuse has blown, or the circuit breaker is tripped 	<ul style="list-style-type: none"> • Ensure the fridge is plugged in and that the power outlet is functional • Replace the broken fuse or reset the breaker
The fridge isn't cold enough	<ul style="list-style-type: none"> • The fridge is placed too close to a heat source • The door is being opened too often • The door is not closed completely • The door gasket does not seal properly 	<ul style="list-style-type: none"> • Adjust the temperature • Keep the fridge away from sunshine or other heat sources • Close the door tightly and do not open the door too frequently or for a long period of time • Ensure the door gasket is not loose
The fridge turns itself on and off frequently	<ul style="list-style-type: none"> • The ambient temperature is too low or high • The inside of the fridge is overcrowded with items • The door is opened too often • The door is not closed completely • The door gasket does not seal properly 	<ul style="list-style-type: none"> • Decrease or increase the ambient temperature • Do not overcrowd the inside of the fridge • Close the door tightly and do not open the door too frequently or for a long period of time • Ensure the door gasket is not loose • It is normal for the fan to turn on and off to circulate the air inside of the unit for even temperature distribution and to save energy

Problem	Possible Causes	Solution
The fridge makes too much noise	<ul style="list-style-type: none"> • The noises are part of normal operation (see above) • The unit is not installed properly • The unit is malfunctioning 	<ul style="list-style-type: none"> • It is normal that as each cooling cycle ends, you may hear rattling or gurgling sounds caused by the flow of refrigerant in the appliance. The high-efficiency compressor may make a pulsating or high-pitched sound • Some popping or cracking noises are normal. They are caused by expansion and contraction of the inside walls due to temperature changes • Make sure the fridge is on a hard and level surface. Do not place the fridge on carpet
The door does not close properly	<ul style="list-style-type: none"> • The fridge is not level • The door was reversed and not properly installed • The shelves are out of position 	<ul style="list-style-type: none"> • Make sure the fridge is on a hard and level surface. Avoid placing the fridge on a soft or carpeted surface • Reinstall the door • Correctly install the shelves
Condensation builds up on the glass door	<ul style="list-style-type: none"> • Ambient temperature or humidity is too high. 	<ul style="list-style-type: none"> • Lower the room humidity/temperature by using a dehumidifier or air conditioner.
The fridge is frosting often	<ul style="list-style-type: none"> • The door was not closed completely • The door gasket is not sealing • Use a screwdriver to loosen the screws to reposition the door/hinge and tighten the screws • Ambient temperature or humidity is too high 	<ul style="list-style-type: none"> • Close the door tightly and do not open the door too frequently or for a long period of time • Reinstall the door • Ensure the door gasket is not loose • Lower the room humidity/temperature with a dehumidifier or air conditioner.

LIMITED MANUFACTURER'S WARRANTY

This appliance is covered by a limited manufacturer's warranty. For one year from the original date of purchase, the manufacturer will repair or replace any parts of this appliance that prove to be defective in materials and workmanship, provided the appliance has been used under normal operating conditions as intended by the manufacturer.

Warranty Terms:

During the first year, any components of this appliance found to be defective due to materials or workmanship will be repaired or replaced, at the manufacturer's discretion, at no charge to the original purchaser. The purchaser will be responsible for any removal or transportation costs.

Warranty Exclusions:

The warranty will not apply if damage is caused by any of the following:

- Power failure
- Damage in transit or when moving the appliance
- Improper power supply such as low voltage, defective household wiring or inadequate fuses
- Accident, alteration, misuse or abuse of the appliance such as using non-approved accessories, inadequate air circulation in the room or abnormal operating conditions (extreme temperatures)
- Use in commercial or industrial applications
- Fire, water damage, theft, war, riot, hostility or acts of God such as hurricanes, floods, etc.
- Use of force or damage caused by external influences
- Partially or completely dismantled appliances
- Excess wear and tear by the user

Obtaining Service:

When making a warranty claim, please have the original bill of purchase with the purchase date available. Once confirmed that your appliance is eligible for warranty service, all repairs will be performed by a NewAir™ authorized repair facility. The purchaser will be responsible for any removal or transportation costs. Replacement parts and/or units will be new, re-manufactured or refurbished and is subject to the manufacturer's discretion. For technical support and warranty service, please email support@newairusa.com.

Un nom de confiance

La confiance doit être gagnée et nous allons mériter la vôtre. La satisfaction du client est notre priorité.

De l'usine à l'entrepôt et de la surface de vente à votre domicile, les fabricants des produits NewAir font la promesse de vous fournir des produits novateurs, un service exceptionnel et un soutien au moment où vous en avez le plus besoin.

Vous pouvez compter sur NewAir.

En votre qualité de fier propriétaire d'un produit NewAir, nous vous souhaitons la bienvenue dans notre famille. Notre entreprise n'utilise aucun robot, uniquement de véritables personnes pour vous livrer votre produit et de véritables personnes pour vous aider.

Pour nous joindre :

Pour toute question concernant votre produit, communiquez avec nous à :

Téléphone : 1 855 963-9247

Courriel : support@newair.com

En ligne : www.newair.com

Suivez-nous :



[Facebook.com/newairusa](https://www.facebook.com/newairusa)



[Instagram.com/newairusa](https://www.instagram.com/newairusa)



[YouTube.com/newairusa](https://www.youtube.com/newairusa)



[Twitter.com/newairusa](https://www.twitter.com/newairusa)

LISEZ ET CONSERVEZ CES INSTRUCTIONS.

TABLE DES MATIÈRES

Caractéristiques	21
Enregistrer Votre Produit En Ligne	22
Consignes De Sécurité Et Mises En Garde.....	23
Liste Des Pièces	26
Assemblage Et Installation	277
Installation	28
Raccordement Électrique.....	29
Inversion De La Porte.....	30
Mode D'emploi	31
Réglage De La Température.....	31
Dégivrage	31
Bruits Du Refroidisseur	32
Nettoyage Et Entretien	33
Préparer L'appareil Pour Le Rangement À Long Terme.....	33
Nettoyage Du Refroidisseur.....	33
Déplacement Du Refroidisseur	34
Dépannage	35
Garantie Limitée Du Fabricant	38

CARACTÉRISTIQUES

N° DU MODÈLE	AB-600B
TENSION :	110-120V
COURANT :	1,3A
FRÉQUENCE :	60Hz
CONSOMMATION ÉLECTRIQUE :	85W
CAPACITÉ :	60
ÉCART DE TEMPÉRATURE :	37 °F – 65 °F
RÉFRIGÉRANT :	R600a
POIDS NET:	37.2 lbs.
DIMENSIONS DE L'APPAREIL:	18,9 po D x 16,93 po L x 19,69 po H (20,28 po avec la charnière)

ENREGISTRER VOTRE PRODUIT EN LIGNE

Enregistrer votre produit NewAir en ligne dès aujourd'hui!

Profitez de tous les avantages de l'enregistrement de votre produit :



Services et soutien

Faites un diagnostic des problèmes d'utilisation et de service plus rapidement et plus efficacement



Avis de rappel

Restez à l'affût des mises à jour du système et de sécurité, et des avis de rappel



Promotions spéciales

Abonnez-vous pour recevoir les promotions et offres de NewAir

Enregistrer l'information relative à votre produit en ligne est sécuritaire et prendra moins de 2 minutes :

newair.com/register

Par ailleurs, nous vous recommandons de joindre une copie de votre facture ci-dessous et d'inscrire l'information ci-dessous; celle-ci se trouve sur la plaque signalétique du fabricant à l'arrière de l'appareil. Vous en aurez besoin s'il s'avère nécessaire de communiquer avec le service à la clientèle du fabricant.

Date d'achat : _____

Numéro de série : _____

Numéro du modèle : _____

CONSIGNES DE SÉCURITÉ ET MISES EN GARDE

Votre sécurité et celle des autres nous tiennent à cœur.

Afin de réduire les risques d'incendie, d'électrocution ou de blessure lors de l'utilisation de votre appareil NewAir, suivez ces précautions de base :



Ce symbole est le symbole d'alerte en matière de sécurité. Il vous informe des dangers potentiels qui peuvent entraîner de graves blessures. Tous les messages de sécurité suivront les symboles d'instructions sur la sécurité et soit les mots « **DANGER** » ou « **AVERTISSEMENT** ».

DANGER : Danger signifie que le non-respect du présent énoncé sur la sécurité peut entraîner des blessures graves, voire mortelles.

AVERTISSEMENT : Avertissement signifie que le non-respect du présent énoncé sur la sécurité peut entraîner des avaries importantes causées au produit, des blessures graves, voire la mort.

ATTENTION : Attention signifie que le non-respect du présent énoncé sur la sécurité peut entraîner des blessures mineures ou modérées, ainsi que des avaries à la propriété ou à l'équipement. **DANGER - RISQUE D'INCENDIE OU D'EXPLOSION. RÉFRIGÉRANT INFLAMMABLE UTILISÉ. NE DOIT ÊTRE RÉPARÉ QUE PAR DU PERSONNEL D'ENTRETIEN QUALIFIÉ. NE PAS PERCER LE TUBE DE RÉFRIGÉRANT.**

Tous les messages de sécurité vous alerteront du danger potentiel, vous indiqueront comment réduire les risques de blessure et vous indiqueront ce qui peut se produire si les instructions ne sont pas suivies.



DIRECTIVES IMPORTANTES EN MATIÈRE DE SÉCURITÉ

Avant d'utiliser ce refroidisseur, celui-ci doit être correctement installé comme décrit dans ce manuel. Veuillez lire ce manuel attentivement. Afin de réduire les risques d'incendie, d'électrocution ou de blessure lors de l'utilisation de l'appareil, suivez les précautions de base, notamment :

- Toujours brancher l'appareil sur une prise à 3 broches mise à la terre. Ne pas retirer la broche de mise à la terre, ni utiliser d'adaptateur ou de rallonge.
- Ne pas utiliser l'appareil si le cordon d'alimentation est endommagé. Si c'est le cas, communiquez avec le service à la clientèle immédiatement.
- Il est recommandé d'utiliser un circuit séparé (consacré uniquement à votre appareil) pour ce refroidisseur. Utiliser des prises qui ne peuvent pas être éteintes par un interrupteur ou une chaînette.
- Ne pas nettoyer les pièces de l'appareil avec des liquides inflammables ou des produits chimiques corrosifs. Ces émanations peuvent créer un risque d'incendie ou d'explosion.
- Ne pas entreposer ni utiliser d'essence ou d'autres liquides ou vapeurs inflammables à proximité de ce refroidisseur ou de tout autre appareil.
- Avant de nettoyer et de faire l'entretien de l'appareil, s'assurer de débrancher l'appareil.
- Ne pas connecter ni débrancher le cordon d'alimentation avec des mains mouillées.
- Ne pas essayer de réparer ou de remplacer une pièce de votre appareil à moins que cela ne soit expressément recommandé dans ce manuel. Tout autre entretien ne devrait être recommandé que par NewAir. Communiquez avec le service à la clientèle si vous avez des problèmes avec votre refroidisseur.

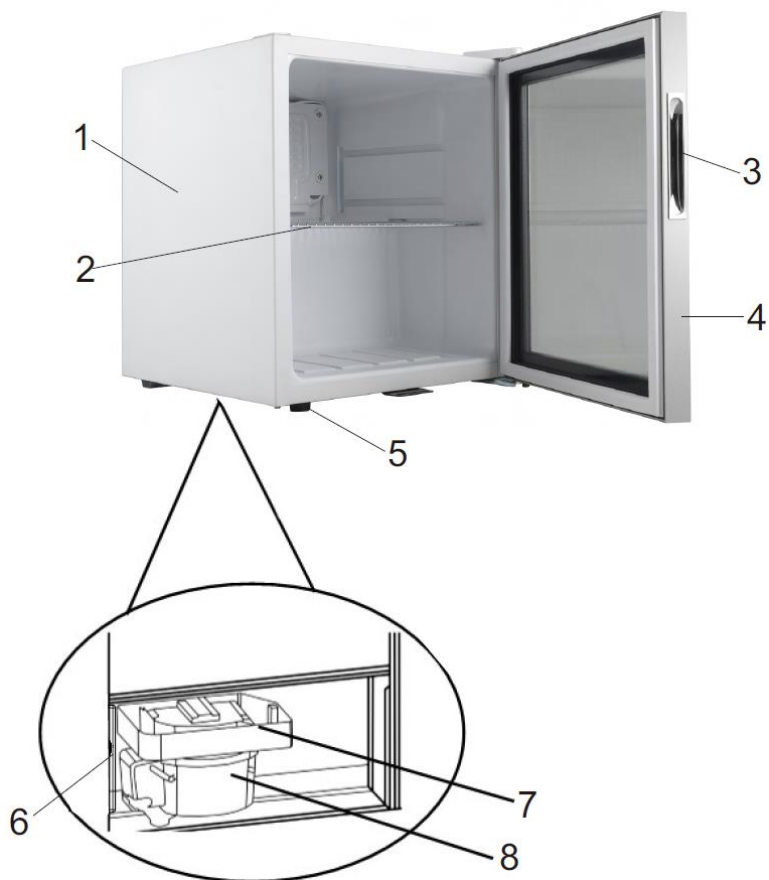


SUIVEZ LES INDICATIONS CI-DESSOUS UNIQUEMENT SI ELLES S'APPLIQUENT À VOTRE MODÈLE

- Il faut deux personnes ou plus pour déplacer et installer le refroidisseur sinon, cela peut entraîner des blessures.
- Afin d'assurer une ventilation adéquate de votre refroidisseur, la partie avant doit être complètement dégagée. Choisissez un endroit bien aéré, à des températures entre 16 °C (60 °F) et 32 °C (90 °F). Ce refroidisseur doit être installé dans un endroit protégé du vent, de la pluie et des éclaboussures d'eau.
- Ce refroidisseur ne doit pas être placé à côté de fours, de grils ou de sources de chaleur semblables.
- Ce refroidisseur doit être installé en utilisant tous les raccordements électriques conformément aux codes locaux et en vigueur.
- La puissance du fusible (ou du disjoncteur) doit être de 15 ampères.
- Il est important que le refroidisseur soit mis à niveau afin de garantir qu'il fonctionne correctement. Pour une installation stable, s'assurer que l'appareil est placé sur une surface plane et solide.

- S'assurer que la surface sur laquelle l'appareil est placé est suffisamment solide pour supporter le poids du refroidisseur et des objets qui y sont rangés.
- Ce refroidisseur ne doit pas être utilisé par des personnes (y compris les enfants) ayant des capacités physiques, sensorielles ou mentales réduites, ou qui n'ont pas l'expérience et les connaissances requises, à moins qu'elles ne soient surveillées ou qu'elles aient reçu des instructions concernant l'utilisation de cet appareil par une personne responsable de leur sécurité.
- Les jeunes enfants doivent être surveillés s'ils se trouvent à proximité de ce refroidisseur ou de tout appareil électrique.
- Ne pas utiliser de produits à base de solvant ni d'abrasifs pour nettoyer l'intérieur. Ces nettoyeurs peuvent endommager ou décolorer la surface.
- Garder les doigts hors des zones de « pincement ». Le peu de dégagement entre la porte et le boîtier du refroidisseur est intentionnel. Usez de précaution lorsque vous fermez la porte si des enfants se trouvent dans sa proximité.
- L'écart de température de ce refroidisseur à boissons est optimisé pour favoriser la conservation des boissons. Les aliments périssables peuvent nécessiter un milieu ambiant différent.
- Ne pas placer de boissons ou d'aliments chauds dans l'appareil.
- Fermer la porte du refroidisseur immédiatement après avoir placé des articles à l'intérieur afin de maintenir la température interne relativement constante.
- Ne pas placer d'objets sur le dessus de l'appareil.
- Ce produit est un appareil électrique. Afin d'éviter tout risque d'électrocution, ne pas utiliser l'appareil avec les mains mouillées, ni sur une surface mouillée ni dans l'eau. Ne pas utiliser à l'extérieur ou dans des conditions d'humidité.
- Lors de l'installation ou du déplacement de l'appareil, veillez à ce qu'il ne soit pas renversé ni incliné à plus de 45°.
- Ne jamais tirer sur le cordon d'alimentation pour le débrancher de la prise. Saisir la fiche pour la retirer de la prise.
- Ne jamais soulever, transporter ou tirer l'appareil par le cordon d'alimentation.
- Cet appareil est conçu pour un usage résidentiel et non commercial. Toute autre utilisation annulera la garantie.
- Ne pas brancher l'appareil dans la prise de courant avant la fin de l'installation.
- Ne pas déplacer cet appareil avant de l'avoir vidé et d'avoir verrouillé la porte.

LISTE DES PIÈCES



1. Meuble principal
2. Clayette à l'intérieur
3. Poignée de porte
4. Cadre de porte
5. Pieds de mise à niveau (1 petit et 1 grand)
6. Contrôle de la température (arrière)
7. Bac de récupération des condensats (arrière)
8. Compresseur (arrière)

ASSEMBLAGE ET INSTALLATION



Afin de réduire les risques d'incendie, d'électrocution ou de blessure lors de l'utilisation de votre appareil, suivez ces précautions de base. Lisez toutes les instructions avant d'utiliser l'appareil.

AVERTISSEMENT : Un refroidisseur de boissons vide peut représenter un danger pour les enfants ou les petits animaux domestiques. Si vous jetez le refroidisseur à boissons, retirez les joints d'étanchéité, les loquets, les couvercles et la porte entière de votre refroidisseur, ou prenez d'autres mesures pour vous assurer que le refroidisseur à boissons ne présente aucun danger.

Ne jamais laisser les enfants utiliser, jouer ou grimper à l'intérieur de l'appareil.

Ne jamais nettoyer les pièces de l'appareil avec des liquides inflammables ou des produits chimiques corrosifs. Les vapeurs peuvent créer un risque d'incendie ou d'explosion.

Ne jamais ranger ni utiliser d'essence ou d'autres liquides ou vapeurs inflammables à proximité de cet appareil ou de tout autre appareil. Les vapeurs peuvent créer un risque d'incendie ou d'explosion.

AVANT LA PREMIÈRE UTILISATION

- Retirer l'emballage extérieur et intérieur.
- Avant de brancher le refroidisseur à une source d'alimentation, le laisser en position verticale pendant environ 24 heures. Cela réduira le risque de défaillance du système de refroidissement lors du transport.
- Nettoyer la surface intérieure avec de l'eau tiède et un chiffon doux.

INSTALLATION

- Ce refroidisseur est conçu pour être installé une pièce non humide et bien ventilée.
- **AVERTISSEMENT : Placer les boissons contre le panneau arrière du refroidisseur peut provoquer la rupture des canettes ou des bouteilles en raison des températures excessivement basses. Toujours laisser de l'espace pour faire circuler l'air entre le panneau arrière et les boissons.**
- AVERTISSEMENT : Ne pas ranger ni installer l'appareil à l'extérieur.
- ATTENTION : Cet appareil est conçu pour stocker et refroidir des boissons ou du vin. Ne pas y ranger d'aliments périssables, des médicaments ou d'autres produits médicaux. Ne pas surcharger l'intérieur du refroidisseur.
- Placer votre appareil sur un sol dur et au niveau, suffisamment solide pour le supporter lorsqu'il est complètement chargé.
- Pour mettre votre appareil à niveau, régler les pieds de nivellement situés au bas de l'appareil, le cas échéant.
- Laisser un espace d'au moins 127 mm (5 po) entre l'arrière et les côtés de l'appareil pour permettre une circulation d'air adéquate pour que le compresseur et le condenseur puissent refroidir.
- Ne pas installer l'appareil sur un tapis.
- Ne pas installer l'appareil à proximité d'un four ou d'une autre source de chaleur. La lumière directe du soleil peut modifier le revêtement acrylique, et les sources de chaleur peuvent augmenter la consommation d'électricité. Afin de garantir des performances optimales, ne pas installer l'appareil derrière une armoire ou sous un comptoir.
- Éviter l'utilisation dans des endroits où les températures ambiantes sont extrêmement chaudes ou froides, car cela pourrait nuire au bon fonctionnement du refroidisseur. L'installer uniquement dans des endroits où la température ambiante se situe entre 60 °F et 90 °F. Éviter d'installer le refroidisseur dans un endroit exposé à l'eau ou à une humidité excessive.
- Brancher le refroidisseur dans sa propre prise murale mise à la terre. En aucun cas vous ne devez couper ou retirer la troisième broche (terre) du cordon d'alimentation. Tout problème relatif à l'alimentation ou la mise à la terre doit être communiqué à un électricien qualifié ou un service après-vente.

RACCORDEMENT ÉLECTRIQUE

AVERTISSEMENT : Une mauvaise utilisation de la fiche mise à la terre peut entraîner un risque d'électrocution. Si le cordon d'alimentation est endommagé, ne pas utiliser l'appareil. Communiquez immédiatement le service à la clientèle de NewAir.

- Ce refroidisseur nécessite une prise électrique mise à la terre standard de 115/120 V ~ / 60Hz avec une fiche à trois broches.
- Faites vérifier la prise murale et le circuit par un électricien qualifié pour vous assurer qu'elle est correctement mise à la terre. Le cordon doit être sécurisé derrière l'appareil et ne doit pas être exposé ni laissé pendre pour éviter les blessures accidentelles.
- Le refroidisseur doit toujours être branché dans une prise de courant individuelle dont la tension nominale correspond à celle indiquée sur l'appareil. Cela permet d'améliorer le rendement et également d'éviter de surcharger les circuits de câblage de la maison, ce qui pourrait poser un risque d'incendie en cas de surchauffe.
- Ne jamais débrancher l'appareil en tirant sur le cordon d'alimentation. Toujours tenir la fiche fermement pour la retirer du réceptacle.
- Ne pas brancher ce refroidisseur sur une rallonge.

INVERSION DE LA PORTE

Outils requis : tournevis à tête plate et cruciforme

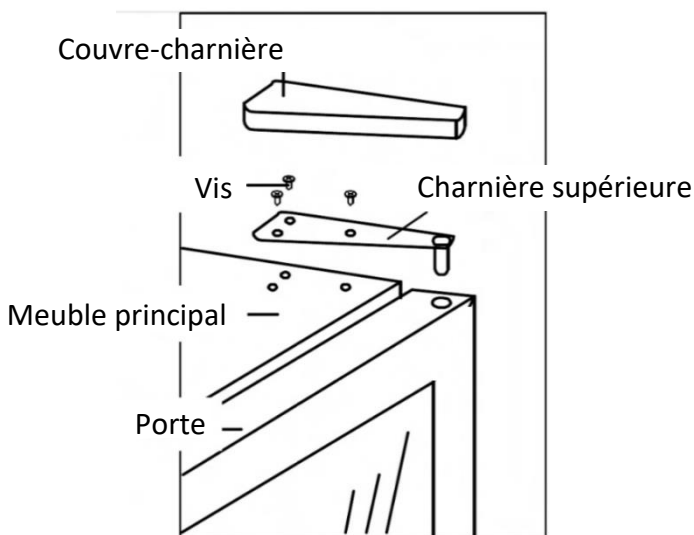
ATTENTION : Avant de commencer, débrancher le refroidisseur de la prise de courant.

Pour retirer la porte :

5. À l'aide d'un tournevis à tête plate, soulever délicatement le cache-charnière en plastique.
6. Avec un tournevis cruciforme, retirer les vis et la charnière supérieure. Garder les pièces ensemble et les mettre de côté.
7. Soulever la porte de la charnière inférieure et la mettre de côté.
8. Retirer les vis de la charnière inférieure avec un tournevis cruciforme et la retirer.

Pour réinstaller la porte:

6. À l'aide d'un tournevis à tête plate, retirer les couvre-charnières et le couvercle dans le coin opposé de la partie supérieure avant du refroidisseur. Mettre de côté.
7. Installer la charnière inférieure dans le coin opposé et serrer les vis.
8. Placer la porte sur la charnière inférieure.
9. Aligner la porte sur la charnière inférieure puis installer la charnière supérieure.
10. Insérer les bouchons et les couvercles dans les trous correspondants de la charnière d'origine.

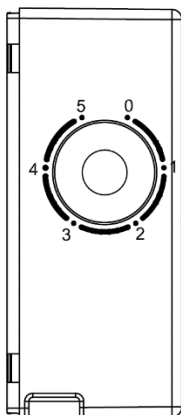


MODE D'EMPLOI

Il est recommandé d'installer l'appareil dans un endroit où la température ambiante se situe entre 16 °C (60 °F) et 32 °C (90 °F). Si la température ambiante est supérieure ou inférieure aux températures recommandées, le refroidisseur risque de ne pas fonctionner correctement.

RÉGLAGE DE LA TEMPÉRATURE

Pour contrôler la température interne, tourner le cadran du contrôle de la température situé à l'arrière du refroidisseur. L'écart de température va de «0» à «5», où «5» représente le réglage de température le plus froid et «0» le plus chaud.



DÉGIVRAGE

Dans la plupart des conditions, l'appareil n'a pas besoin d'être dégivré. Lorsque les températures ambiantes sont froides ou si l'humidité est élevée, du givre peut s'accumuler. Pour dégivrer l'appareil, régler le cadran du thermostat à «0», retirer les articles gelés ou périssables, et le givre devrait disparaître au bout de quelques heures. Après le dégivrage, remettre le cadran du thermostat à la position souhaitée. Pour un dégivrage plus rapide, retirer tous les articles de l'appareil, le débrancher et laisser la porte ouverte. Ne jamais utiliser un couteau ou un autre instrument en métal pour gratter la glace ou le givre à l'intérieur de l'appareil.

BRUITS DU REFROIDISSEUR

Les bruits suivants sont normaux et se produiront de temps à autre :

- Bruit de gargouillis causé par le réfrigérant qui circule dans les serpentins de l'appareil.
- Bourdonnement produit par le compresseur. Ce bruit peut s'accroître pendant de brèves périodes lorsque le moteur est en marche
- Bruits de craquement – se produisent lors de la contraction et de la dilatation des matériaux dues aux variations de température
- Rotation du ventilateur interne - fait circuler l'air dans le refroidisseur

Si vous entendez un bruit qui ne se trouve pas dans la liste ci-dessus ou qui semble anormal, il se peut que votre appareil soit installé d'une façon contraire aux instructions ou qu'il soit défectueux. Communiquez immédiatement avec le service à la clientèle si vous entendez des bruits inquiétants.

NETTOYAGE ET ENTRETIEN

PRÉPARER L'APPAREIL POUR LE RANGEMENT À LONG TERME

Si le refroidisseur n'était pas utilisé pendant une longue période, il devrait être dégivré et séché complètement à l'intérieur.

1. Débrancher le refroidisseur de l'alimentation en retirant la fiche de la prise murale.

AVERTISSEMENT : Ne pas toucher la fiche avec les mains mouillées. Ne jamais débrancher l'appareil en tirant sur le cordon.

2. Laisser la porte ouverte jusqu'à ce que l'unité soit complètement sèche à l'intérieur. Placer une serviette sur la base à l'intérieur de l'appareil pour éviter les fuites sur le sol.

ATTENTION : Ranger l'appareil hors de la portée des enfants. Si vous avez des enfants, veuillez prendre des précautions supplémentaires, comme retirer la porte.

NETTOYAGE DU REFROIDISSEUR

- Débrancher l'alimentation et retirer tous les objets, y compris les clayettes.
- Essuyer l'intérieur avec une solution d'eau tiède et de bicarbonate de soude. La solution devrait être d'environ 2 cuillères à soupe de bicarbonate de soude pour un litre d'eau.
- Essuyer les clayettes avec une solution de détergent doux.
- Essuyer l'extérieur du refroidisseur avec de l'eau tiède et un détergent liquide doux.
- Ne pas utiliser de laine d'acier ou une brosse en acier sur l'acier inoxydable. Cela pourrait éroder l'acier inoxydable et le faire rouiller.

ATTENTION : Ne pas débrancher l'appareil avant le nettoyage peut entraîner un risque d'électrocution ou des blessures corporelles.

DÉPLACEMENT DU REFROIDISSEUR

- Retirer tous les articles à l'intérieur de l'appareil.
- Laisser la porte ouverte jusqu'à ce que l'unité soit complètement sèche à l'intérieur. Placer une serviette sur la base à l'intérieur de l'appareil pour éviter les fuites d'eau sur le sol.
- Fixer du ruban adhésif sur les clayettes à l'intérieur de l'appareil et fixer la porte à l'aide de ruban adhésif.
- Rentrer les pieds réglables dans la base pour éviter de les endommager.
- Transporter l'appareil en le gardant à la position verticale.

DÉPANNAGE

Problème	Causes possibles	Solution
Le refroidisseur ne refroidit pas.	<ul style="list-style-type: none"> • Il y a une panne de courant • Le refroidisseur n'est pas branché • Un fusible est grillé ou le disjoncteur s'est déclenché. 	<ul style="list-style-type: none"> • Assurez-vous que le refroidisseur est branché et que la prise de courant fonctionne. • Remplacez le fusible grillé ou réinitialisez le disjoncteur
La température du refroidisseur n'est pas assez froide.	<ul style="list-style-type: none"> • Le refroidisseur est placé trop près d'une source de chaleur • La porte est ouverte trop souvent • La porte n'est pas complètement fermée • Le joint de la porte n'est pas étanche 	<ul style="list-style-type: none"> • Ajustez la température • Gardez le refroidisseur à l'abri du soleil ou de toute autre source de chaleur. • Fermez la porte hermétiquement et ne l'ouvrez pas trop souvent ni trop longtemps. • Assurez-vous que le joint de la porte n'est pas desserré
Refroidisseur s'allume et s'éteint fréquemment	<ul style="list-style-type: none"> • La température ambiante est trop basse ou trop élevée • Il y a trop d'articles à l'intérieur du refroidisseur • La porte est ouverte trop souvent • La porte n'est pas complètement fermée • Le joint de la porte n'est pas étanche 	<ul style="list-style-type: none"> • Diminuez ou augmentez la température ambiante. • Ne pas trop ranger d'articles dans le refroidisseur • Fermez la porte hermétiquement et ne l'ouvrez pas trop souvent ni trop longtemps. • Assurez-vous que le joint de la porte n'est pas desserré • Il est normal que le ventilateur s'allume et s'éteigne pour faire circuler l'air à l'intérieur de l'appareil afin de

Problème	Causes possibles	Solution
Le refroidisseur semble trop bruyant.	<ul style="list-style-type: none"> • Les bruits font partie du fonctionnement normal de l'appareil (voir ci-dessus) • L'appareil n'est pas installé correctement • L'appareil ne fonctionne pas comme il se doit 	<p>répartir uniformément la température et d'économiser de l'énergie.</p> <ul style="list-style-type: none"> • Il est normal qu'à la fin de chaque cycle de refroidissement, vous entendiez un bruit de clics ou de gargouillis provoqué par le débit du réfrigérant dans l'appareil. Le compresseur à haute efficacité peut émettre un son pulsé ou aigu. • Certains bruits de craquement sont normaux. Ils sont causés par la dilatation et la contraction des parois à l'intérieur causées par des changements de température. • Assurez-vous que le refroidisseur est sur une surface dure et plane. Ne placez pas le refroidisseur sur un tapis
La porte ne ferme pas correctement	<ul style="list-style-type: none"> • L'appareil n'est pas au niveau. • La porte était mal inversée et installée • Les clayettes ne sont pas installées correctement 	<ul style="list-style-type: none"> • Assurez-vous que le refroidisseur est sur une surface dure et plane. Évitez de placer le refroidisseur sur une surface molle ou recouverte d'une moquette • Réinstallez la porte • Installez correctement les clayettes

Problème	Causes possibles	Solution
Il y a une accumulation de condensation sur la vitre	<ul style="list-style-type: none"> • La température ambiante ou l'humidité est trop élevée. 	<ul style="list-style-type: none"> • Abaissez le niveau d'humidité ou la température de la pièce en utilisant un déshumidificateur ou un climatiseur.
Il y a souvent du givre à l'intérieur du refroidisseur	<ul style="list-style-type: none"> • Le joint de la porte n'est pas étanche • Utilisez un tournevis pour desserrer les vis afin de repositionner la porte ou charnière, puis serrez les vis • La température ambiante ou l'humidité est trop élevée 	<ul style="list-style-type: none"> • Fermez la porte hermétiquement et ne l'ouvrez pas trop souvent ni trop longtemps • Réinstallez la porte • Assurez-vous que le joint de la porte n'est pas desserré • Abaissez le niveau d'humidité ou la température ambiante avec un déshumidificateur ou un climatiseur.

GARANTIE LIMITÉE DU FABRICANT

Cet appareil est couvert par la garantie limitée du fabricant. Pour une période d'un an à compter de la date d'achat, le fabricant réparera ou remplacera les pièces de cet appareil qui s'avèreraient défectueuses en raison de vices de matériaux ou de main-d'œuvre, pourvu que l'appareil ait été utilisé dans des conditions normales recommandées par le fabricant.

Conditions de la garantie :

Au cours de la première année, toutes les composantes de l'appareil défectueuses en raison d'un vice de matière ou de fabrication seront réparées ou remplacées gratuitement, à la discrétion du fabricant. L'acheteur devra assumer les frais de déplacement ou de transport.

Exclusions de la garantie :

La garantie ne s'applique pas si des dommages sont survenus pour les raisons suivantes :

- Panne de courant
- Dommages pendant le transport ou le déplacement de l'appareil
- Une mauvaise alimentation en courant comme une basse tension, un câblage défectueux ou des fusibles inadaptés
- Un incident, une altération, une mauvaise utilisation ou un abus de l'usage de l'appareil comme l'utilisation d'accessoires non agréés, une circulation d'air insuffisante dans la pièce ou des conditions d'utilisation anormales (températures extrêmes)
- Utilisation dans des applications commerciales ou industrielles
- Incendie, dégâts d'eau, vol, guerre, émeute, hostilité ou catastrophes naturelles comme les ouragans, inondations, etc.
- Utilisation de la force ou dommages causés par des influences extérieures
- Appareils partiellement ou complètement désassemblés
- Usure excessive par l'utilisateur

Pour obtenir des services :

Pour invoquer la garantie, veuillez avoir la facture d'achat originale indiquant la date d'achat. Après avoir reçu la conformation que votre appareil est admissible à la garantie, toutes les réparations doivent être effectuées par un atelier de réparation NewAir™ agréé. L'acheteur devra assumer les frais de déplacement ou de transport. Les pièces ou appareils de remplacement seront à l'état neuf, reconditionnés ou remis à neuf et sont assujettis à la discrétion du fabricant. Pour obtenir un soutien technique et un service sous garantie, veuillez envoyer un courriel à support@newair.com

Un Nombre en el que Puedes Confiar

La confianza debe ganarse y nosotros nos ganaremos la suya. La felicidad del cliente es el centro de nuestro negocio.

Desde la fábrica hasta el almacén, desde el piso de ventas hasta su hogar, toda la familia NewAir se compromete a brindar productos innovadores, un servicio excepcional y asistencia cuando más lo necesite.

Cuente con NewAir.

Como orgulloso propietario de NewAir, bienvenido a nuestra familia. Aquí no hay robots, personas reales enviaron su producto y personas reales están aquí para ayudarlo.

Contáctenos:

Si tiene preguntas sobre su producto, comuníquese con nosotros a:

Llame: 1-855-963-9247
Email: support@newair.com
En Línea: www.newair.com

Conecta con nosotros:



Facebook.com/newairusa



Instagram.com/newairusa



YouTube.com/newairusa



Twitter.com/newairusa

LEA Y GUARDE ESTAS INSTRUCCIONES.

INDICE

Especificaciones Técnicas	40
Registre Su Producto En Línea	41
Advertencias E Información De Seguridad.....	42
Lista De Partes	45
Montaje E Instalación	46
Antes Del Primer Uso	46
Instalación.....	47
Conexión Eléctrica.....	48
Inversión De La Apertura De La Puerta.....	49
Instrucciones De Uso	50
Ajuste De La Temperatura	50
Descongelacion.....	50
Ruidos Del Refrigerador.....	51
Limpeza Y Mantenimiento	52
Preparación Para El Almacenamiento A Largo Plazo	52
Limpeza Del Refrigerador.....	52
Mover El Refrigerador.....	53
Solución De Problemas	54
Garantía Del Fabricante	57

ESPECIFICACIONES TÉCNICAS

NUM. DE MODELO	AB-600B
VOLTAJE:	110-120V
CORRIENTE:	1.3A
FRECUENCIA:	60Hz
CONSUMO DE ENERGÍA:	85W
CAPACIDAD DE LATAS:	60
RANGO DE TEMPERATURA:	37°F - 65°F
REFRIGERANTE:	R600a
PESO DEL PRODUCTO:	37.2 lbs.
DIMENSIONES DE LA UNIDAD	18.9"Profundidad x 16.93"Ancho x 19.69"Alto (20.28" c/Bisagra)

REGISTRE SU PRODUCTO EN LÍNEA

¡Registre su producto NewAir en línea hoy!

Aproveche todos los beneficios que ofrece el registro de productos:



Servicio y soporte

Diagnostique y resuelva problemas de servicio de forma más rápida y precisa



Notificaciones

Manténgase actualizado sobre seguridad y actualizaciones del sistema por medio de notificaciones



Promociones especiales

Inscríbase para recibir promociones y ofertas de NewAir

Registrar la información de tu producto en línea de forma segura y en menos de 2 minutos:

newair.com/register

Le recomendamos que adjunte una copia de su recibo de compra a continuación y registre la siguiente información, que se encuentra en la placa de identificación del fabricante en la parte posterior de la unidad. Necesitará esta información si es necesario ponerse en contacto con el fabricante para consultas de servicio.

Fecha de Compra: _____

Número de Serie: _____

Número del modelo: _____

ADVERTENCIAS E INFORMACIÓN DE SEGURIDAD

Su seguridad y la seguridad de los demás son muy importantes para nosotros. Para reducir el riesgo de incendio, descarga eléctrica o lesiones al usar su aparato NewAir, siga estas precauciones básicas



Éste es el símbolo de alerta de seguridad. Este símbolo le advierte sobre peligros potenciales que pueden resultar en lesiones graves. Todos los mensajes de seguridad seguirán las Símbolo de alerta y las palabras "**PELIGRO**" o "**ADVERTENCIA**".

PELIGRO: Peligro significa que el incumplimiento de esta declaración de seguridad puede provocar lesiones graves o muerte.

ADVERTENCIA: Advertencia significa que no seguir esta declaración de seguridad puede resultar en daños extensos al producto, lesiones graves o muerte.

PRECAUCIÓN: Precaución significa que no seguir esta declaración de seguridad puede resultar en lesiones leves o moderadas, o daños a la propiedad o al equipo.

PELIGRO- RIESGO DE INCENDIO O EXPLOSIÓN. REFRIGERANTE INFLAMABLE UTILIZADO. SOLO PARA SER REPARADO POR PERSONAL DE SERVICIO CAPACITADO. NO PERFORE LA TUBERÍA DEL REFRIGERANTE.

Todos los mensajes de seguridad le alertarán sobre el peligro potencial, le dirán cómo reducir la posibilidad de lesiones y le informarán qué puede suceder si no se siguen las instrucciones.



INSTRUCCIONES DE SEGURIDAD IMPORTANTES

Antes de utilizar este refrigerador, debe colocarse e instalarse correctamente como se describe en este manual. Lea este manual con atención. Para reducir el riesgo de incendio, descarga eléctrica o lesiones al usar el aparato, siga las precauciones básicas, incluidas las siguientes:

- Conéctelo siempre a un tomacorriente de 3 clavijas con conexión a tierra. No retire la clavija de conexión a tierra, no utilice un adaptador y no utilice un cable de extensión.
- No lo utilice si el cable de alimentación está dañado. Si está dañado, no utilice el aparato. Comuníquese con el servicio al cliente de inmediato.

- Se recomienda utilizar un enchufe exclusivo para este refrigerador. Utilice enchufes que no se puedan apagar con un interruptor o cadena de tracción.
- Nunca limpie las partes del aparato con líquidos inflamables o productos químicos fuertes. Estos vapores pueden crear un riesgo de incendio o explosión.
- No almacene ni use gasolina u otros vapores y líquidos inflamables cerca de este refrigerador o cualquier otro electrodoméstico.
- Antes de continuar con las operaciones de limpieza y mantenimiento, asegúrese de desenchufar el aparato.
- No conecte ni desconecte el cable de alimentación con las manos mojadas.
- No intente reparar o reemplazar ninguna pieza de su electrodoméstico a menos que se recomiende específicamente en este manual. Todos los demás servicios solo deben ser recomendados por NewAir. Comuníquese con el servicio de atención al cliente si tiene algún problema con su refrigerador.

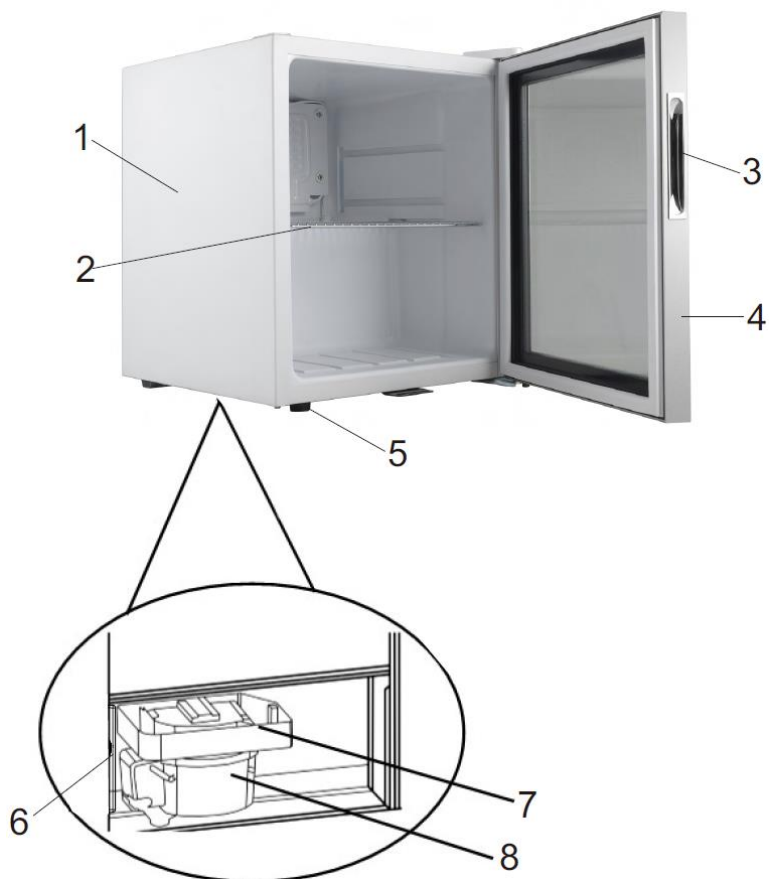


SIGA LOS MENSAJES DE ADVERTENCIA A CONTINUACIÓN SÓLO CUANDO SEA APLICABLE A SU MODELO

- Utilice dos o más personas para mover e instalar el refrigerador. El no hacerlo puede resultar en lesiones.
- Para garantizar una ventilación adecuada en su refrigerador, el frente debe estar completamente despejado. Elija un área bien ventilada con temperaturas superiores a 60 ° F (16 ° C) e inferiores a 90 ° F (32 ° C). Este refrigerador debe instalarse en un lugar protegido del viento, la lluvia o humedad de cualquier tipo.
- Este refrigerador no debe colocarse junto a hornos, parrillas o fuentes de calor similares.
- Este refrigerador debe instalarse con las conexiones eléctricas de acuerdo con los códigos estatales y locales.
- El fusible (o disyuntor) debe ser de 15 amperios.
- Es importante que el refrigerador esté nivelado para que funcione correctamente. Para una instalación estable, asegúrese de que el aparato esté colocado sobre una superficie plana, nivelada y sólida.
- Asegúrese de que la superficie sobre la que se coloca el aparato sea lo suficientemente resistente para soportar el peso combinado del refrigerador y los elementos almacenados en el interior.
- Este refrigerador no está diseñado para que lo utilicen personas (incluidos niños) con capacidades físicas, sensoriales o mentales reducidas, a menos que hayan recibido supervisión o instrucciones sobre el uso del electrodoméstico por una persona responsable de su seguridad y bajo su propio riesgo.

- Los niños pequeños deben ser supervisados para garantizar su seguridad alrededor de este refrigerador o cualquier aparato eléctrico.
- No use productos de limpieza a base de solventes o abrasivos en el interior. Estos limpiadores pueden dañar o decolorar el interior.
- Mantenga los dedos fuera de las áreas del "punto de pellizco". El espacio libre entre la puerta y el cuerpo del refrigerador es intencionadamente pequeño. Tenga cuidado al cerrar las puertas cuando haya niños cerca.
- El rango de temperatura de este refrigerador está optimizado para el almacenamiento de bebidas. Los alimentos perecederos pueden requerir un entorno de almacenamiento diferente.
- No ponga alimentos o bebidas calientes en el aparato.
- Cierre la puerta del refrigerador inmediatamente después de colocar cualquier artículo para mantener la temperatura interna relativamente constante.
- Evite colocar objetos encima del aparato.
- Este es un aparato eléctrico. Para evitar lesiones por descargas eléctricas, no opere la unidad con las manos mojadas, mientras esté parado sobre una superficie mojada o mientras esté parado en el agua. No lo use al aire libre o en condiciones húmedas.
- Al colocar o mover el aparato, asegúrese de que no esté al revés o inclinado más de 45 °
- Nunca tire del cable de alimentación para desconectarlo del tomacorriente. Tome el enchufe y sáquelo del tomacorriente.
- Nunca levante, transporte o arrastre el aparato por el cable de alimentación.
- Este aparato está diseñado para uso doméstico, no comercial. Cualquier otro uso anulará la garantía.
- No lo conecte a la toma de corriente antes de completar la configuración.
- No mueva este aparato sin vaciarlo y asegurar la puerta en una posición cerrada.

LISTA DE PARTES



1. Refrigerador
2. Repisa
3. Manija de la puerta
4. Marco de la puerta
5. Patas niveladoras (1 grande y 1 pequeña)
6. Control de temperatura (atrás)
7. Bandeja de goteo de condensación (atrás)
8. Compresor (atrás)

MONTAJE E INSTALACIÓN



Para reducir el riesgo de incendio, descarga eléctrica o lesiones al usar su electrodoméstico, siga estas precauciones básicas.
Lea todas las instrucciones antes de usar el aparato.

ADVERTENCIA: Un refrigerador de bebidas vacío puede ser peligroso para los niños o las mascotas pequeñas. Si se deshace del refrigerador de bebidas, retire los sellos de las juntas, los pestillos, las tapas y toda la puerta de su refrigerador sin usar, o tome otras medidas para asegurarse de que el refrigerador de bebidas sea inofensivo.

Nunca permita que los niños operen, jueguen o gateen dentro del aparato.

Nunca limpie las partes del aparato con líquidos inflamables o productos químicos fuertes. Los vapores pueden crear un riesgo de incendio o explosión.

No almacene ni use gasolina o cualquier otro vapor o líquido inflamable cerca de este o cualquier otro aparato eléctrico. Los vapores pueden crear un riesgo de incendio o explosión.

ANTES DEL PRIMER USO

- Retire el empaque exterior e interior.
- Antes de conectar el refrigerador a una fuente de alimentación, déjelo en posición vertical durante aproximadamente 24 horas. Esto reducirá la posibilidad de un mal funcionamiento en el sistema de enfriamiento debido a la manipulación durante el transporte.
- Limpiar la superficie interior con agua tibia con un paño suave.

INSTALACIÓN

- Este refrigerador está diseñado para su instalación independiente en una habitación seca y bien ventilada.
- **ADVERTENCIA: colocar bebidas contra el panel trasero del refrigerador puede provocar la rotura de latas o botellas debido a temperaturas excesivamente bajas. Deje siempre espacio para la circulación de aire entre el panel trasero y las bebidas.**
- **ADVERTENCIA:** No almacene ni instale el aparato al aire libre.
- **PRECAUCIÓN:** Este aparato está diseñado para almacenar y enfriar bebidas o vinos. No almacene alimentos, medicinas u otros productos médicos perecederos. No sobrecargue el interior del frigorífico.
- Coloque su electrodoméstico sobre un piso duro y nivelado que sea lo suficientemente fuerte como para soportarlo cuando esté completamente lleno.
- De ser necesario nivelar su electrodoméstico, ajuste las patas niveladoras en la parte inferior al nivel deseado.
- Deje al menos 5 pulgadas (127 mm) de espacio entre la parte posterior y los lados del aparato para que la circulación de aire sea adecuada para enfriar el compresor y el condensador.
- No instale el aparato sobre una alfombra.
- No instale el aparato cerca de un horno u otra fuente de calor. La luz solar directa puede afectar el revestimiento acrílico y las fuentes de calor pueden aumentar el consumo eléctrico. Para un mejor rendimiento, no instale el aparato detrás de la puerta de un gabinete o debajo de una encimera.
- Evite las temperaturas ambientales extremadamente calientes o frías, ya que pueden hacer que el refrigerador funcione mal. Instale solo en áreas con temperatura ambiente entre 60 ° F y 90 ° F
- Evite colocar el refrigerador en un área donde pueda estar expuesto al agua o al exceso de humedad.
- Enchufe el refrigerador en su propia toma de corriente con conexión a tierra. Bajo ninguna circunstancia, corte o retire la tercera clavija (tierra) del cable de alimentación. Cualquier pregunta relacionada con la alimentación y/o la conexión a tierra debe dirigirse a un electricista calificado o al servicio de atención al cliente.

CONEXIÓN ELÉCTRICA

ADVERTENCIA: *El uso inadecuado del enchufe con conexión a tierra puede resultar en riesgo de descarga eléctrica. Si el cable de alimentación está dañado, no utilice el aparato. Comuníquese con el servicio al cliente de NewAir de inmediato.*

- Este refrigerador requiere una toma de tierra estándar de 115/120 voltios CA ~ / 60Hz con un enchufe de tres clavijas.
- Llame a un electricista calificado que revise el tomacorriente de pared y el circuito para asegurarse de que el tomacorriente esté debidamente conectado a tierra. El cable debe estar asegurado detrás del electrodoméstico y no debe quedar expuesto o colgando para evitar lesiones accidentales.
- El refrigerador siempre debe estar enchufado a su propia toma de corriente individual que tenga una tensión nominal que coincida con la etiqueta de clasificación del aparato. Esto proporciona el mejor rendimiento y también evita la sobrecarga de los circuitos de cableado de la casa que podrían causar un riesgo de incendio por sobrecalentamiento.
- Nunca desenchufe el aparato tirando del cable de alimentación. Tome siempre el enchufe firmemente y tire hacia afuera del receptáculo.
- No utilice este refrigerador con un cable de extensión.

INVERSIÓN DE LA APERTURA DE LA PUERTA

Herramientas necesarias: destornillador de punta plana, destornillador de cabeza de estrella.

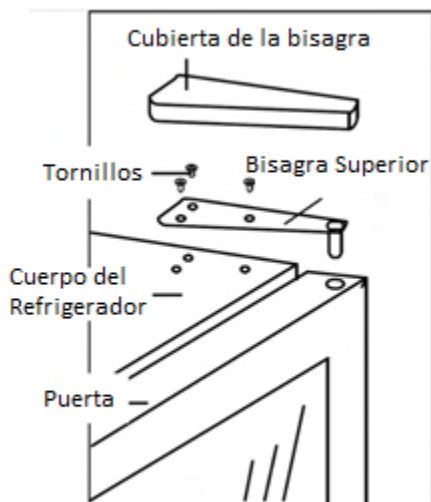
PRECAUCIÓN: Antes de comenzar, desenchufe el refrigerador de la corriente.

Para quitar la puerta:

1. Con un destornillador de punta plana, levante con cuidado la cubierta de la bisagra de plástico.
2. Con un destornillador de estrella, retire los tornillos y retire la bisagra superior. Mantenga las partes juntas y déjelas a un lado.
3. Levante la puerta de la bisagra inferior y déjela a un lado.
4. Quite la bisagra inferior quitando los tornillos con un destornillador Phillips.

Para reinstalar la puerta:

1. Con un destornillador de punta plana, retire los tapones y la tapa de la esquina opuesta de la parte frontal superior del refrigerador. Dejar de lado.
2. Instale la bisagra inferior en la esquina opuesta y apriete los tornillos.
3. Coloque la puerta en la bisagra inferior.
4. Alinee la puerta con la bisagra inferior e instale la bisagra superior.
5. Introduzca los tapones y las tapas en los orificios correspondientes del inserto de bisagra original.

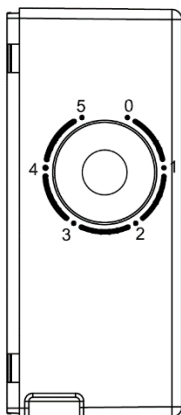


INSTRUCCIONES DE USO

Se recomienda que instale el aparato en un lugar donde la temperatura ambiente sea superior a 60 ° F (16 ° C) e inferior a 90 ° F (32 ° C). Si la temperatura ambiente es superior o inferior a las recomendadas, es posible que el refrigerador no funcione bien.

AJUSTE DE LA TEMPERATURA

Para controlar la temperatura interna, gire la perilla de control de temperatura en la parte posterior del refrigerador. El rango de temperatura es de "0" a "5", donde "5" es la configuración de temperatura más fría y "0" es la configuración de temperatura más cálida.



DESCONGELACION

En la mayoría de las condiciones, no es necesario descongelar el aparato. En temperaturas ambiente frías y / o alta humedad, puede acumularse algo de escarcha. Para descongelar el electrodoméstico, coloque el selector del termostato en "0", retire los artículos congelados o perecederos y la unidad debe descongelarse después de unas horas. Después de descongelar, regrese la perilla de termostato a la posición deseada. Para una descongelación más rápida, retire todos los elementos del electrodoméstico, desenchufe el electrodoméstico y deje la puerta abierta. Nunca use un cuchillo u otro instrumento metálico para raspar el hielo / escarcha del interior de la unidad.

RUIDOS DEL REFRIGERADOR

Los siguientes ruidos son normales y ocurren de vez en cuando:

- Sonido de gorgoteo causado por el refrigerante que fluye a través de las bobinas del aparato.
- Zumbido producido por el compresor. Este ruido puede aumentar durante breves períodos cuando el motor se enciende.
- Sonidos de crujidos / estallidos, resultantes de la contracción y expansión de los materiales debido a variaciones de temperatura
- Rotación del ventilador interno, para hacer circular el aire dentro del gabinete del refrigerador.

Si escucha un ruido que no parece estar incluido en la lista anterior, o parece anormal, su unidad puede estar instalada incorrectamente o puede estar defectuosa. Comuníquese con el servicio de atención al cliente de inmediato si escucha algún ruido que le preocupe.

LIMPIEZA Y MANTENIMIENTO

PREPARACIÓN PARA EL ALMACENAMIENTO A LARGO PLAZO

Si el frigorífico no se utilizará durante mucho tiempo, será necesario descongelar la unidad y secar completamente el interior.

1. Desconecte el refrigerador de la fuente de alimentación quitando el enchufe de la toma de corriente.

ADVERTENCIA: No toque el enchufe con las manos mojadas. Nunca desenchufe la unidad tirando del cable.

2. Deje la puerta abierta hasta que la unidad esté completamente seca por dentro. Coloque una toalla en la parte inferior del interior de la unidad para evitar fugas al piso.

PRECAUCIÓN: Guarde la unidad fuera del alcance de los niños. Si tiene niños, es posible que desee tomar precauciones adicionales, como quitar la puerta.

LIMPIEZA DEL REFRIGERADOR

- Desconéctese de la corriente y retire todos los elementos, incluidos los estantes.
- Limpie el interior con una solución de agua tibia y bicarbonato de sodio. La solución debe contener aproximadamente 2 cucharadas de bicarbonato de sodio en un litro de agua.
- Limpia los estantes con una solución de detergente suave.
- Limpia el exterior del refrigerador con agua tibia y un detergente líquido suave.
- No use un estropajo o un cepillo de acero en la superficie de acero inoxidable. Estos erosionarán el acero inoxidable y lo oxidarán.

PRECAUCIÓN: Si no desconecta el aparato antes de limpiarlo, podría provocar una descarga eléctrica o lesiones.

MOVER EL REFRIGERADOR

- Retire todos los elementos del interior del aparato.
- Deje la puerta abierta hasta que la unidad esté completamente seca por dentro. Coloque una toalla en la parte inferior del interior de la unidad para evitar fugas al piso.
- Asegure firmemente las repisas dentro de la unidad y cierre la puerta con cinta adhesiva.
- Gire las patas ajustables hacia arriba en la base para evitar dañarlas.
- Mantenga el refrigerador erguido durante todo el transporte.

SOLUCIÓN DE PROBLEMAS

Problema	Posibles Causas	Solución
El refrigerador no funciona.	<ul style="list-style-type: none"> ● Hay un corte de energía ● El refrigerador no está conectado ● Se ha fundido un fusible de la casa o se ha disparado el disyuntor 	<ul style="list-style-type: none"> ● Asegúrese de que el refrigerador esté enchufado y que la toma de corriente funcione ● Reemplace el fusible roto o reinicie el disyuntor
El refrigerador no está lo suficientemente frío.	<ul style="list-style-type: none"> ● El refrigerador está demasiado cerca de una fuente de calor. ● La puerta se abre con demasiada frecuencia. ● La puerta no está completamente cerrada ● La junta de la puerta no sella correctamente 	<ul style="list-style-type: none"> ● Ajuste la temperatura ● Mantenga el refrigerador alejado de la luz solar u otras fuentes de calor. ● Cierre la puerta correctamente y no abra la puerta con demasiada frecuencia o durante un período de tiempo prolongado. ● Asegúrese de que la junta de la puerta no esté suelta
La nevera se enciende y apaga sola con frecuencia.	<ul style="list-style-type: none"> ● La temperatura ambiente es demasiado baja o alta ● El interior del refrigerador está abarrotado de artículos. ● La puerta se abre con demasiada frecuencia. ● La puerta no está completamente cerrada ● La junta de la puerta no sella correctamente 	<ul style="list-style-type: none"> ● Disminuir o aumentar la temperatura ambiente ● Evite sobrecargar el interior del refrigerador ● Cierre la puerta correctamente y no abra la puerta con demasiada frecuencia o durante un período de tiempo prolongado. ● Asegúrese de que la junta de la puerta no esté suelta ● Es normal que el ventilador se encienda y apague para hacer circular el aire dentro de la unidad para una distribución uniforme de la temperatura y ahorrar energía.

<p>El refrigerador hace demasiado ruido.</p>	<ul style="list-style-type: none"> ● Los ruidos son parte del funcionamiento normal (ver arriba) ● La unidad no ha sido instalada correctamente ● La unidad no funciona 	<ul style="list-style-type: none"> ● Es normal que a medida que finaliza cada ciclo de enfriamiento, es posible que escuche traqueteos o gorgoteos causados por el flujo de refrigerante en el aparato. El compresor de alta eficiencia puede producir un sonido pulsante o agudo. ● Algunos ruidos de estallidos o crujidos son normales. Son causadas por la expansión y contracción de las paredes internas debido a cambios de temperatura. ● Asegúrese de que el refrigerador esté sobre una superficie dura y nivelada. No coloque la nevera sobre una alfombra
<p>La puerta no cierra correctamente.</p>	<ul style="list-style-type: none"> ● El refrigerador no está nivelado ● La puerta se invirtió y no se instaló correctamente ● Los estantes están fuera de posición 	<ul style="list-style-type: none"> ● Asegúrese de que el refrigerador esté sobre una superficie dura y nivelada. Evite colocar el refrigerador sobre una superficie blanda o alfombrada. ● Vuelva a instalar la puerta ● Instale correctamente los estantes
<p>La condensación se acumula en la puerta de vidrio.</p>	<ul style="list-style-type: none"> ● La temperatura ambiente o la humedad son demasiado altas. 	<ul style="list-style-type: none"> ● Reduzca la humedad / temperatura de la habitación utilizando un deshumidificador o aire acondicionado.
<p>El refrigerador se congela a menudo.</p>	<ul style="list-style-type: none"> ● La puerta no se cerró completamente ● La junta de la puerta no sella ● Use un destornillador para aflojar los tornillos 	<ul style="list-style-type: none"> ● Cierre la puerta correctamente y no abra la puerta con demasiada frecuencia o durante un período de tiempo prolongado.

	<p>para reposicionar la puerta / bisagra y apriete los tornillos</p> <ul style="list-style-type: none">● La temperatura ambiente o la humedad es demasiado alta	<ul style="list-style-type: none">● Vuelva a instalar la puerta● Asegúrese de que la junta de la puerta no esté suelta● Baje la humedad / temperatura de la habitación con un deshumidificador o aire acondicionado.
--	---	--

GARANTIA DEL FABRICANTE

Este aparato está cubierto por una garantía limitada del fabricante. Durante un año a partir de la fecha original de compra, el fabricante reparará o reemplazará cualquier pieza de este electrodoméstico que demuestre tener defectos de materiales y mano de obra, siempre que el electrodoméstico se haya utilizado en las condiciones de funcionamiento normales previstas por el fabricante.

Términos de garantía:

Durante el primer año, cualquier componente de este electrodoméstico que se encuentre defectuoso debido a los materiales o la mano de obra será reparado o reemplazado, a discreción del fabricante, sin cargo para el comprador original. El comprador será responsable de los gastos de traslado o transporte.

Exclusiones de garantía:

La garantía no se aplicará si el daño es causado por cualquiera de los siguientes:

- Fallo de alimentación
- Daños durante el transporte o al mover el aparato
- Suministro de energía inadecuado, como bajo voltaje, cableado doméstico defectuoso o fusibles inadecuados
- Accidente, alteración, mal uso o abuso del aparato como el uso de accesorios no aprobados, circulación de aire inadecuada en la habitación o condiciones de funcionamiento anormales (temperaturas extremas)
- Uso en aplicaciones comerciales o industriales
- Incendio, daños por agua, robo, guerra, disturbios, hostilidad o casos fortuitos como huracanes, inundaciones, etc.
- Uso de fuerza o daño causado por influencias externas
- Aparatos parcial o totalmente desmontados
- Exceso de desgaste por parte del usuario

Obtención del servicio:

Cuando haga un reclamo de garantía, tenga disponible la factura de compra original con la fecha de compra. Una vez confirmado que su electrodoméstico es elegible para el servicio de garantía, todas las reparaciones serán realizadas por un centro de reparación autorizado de NewAir™. El comprador será responsable de los gastos de traslado o transporte. Las piezas y / o unidades de reemplazo serán nuevas, refabricadas o reacondicionadas y están sujetas a la discreción del fabricante. Para soporte técnico y servicio de garantía, envíe un correo electrónico a support@newairusa.com.