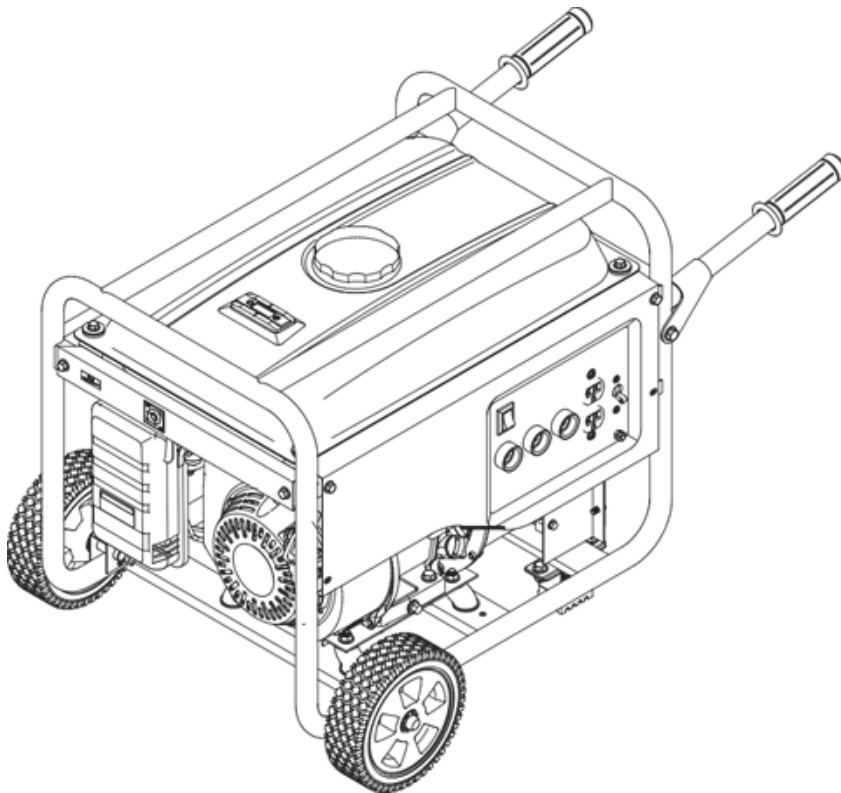


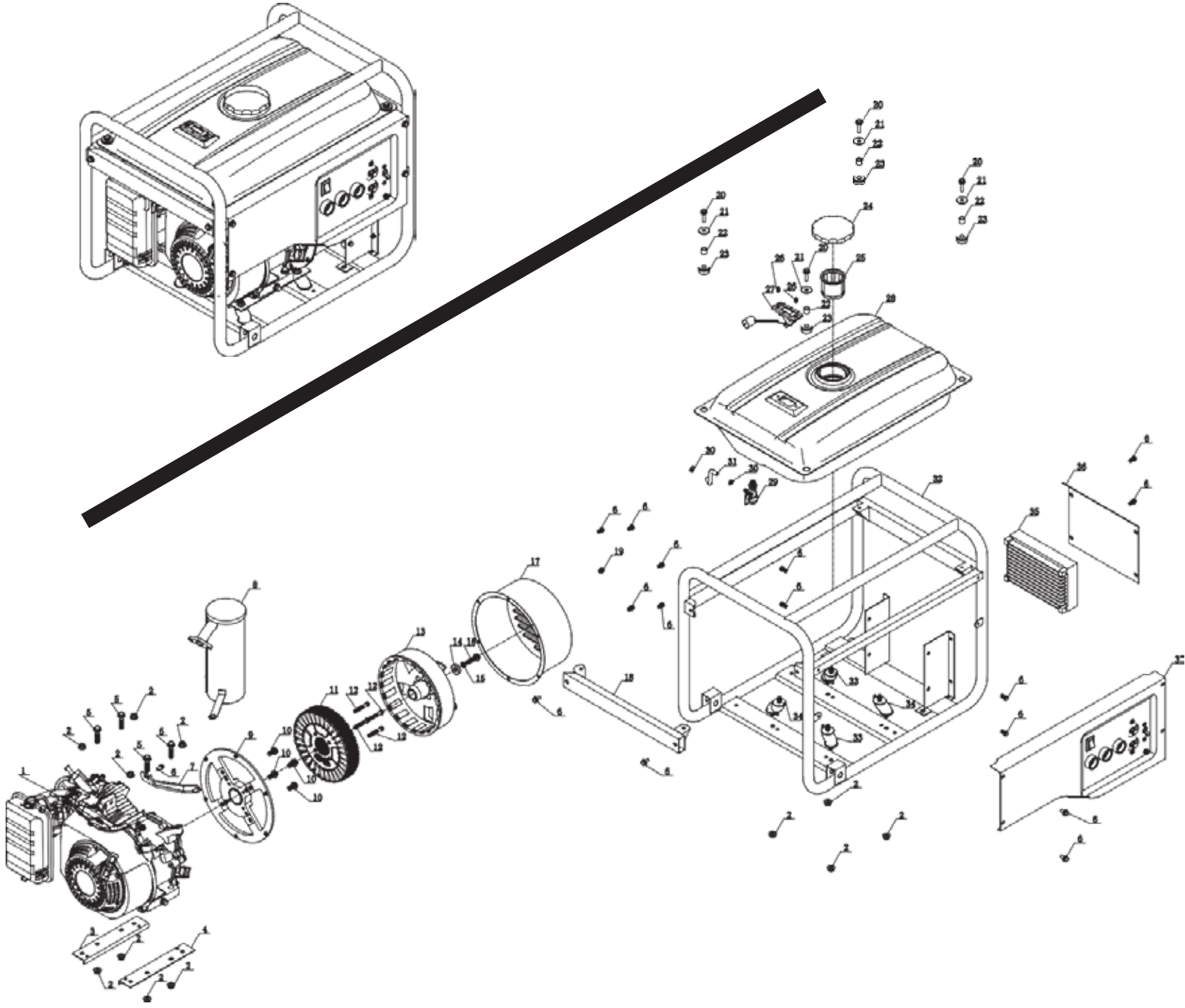
# TOMAHAWK

**TWG120A  
WELDER GENERATOR**

**Parts Manual**



# ROTOR AND FRAME ASSEMBLY



## ROTOR AND FRAME ASSEMBLY

No.	Code	Description	Qty.
1	70F.00.0000(A)	170F Engine	1
2	GB/T 6177	Hex nut,flange M8	12
3	DC120.40.0001	Back bracket	1
4	DC120.40.0002	Front bracket	1
5	GB/T 5787	Hex nut,flange M8X35	4
6	GB/T 5787	Hex nut,flange M6X12	20
7	DC120.40.0003	Stay,air cleaner	1
8	DC120.50.0000	Muffler comp.	1
9	DC120.10.0001	Housing	1
10	GB/T 5787	Hex nut,flange M8X16	4
11	DC120.10.1000	Stator	1
12	GB/T 5787	Hex nut,flange M6X40	4
13	DC120.10.2000	Rotor	1
14	DC120.10.0002	Washer	1
15	GB/T 93	Spring washer8	1
16	DC120.10.0003	Hex nut,flange M8X1X30	1
17	DC120.10.0001	Cover	1
18	DC120.40.2000	Bracket	1
19	GB/T 5787	Hex nut,flange M6X8	1
20	GB/T 5787	Hex nut,flange M6X25	4
21	DC120.60.0001	Washer 6X25X1	4
22	DC120.60.0002	Collar,tank cushion 12X12	4
23	DC120.60.0003	Rubber,tank cushion	4
24	DC120.60.2000	Cap comp.	1
25	DC120.60.0004	Filter comp.	1
26	GB/T 819	Screw,flat M5X10	2
27	DC120.60.3000	Fuel meter assy.	1
28	DC120.60.1000	Fuel tank	1
29	DC120.60.4000	Fuel cock assy.	1
30	DC120.60.0004	Tube clip	2
31	DC120.60.0005	Tube	1
32	DC120.40.1000	Frame comp.	1
33	DC120.40.0004	Rubber,Bottom I	2
34	DC120.40.0005	Rubber,Bottom II	2
35	DC120.20.1000	Control system,inverter	1
36	DC120.20.0001	Control panel	1
37	DC120.30.0000	Plate	1



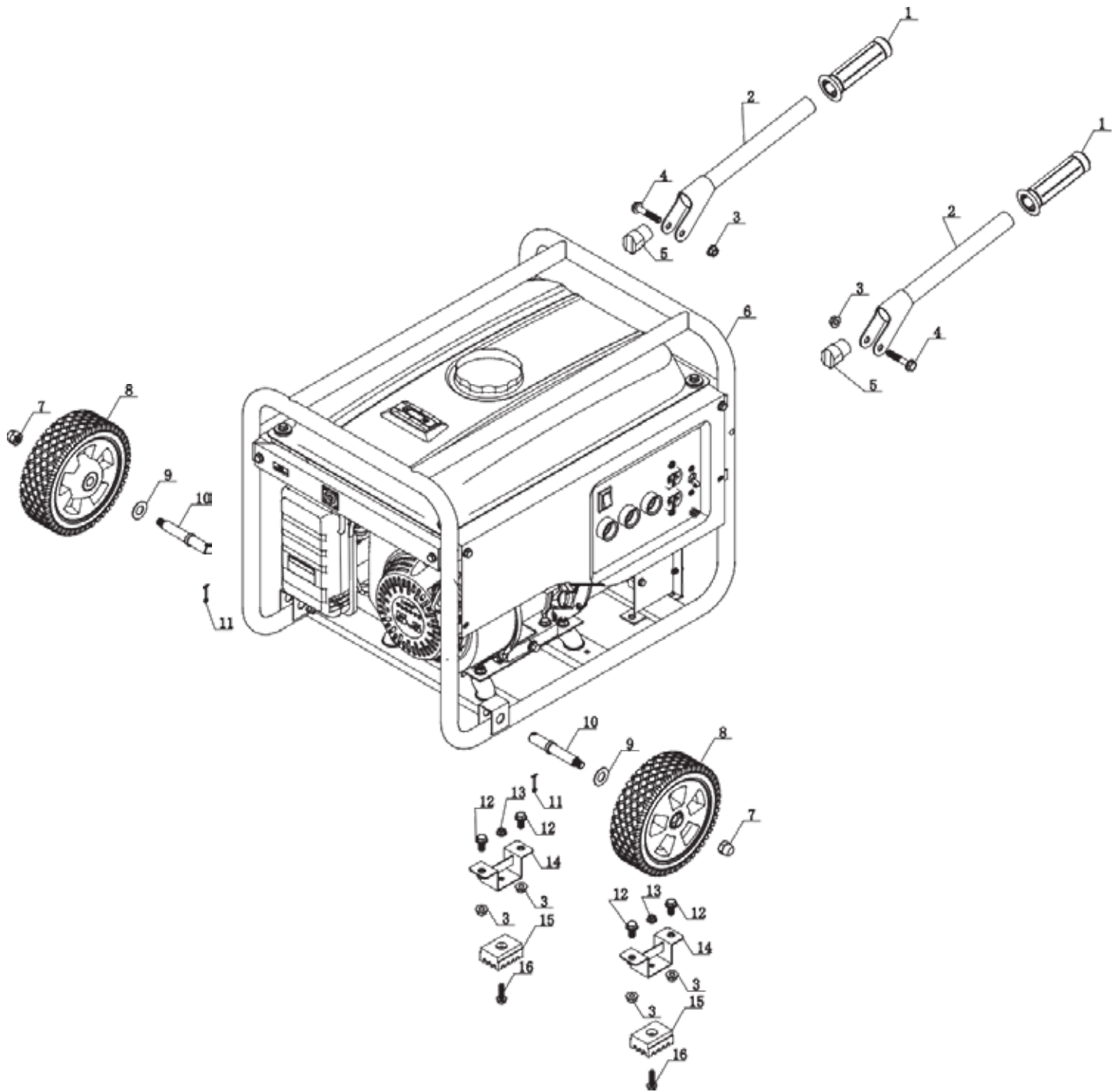
## ENGINE ASSEMBLY

No.	Code	Description	Qty.
1	GB/T 5787	Hex nut,flange M8X32	6
2	70F.01.0002	Oil seal 41.25X25X6	2
3	70F.01.2100	Cap,oil filter	2
4	70F.01.2001 (A)	Crankcase cover	1
5	70F.01.0001	Packing,case cover	1
6	GB/T 276	Bearing 6205/P6	2
7	70F.05.1000	Crankshaft comp.	1
8	70F.02.2000	Connecting rod assy.	1
9	70F.02.1003	Cilp,piston pin	2
10	70F.02.1001	Piston	1
11	70F.02.1004/1005/1100	Piston ring set	1
11-1	70F.02.1004		1
11-2	70F.02.1005		1
11-3	70F.02.1100		1
12	70F.02.1002	Piston pin	1
13	70F.09.0002	Push rod	2
14	70F.09.0001	Valve lifter	2
15	70F.04.0000(A)	Camshaft assy.	1
16	70F.50.1002	Slider,governor	1
17	70F.50.0004	Washer 15X6.1X0.5	2
18	70F.50.0002	Clip,governor holder	1
19	70F.50.0001	Governor pin	1
20	70F.50.1000	Governor assy.	1
21	70F.50.0003	Washer 12.8X6.1X1	1
22	GB/T 5787	Hex nut,flange M6X14	2
23	70F.40.1000	Oil sensor	1
24	70F.01.0003	Dowel pin 8X14	2
25	70F.01.1000	Barrel,assy.,cylinder	1
26	GB/T 5787	Hex nut,flange M6X7	1
27	70F.40.2000	Alert unit	1
28	70F.01.0004	Bolt M10X1.25X15	2
29	70F.01.0005	Washer 15X10X1	2
30	70F.34.0001	Clip	1
31	70F.01.3000	Plate	1
32	GB/T 5787	Hex nut,flange M6X16	1
33	GB/T 5787	Hex nut,flange M6X22	2
34	70F.06.0001	Ignition coil	1
35	70F.05.2000	Flywheel	1
36	70F.05.0001	Cooling fan	1
37	70F.05.0002	Pulley,starter	1
38	70F.05.0003	Nut M14X1.5	1
39	70F.30.0001(A)	Fan cover	1
40	GB/T 5787	Hex nut,flange M6X12	12
41	GB/T 5787	Hex nut,flange M6X8	3

## ENGINE ASSEMBLY

No.	Code	Description	Qty.
42	70F.30.1000	Recoil starter	1
43	70F.51.0001	Shaft, Governor arm	1
44	70F.51.0003	Lock pin	1
45	GB/T 6177	Hex nut, flange M6	3
46	70F.51.0004	Governor arm	1
47	70F.51.0005	Bolt M6X21	1
48	70F.51.0007(A)	Spring, governor	1
49	70F.53.0000(A)	Control assy.	1
50	70F.51.0008	Spring, throttle return	1
51	70F.51.0006	Governor rod	1
52	70F.07.0012	Dowel pin 10X16	2
53	70F.07.0001	Valve, In.	1
54	70F.07.0002	Valve, Ex.	1
55	70F.60.0001	Plate	1
56	70F.07.0011	Cylinder head	1
57	70F.07.0008	Bolt M8X32	2
58	GB/T 6177	Hex nut, flange M8	2
59	70F.07.1000	Cylinder head	1
60	70F.07.0007(A)	Bolt M6X90	2
61	70F.07.0010	Packing, air cleaner	1
62	70F.10.0001	Insulator	1
63	70F.10.0003	Packing, carburetor	1
64	70F.10.1000(A)	Carburetor	1
65	70F.03.0002(A)	Tube	1
66	70F.20.0001(A)	Air cleaner	1
67	70F.20.1000(A)	Packing	1
67-1	70F.20.1001(A)	Base comp.	1
67-2	70F.20.1002(A)	Case comp.	1
67-3	70F.20.1003(A)	Element, air cleaner	1
67-4	70F.20.1004(A)	Cover, air cleaner	1
68	70F.07.0015	Seal, valve	1
69	70F.07.0003	Spring, valve	2
70	70F.07.0005	Retainer	2
71	70F.07.0006	Rotator, valve	2
72	70F.07.0014	Guide, push rod	1
73	70F.07.2002	Bolt, pivot	2
74	70F.07.2001	Arm, valve rocker	2
75	70F.07.2004	Pivot	2
76	70F.07.2003	Nut	2
77	70F.07.0013	Bolt M8X60	4
78	70F.06.2000	Spark plug	1
79	70F.03.0001	Packing, head cover	1
80	70F.03.1000	Cover comp.	1
81	70F.07.0009	Packing	1

# HANDLES AND WHEELS ASSEMBLY



## HANDLES AND WHEELS ASSEMBLY

No.	Code	Description	Qty.
1	DC120.60.1001	Grip,handle	2
2	DC120.60.1002	Handle comp.	2
3	GB/T 6177	Hex nut,flange M8	6
4	GB/T 5787	Hex nut,flange M8X45	2
5	DC120.60.1003	Rubber,handle	2
6	DC120.00.0000	Welder generator	1
7	GB/T 923	Nut M10	2
8	DC120.60.2000	Wheel comp.	2
9	DC120.60.0001	Washer 14X28X1.5	2
10	DC120.60.0001	Shaft comp.wheel	2
11	GB/T 91	Pin 3X50	2
12	GB/T 5787	Hex nut,flange M8X16	4
13	GB/T 6177	Hex nut,flange M6	2
14	DC120.60.0002	Stand	2
15	DC120.60.0003	Rubber	2
16	GB/T 5787	Hex nut,flange M6X25	2





## Power Your World

Tomahawk understands to keep a job-site running smoothly the proper equipment and spare parts are needed at the drop of a hat. With same day shipping and faster delivery times, count on Tomahawk to keep you powered throughout the day! With long lasting parts and engines, Tomahawk equipment will be the star of your fleet for years to come. Visit [www.tomahawk-power.com](http://www.tomahawk-power.com) to get started today!

# TOMAHAWK

Tomahawk Power, LLC  
San Diego, CA

**Sales Support**  
(866) 577-4476  
[sales@tomahawk-power.com](mailto:sales@tomahawk-power.com)

**Equipment Support**  
(866) 577-4476  
[support@tomahawk-power.com](mailto:support@tomahawk-power.com)

[www.tomahawk-power.com](http://www.tomahawk-power.com)



**FACEBOOK**  
[facebook.com/TomahawkPowerUSA](https://facebook.com/TomahawkPowerUSA)

**YOUTUBE**  
[youtube.com/TomahawkPower](https://youtube.com/TomahawkPower)

**INSTAGRAM**  
[@tomahawkpower](https://instagram.com/tomahawkpower)