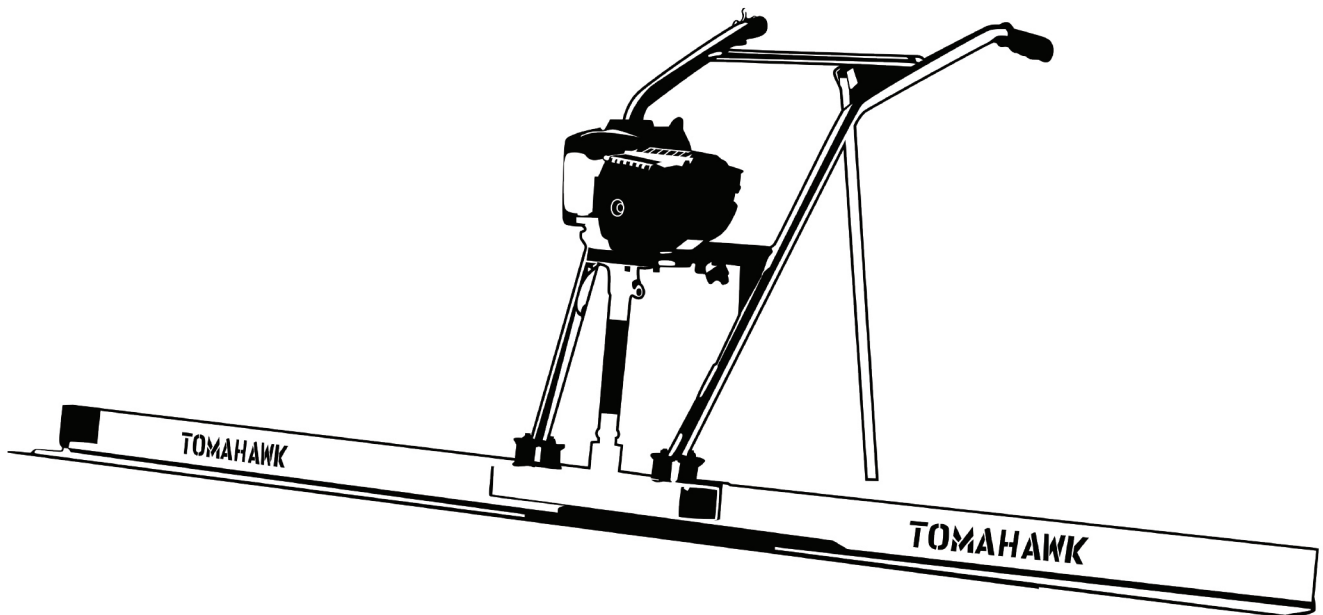


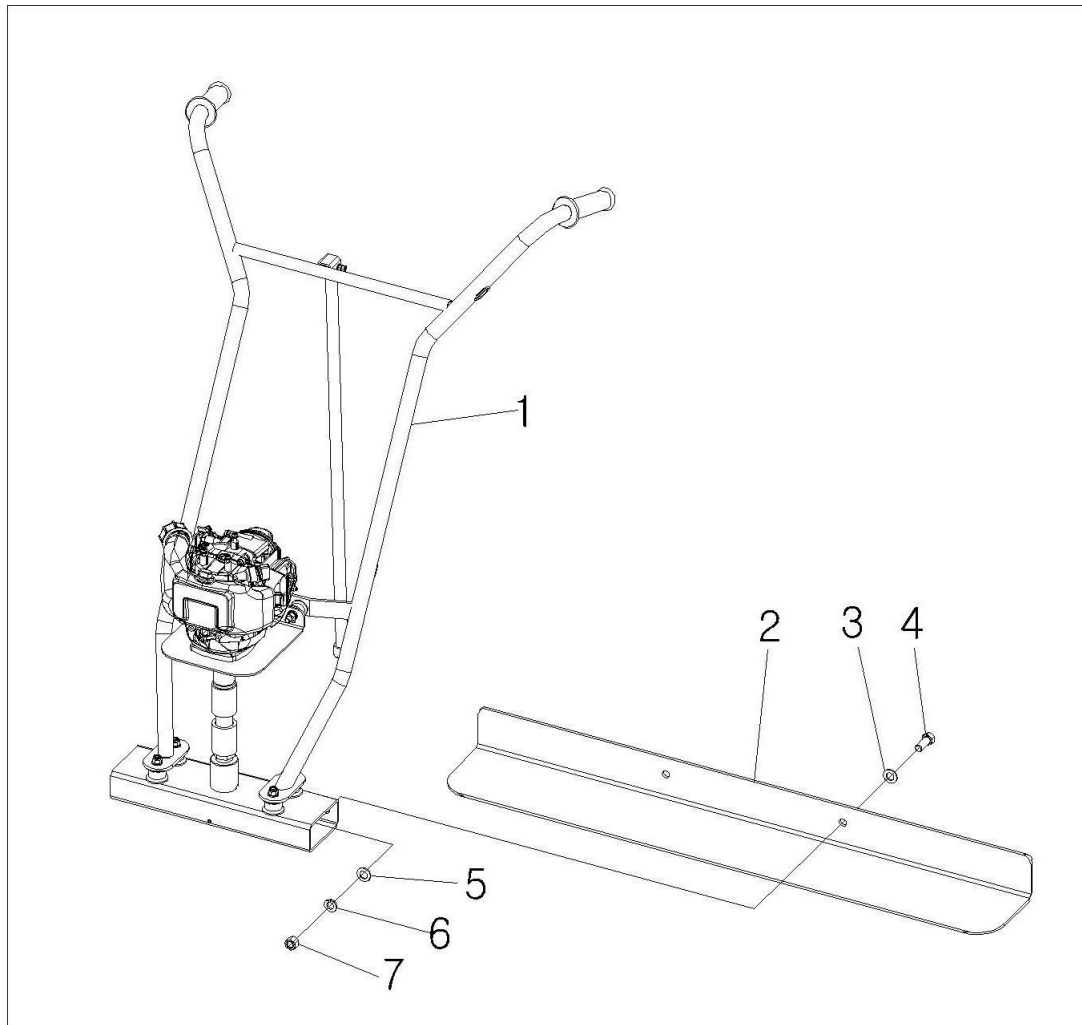
# TOMAHAWK

TVSA-T  
POWER SCREED

Parts Manual

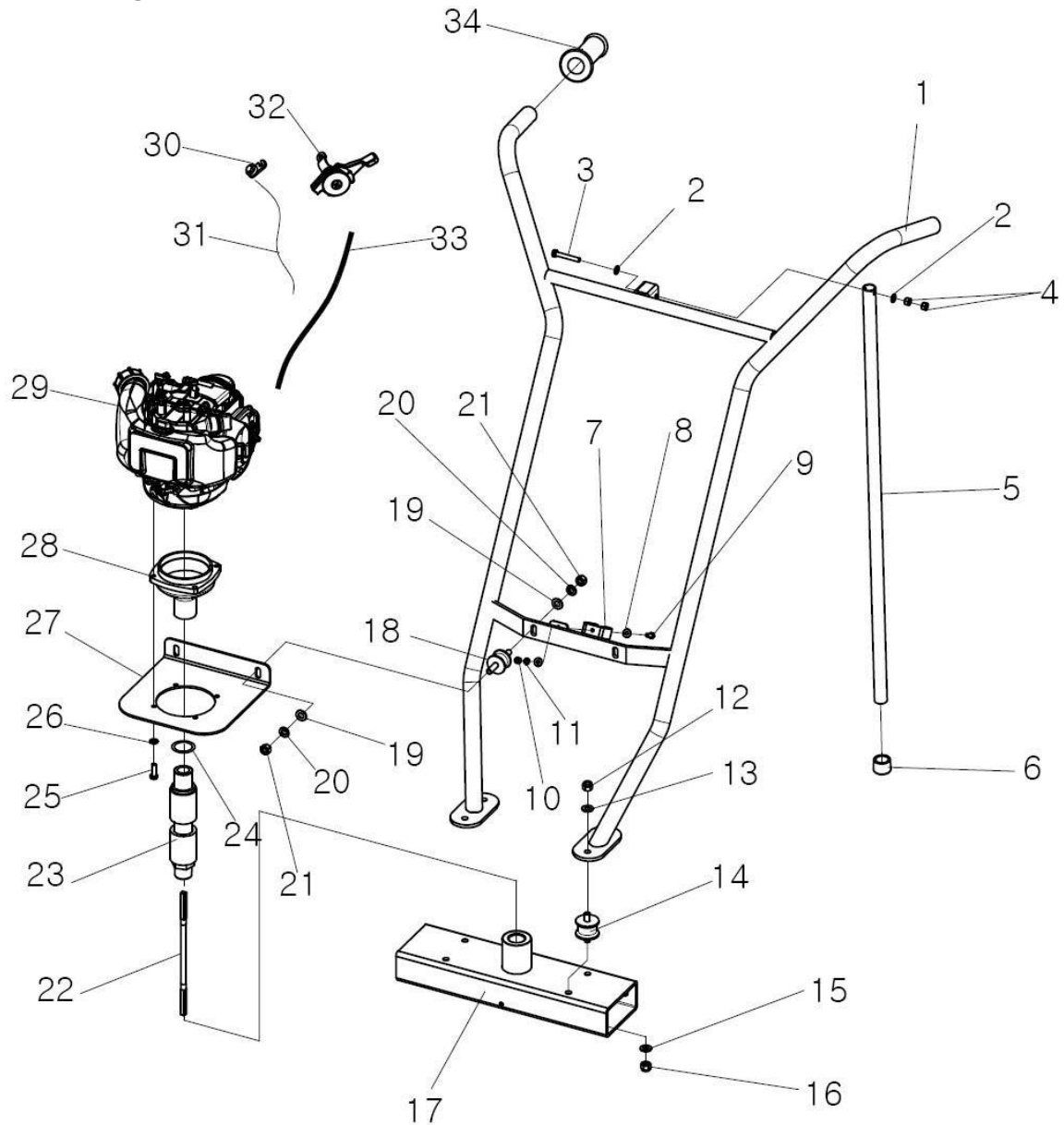


## Screed Assembly TVSA-T



No.	Descriptions	Qty	Size or Dimension
1	Vibrator Screed	1	
2	Screed Board 8 Feet	1	8ft
	Screed Board 10 Feet	1	10ft
	Screed Board 12 Feet	1	12ft
	Screed Board 14 Feet	1	14ft
3	Plain Washer	2	M12
4	Bolt	2	M12x30
5	Plain Washer	2	M12
6	Spring Washer	2	M12
7	Cap Nut	2	M12

## Explosion Diagram TVSA-T



No.	Descriptions	Qty	Size or Dimension
1	Handle Welding Assembly	1	
2	Plain Washer	2	
3	Bolt	1	M6*40L
4	Nut	2	M6
5	Handle Support Pipe	1	
6	Handle Support Pipe Rubber	1	
7	Clip	1	

No.	Descriptions	Qty	Size or Dimension
8	Plain Washer	2	M5
9	Bolt	1	M5x15
10	Nut	1	M5
11	Spring Washer	1	M5
12	Cap Nut	4	M8
13	Plain Washer	4	M8
14	Handle Support Rubber	4	
15	Plain Washer	4	M8
16	Cap Nut	4	M8
17	Vibratory Housing Assembly	1	
18	Handle Support Rubber	2	
19	Plain Washer	4	M8
20	Spring Washer	4	M8
21	Nut	4	M8
22	Wire	1	
23	Hose Assembly	1	
24	O-Ring	1	P20
25	Bolt	4	M6x20L
26	Spring Washer	4	M6
27	Engine Plate	1	
28	Clutch Housing Assembly	1	
29	Engine	1	Tomahawk 37.7cc
30	Engine Stop Switch	1	
31	Engine Electric Stop Wire	1	
32	Throttle Lever Lever	1	
33	Throttle Lever W/ Cable	1	
34	Handle Rubber	2	

# **TOMAHAWK**

[www.tomahawk-power.com](http://www.tomahawk-power.com)

**Customer Service**

(866) 577-4476

[sales@tomahawk-power.com](mailto:sales@tomahawk-power.com)

San Diego, California USA

© Tomahawk Power, LLC. All rights reserved. Tomahawk Power logos are registered trademarks, or trademarks, of Tomahawk Power, LLC. in the U.S. and/or other countries.