



TOMAHAWK

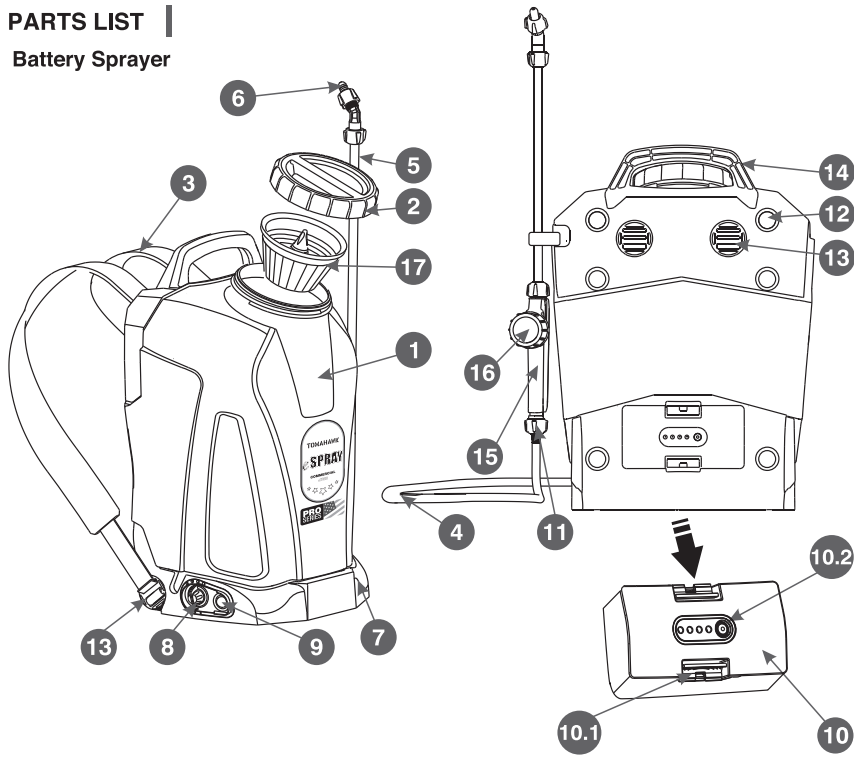
Parts Manual
18 Liter Battery Power Backpack Sprayer



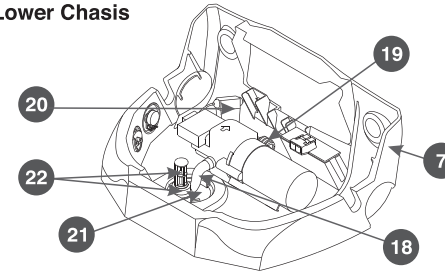
PR FMG CMP TMK-900-V00



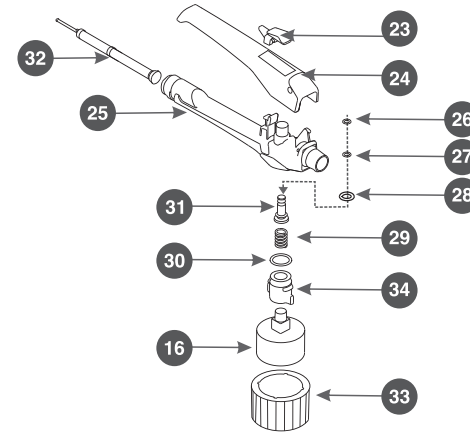
PARTS LIST |
Battery Sprayer



Lower Chassis



Handle



| No. | Item |
|------|--------------------------|
| 1. | Tank |
| 2. | Tank lid |
| 3. | Straps |
| 4. | Hose |
| 5. | Wand |
| 6. | Nozzle |
| 7. | Lower chassis |
| 8. | Knob |
| 9. | Switch |
| 10. | Battery |
| 10.1 | Battery lock |
| 10.2 | Indicator button |
| 11. | Hose nut |
| 12. | Screws |
| 13. | Strap holder |
| 14. | Upper chassis |
| 15. | Valve |
| 16. | Pressure gauge |
| 17. | Tank filter |
| 18. | Output connector |
| 19. | Pump outlet elbow |
| 20. | Fuse holder |
| 21. | Output connector lid |
| 22. | Filter and filter holder |
| 23. | Lock |
| 24. | Handle |
| 25. | Key |
| 26. | O'ring RC-352 |
| 27. | O'ring RC-352 |
| 28. | O'ring RC-EC06 |
| 29. | Spring |
| 30. | O'ring RM-106 |
| 31. | Stem |
| 32. | Mesh key filter |
| 33. | Pressure gauge protector |
| 34. | Lid |



| PARTS LIST | | | |
|------------|---------------|--------------------------|---------------|
| N° | PART | DESCRIPTION | SPARE PART |
| 1 | Tank | 18 Liter Tank | TMK-200-18X |
| 2 | Tank Lid | Red Tank Lid | TMK-202X |
| | | Diaphragm Ventilation | |
| | | Gasket container lid | |
| 3 | Straps | Padded Straps | TMK-700EX |
| 4 | Hose | Hose Assembly | TMK-305X |
| | | Hose nut | |
| | | 1/4 hose fitting | |
| | | O-ring RC-124 | |
| | | 1/4 spine coupling | |
| 5 | Wand | Stainless steel clamp | TMK-347EX-INX |
| | | Wand Assembly | |
| | | Plastic nut | |
| | | Trapezoidal packing | |
| 8 | Knob | Knob | TMK-622X |
| 10 | Battery | Lithium Battery 12v 7a/H | TMK-B12V7AHX |
| 12 | Screws | Tank Screws | TMK-604X |
| 13 | Strap Holder | Strap Holder | TMK-603X |
| 14 | Upper Chassis | Upper Chassis | TMK-602X |
| | | Wand Support | TMK-845X |

| PARTS LIST | | | |
|------------|-------------------|--------------------------|-----------------|
| N° | PART | DESCRIPTION | SPARE PART |
| 15 | LP Valve | Plastic Wand Valve | TMK-920ELPNX |
| 16 | Pressure Gauge | Pressure Gauge 0-100 PSI | TMK-900X |
| | | Plug | |
| | | Protector | |
| 17 | Tank Filter | Tank Filter | TMK-201X |
| 18 | Outlet Cover | Outlet Connector Cover | TMK-123X |
| 19 | Pump Outlet Elbow | Pump Outlet Elbow | TMK-522X |
| | | 2 Stainless Steel Clamps | |
| 20 | Fuse | Fuse ATO 5A 32V DC | TMK-A3F5AX |
| 21 | Outlet Connector | Outlet Connector | TMK-203X |
| 22 | Tank Filter | Pump Filter | TMK-121X |
| | Charger | Lithium Battery Charger | TMK-CRG12V1.5AX |