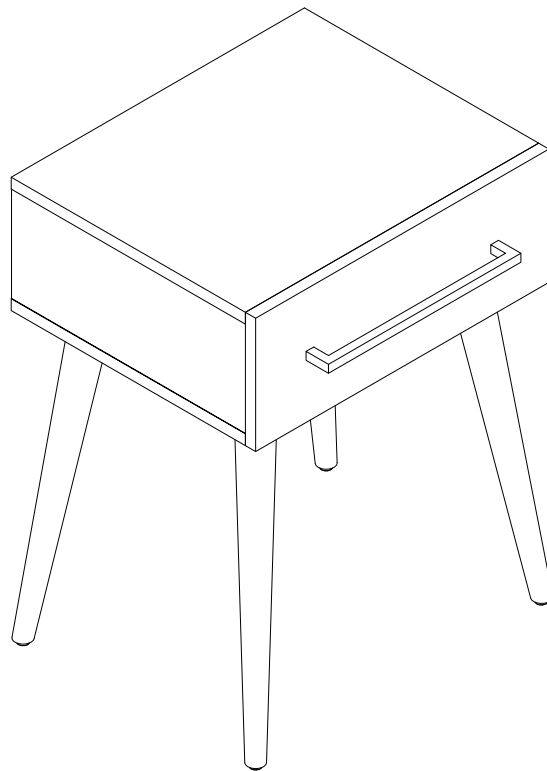


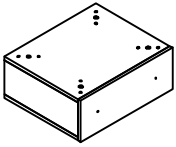

CROSLEY

FURNITURE



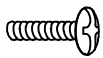
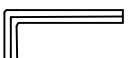
End Table CF6125



PART LIST

<div data-bbox="103 145 151 190" style="border: 1px solid black; padding: 2px;">A</div> 	<div data-bbox="383 145 430 190" style="border: 1px solid black; padding: 2px;">B</div> 
<p style="text-align: center;">Top Panel</p> <p style="text-align: center;">1 PC</p>	<p style="text-align: center;">Leg</p> <p style="text-align: center;">4 PCS</p>

HARDWARE LIST

<div data-bbox="95 689 151 734" style="border: 1px solid black; padding: 2px;">#1</div>  <p style="text-align: center;">M6x15</p>	<div data-bbox="379 689 435 734" style="border: 1px solid black; padding: 2px;">#2</div> 	<div data-bbox="659 689 715 734" style="border: 1px solid black; padding: 2px;">#3</div>  <p style="text-align: center;">Ø9mmx5/32"x1"</p>	<div data-bbox="938 689 994 734" style="border: 1px solid black; padding: 2px;">#4</div>  <p style="text-align: center;">M4</p>
<p style="text-align: center;">Bolt</p> <p style="text-align: center;">8 PCS (Extra 1)</p>	<p style="text-align: center;">Handle</p> <p style="text-align: center;">1 PC</p>	<p style="text-align: center;">Round Head Bolt</p> <p style="text-align: center;">2 PCS</p>	<p style="text-align: center;">Allen Wrench</p> <p style="text-align: center;">1 PC</p>

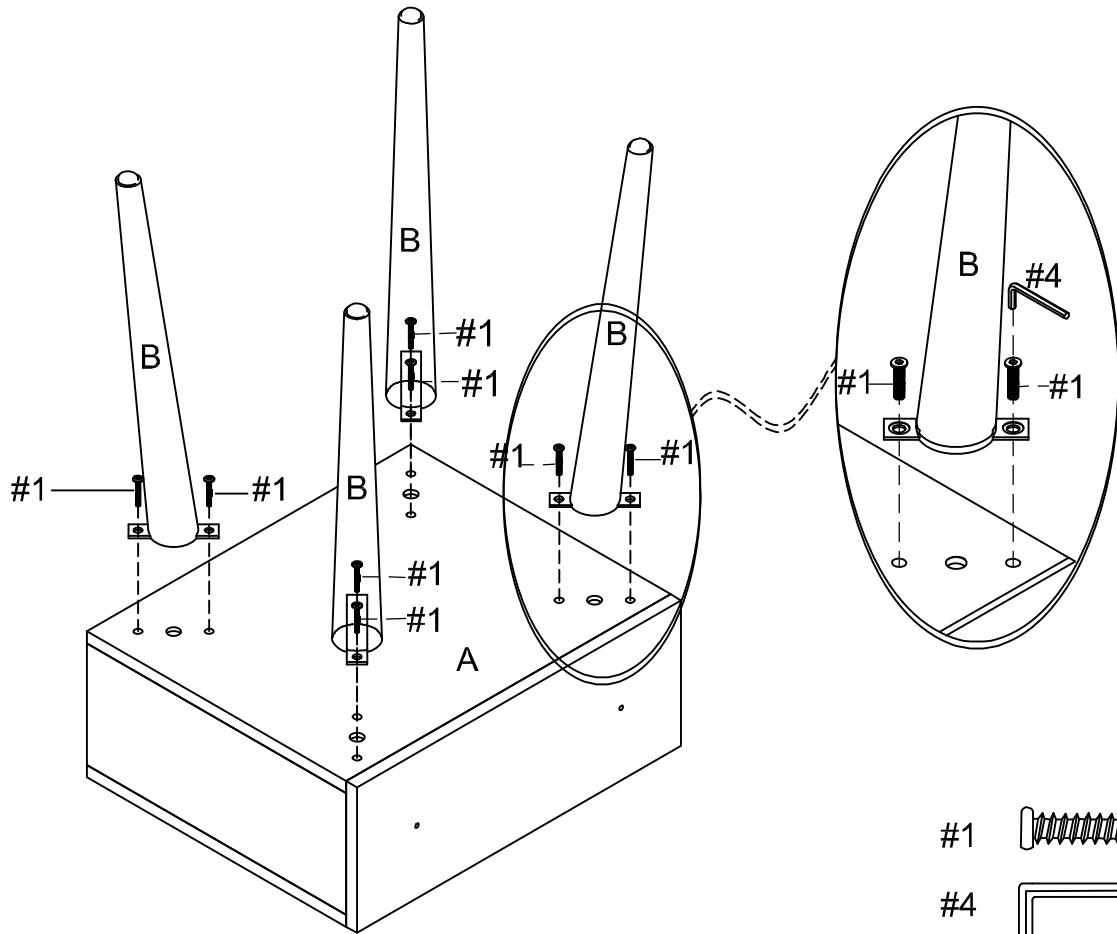
ADDITIONAL TOOLS (Not Provided)


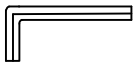
Note: It is not recommended to use power tools during assembly.



Phillips Head Screwdriver

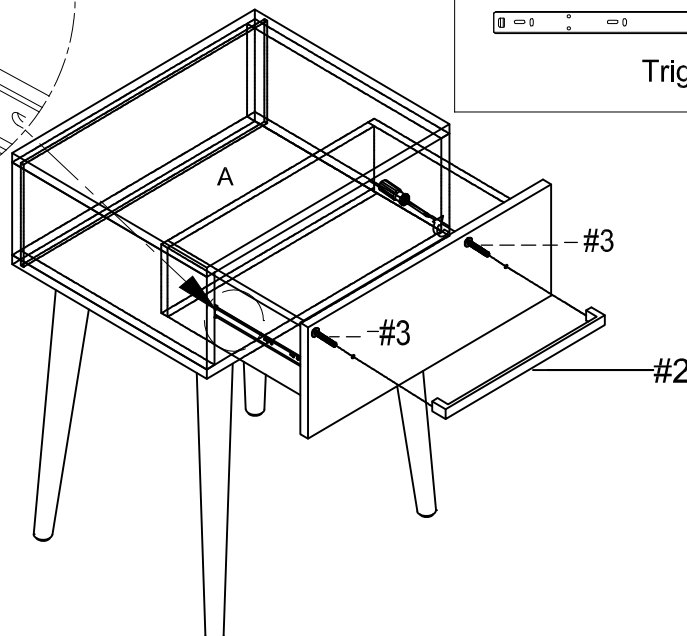
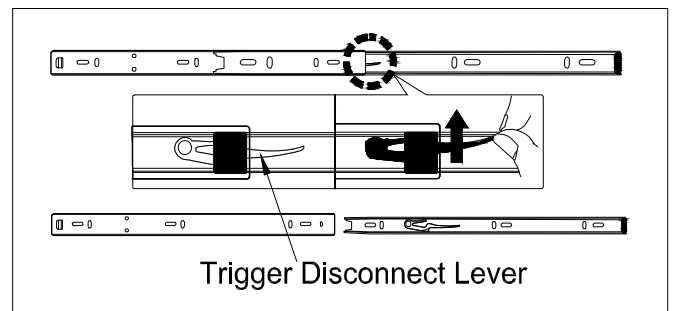
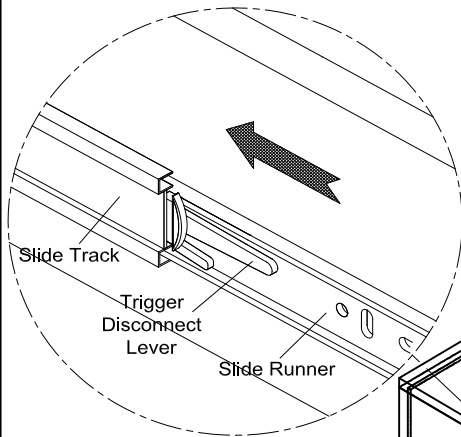
Step 1. Attach legs (part B) to top panel (part A) using bolts (part #1) and allen wrench (part #4).





- #1  x 8
- #4  x 1

Step 2. Attach handle (part #2) to top panel (part A) using round head bolts (part #3) and phillips head screwdriver.

Note: To release trigger disconnect levers push one side up and the other down.



- #2  x 1
- #3  x 2

