



# TRAK

## INSTALLATION MANUAL

*Hunter*



## CONTENTS



### BEFORE YOU BEGIN

SAFETY & PRECAUTIONS	3
FAN PLACEMENT	6
PRE-INSTALLATION	9
TOOLS NEEDED	10
IN THE BOX	11



### INSTALLATION

STEP 1: PREPARATION	12
STEP 2: CEILING BRACKET	13
STEP 3: DOWNROD	14
STEP 4: MOTOR ASSEMBLY	15
STEP 5: RETENTION SYSTEM	16
STEP 6: WIRING	17
STEP 7: MOUNTING	18
STEP 8: BLADES	19
STEP 9: REMOTE CONTROL	20



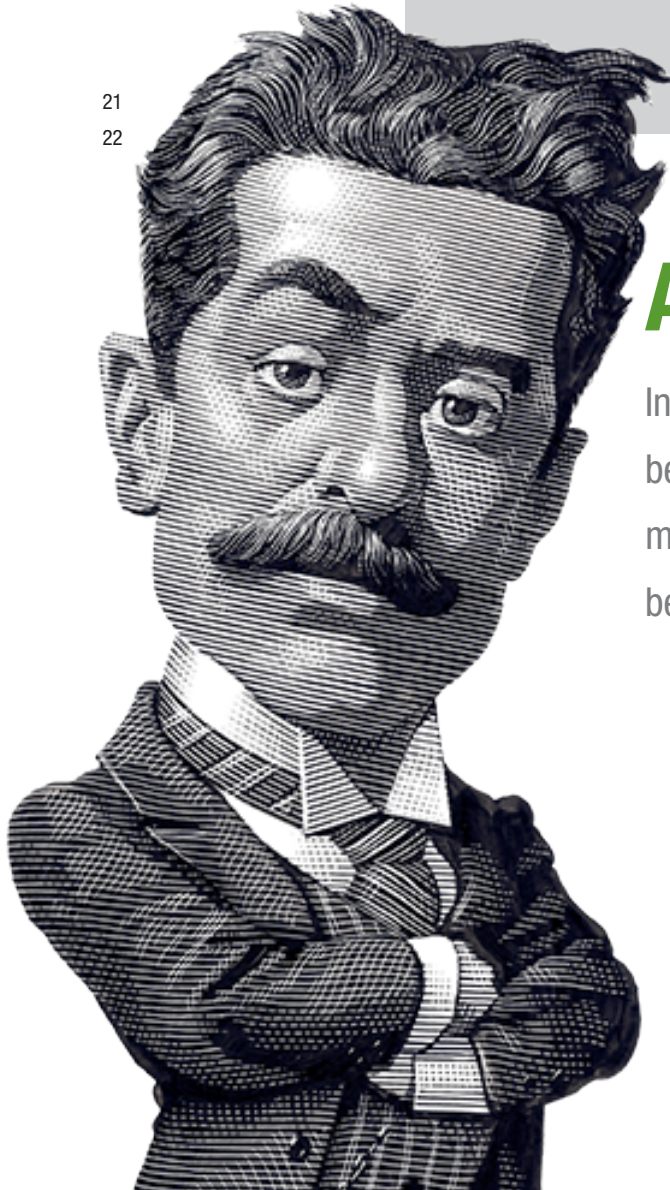
### REFERENCE

MAINTENANCE	21
TROUBLE SHOOTING	22

# 1886

## LEGACY

The Hunter legacy is not only about quality—it's about longevity. We invented the modern ceiling fan. We build fans that last, fans that are designed as fans. We design our fans while considering each person in the process—from the installer to the owner.



## AUTHENTICITY

In a world full of impersonators, be an original. We invented the modern ceiling fan, and we stand behind our products.




## BEFORE YOU BEGIN

# SAFETY & PRECAUTIONS

### Important Safety Information

To prevent SERIOUS INJURY, DEATH and PROPERTY DAMAGE, you should read, understand and follow the warnings and instructions in this manual before installing or operating the fan.

 **READ AND SAVE THESE INSTRUCTIONS.** This manual must always be kept with the fan and should remain with the fan if it is transferred or sold. Always give manual to fan owner following installation.



### FIRE, ELECTRIC SHOCK and CRUSH HAZARDS.

#### To prevent SERIOUS INJURY or DEATH:

- To reduce the risk of fire, electrical shock, or personal injury, mount fan directly from building structure and/or an outlet box marked acceptable for fan support of 70 lbs (31.8 kg) and use the mounting screws provided with the outlet box.
- To avoid possible electrical shock, before installing or servicing your fan, disconnect the power by turning off the circuit breakers to the outlet box and associated wall switch location. If you cannot lock the circuit breakers in the off position, securely fasten a prominent warning device, such as a tag, to the service panel.
- To reduce the risk of electric shock, this fan must be installed with an isolating wall control/switch.
- To reduce the risk of personal injury, do not insert foreign objects in between rotating fan blades.
- **Chemical burn hazard.** Keep batteries away from children. This remote contains a lithium button cell battery. If a new or used lithium button/coin cell battery is swallowed or enters the body, it can cause severe internal burns and can lead to death in as little as 2 hours. Always completely secure the battery compartment. If the battery compartment does not close securely, stop using the product, remove the batteries, and keep it away from children. If you think batteries might have been swallowed or placed inside any part of the body, seek immediate medical attention. Dispose of cells properly and keep away from children. Even used cells may cause injury.

### Installation, Adjustment, Repair or Maintenance Must Be Performed By Qualified Personnel.

Follow all safety practices and instructions during the installation, operation and servicing of the fan. Failure to apply these safety practices could result in death or serious injury. If you do not understand the instructions, please call our Technical Department at 1-844-593-FANS (3267) for guidance.

### Always Check Federal, State and Local Codes Before Installing Fan.

Code compliance is the responsibility of the installer. Check all relevant codes to make sure that all product certifications, product listings and building regulations are met.





**BEFORE YOU BEGIN**

## SAFETY & PRECAUTIONS

### **WARNING**



## Electric Shock Hazard

To prevent serious injury or death:

- **BEFORE installing or servicing your fan, ALWAYS disconnect the power by turning off the circuit breaker or breakers, to the fan locations and confirm Lockout/Tagout procedures are in place. If you cannot lock the circuit breakers in the off position, securely fasten a prominent warning device, such as a tag, to the electrical panel.**
- **All wiring must be in accordance with national and local electrical codes, including ANSI/NFPA 70. If you are unfamiliar with wiring or are in doubt, consult a qualified electrician.**
- **Do not use extension cord with fan.**
- **Do not remove covers while power is on.**
- **Do not use improper voltage source.**

All fan controls and incoming power should be installed only by qualified technicians familiar with the requirements of the National Electrical Code and local codes. Failure to follow these guidelines will void the manufacturer's warranty.

All electrical controls are configured at the factory and are ready to use. No user adjustments are available. Follow the included installation instructions when installing this device to ensure proper operation. Do not make any changes to any part of the fan without first consulting Hunter Industrial Fan. Installation is to be in accordance with ANSI/NFPA 70: National Electrical Code and local codes.

The user is responsible for compliance with all international and National Electrical Code requirements with respect to grounding of all equipment. Many of the parts of this unit operate at line voltage.

Before installing, servicing or cleaning the unit, switch power off at the service panel, lock the service disconnecting means and confirm Lockout/Tagout procedures are in place to prevent power from being switched on accidentally. When the service disconnect means cannot be locked, securely fasten a prominent warning sign, such as a tag, to the service panel.

To reduce the risk of electric shock, serious injury and death, only use this unit as intended by the manufacturer. If you have any questions, call our Technical Department at 1-844-593-FANS (3267).





**BEFORE YOU BEGIN**

# SAFETY & PRECAUTIONS

## **WARNING** **CRUSH HAZARD**

**To prevent serious injury or death, ALWAYS attach the Retention Cable to the fan motor and secure to the building structure on EVERY fan.**

The Retention Cable limits the distance the fan could fall in the unlikely event of mounting system failure. Failure to install and to secure the Retention Cable will void your warranty.

### **Weight and Torque Considerations**

Always mount fan directly to building structure that can withstand approximately double (2x) the maximum hanging weight of the fan.

The hanging weight of a 8' fan with a standard 11" downrod is 50 lbs. The maximum hanging weight of a 8' fan with a 59" downrod is 55 lbs and a maximum torque of 7 ft-lbs.

Hunter Fan provides guidelines for mounting fans; however, it is the sole responsibility of the building owner and installer to ensure the safety of the mounting system and Retention Cable, the building structure is sound, and the installation complies with all federal, state and local codes.

### **Always Use Personal Protective Equipment**

You should always wear Personal Protective Equipment, such as a Hard Hat, Safety Glasses and a Fall Harness when installing fans.

### **Damaged Equipment**

Never operate or install any fans or fan accessories that appear to be damaged. Failure to follow this instruction can result in death, serious injury or equipment damage.

To reduce the risk of personal injury, do not bend the blades or blade holders when installing or cleaning the fan.

Do not insert foreign objects in between rotating fan blades.

### **Service**

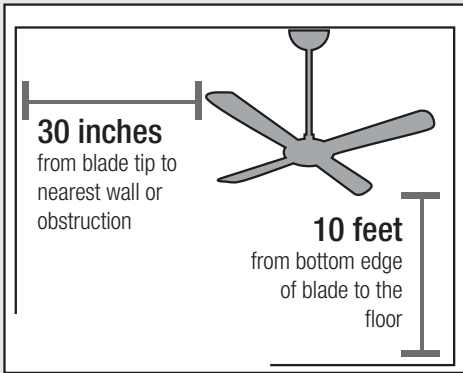
If the fan does not operate properly using the procedures in this manual, remove all power to the unit and contact our Technical Department for further assistance at 1-844-593-FANS (3267).



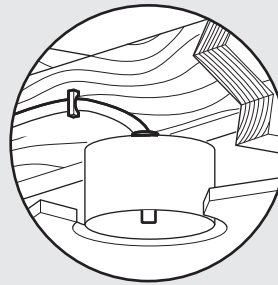
## BEFORE YOU BEGIN

# CHOOSE THE RIGHT LOCATION

### Check the room dimensions:



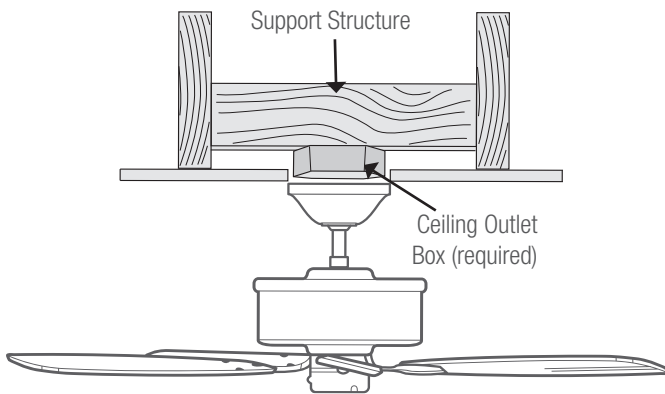
### Check the outlet box:



You must be able to secure the fan to building structure or fan-rated outlet box and clearly marked acceptable for fan support of 70 lbs (31.8 kg) or less.

## Checking the Ceiling Angle:

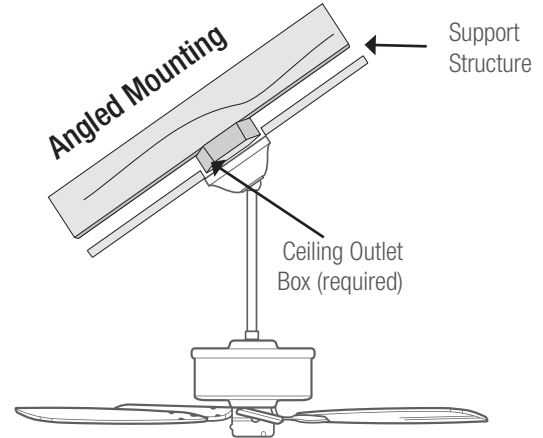
### Standard Mounting



#### If you have a flat ceiling:

Hang your fan by a standard downrod. For tall ceilings you may need a longer downrod.

### Angled Mounting



#### If you have an angled or vaulted ceiling:

1. You will need a longer downrod.

## Angled Mounting

### A little more information on Angled Mounting:

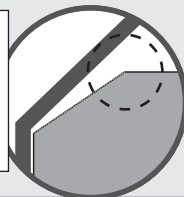
For optimum performance and appearance, a longer downrod should be used with your Hunter ceiling fan when installing on high or angled ceiling.

**NOTICE** Fan can not be mounted on to a ceiling with an angle greater than 34°

#### Hunter Pro Tip:

##### Determining angle of ceiling:

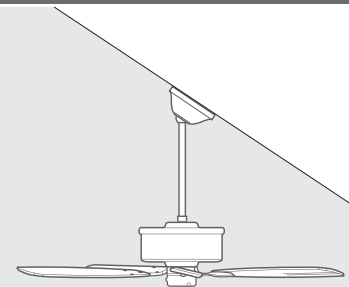
Fold on the dotted line. Place long edge against the wall. Slide towards the ceiling. If the guide touches the wall but not the ceiling, your ceiling is greater than 34°.



WALL

34°

CEILING







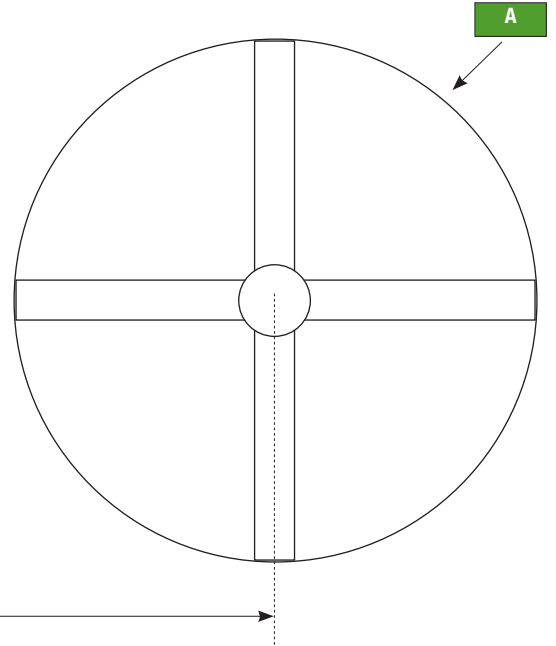
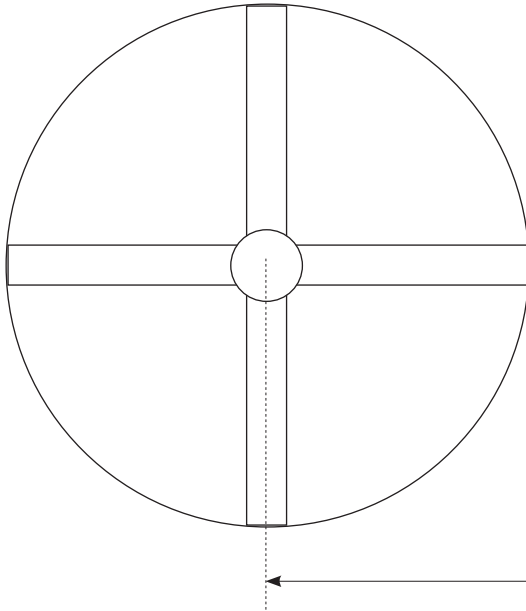
## BEFORE YOU BEGIN

# FAN PLACEMENT

### FAN PLACEMENT

FAN SPACING CHART

TRAK	
A	B
<b>DIA</b>	MIN - MAX
<b>8ft (96")</b>	20ft - 32ft
<b>7ft (84")</b>	18ft - 28ft
<b>6ft (72")</b>	16ft - 24ft
<b>5ft (60")</b>	14ft - 20ft





**BEFORE YOU BEGIN**

# FAN PLACEMENT

---

**⚠ ALWAYS mount fan so the bottom edge of blade to the floor is at least 10 feet.**

**Always mount fans away from the following:**

## **Sprinkler Systems**

Prior to installing fans, review all codes applicable to sprinkler systems and fans to ensure code compliance and refer to NFPA 13: Fire Sprinkler System Installation. In any installation where fire sprinklers are present, the fan should not interfere with their operation.

- o Fans should be located at least 3 feet below a sprinkler deflector.
- o Fans should be centered between 4 adjacent sprinklers.

It is your responsibility that the installation complies with the applicable codes. For assistance, please call our Technical Department at 1-844-593-FANS (3267).

## **Walkways and Mezzanines**

If the building has elevated walkways or mezzanines, mount the fans so that a person cannot reach the rotating blades in any way. Position fans so that the tips of the blades are at least 5 feet away from any area where a person may be able to extend outward to reach them.

## **Lights and Skylights**

If possible, avoid mounting fans directly below lights or skylights to avoid any strobe effect caused by moving blades.

There should be a minimum of 2 feet between the blades and any light fixture.

## **Air Discharge Locations**

Fans should not be located directly beneath or in line with any air discharge. This includes air conditioning units and evaporative coolers. Such equipment can be used effectively in conjunction with ceiling fans however the discharge of the unit must be located outside the swept area of the fan and at a distance of at least two times the diameter.





## BEFORE YOU BEGIN

# PRE-INSTALLATION CHECKLIST



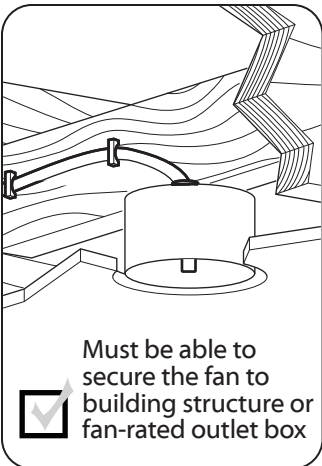
The location of the fan will allow for a minimum of 2 feet of blade clearance from any obstruction and at least 10 feet of clearance above the floor.



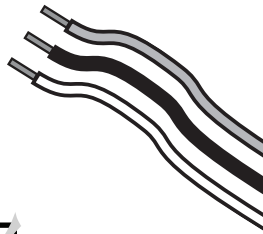
If installing multiple fans, reference the fan placement chart for optimal spacing.



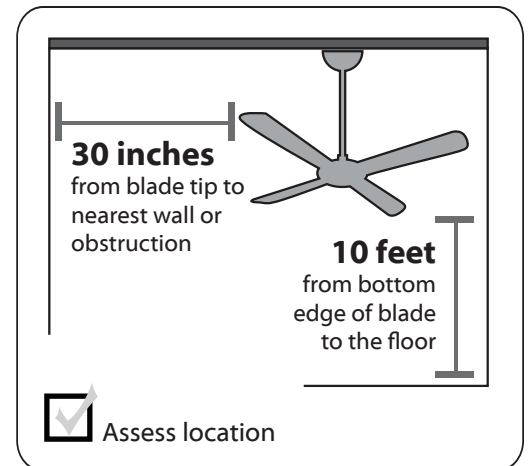
The control panel voltage markings (*either 100-120VAC or 220-240VAC*) should match your building supply power.



If you are unfamiliar with wiring, use a qualified electrician.



Know your wiring



Maximum ceiling angle is 34°.

Assess ceiling angle

**1 Standard Downrod**  
for ceilings 12-14 feet high

**2 Longer Downrod**  
for ceilings 14 feet or higher

Select a downrod length

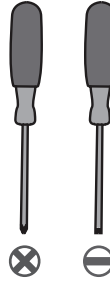


## BEFORE YOU BEGIN

# TOOLS NEEDED

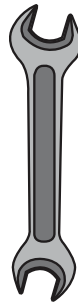


Ladder



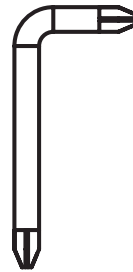
Screwdrivers

## Included



x2

1/2" / M4 Wrench



Right Angled Screwdriver



Allen Wrench



Blade Installation Tool

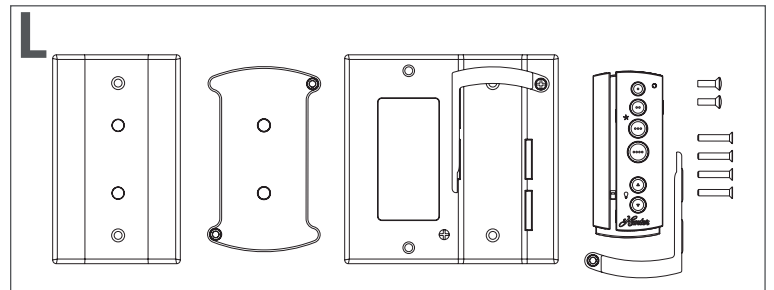
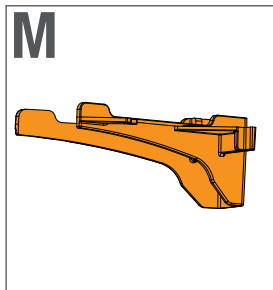
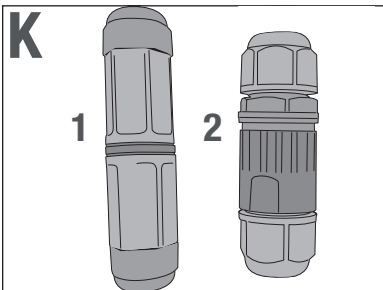
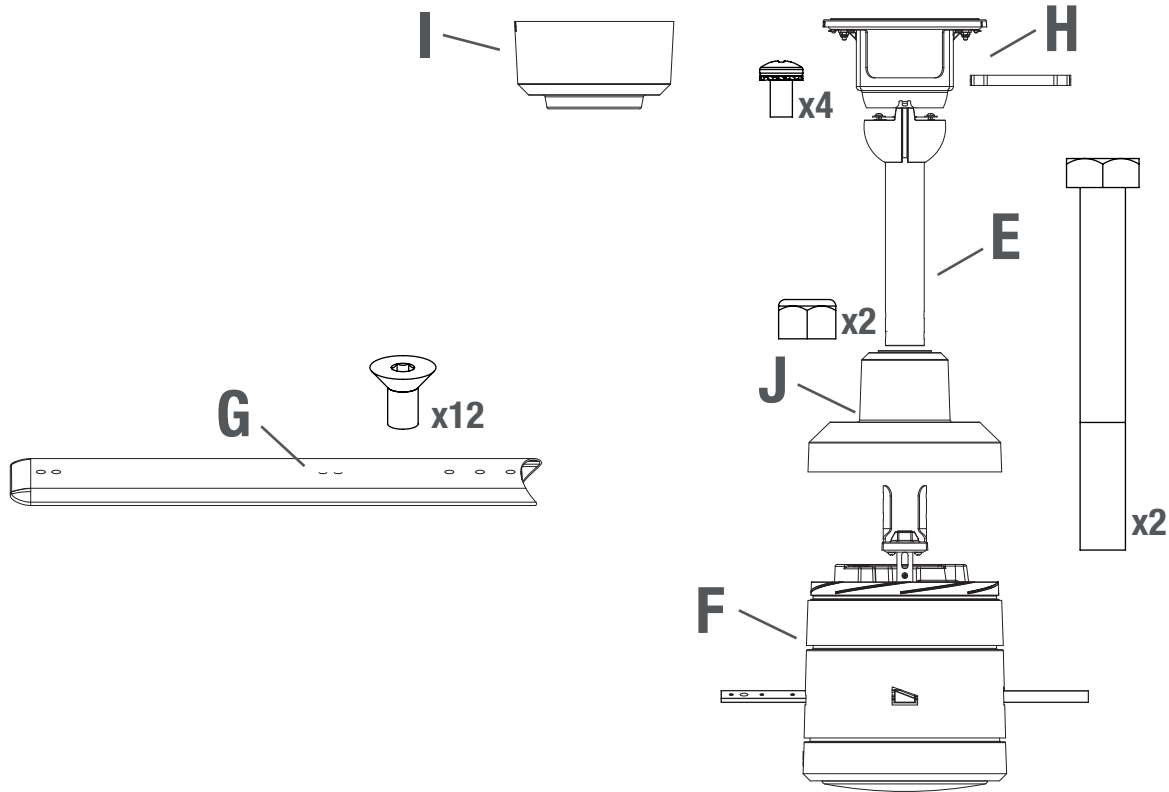




**BEFORE YOU BEGIN**

**IN THE BOX**

# FAN COMPONENTS



- E (1) Downrod**
- F (1) Motor**
- G (4) Blades**
- H (1) Ceiling Bracket**
- I (1) Canopy**
- J (1) Motor Housing Cover**

- K (K1) Data Cable Connector;**
- (K2) Power Cable Connector**
- L (1) Remote Control Assembly**
- M Hanger Bracket Guide**
- N (1) Installation Manual (not shown)**



# INSTALLATION

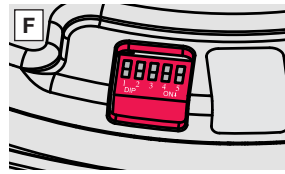
# 1

# PREPARATION

## A

If you have a building management system you will need to set the dip switches for your fan IP address. Use the chart to set your switches. On is 1. 0 is the dip switch in the off position.

## A



IP	Bit 1	Bit 2	Bit 3	Bit 4	Bit 5
192.168.1.61	0	0	0	0	0
192.168.1.62	0	0	0	0	1
192.168.1.63	0	0	0	1	0
192.168.1.64	0	0	0	1	1
192.168.1.65	0	0	1	0	0
192.168.1.66	0	0	1	0	1
192.168.1.67	0	0	1	1	0
192.168.1.68	0	0	1	1	1
192.168.1.69	0	1	0	0	0
192.168.1.70	0	1	0	0	1
192.168.1.71	0	1	0	1	0
192.168.1.72	0	1	0	1	1
192.168.1.73	0	1	1	0	0
192.168.1.74	0	1	1	0	1
192.168.1.75	0	1	1	1	0
192.168.1.76	0	1	1	1	1
192.168.1.77	1	0	0	0	0
192.168.1.78	1	0	0	0	1
192.168.1.79	1	0	0	1	0
192.168.1.80	1	0	0	1	1
192.168.1.81	1	0	1	0	0
192.168.1.82	1	0	1	0	1
192.168.1.83	1	0	1	1	0
192.168.1.84	1	0	1	1	1
192.168.1.85	1	1	0	0	0
192.168.1.86	1	1	0	0	1
192.168.1.87	1	1	0	1	0
192.168.1.88	1	1	0	1	1
192.168.1.89	1	1	1	0	0
192.168.1.90	1	1	1	0	1
192.168.1.91	1	1	1	1	0
192.168.1.92	1	1	1	1	1



## INSTALLATION

# 2

# CEILING BRACKET

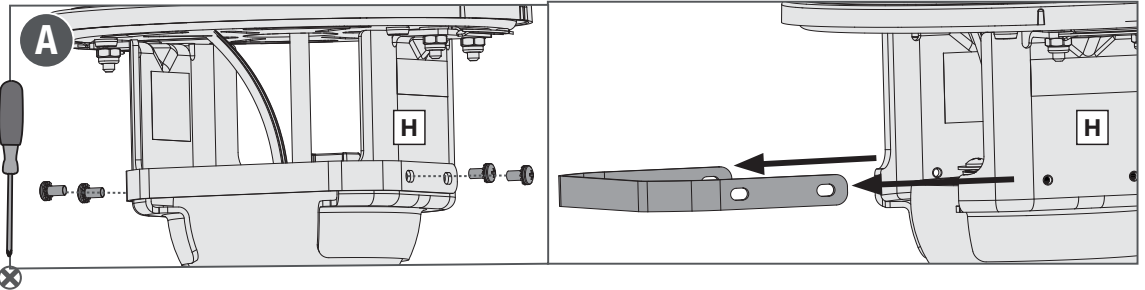
## **! WARNING** **CRUSH HAZARD**

To prevent **SERIOUS INJURY** or **DEATH**, **ALWAYS** mount fan directly from building structure or outlet box marked acceptable for fan support of 70 lbs (31.8 kg).

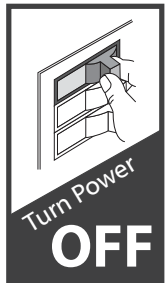
- **CAUTION:** Do not install the fan from a single structure such as a purlin, truss, I-beam or bar joist.
- For any questions or concerns regarding the building structure, consult a structural engineer.

### A


Remove the four screws from the restraining bracket and set aside. Remove the restraining bracket from the hanging bracket (H) and set aside.



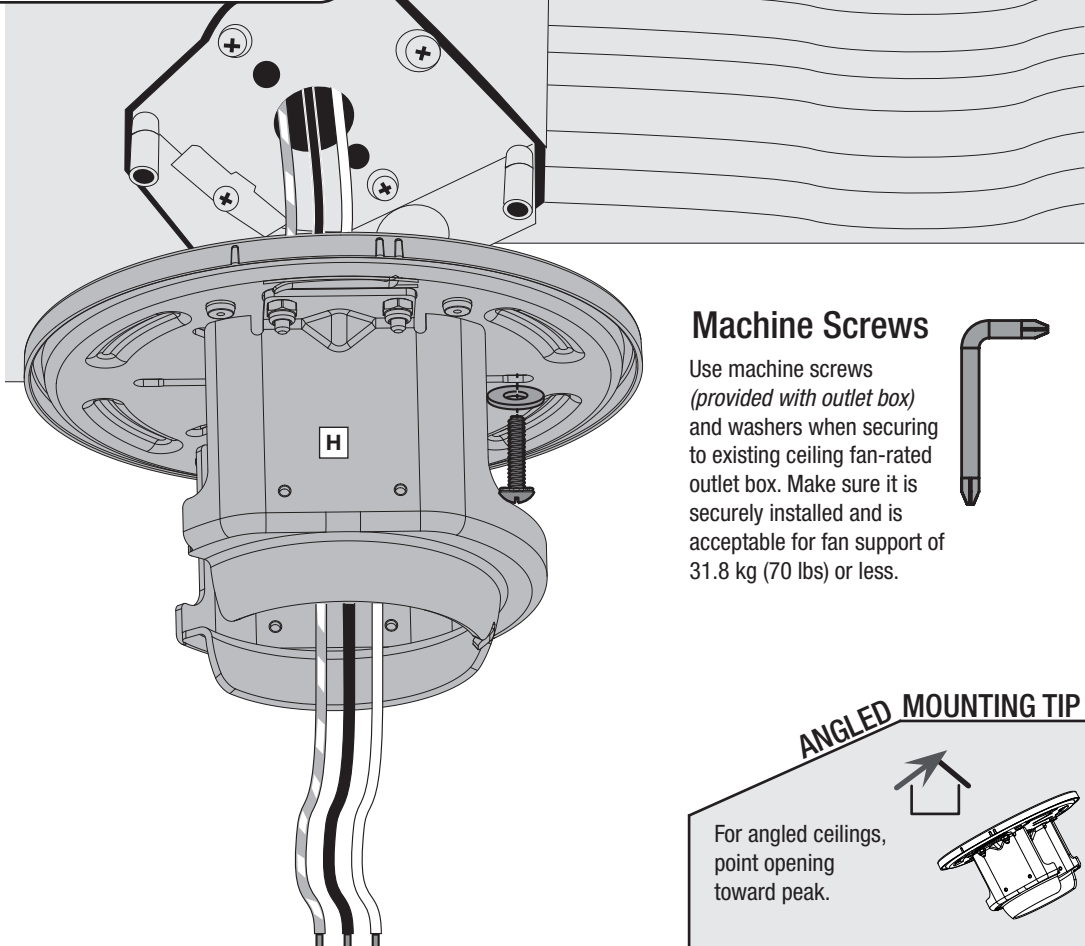
Remove any existing bracket prior to installation. Only use the provided Hunter ceiling bracket that came in your fan's box.



Do this first!

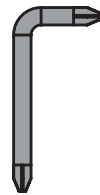
**! WARNING** 

To avoid possible electrical shock, before installing your fan, disconnect the power by turning off the circuit breakers to the outlet box associated with the wall switch location.



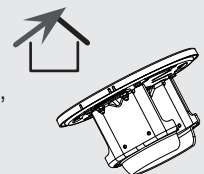
### Machine Screws

Use machine screws (provided with outlet box) and washers when securing to existing ceiling fan-rated outlet box. Make sure it is securely installed and is acceptable for fan support of 31.8 kg (70 lbs) or less.



### ANGLED MOUNTING TIP

For angled ceilings, point opening toward peak.



If you are unable to do this, call Technical Department at 1-844-593-FANS(3267) for guidance.



# INSTALLATION

## 3 DOWNROD

### A

Place the preassembled downrod (E) through the canopy (I) and upper motor housing (J).

### B

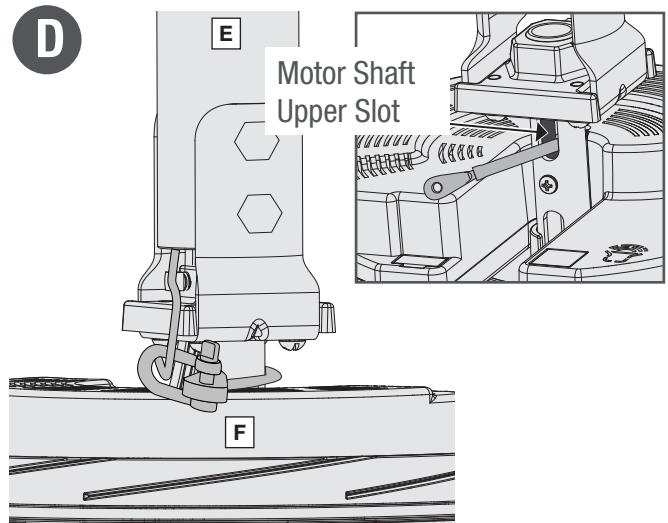
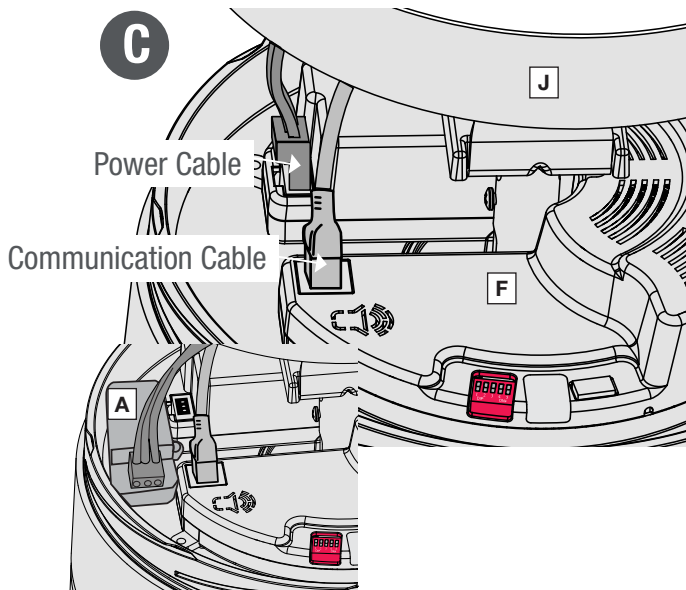
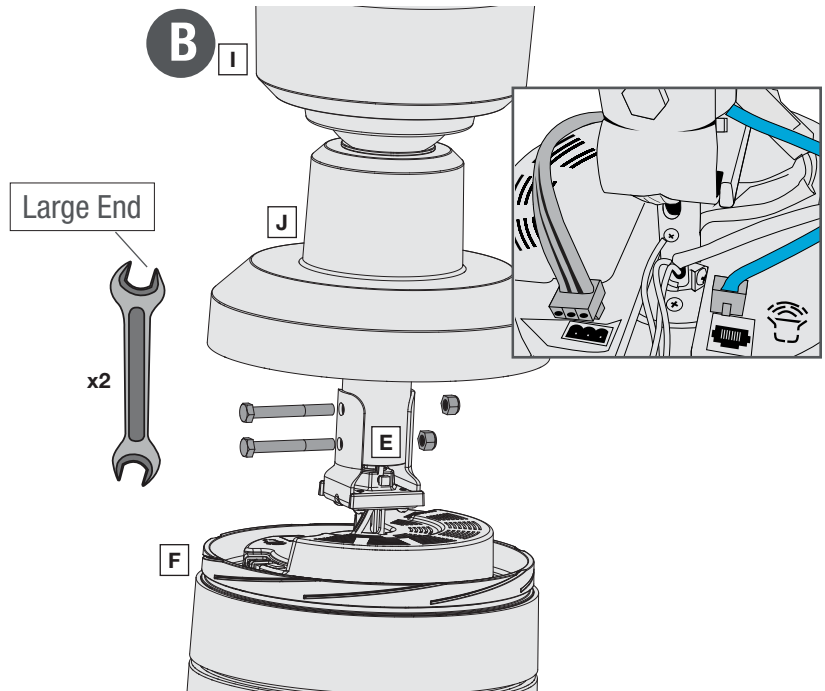
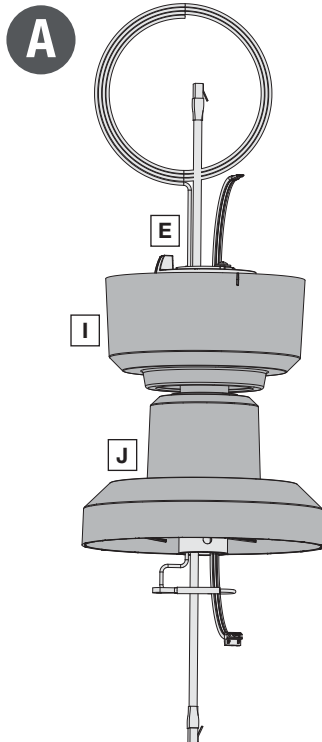
Place the bottom of the downrod into the bracket of the fan while aligning the holes. Make sure power cable and communication cable are facing the power and data ports to ensure a connection. Place a bolt through each hole and secure each bolt with a nut.

### C

Connect the communication cable from the downrod to the fan. Connect the power cable from the downrod to the fan. (\*240V will have a different power cable port)

### D

Attached the secondary hanging cable to the fan by threading the cable eye through the upper slot of the motor shaft. Attach the D-shackle to the wire as shown and secure by screwing the pin through unthreaded wall of shackle and the cable eye into the threaded wall of shackle until it is tight.



\*For 240 V models the power cable will need to attach to module (A)

**⚠ WARNING**

**FAN FALL HAZARD**  
To prevent **SERIOUS INJURY** or **DEATH**, make sure bolts are securely tightened and shackle is secure.



**WARNING**



**CRUSH HAZARD.** To prevent serious injury or death, **ALWAYS** attach the Retention Cable to the fan motor and secure to the building structure on **EVERY** fan.

**A**

Lower the upper motor housing (J) and twist clockwise to secure. Ensure the fan is sealed by eliminating any gap between the housing and fan.

**B**

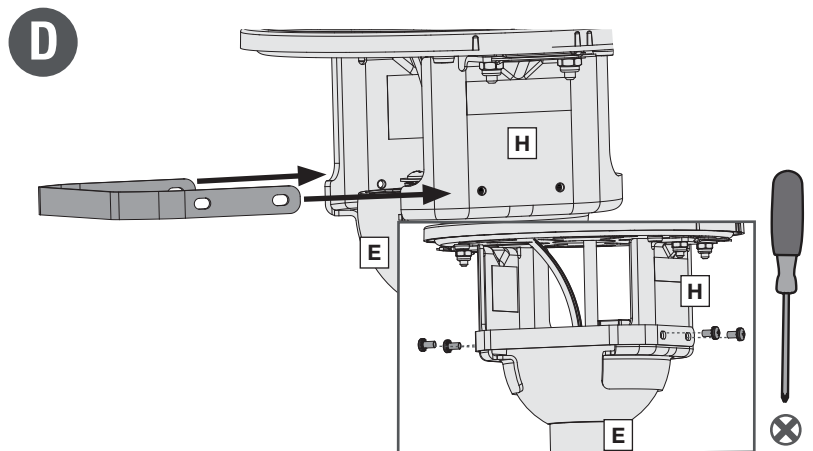
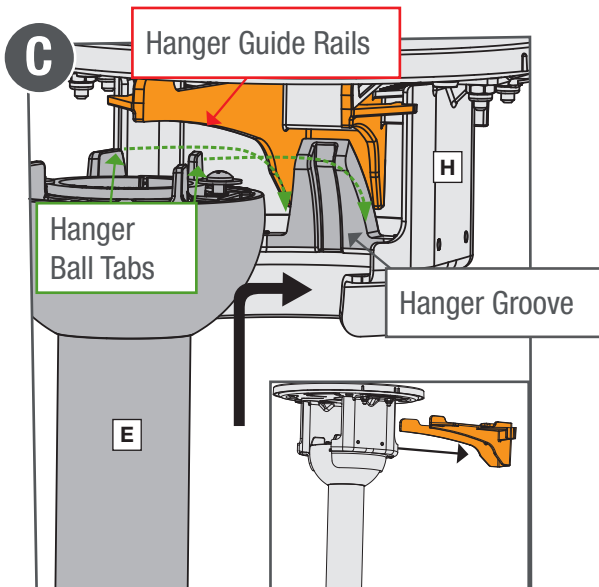
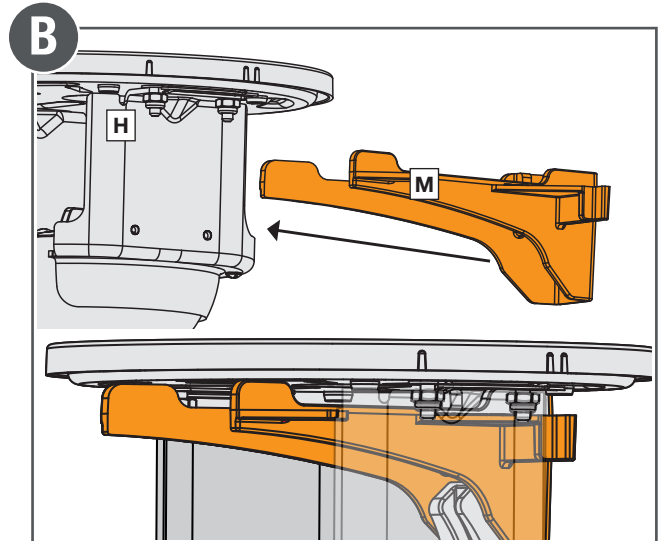
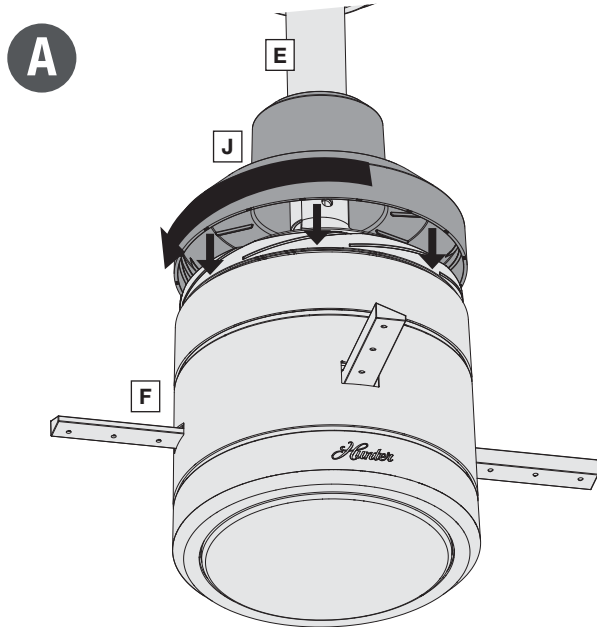
Place hanger guide (M) through the back of the hanger bracket (H) until the back of the guide and bracket are flush. It should snap into place when correctly installed.

**C**

Lift motor assembly and insert hanger ball into hanger bracket (H), guiding the hanger ball tabs along the hanger guide rails until the hanger ball is secure. The hanger groove should be in between both hanger ball tabs. **REMOVE HANGER GUIDE FROM BRACKET** by squeezing ends together and sliding away from bracket.

**D**

To secure the motor assembly take the restraining bracket and place over the ceiling bracket and align the holes. Insert and secure a screw into each hole.







**WARNING**



**CRUSH HAZARD.** To prevent serious injury or death, **ALWAYS** attach the Retention Cable to the fan motor and secure to the building structure on **EVERY** fan.

**A**

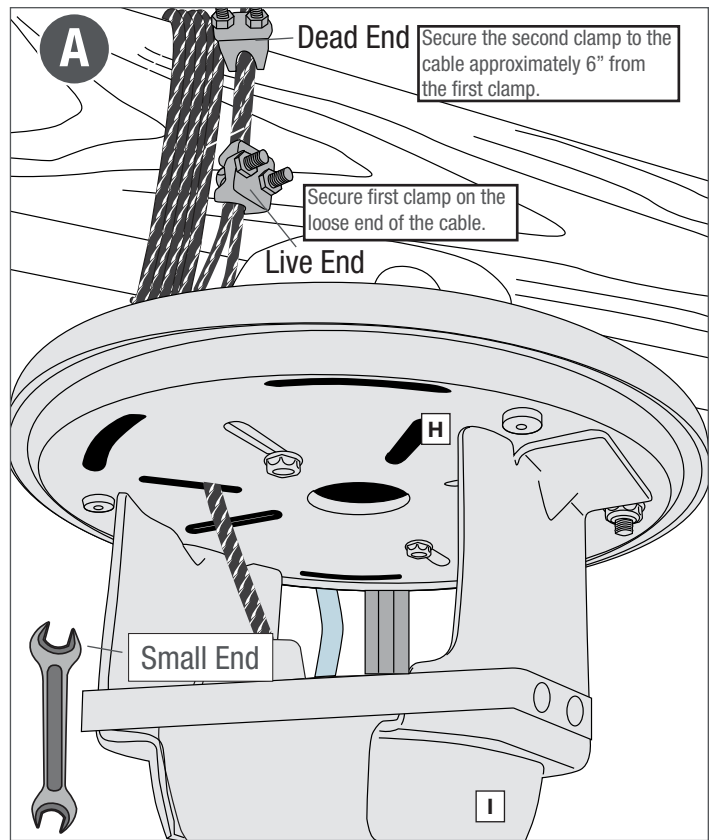
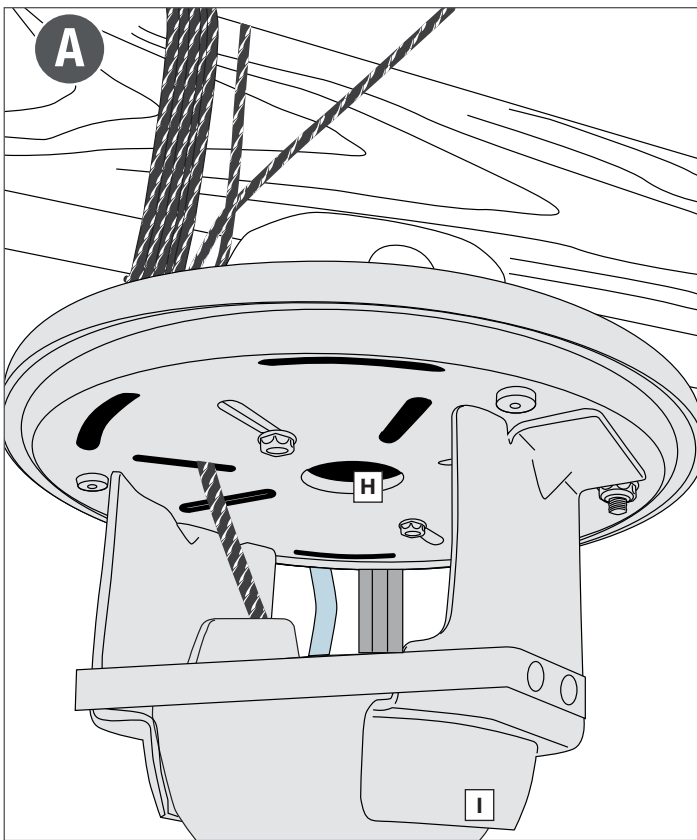
Wrap retention cable around building structure that can withstand double the installed fan weight. Use mounting slot in the canopy to allow the retention cable to pass out of the canopy and through the gasket.

**B**

Secure remaining cable to itself with cable clamps.

**NOTICE**

Leave approximately 3" of slack in the wire and the cable, at the top of the downrod opening.



**NOTICE**

When attaching cable clamps, remember: "Never saddle a dead horse."

Place the u-bolt on the "dead" end of the Retention Cable and the saddle on the "live" portion of the Retention Cable. If done incorrectly, the U-bolt could crush the wire when tightened and can reduce the strength of the wire.



# ⚠️ WARNING ⚡ Electric Shock Hazard

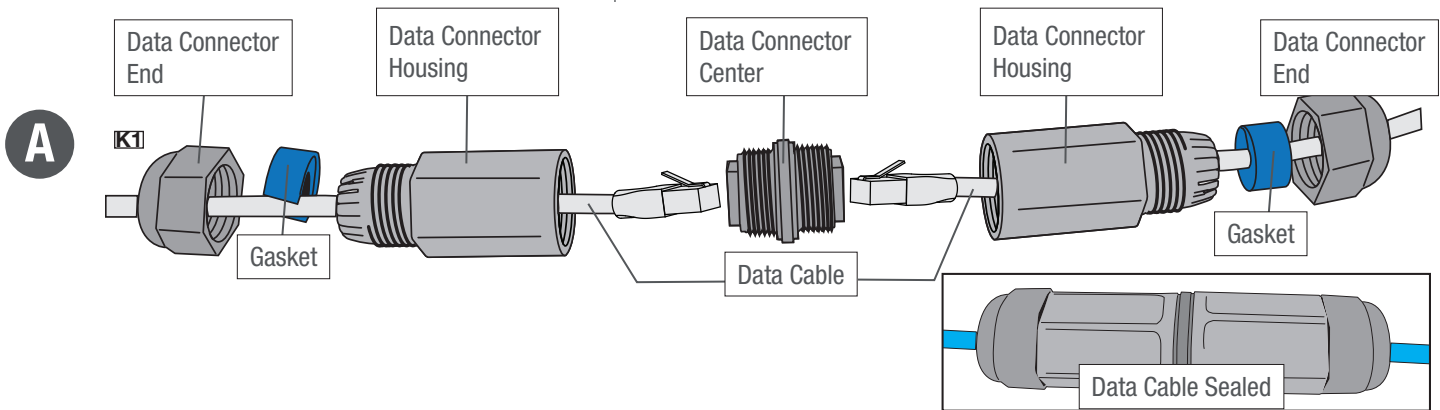
## Electric Shock Hazard.

To prevent serious injury or death:

- **BEFORE installing or servicing your fan, ALWAYS disconnect the power by turning off the circuit breaker or breakers to the fan locations and confirm Lockout/Tagout procedures are in place.**
- **If you cannot lock the circuit breakers in the off position, securely fasten a prominent warning device, such as a tag, to the electrical panel.**
- **All wiring must be in accordance with national and local electrical codes, including ANSI/NFPA 70. If you are unfamiliar with wiring or in doubt, consult a qualified electrician.**

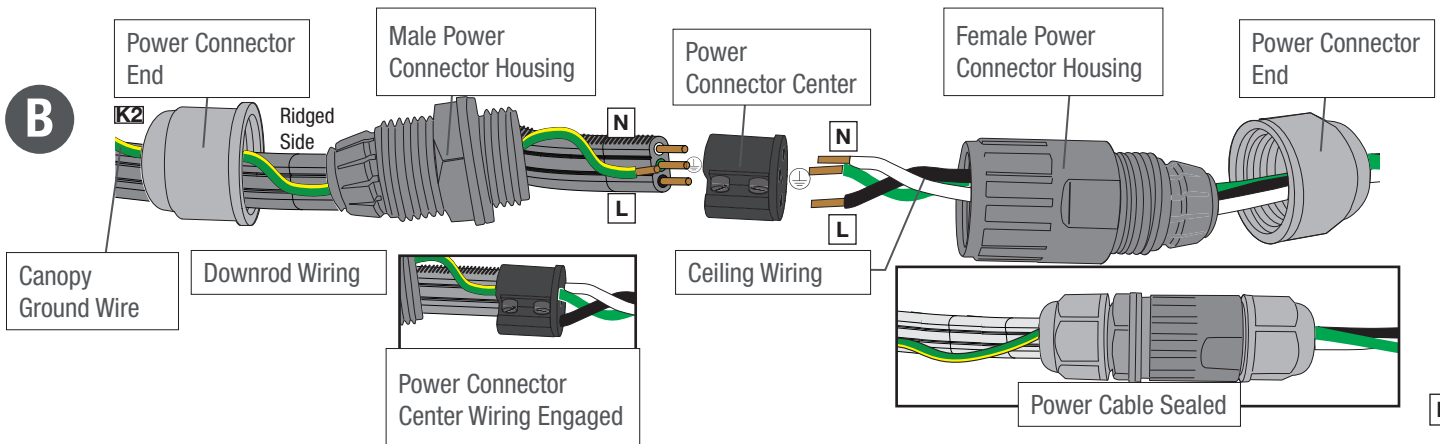
### A

Fully unscrew data connector and remove the gasket from either end. Slide data connector end over data cable. Slip gasket onto data cable text side out and insert gasket into data connector end. Push gasket until it is flush with data connector end. Slip data connector housing over data cable. Plug data cable into center connector and thread data connector housing onto data connector center by twisting clockwise until tight. Thread data connector end onto data connector housing by twisting clockwise until tight and gasket seals the cable. Repeat for the other end.



### B

Fully unscrew power connector. Place power cable and canopy ground wire through power connector end. Next, slide male power connector housing over wires. Using a small phillips head screw driver, back off screws on one half of wire terminal. The ridged side of the power cable is the neutral and goes into the hole marked (N). The center wire from the power cable is ground. Twist together with ground wire from canopy and insert into hole with ground symbol (⊕). The outer wire without ridges is the Live (L) and goes into the hole marked (L). Tighten down all terminal screws securely to make wire connections. Repeat for wires from ceiling with female power connector housing and the other power connector end. To secure the power connector, tighten male to female and then the connector ends by twisting clockwise. (all sections of the power connector)

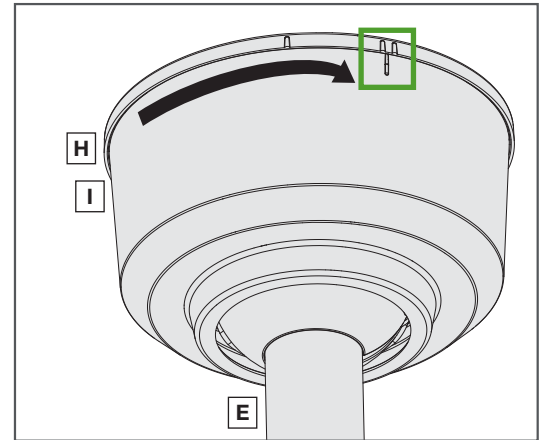
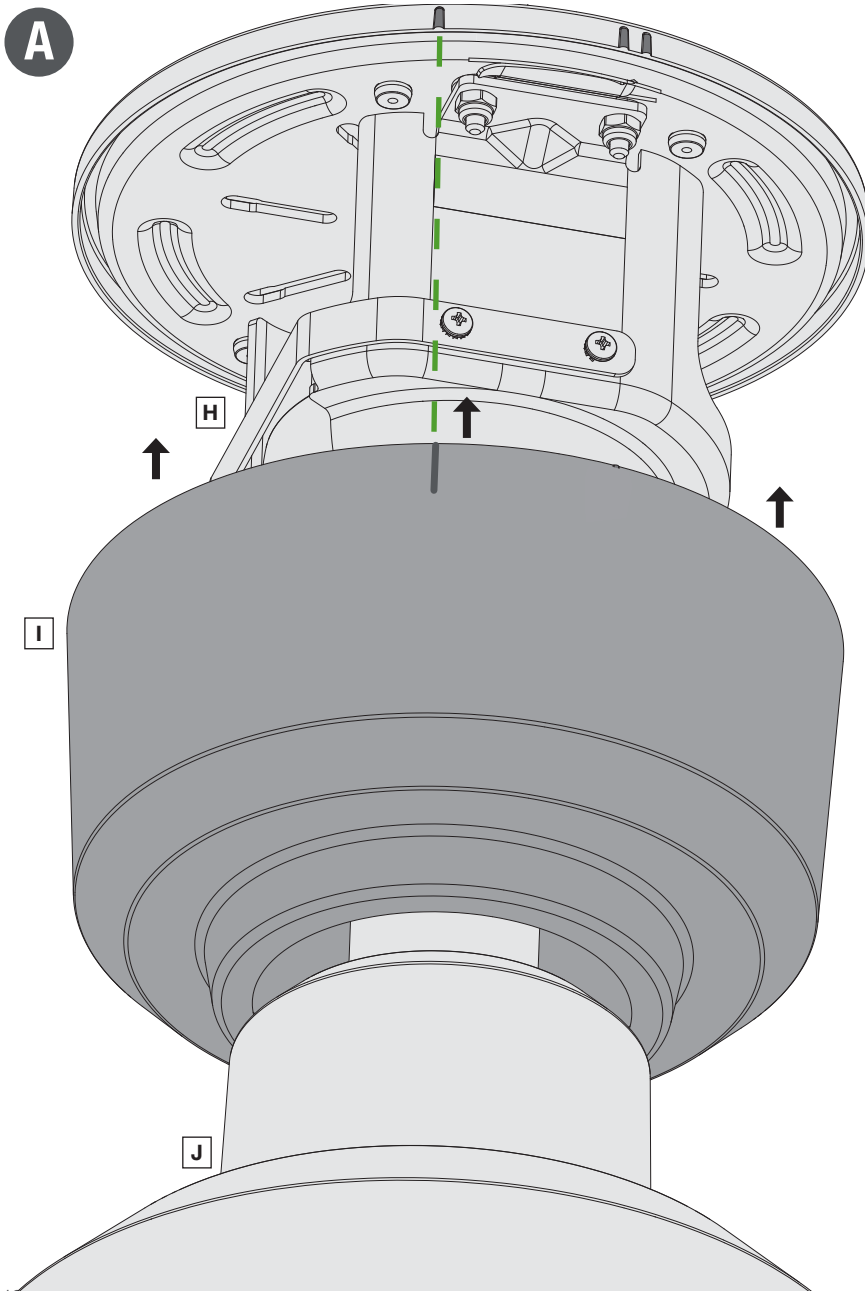


K



A

Position data connector, power connector, and excess wiring inside the ceiling bracket. Lift the canopy and align the single ridge on the canopy with the single ridge on the ceiling gasket. Twist clockwise to secure. The single ridge of the canopy will align with the two ridges of the ceiling gasket.





## INSTALLATION

# 8 BLADES

### A

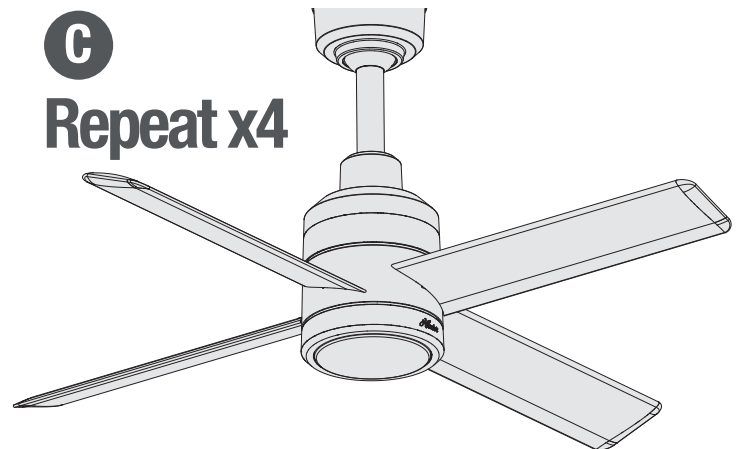
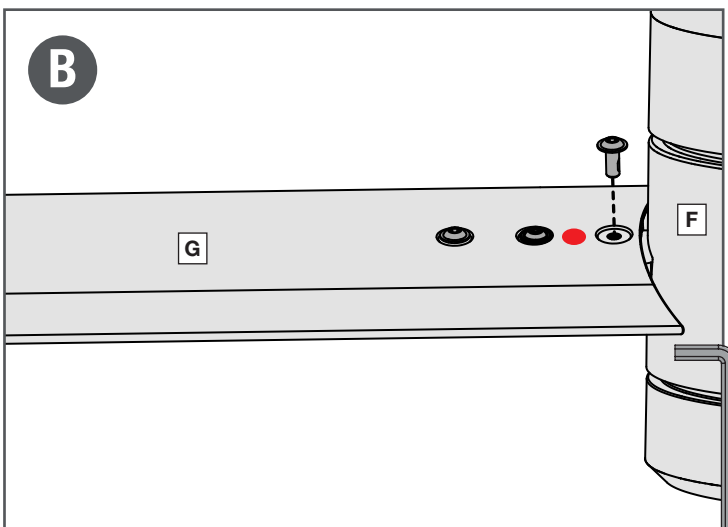
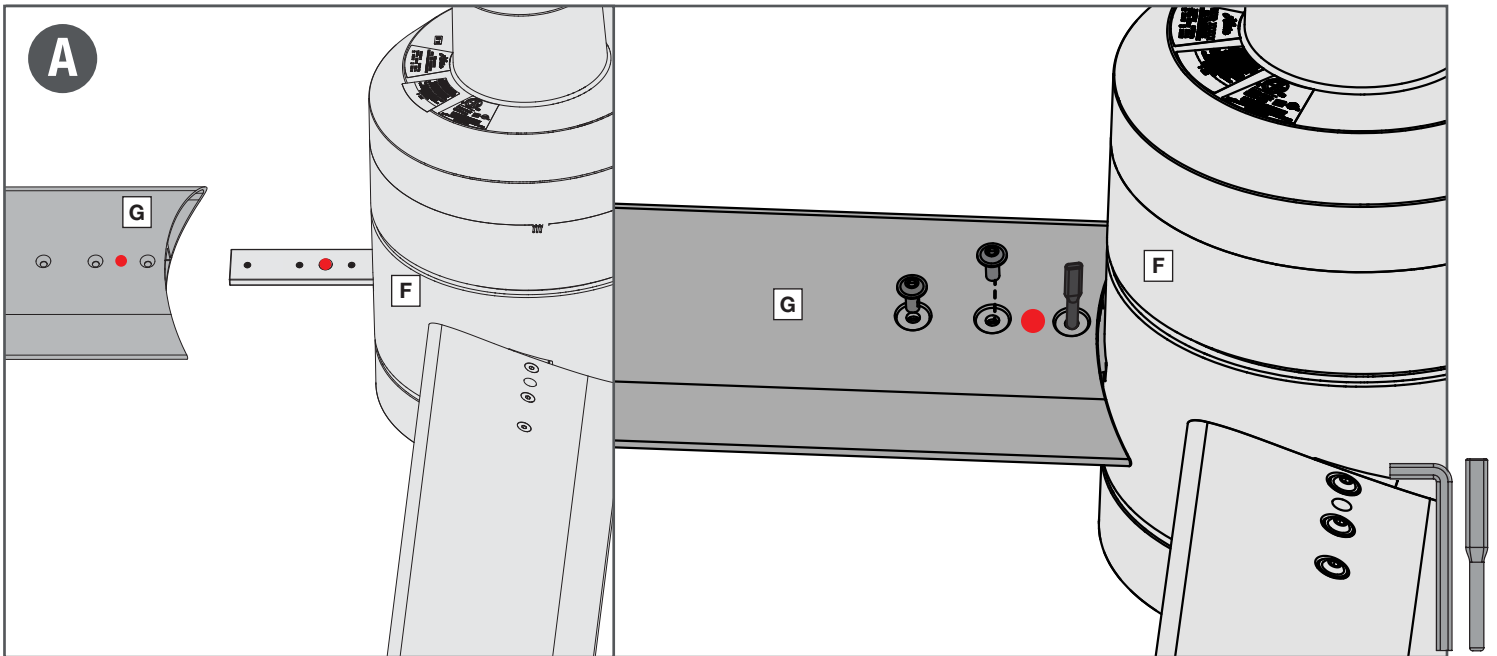
Match blade with colored circle to blade iron with the same colored circle. Slide blade over blade iron and align the blade screw holes with the blade iron holes. Place blade installation tool into hole closest to the fan to help align screw holes.

### B

Insert a screw into the remaining two screw holes. Tighten both screws

### C

Remove installation tool and insert a screw into the remaining screw hole and tighten. Repeat for each blade.



**NOTICE** ALWAYS confirm the colors on each fan blade holder matches the colors on the blade. This will ensure that the fan is properly balanced to prevent possible damage due to wobble. To reduce the risk of personal injury, do not bend the blades or blade holders when installing the fan.



## INSTALLATION

# 9

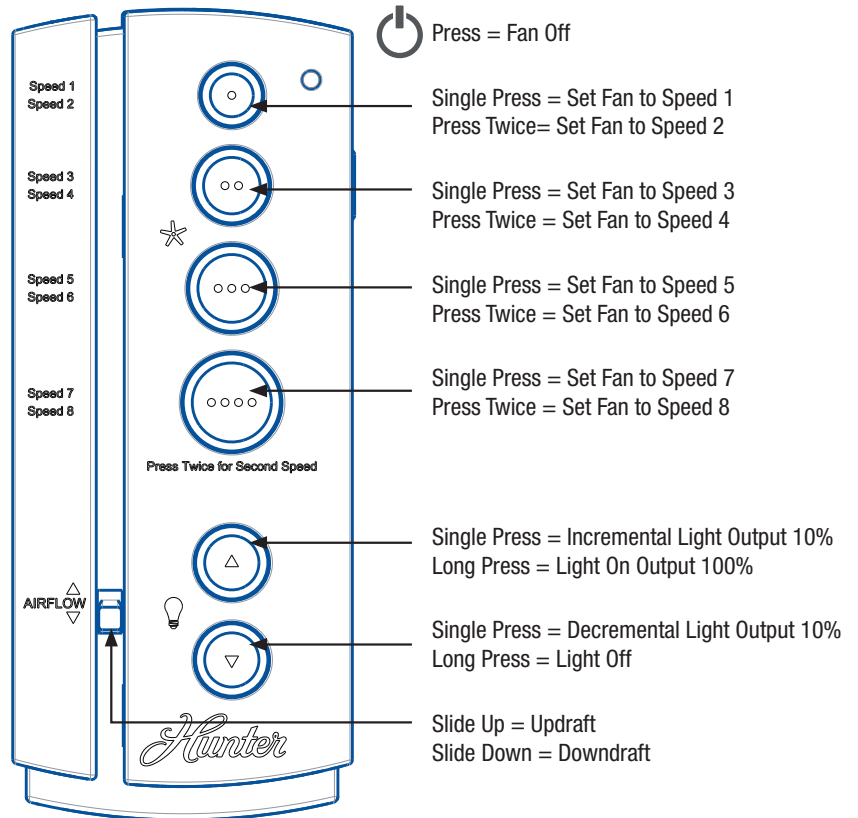
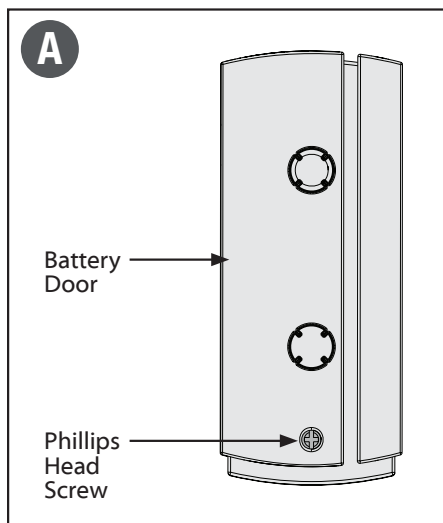
# REMOTE CONTROL

## A

To access the battery compartment, remove the small Phillips head screw that secures the battery door to the transmitter assembly. The battery should be installed with the positive (+) side up. Replace with a CR2032 battery when necessary.

**The remote transmitter is already paired to the receiver and ready to use.**

Note: If you would like to operate multiple fans or multiple remotes, or if your remote is not working, please see the Troubleshooting section at the end of this manual.



## NOTICE

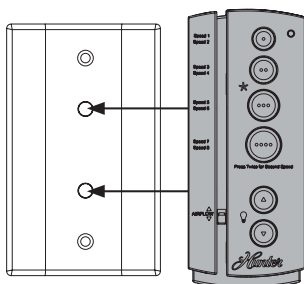
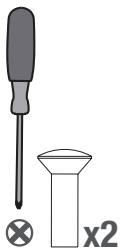
Toggle dimming mode by holding OFF (⏻) and quickly press Light Down (▽) two times

## B

Your remote comes with three mounting options.

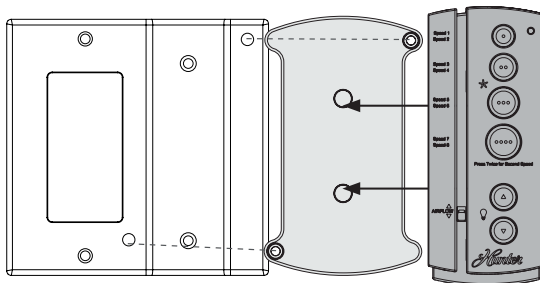
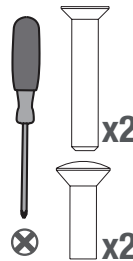
### B.1

Option one is a wall plate that has two posts on which to mount your remote transmitter when not in use.



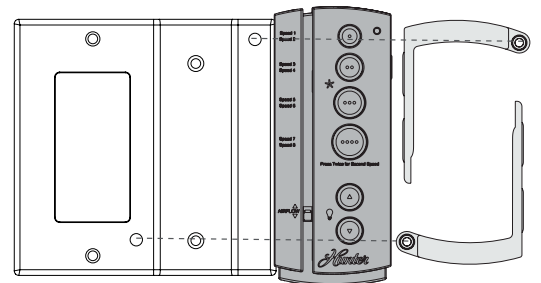
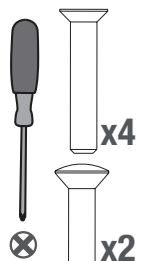
### B.2

Option two and three use an extended wall plate that replaces your pre-existing light switch plate. Option two combines the extended wall plate with an additional plate that has two posts on which to mount your remote transmitter when not in use. Install the extended wall plate. Then install the secondary plate to the extended wall plate.



### B.3

Option three adds two cradle arms overtop of the remote transmitter onto the extended wall plate. This locks the remote transmitter into place so that it can only be removed by removing the two cradle arms.







## **WARNING** **Electric Shock Hazard**

### **Electric Shock Hazard**

To prevent serious injury or death:

- **BEFORE** performing maintenance or service, **ALWAYS** disconnect the power by turning off the circuit breaker or breakers to the fan locations and confirm Lockout/Tagout procedures are in place.
- If you cannot lock the circuit breakers in the off position, securely fasten a prominent warning device, such as a tag, to the electrical panel.
- Do not remove covers while power is on.

### **Blade Cleaning**

Depending on the commercial application, dust or other particulates can build up on the fan blades over time. At least every 12 months, a maintenance person or skilled trade professional should clean the blades using a rag or sponge and hot water or regular cleaning solutions.

DO NOT use chlorine or any chemicals containing chlorine as they may cause damaged to the blades.

### **Retention System Check**

Each fan is installed with a retention system. Every 12 months, check that the Retention Cable is properly attached to the building structure. Inspect the visible portions of the Retention Cable for damage, including fraying.

The Retention Cable is an important part of the safety system and protects users in the unlikely event of a catastrophic situation. It is critical for fan owners to ensure that it is intact and properly secured.

### **Replacement Parts**

Please call 1-844-593-FANS (3267) for replacement parts.

### **Service**

If the fan does not operate properly using the procedures in this manual, follow Lockout/Tagout procedures for your facility and lockout all power to the unit and contact our Technical Department for further assistance at 1-844-593-FANS (3267).

**Symptom****Possible solution****FAN WILL NOT START**

- Verify that the fan's circuit breaker has power and that it is on.
- Check for secured plug connections. Each connection should be checked to ensure they are fully engaged.
- Inspect for loose wiring connections. Each termination should be checked to be sure they are firmly tightened.

**MOTOR IS PULLING  
EXCESSIVELY HIGH AMPS**

- Make sure the motor voltage is a match for the supply voltage.

**FAN IS "SWINGING" AS IT  
RUNS**

- Check for correct fan blade installation. Be sure that all blades have been properly installed according to color and are tightened.
- Ensure all downrod hardware has been tightened.
- Check for improper incoming air discharge. Make sure that no discharge is blowing directly on the fan.

**A FAN BLADE APPEARS TO  
BE 'SAGGING'**

- Make sure that the 'sagging' blade has been properly tightened.

**TO PAIR A REMOTE TO  
A FAN(S):**

- Turn OFF Power to Fan for at least 5sec, and then restore Power. Hold down both the "Fan OFF" and "⊙" button at the same time. The remote LED will flash after several seconds. Fan will emit audible "BEEP" to confirm the operation.

**TO UNPAIR A REMOTE  
FROM A FAN(S):**

1. Power Cycle the Fan
2. Long hold on both button ⊙ and DOWN. You will see LED is on.
3. Wait until the LED is off
4. While still pressing button ⊙, release button DOWN.
5. Keep pressing button ⊙ and have a short press on the button DOWN.
6. You will see LED blinks 5 times for command sent confirmation. Release button ⊙.

**TO TOGGLE DIMMING MODE:**

1. Long hold on both button OFF and DOWN. You will see LED is on.
2. Wait until the LED is off
3. While still pressing Power button, release button DOWN.
4. Keep pressing button OFF and have a short press on the button DOWN.
5. You will see LED blink once for command sent confirmation. Release the power button.