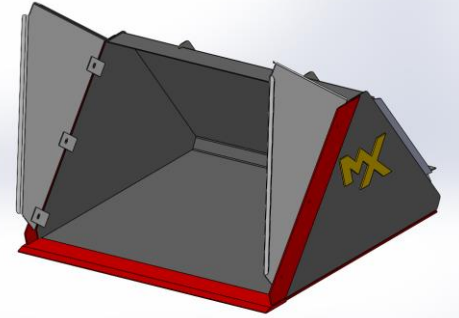


# Assembly instruction

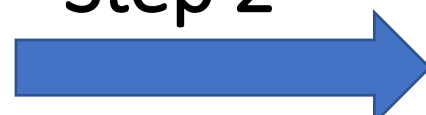
Step 1



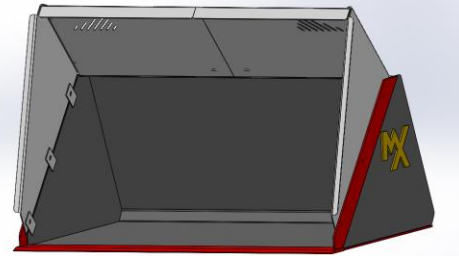
Bolt left and right side  
(number 1 and 2)



Step 2



Bolt back plates  
(number 3 and 4)



Step 3



Bolt connector plate  
(number 5)

