



Please, read the full product guide included in the box or on our website.

www.evapolar.com

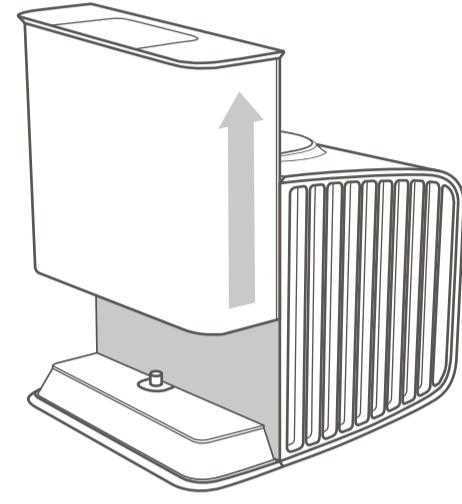


2017 Evapolar Ltd. All rights reserved.

evaSMART™ QUICK START GUIDE

WELCOME!

REMOVE WATER TANK

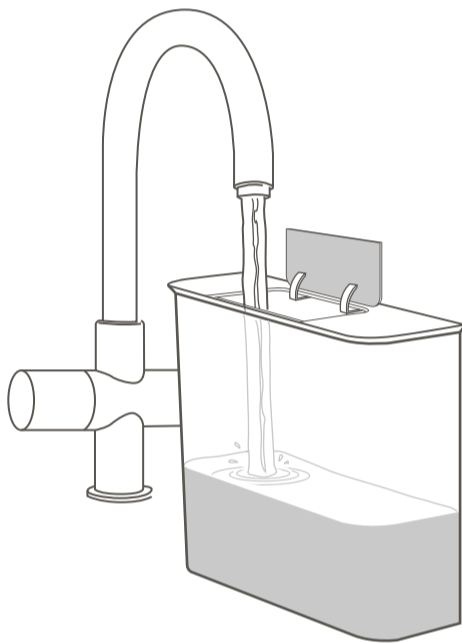


Slide the water reservoir up.

FILL WITH WATER 1300 ml

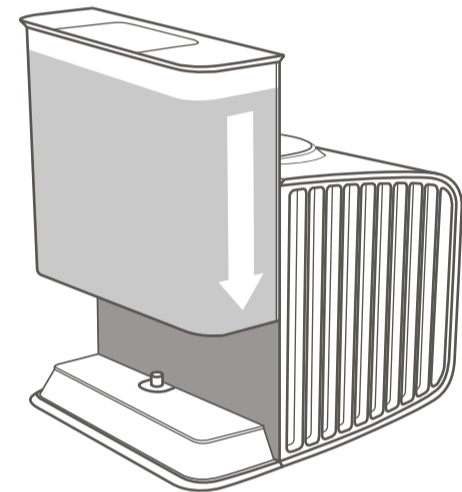


During the first cartridge filling there will be quick water saturation on evaporative pads. This is normal and will enable your device to work properly.



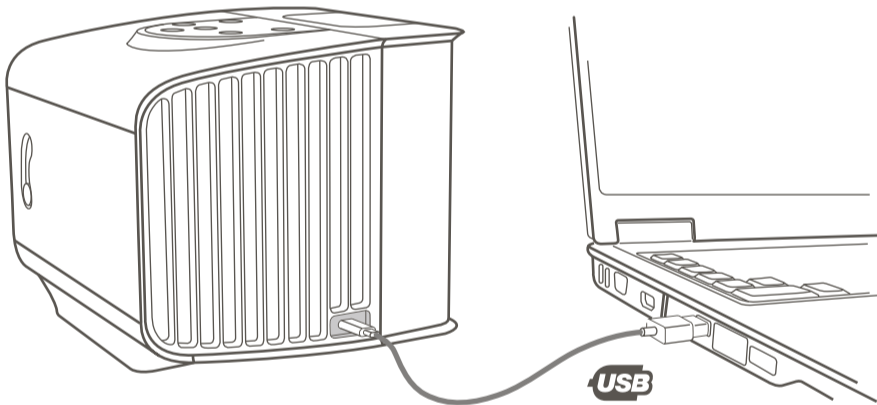
Open the lid to fill up the reservoir. Fill with water.

PLACE WATER TANK ONTO BASE



Place the reservoir back onto the base. Make sure it is installed properly.

PLUG IN DEVICE INTO POWER SOURCE



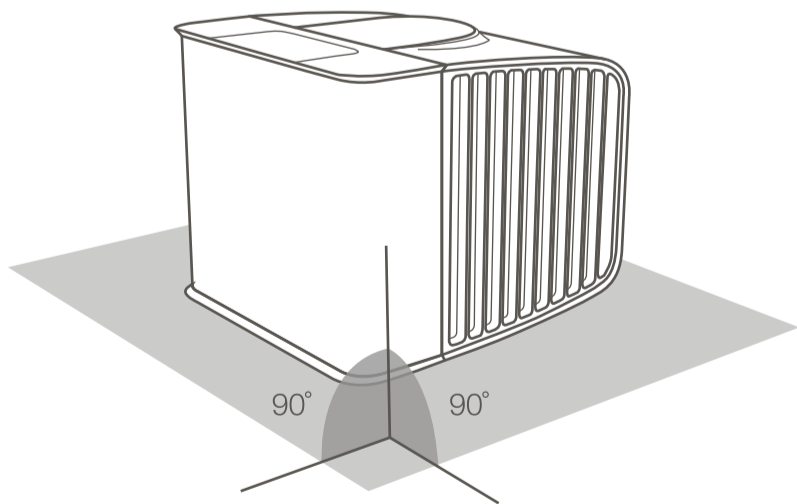
Use the cable to connect the device to the power source: power bank, power socket, laptop, etc.

MANAGE evaSMART FROM YOUR PHONE



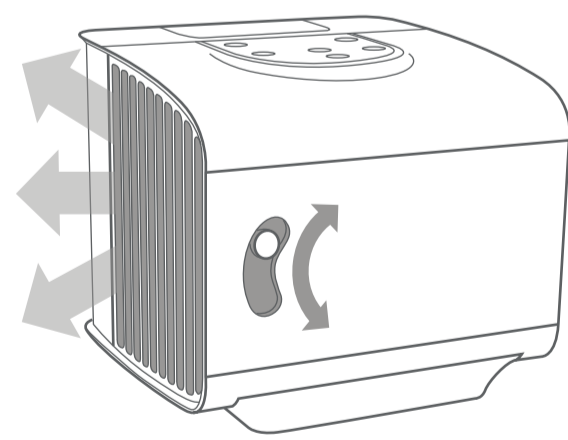
To access full list of features, please, connect your device to Wi-Fi network and download Evapolar mobile applications.

FIND BETTER PLACE



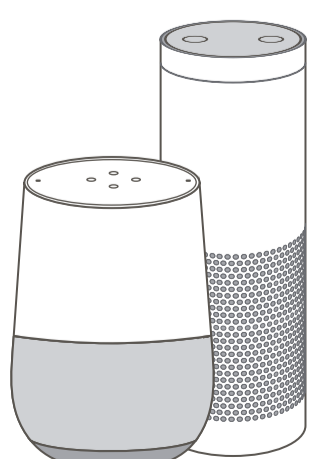
Use the device on the stable and even surface. Do not tilt the device to prevent water leakage and damages. Before movement or transportation, it is highly recommended to empty the reservoir and set the device to run on the maximum fan speed for at least one hour to dry the water out from the internal reservoir.

ADJUST AIRFLOW



You can adjust the airflow directions by moving the trigger on the side of the device.

CAN DO MORE WITH YOUR VOICE



Can be managed with voice commands. Works with Google Home and Amazon Alexa.

Full instructions are available via the following link:



evapolar.com/docs/evasmart

For additional guidance and more information contact Evapolar support:

support.evapolar.com