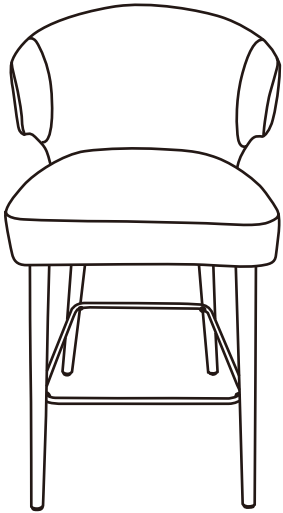




# ASSEMBLY INSTRUCTIONS

ITEM# CVFZR5133/5134

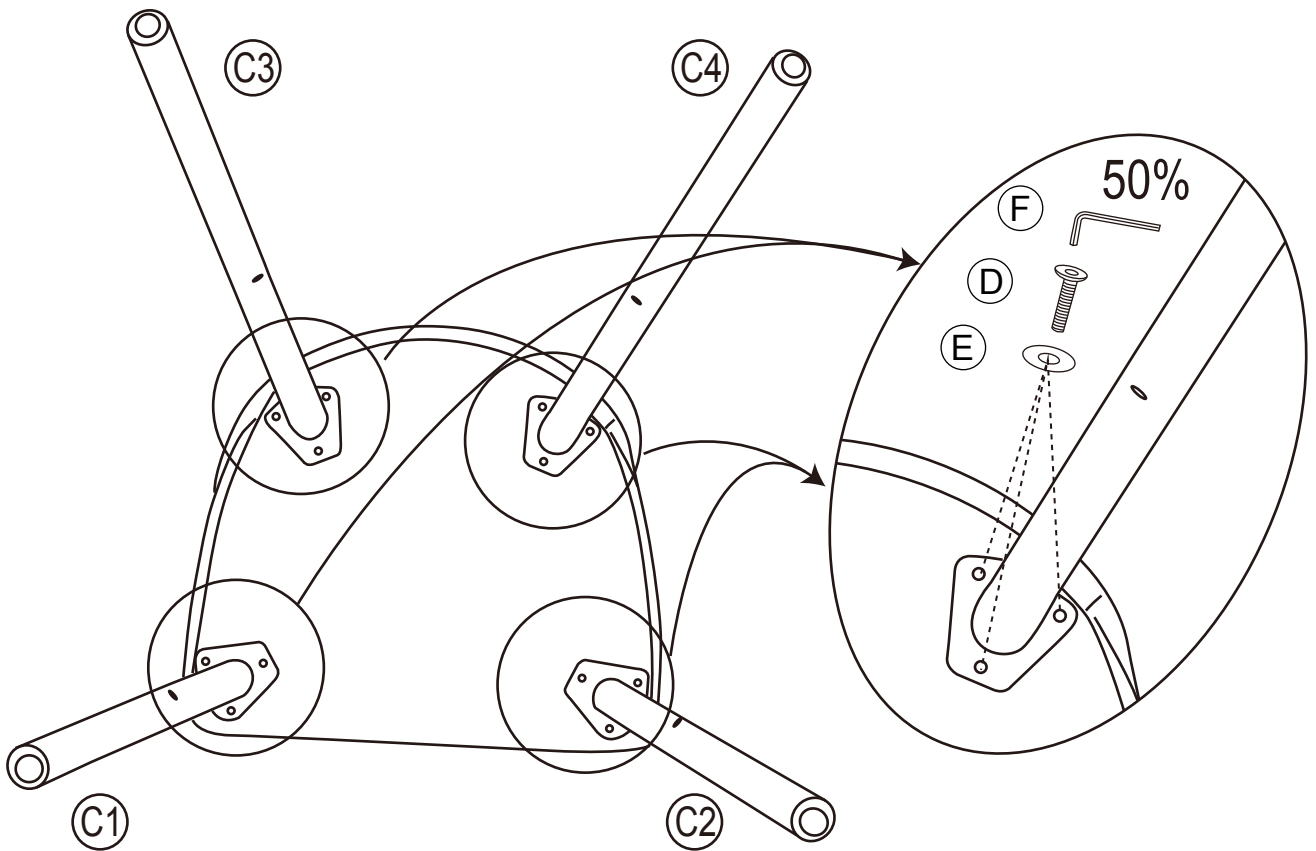


## PARTS LIST

	DESCRIPTION	Q'ty
A	Chair Seat	1
B	Frame	1
C1	Leg	1
C2	Leg	1
C3	Leg	1
C4	Leg	1

## HARDWARE LIST

NO.	DESCRIPTION	Q'ty
D	SCREWS	16
E	FLAT WASHER RING	12
F	ALLEN KEY	1



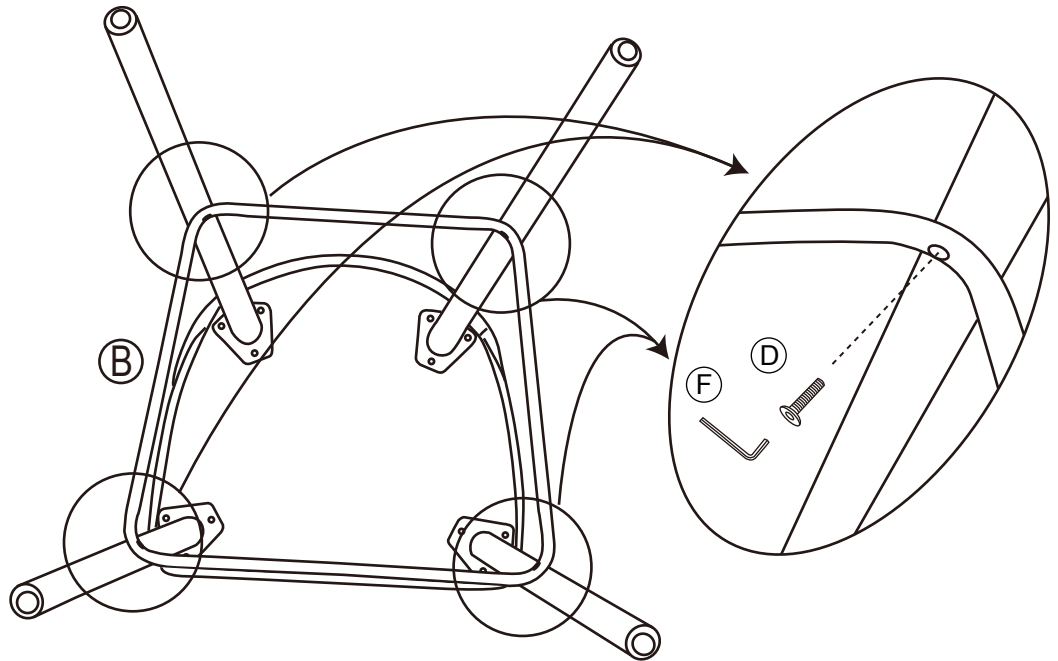
**STEP 1**



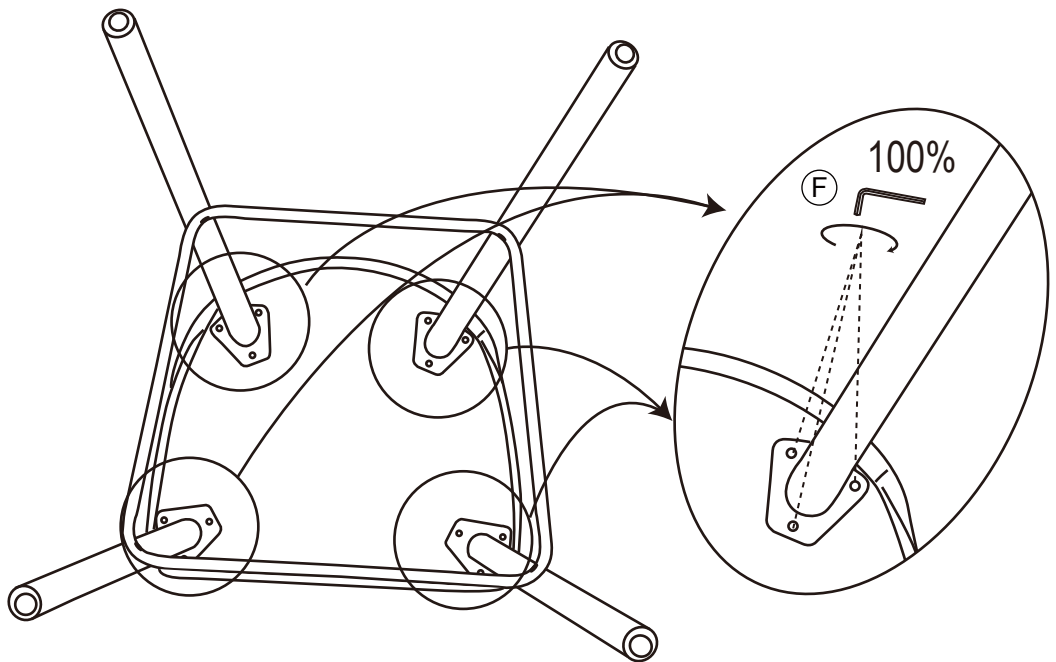
# ASSEMBLY INSTRUCTIONS

ITEM# CVFZR5133/5134

STEP 2



STEP 3



FINISH

