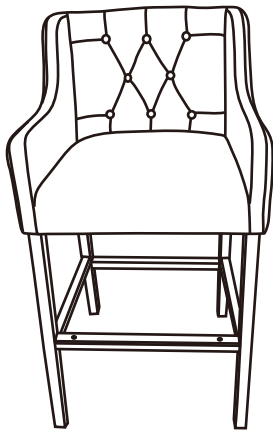









ASSEMBLY INSTRUCTIONS






ITEM# CVFZR5132

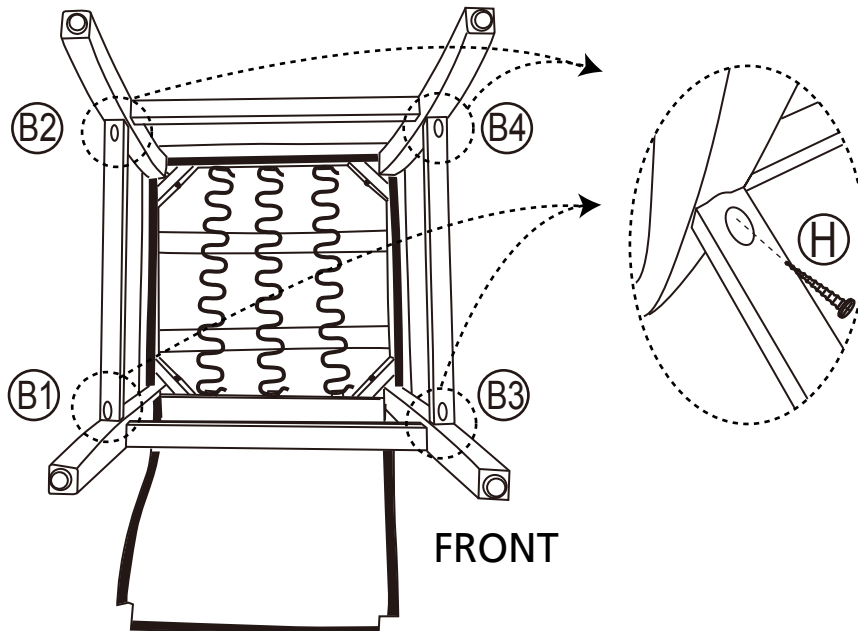
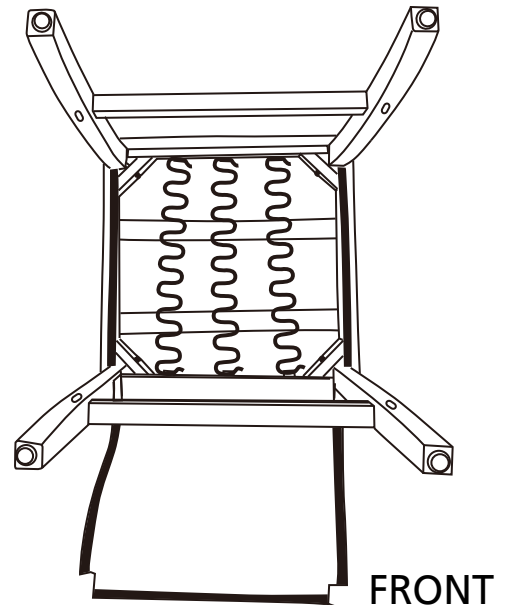
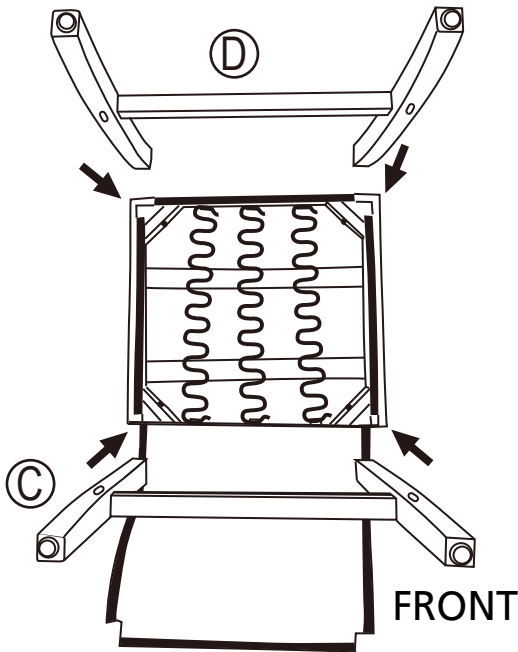


PARTS LIST

	DESCRIPTION		Q'ty
A	Chair Seat		1
B	Wooden Batten		1
	Wooden Batten		1
C	Front Legs		1
D	Back Legs		1

HARDWARE LIST

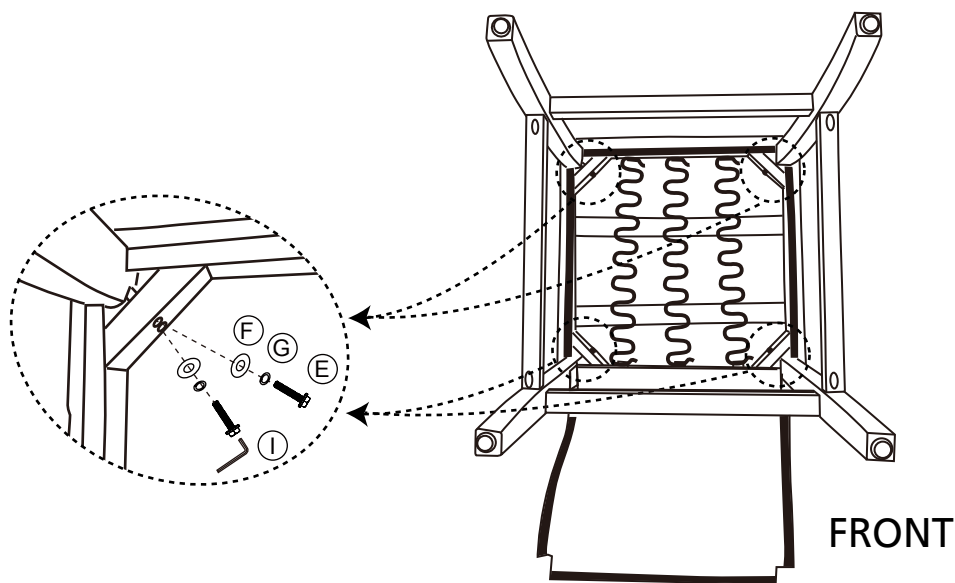
NO.	DESCRIPTION		Q'ty
E	SCREWS	 M8*60MM	8
F	FLAT WASHER RING		8
G	SPRING WASHER RING		8
H	SCREWS	 φ5*45	4
I	ALLEN KEY		1



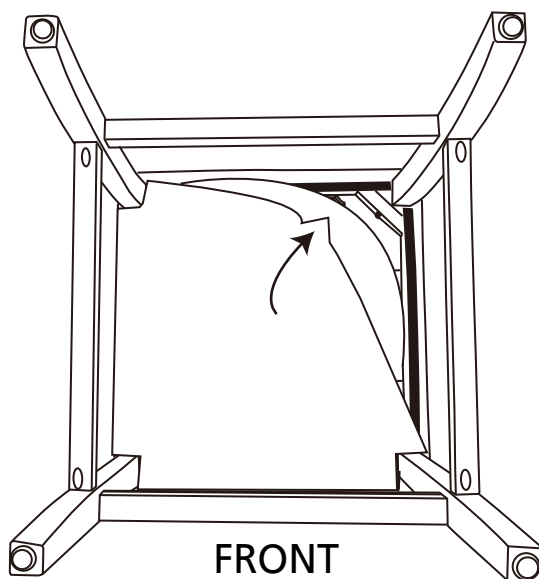


ASSEMBLY INSTRUCTIONS

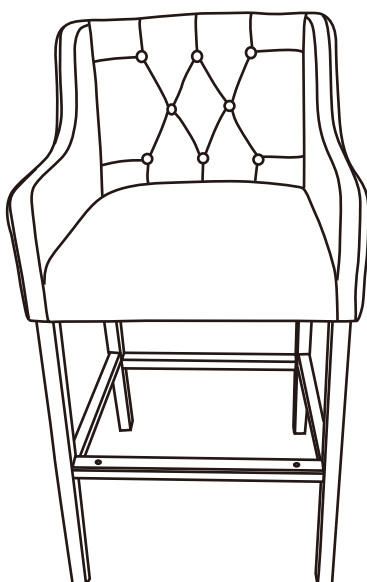
ITEM# CVFZR5132



STEP3



STEP4



FINISH