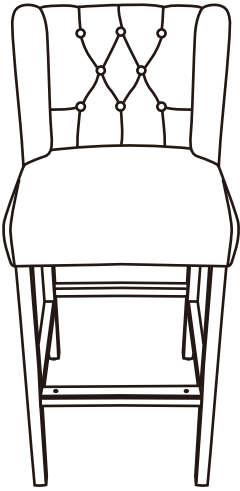








ASSEMBLY INSTRUCTIONS






ITEM# CVFZR5131

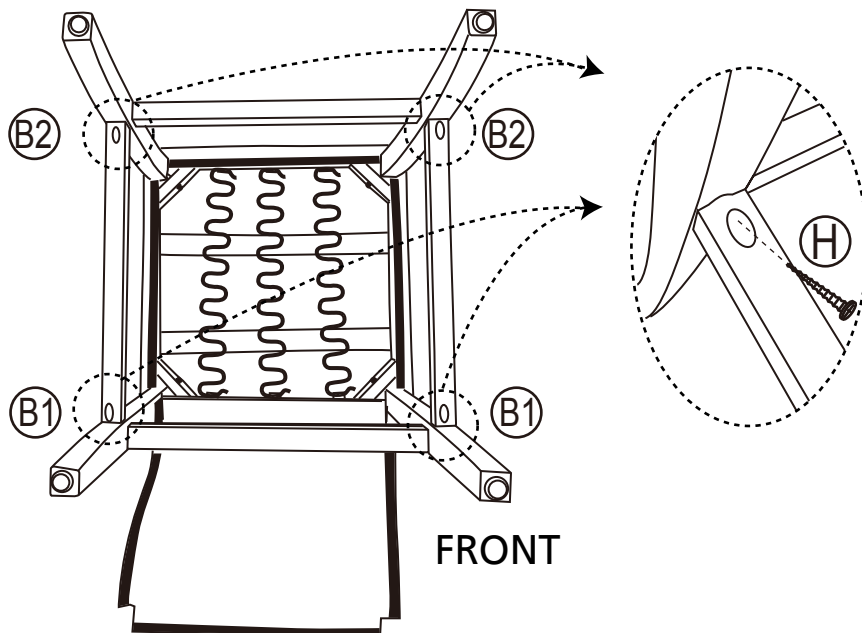
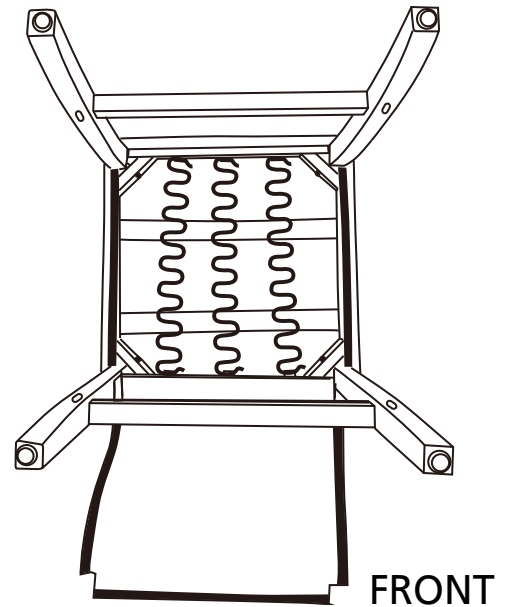
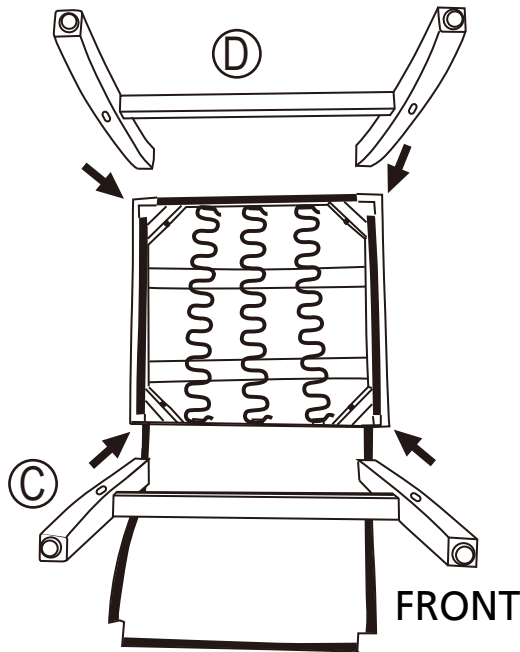


PARTS LIST

	DESCRIPTION	Q'ty
A	Chair Seat 	1
B	Wooden Batten 	2
C	Front Legs 	1
D	Back Legs 	1

HARDWARE LIST

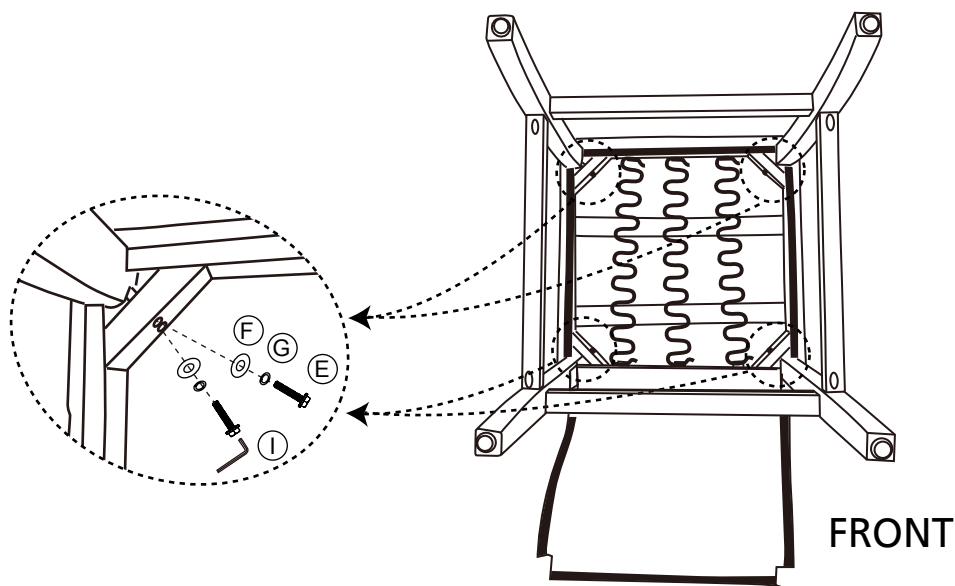
NO.	DESCRIPTION	Q'ty
E	SCREWS  M8*60MM	8
F	FLAT WASHER RING 	8
G	SPRING WASHER RING 	8
H	SCREWS  φ5*45	4
I	ALLEN KEY 	1



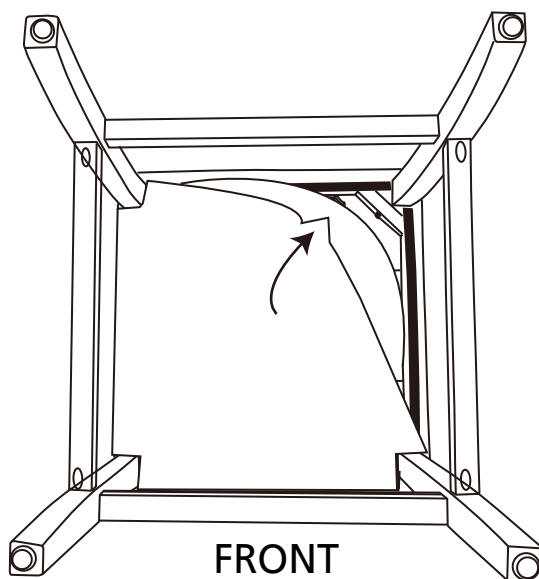


ASSEMBLY INSTRUCTIONS

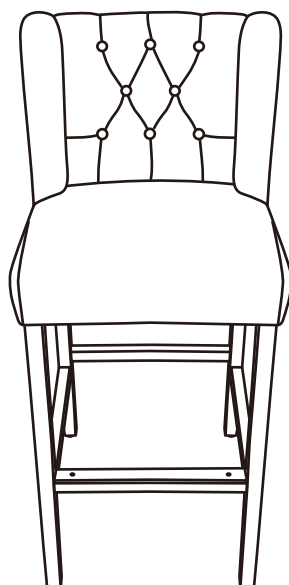
ITEM# CVFZR5131



STEP3



STEP4



FINISH