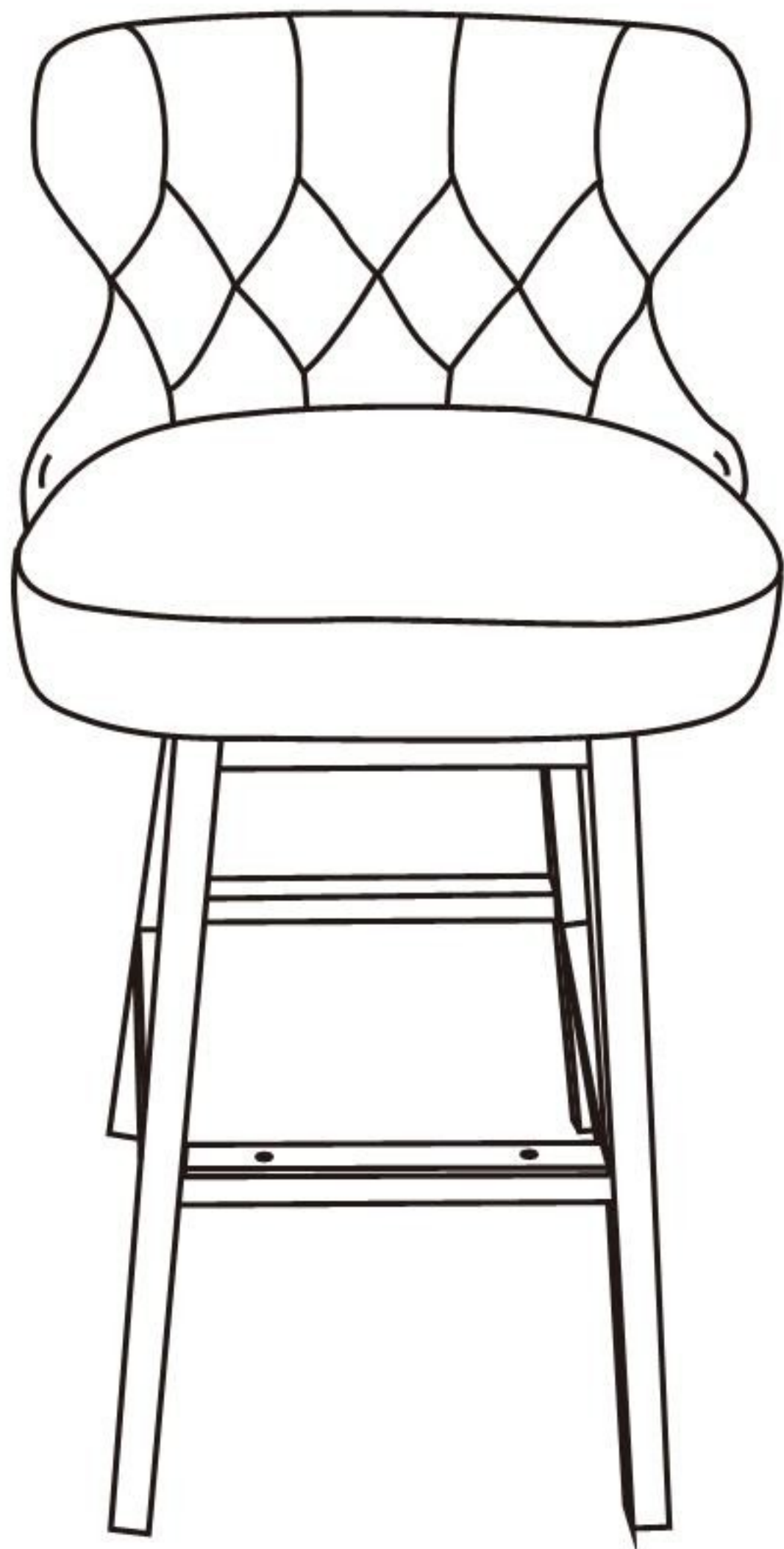




ASSEMBLY INSTRUCTIONS

ITEM# CVFZR5129/5130

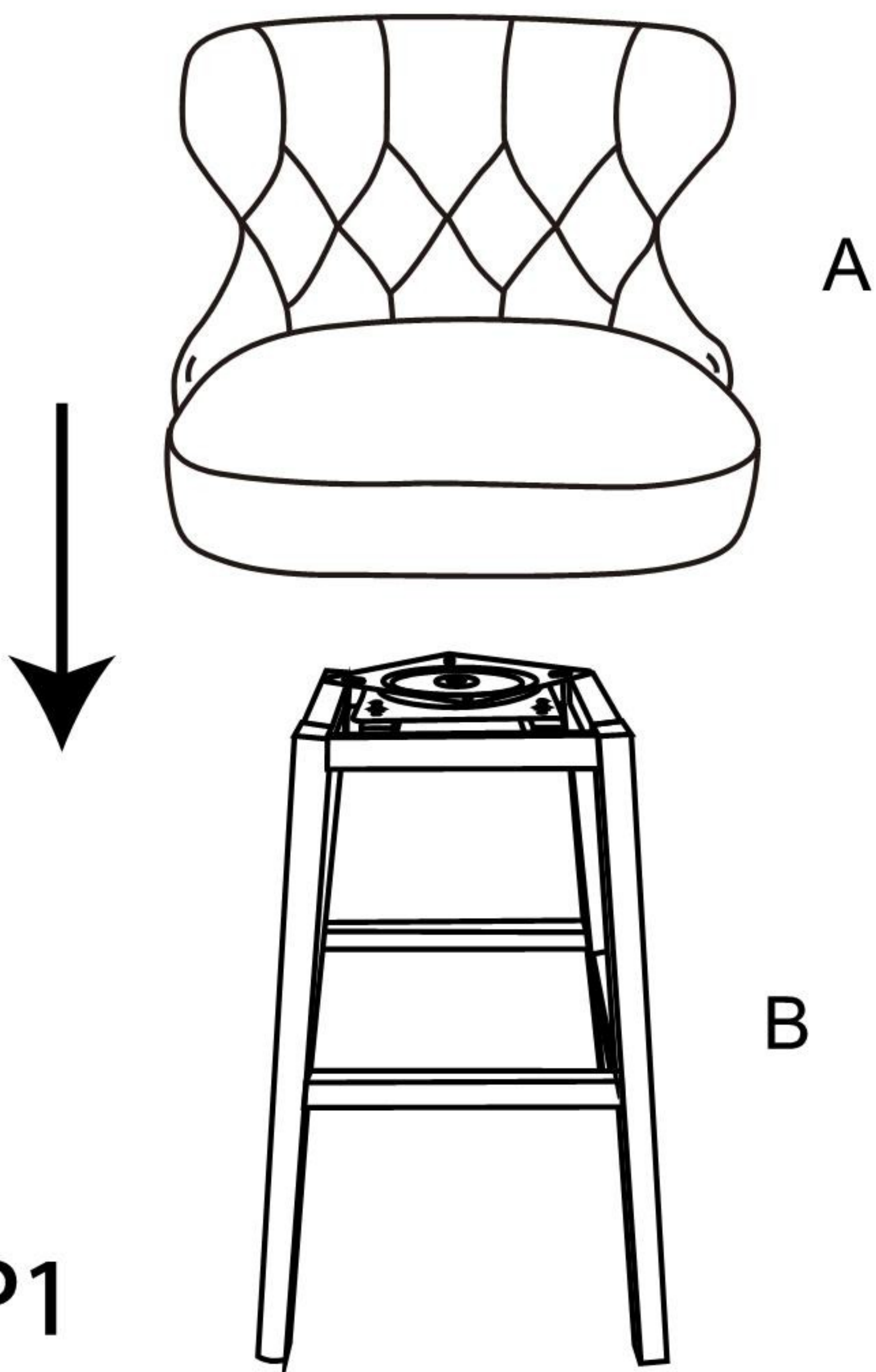


PARTS LIST

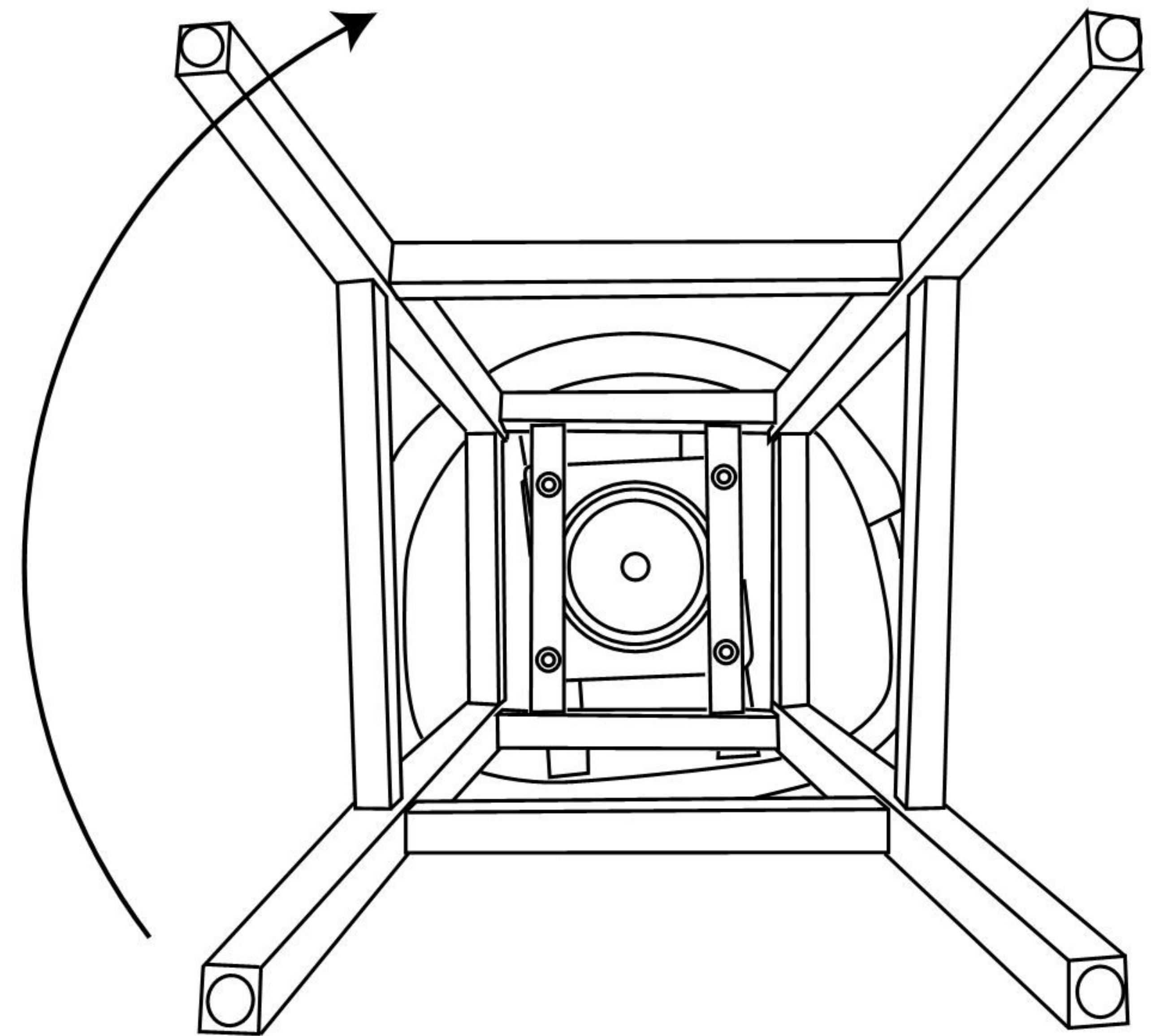
	DESCRIPTION	Q'ty
A	Chair Seat	1
B	Leg	1

HARDWARE LIST

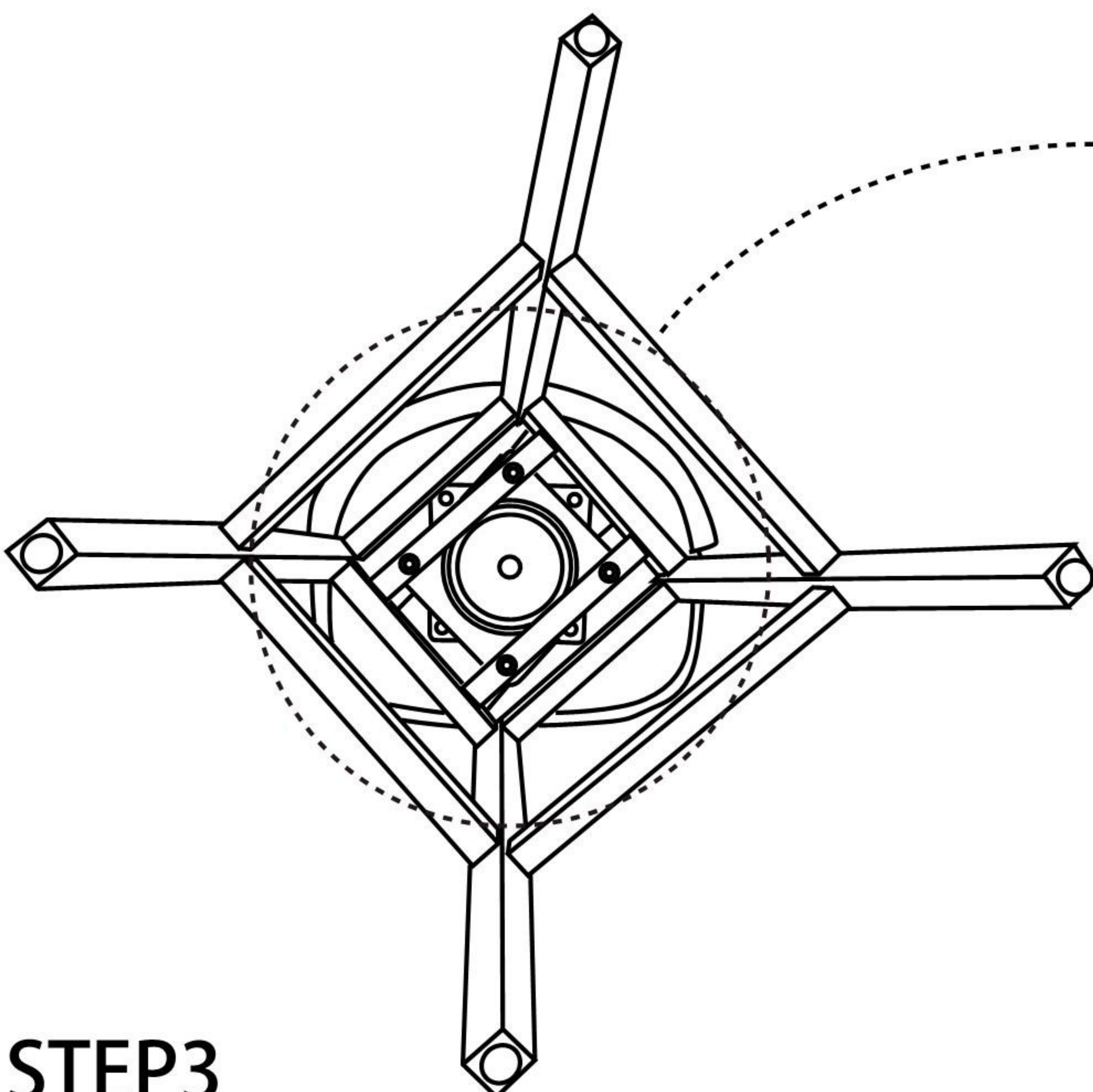
NO.	DESCRIPTION	Q'ty
C	SCREWS	4
D	FLAT WASHER RING	4
E	ALLEN KEY	1



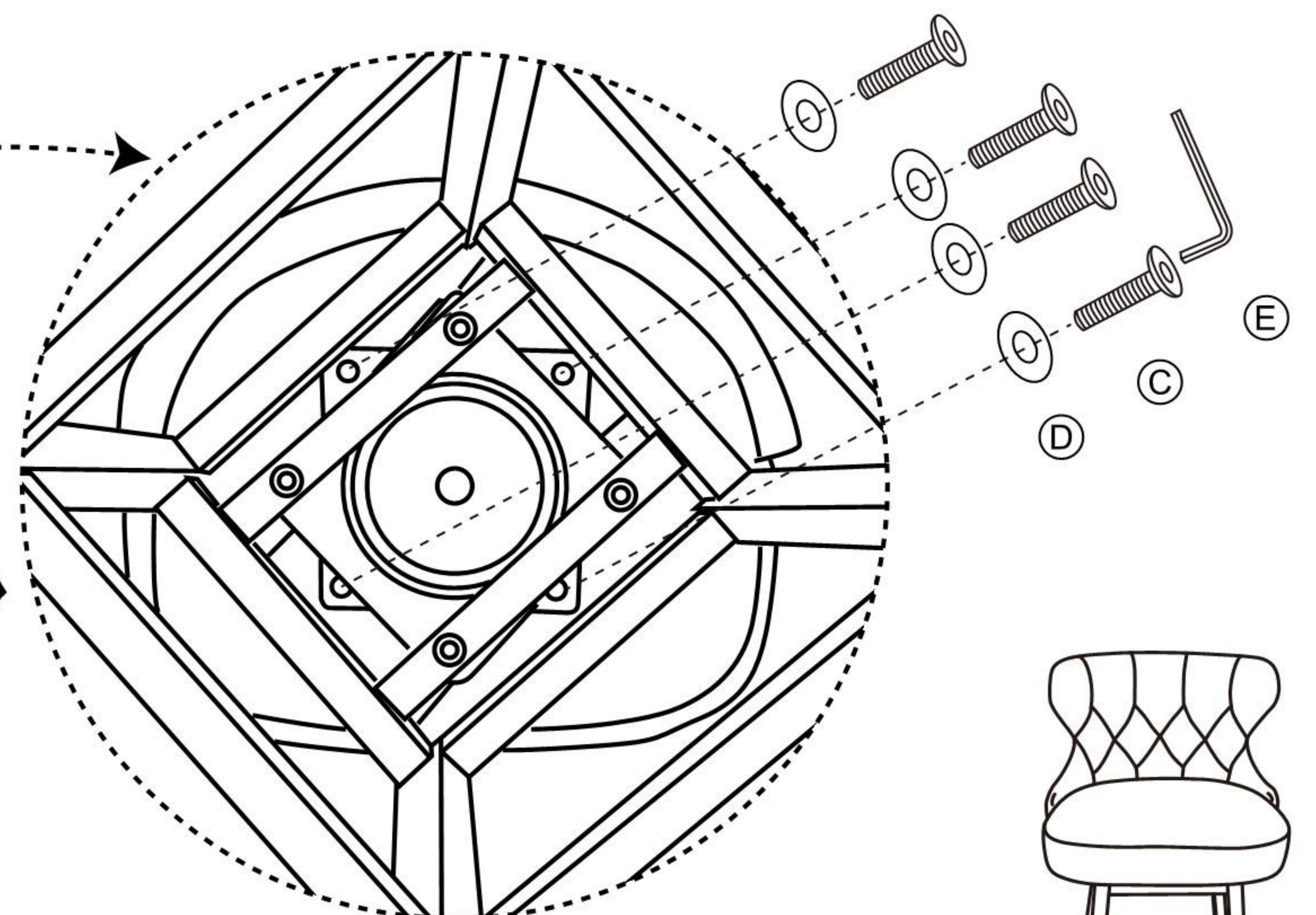
STEP1



STEP2



STEP3



FINISH

