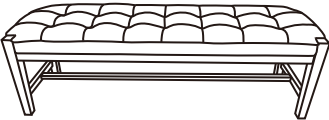




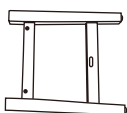



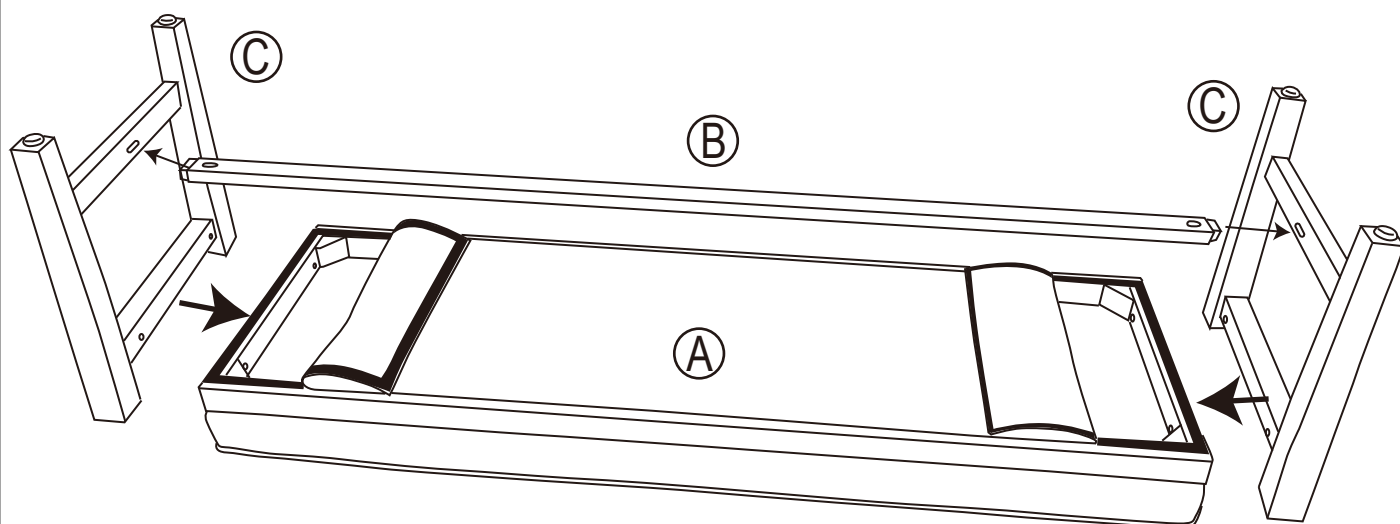




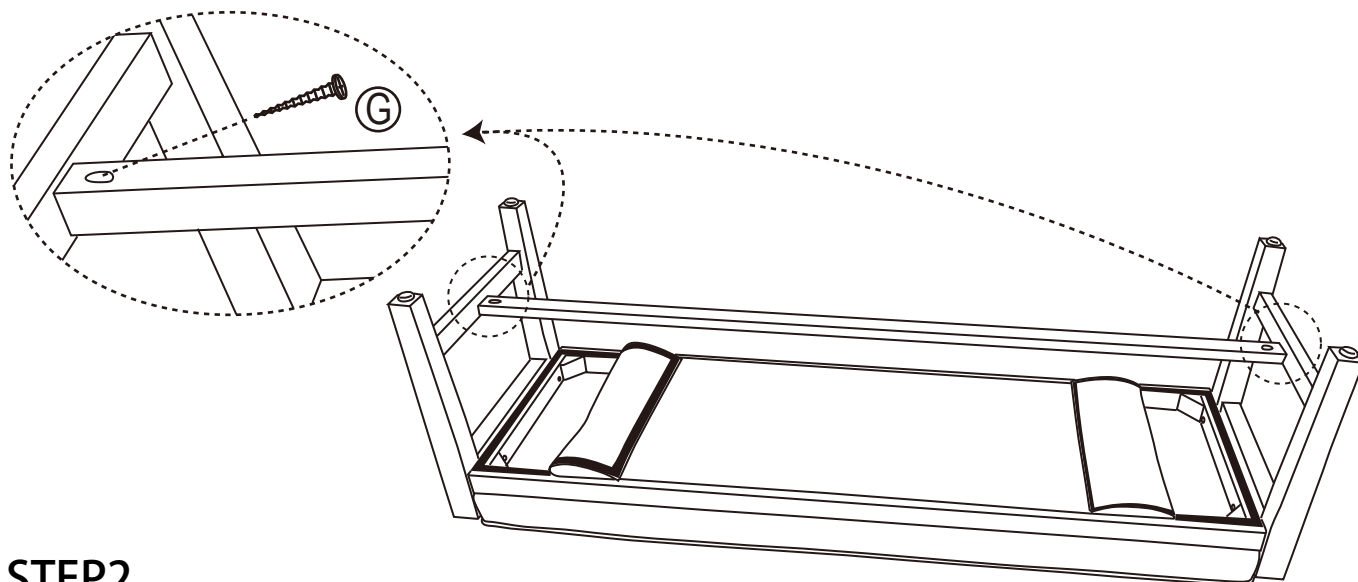
ASSEMBLY INSTRUCTIONS

ITEM# CVFZR5124

PARTS LIST				HARDWARE LIST			
	DESCRIPTION		Q'ty	NO.	DESCRIPTION		Q'ty
	A	Bench Seat		1	D	SCREWS  M8*60MM	4
	B	WOODEN BATTEN		1	E	FLAT WASHER RING 	4
	c	Legs		2	F	SPRING WASHER RING 	4
				G	SCREWS  φ5*35	2	
				H	ALLEN KEY 	1	



STEP1

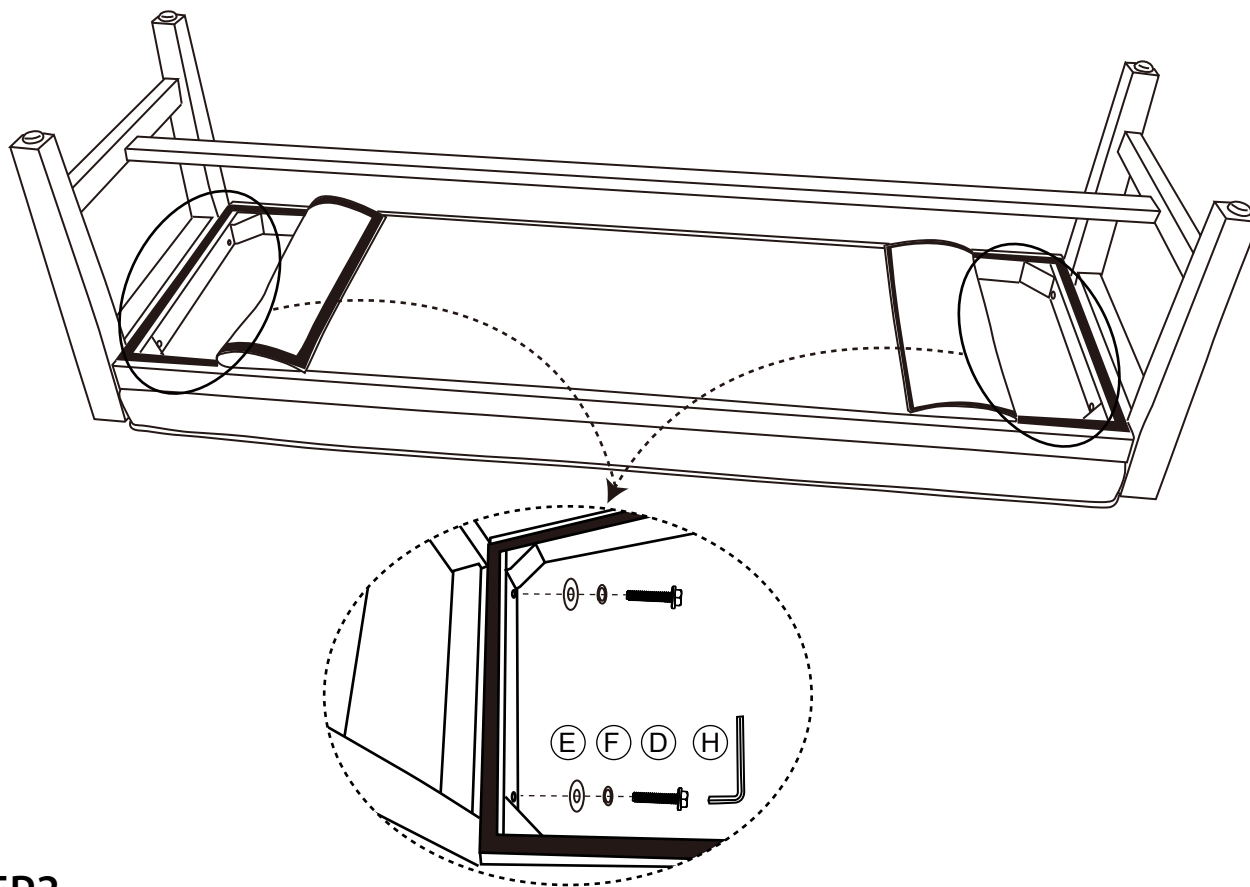


STEP2

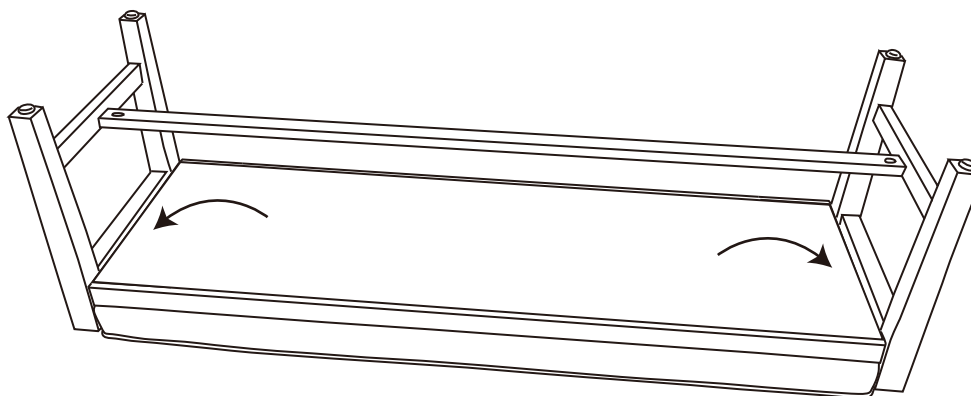


ASSEMBLY INSTRUCTIONS

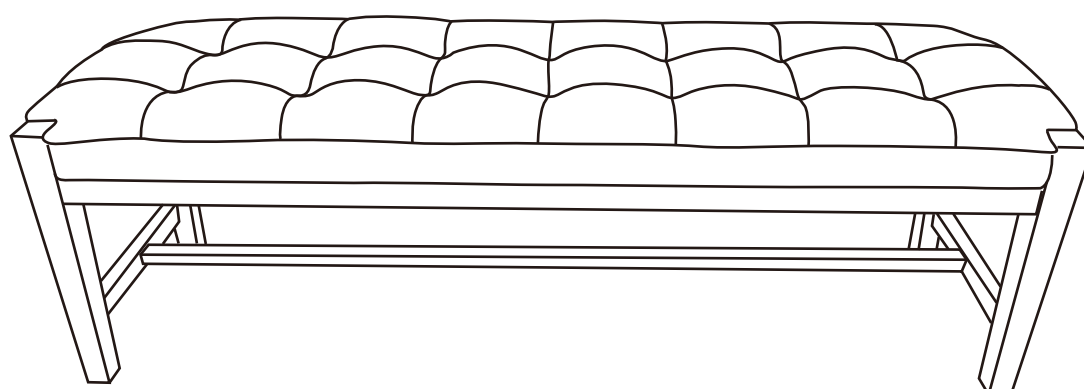
ITEM# CVFZR5124



STEP3



STEP4



FINISH