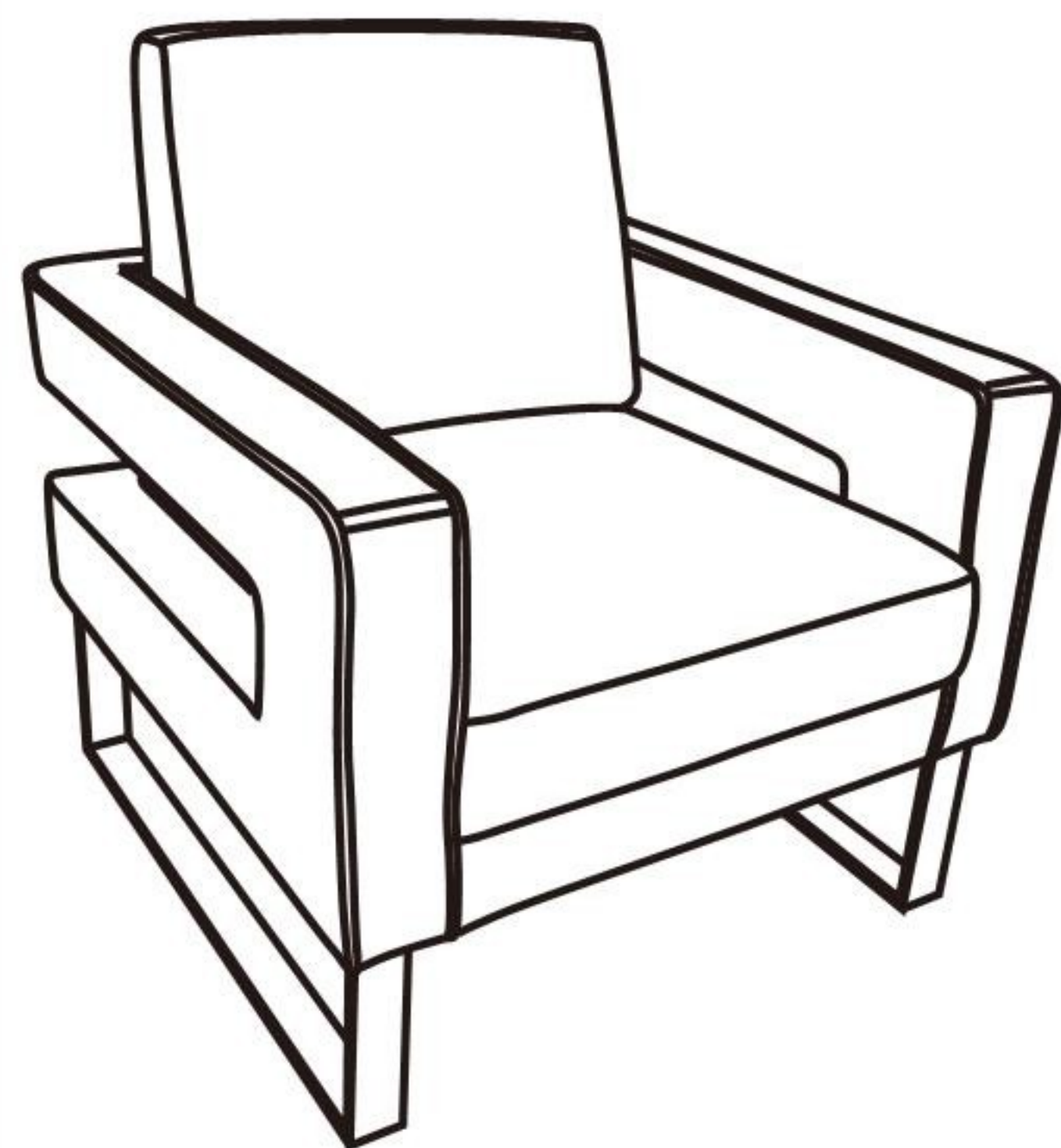




# ASSEMBLY INSTRUCTIONS

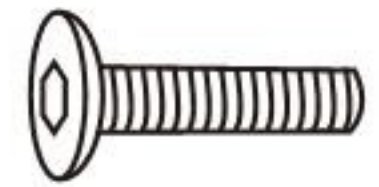



ITEM# CVFZR5119/5120

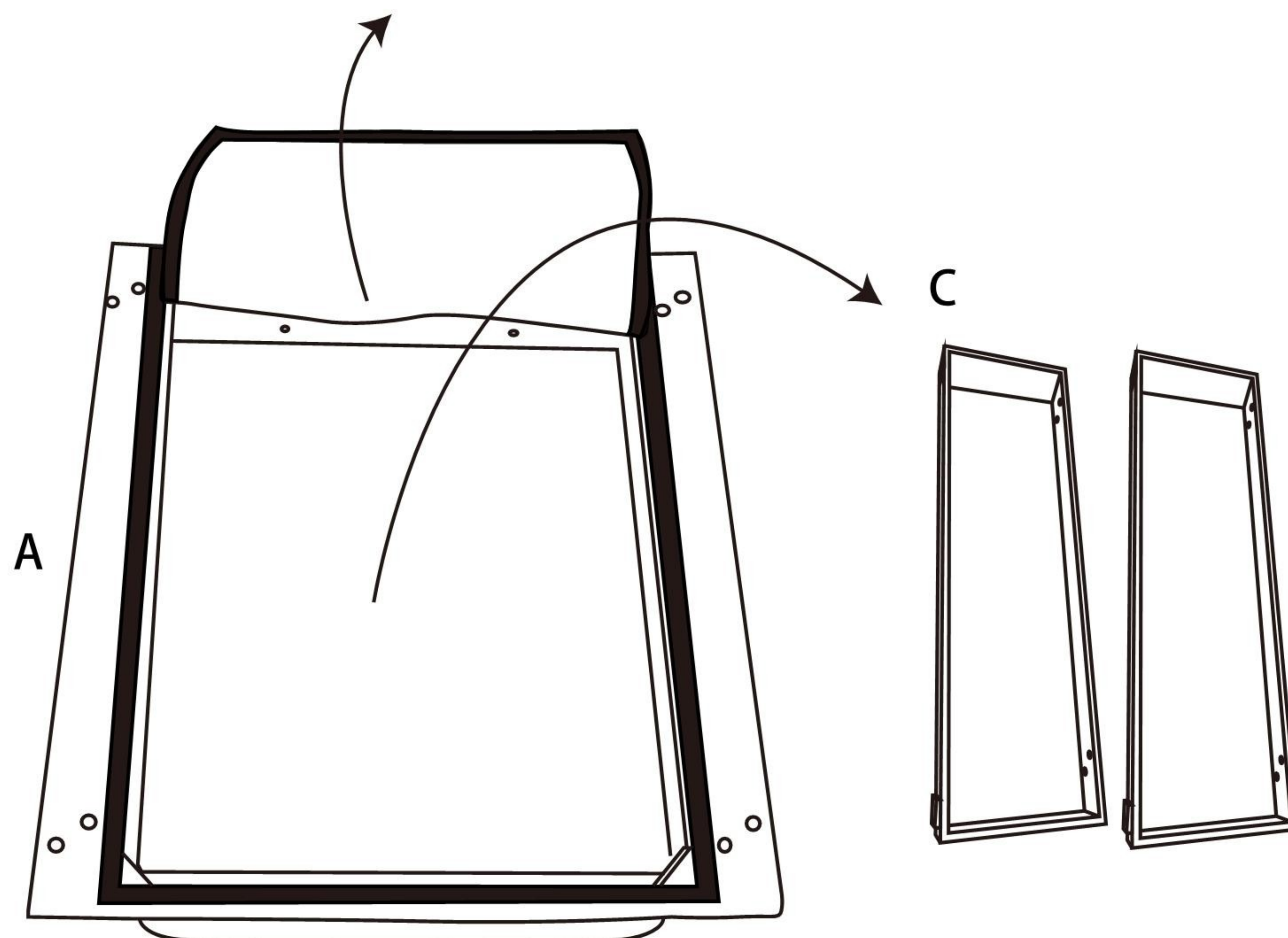


## PARTS LIST

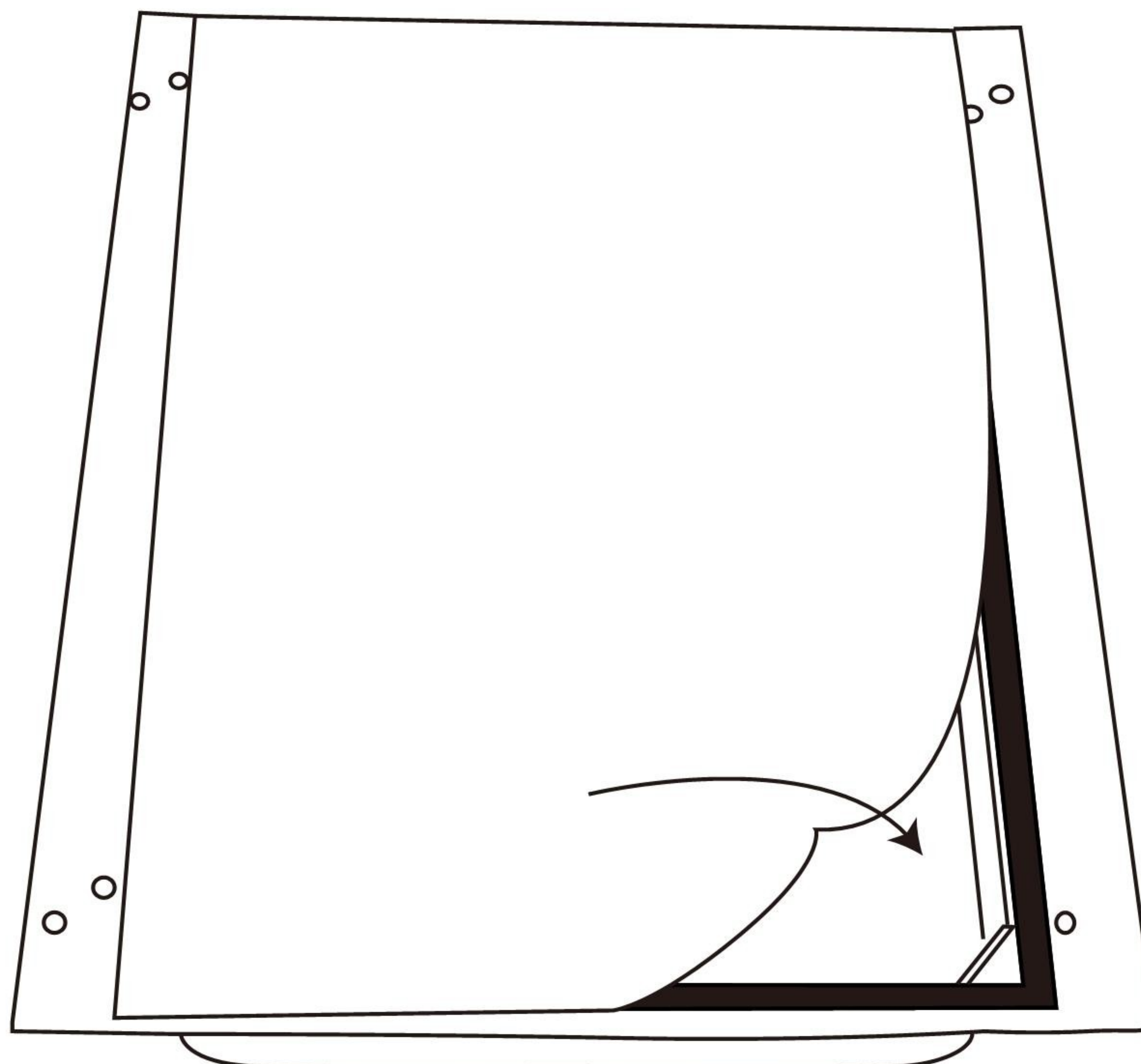
	DESCRIPTION	Q'ty
A	Chair Seat	1
B	Back	1
C	Legs	2

## HARDWARE LIST

NO.	DESCRIPTION	Q'ty
D	SCREWS  M8*30MM	8
E	WASHER 	8
F	SPRING WASHER 	8
G	ALLEN KEY 	1



STEP1

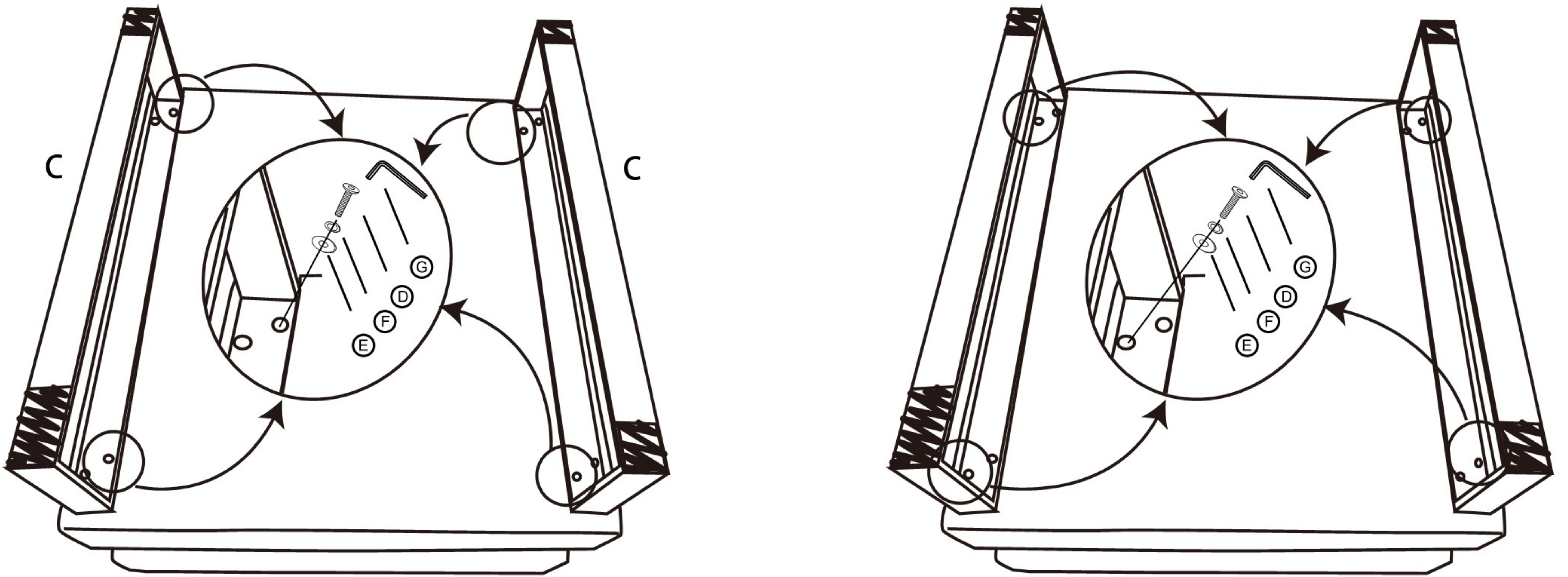


STEP2

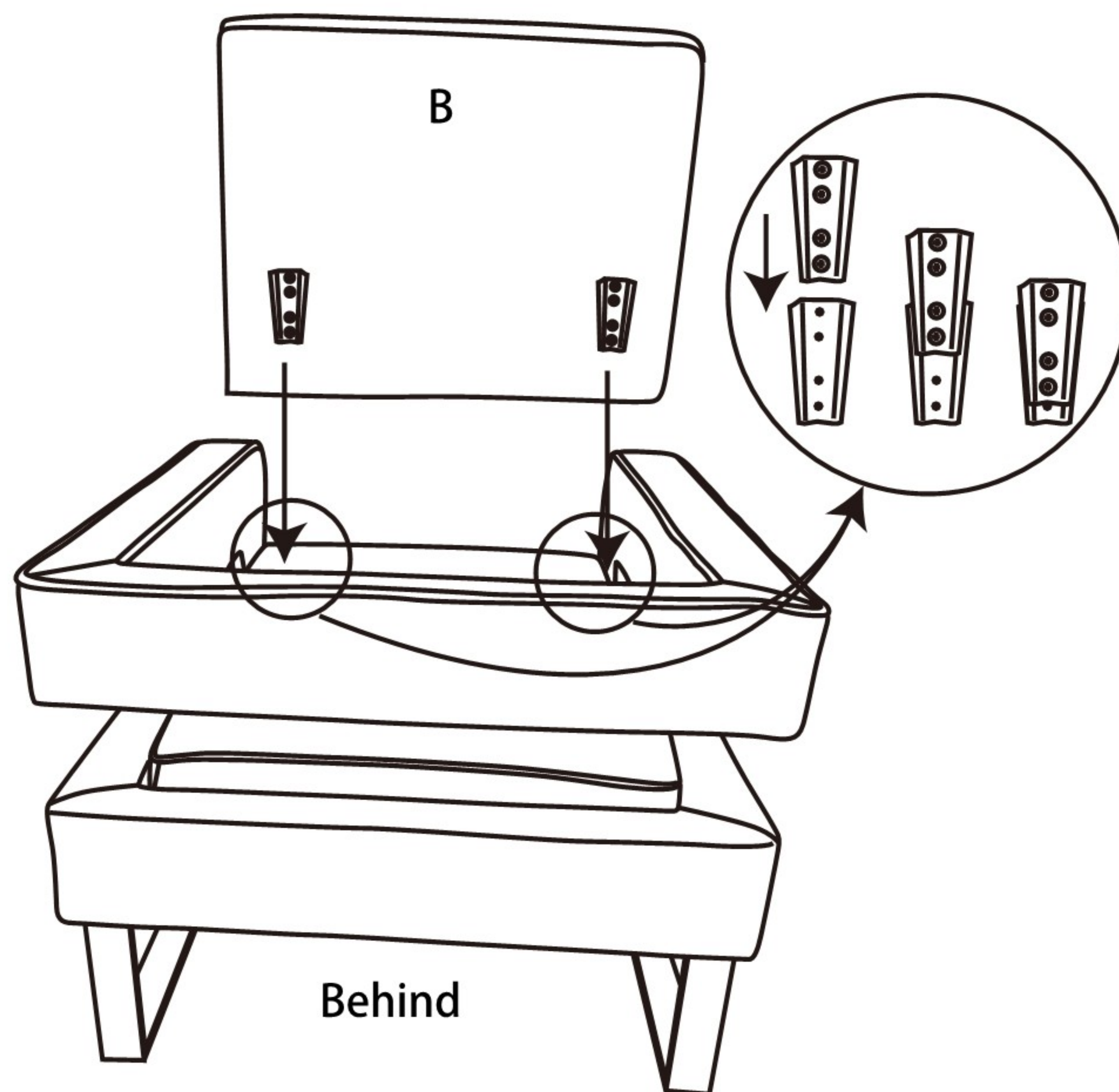


# ASSEMBLY INSTRUCTIONS

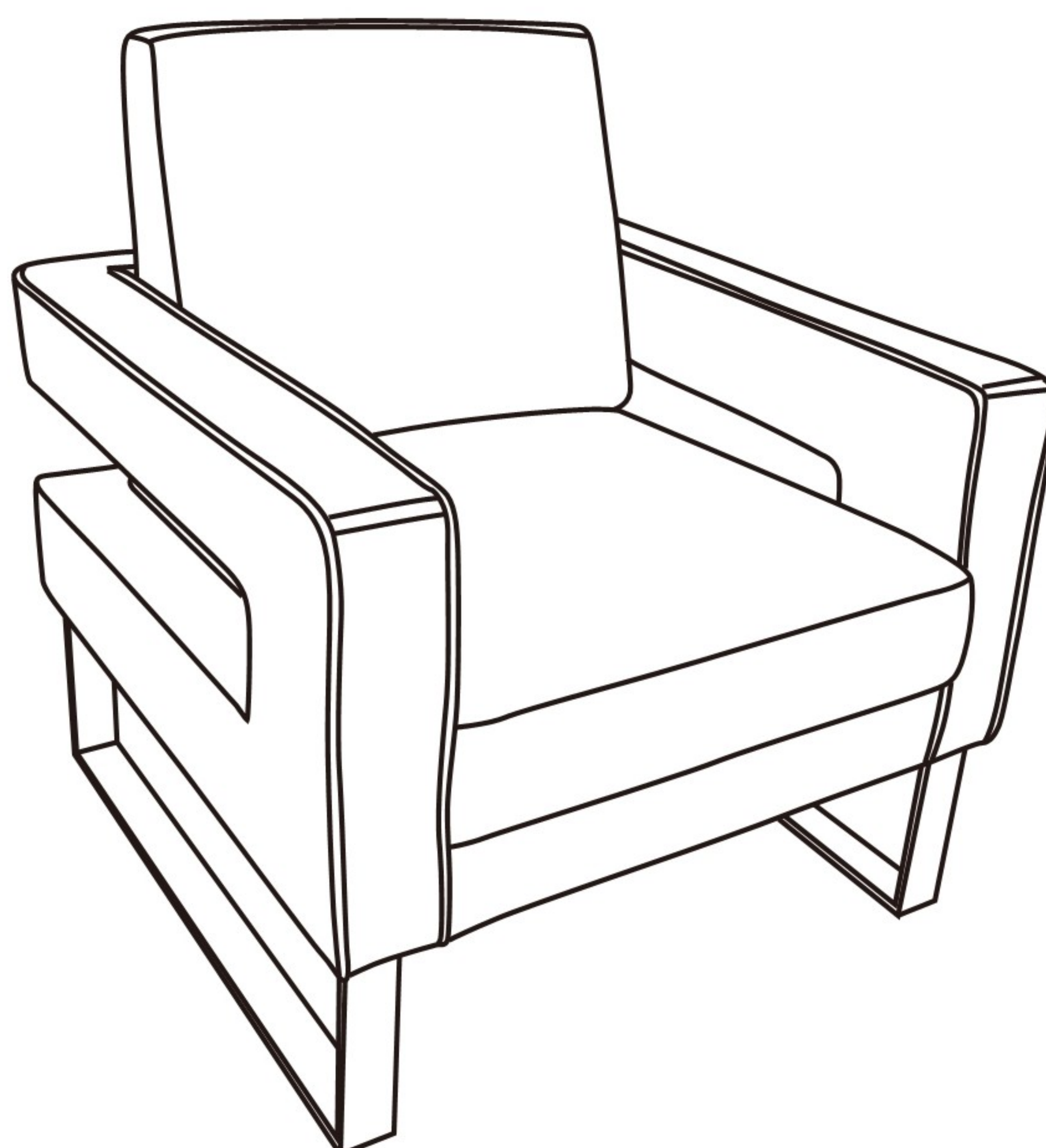
ITEM# CVFZR5119/5120



STEP3



STEP4



FINISH