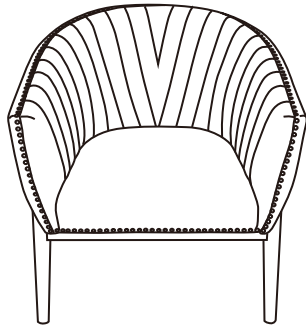




ASSEMBLY INSTRUCTIONS

ITEM# CVFZR5108



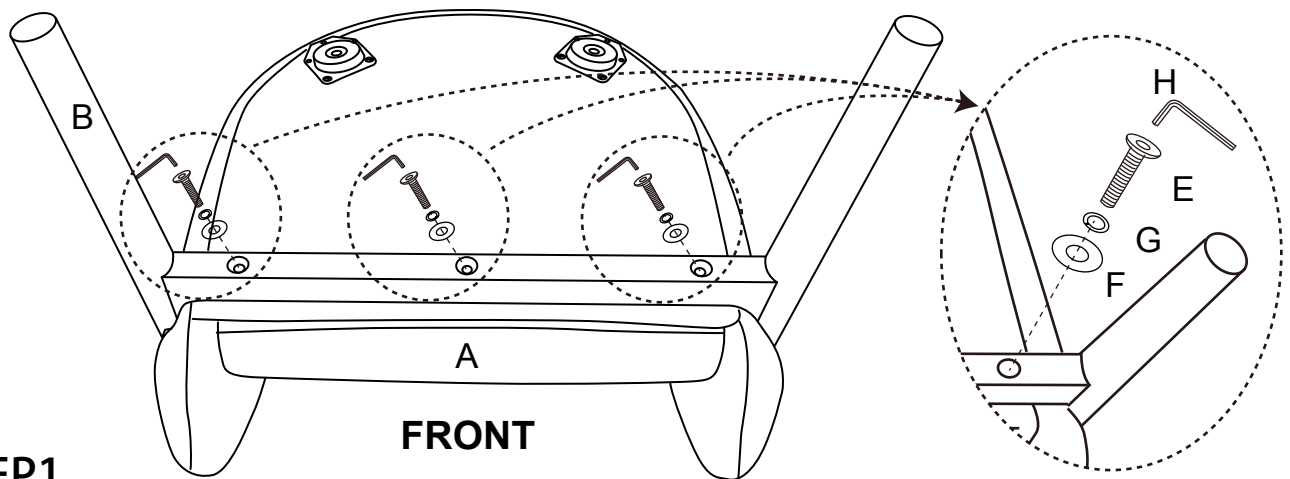
PARTS LIST

	DESCRIPTION	Q'ty
A	Chair Seat	1
B	Front Leg	1
c	Back Legs	2

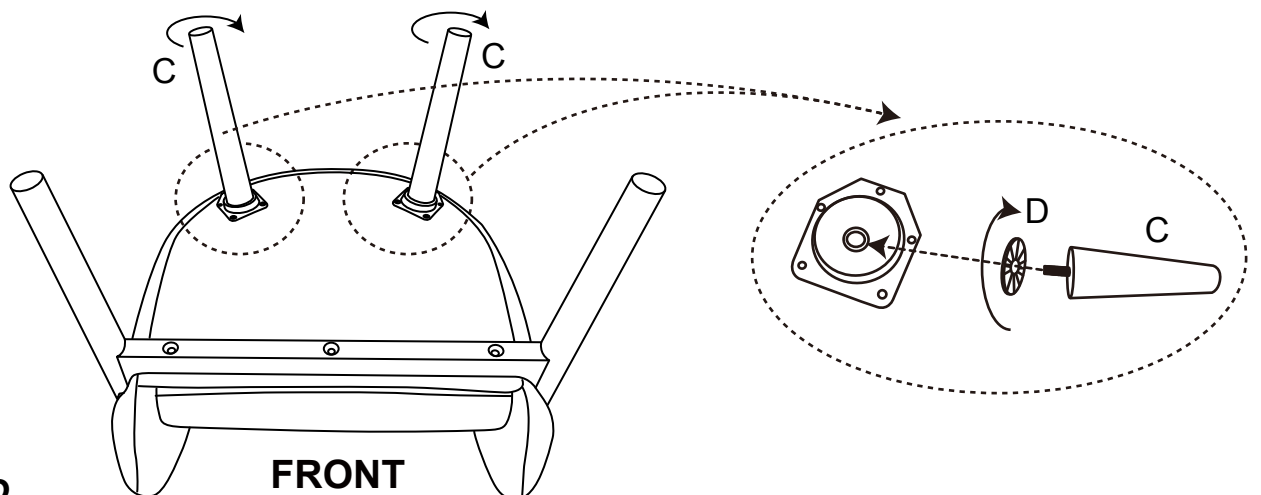
HARDWARE LIST

NO.	DESCRIPTION	Q'ty
D	Flat Washer	2
E	SCREWS	M8*60MM 3
F	FLAT WASHER RING	3
G	SPRING WASHER RING	3
H	ALLEN KEY	1

STEP1



STEP2



FINISH

