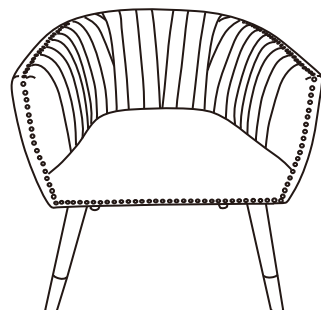




# ASSEMBLY INSTRUCTIONS

ITEM# CVFZR5107

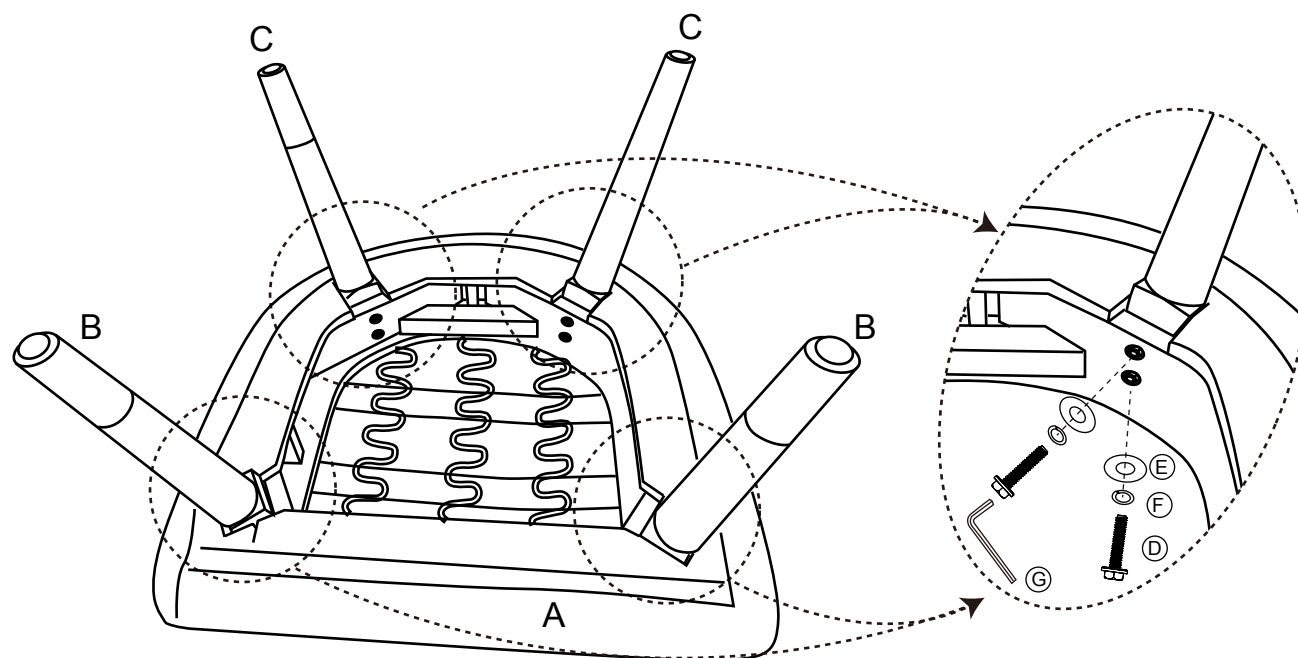


## PARTS LIST

	DESCRIPTION	Q'ty
A	Chair Seat	1
B	Front Leg	2
c	Back Legs	2

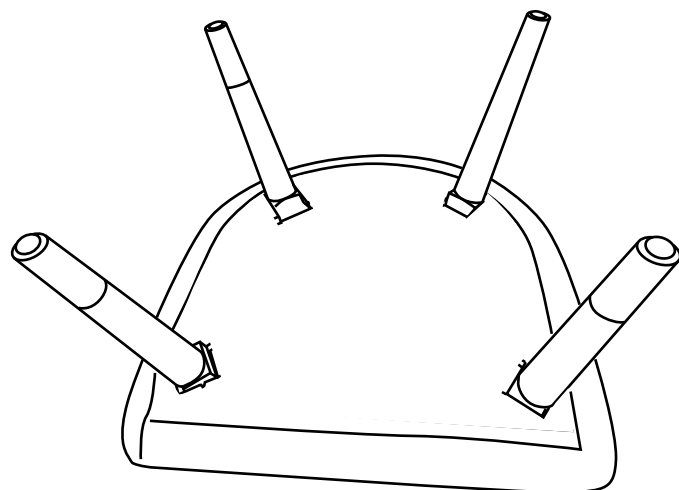
## HARDWARE LIST

NO.	DESCRIPTION	Q'ty
D	SCREWS	8
E	FLAT WASHER RING	8
F	SPRING WASHER RING	8
G	ALLEN KEY	1

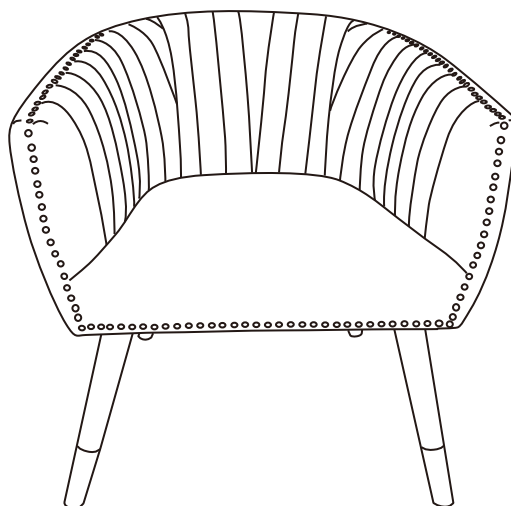


STEP1

FRONT



STEP2



FINISH