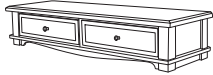



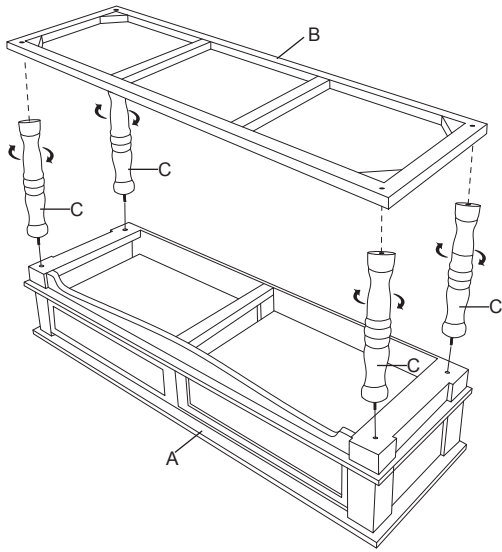


# Assembly Instruction

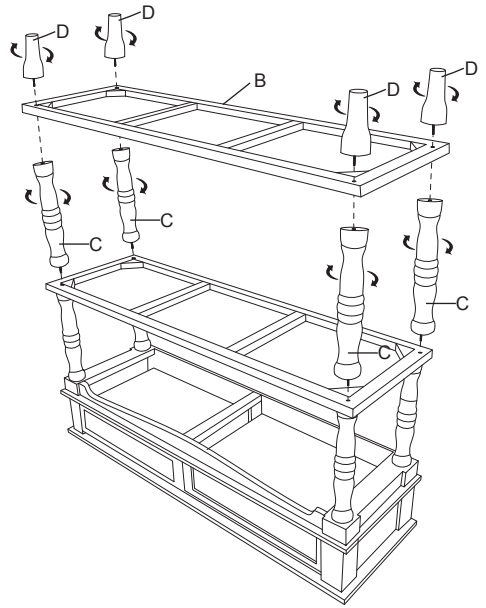
## ITEM#CVFZR4535

PARTS LIST						HARDWARE LIST					
NO.	DESCRIPTION		QTY	NO.	DESCRIPTION		QTY	NO.	DESCRIPTION		QTY
A	table top		1	C	middle leg		8				
B	shelf		2	D	bottom leg		4				

### Step 1



### Step 2



### Step 3

