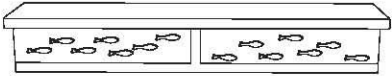







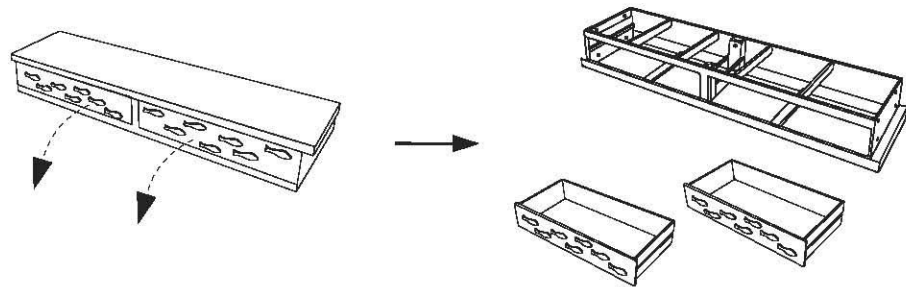


# Assembly Instructions

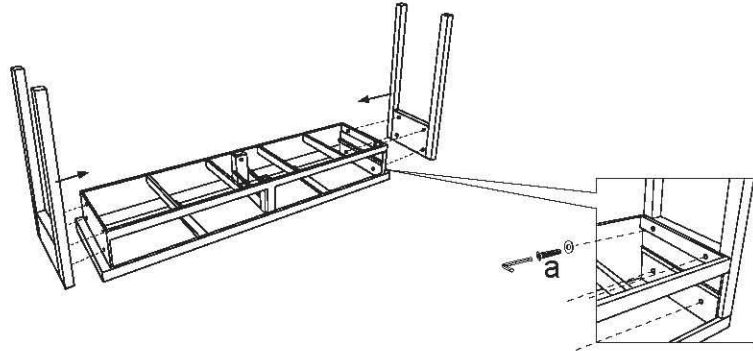
## ITEM#FZR3583

							
TOP	FRAME	LEG	SHELF	WASHER	LONG BOLT	SHORT BOLT	ALLEN KEY
1PC	2PCS	2PCS	1PC	16PCS	12PCS	4PCS	1PC

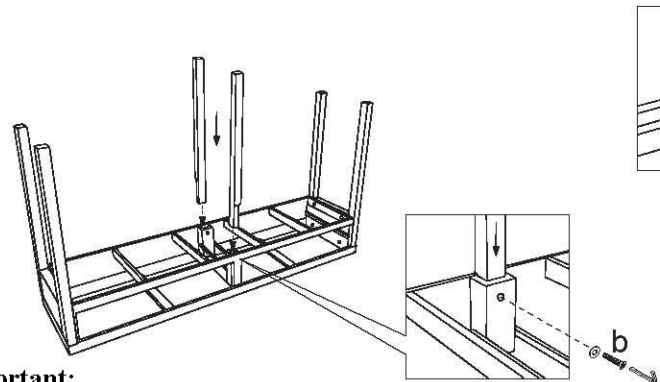
STEP 1



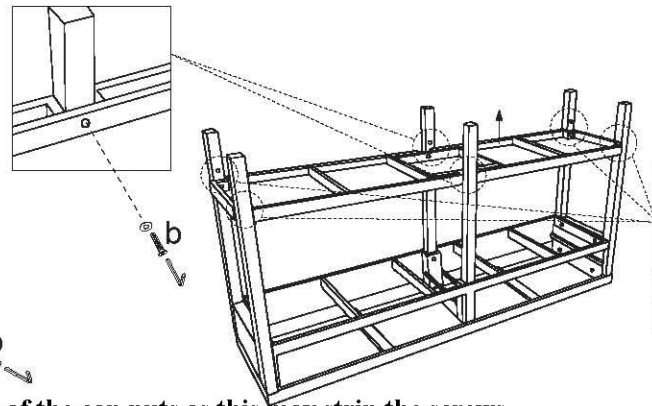
STEP 2



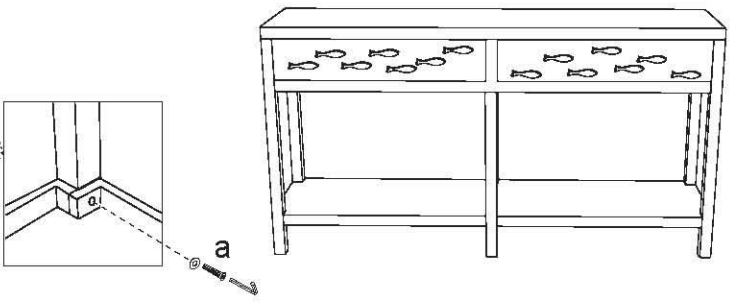
STEP 3



STEP 4



STEP 5



**Important:**  
Tighten each cap nuts firmly. **DON NOT** over tighten any of the cap nuts as this may strip the screws.  
**DO NOT** sit or stand on the table as this may damage the product and cause serious bodily injury.