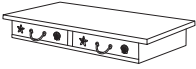


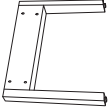


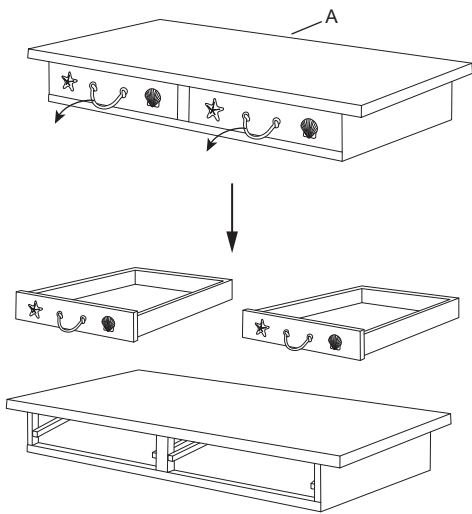


# Assembly Instruction

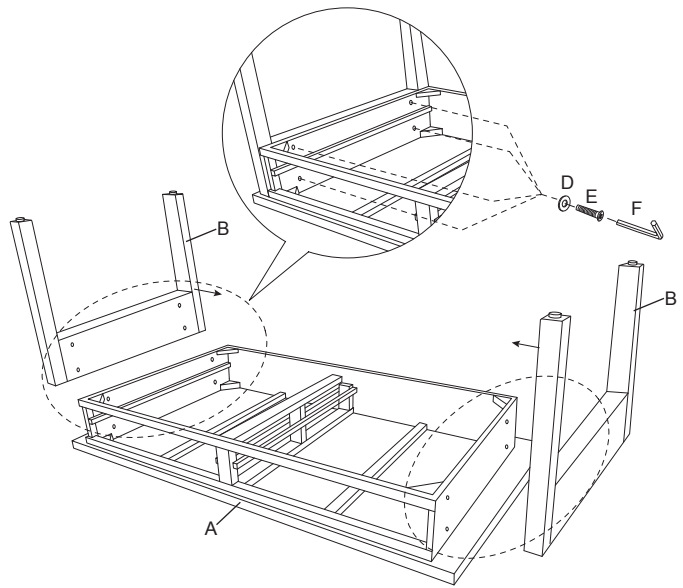
## ITEM#CVFZR1522

PARTS LIST						HARDWARE LIST					
NO.	DESCRIPTION		QTY	NO.	DESCRIPTION		QTY	NO.	DESCRIPTION		QTY
A	part		1	C	shelf		1	D	washer		12
B	leg		2					E	bolt		12
								F	allen washer		1

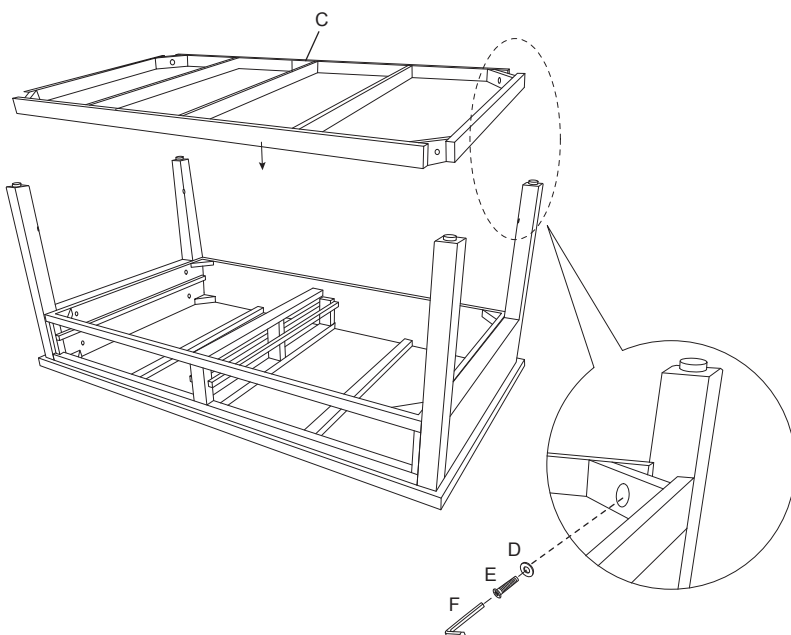
### Step 1



### Step 2



### Step 3



### Step 4

