

Assembly Instructions

CVFNR 965

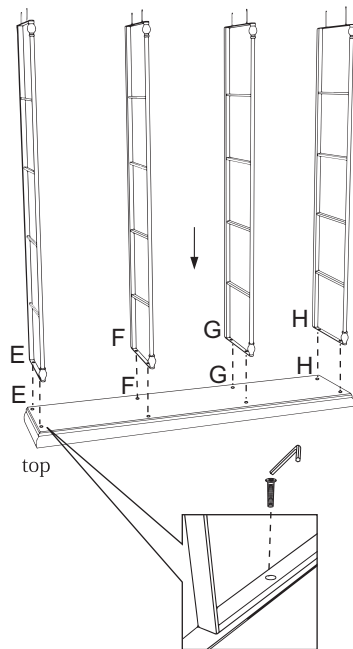
WOOD TOP	SIDES LEGS	WOOD BASE	SHELF	CROSS BAR		BOLT	ALLEN KEY	HEX NUT	CUT WASHER	WRENCH	SCREW	SCREW DRIVER	Batash Washer
1PC	4PCS	1PC	4PCS	4PCS	1PC	8 PCS	1PC	16 PCS	8 PCS	1PC	16PCS	1PC	16 PCS

2) Step by Step Instructions

★PS: Best to use electric screw driver supplied by consumer.

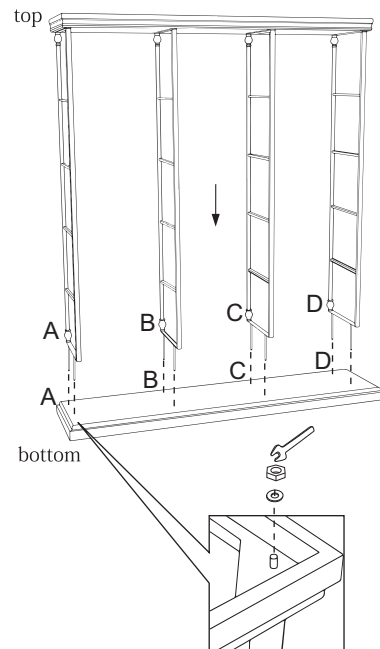
STEP 1

Place the two side frames, wood top and wood base on a flat level surface.

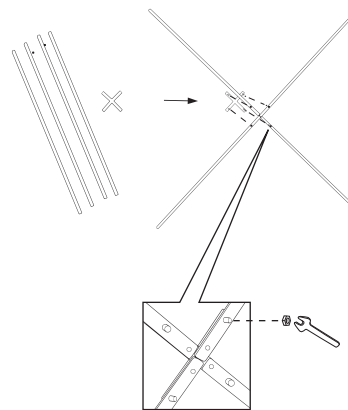


STEP 2

Using bolts assemble the top to the side frame. Using the washers and hex nuts assemble the wood base to the side frame sections.
Note: Be sure to have the side frame facing in the same direction so that you are able to attach the support rail. Do not tighten connections firmly yet.

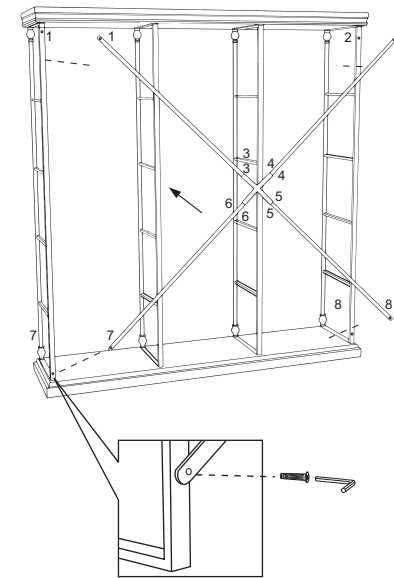


STEP 3



STEP 4

Using the allen key and bolts attach the X shaped support rail. Do not fully tighten yet.



STEP 5

Attach each shelf to the side frame using the wood screws and your screwdriver. Start with the center shelf then attach the top shelf and finally the bottom shelf.

