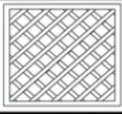

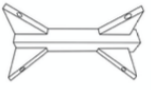


# ASSEMBLY INSTRUCTION

CVFNR5045

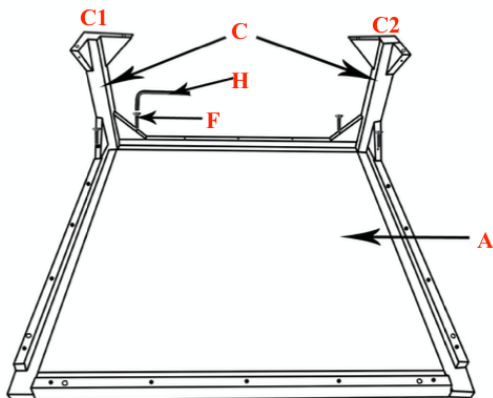
## PARTS

| S.NO.    | DESCRIPTION  | QNT |
|----------|--|-----|
| <b>A</b> |  WOODEN TOP       | 1   |
| <b>B</b> |  BOTTOM           | 1   |
| <b>C</b> |  LEG<br>(1/2/3/4) | 4   |

## HARDWARE

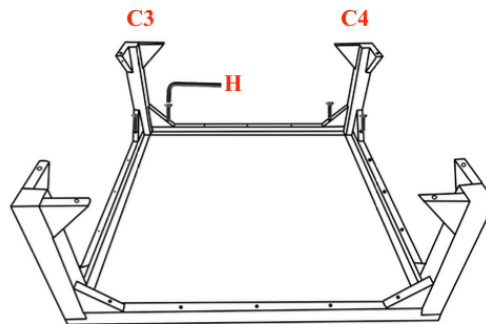
| S.NO.    | DESCRIPTION   | QNT |
|----------|---|-----|
| <b>E</b> |  WASHER                | 8   |
| <b>F</b> |  ALLEN SCREW<br>(40MM) | 8   |
| <b>G</b> |  ALLEN SCREW<br>(50MM) | 8   |
| <b>H</b> |  ALLEN KEY             | 1   |

### STEP 1

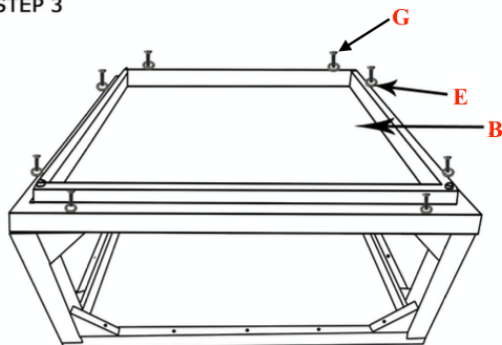


Do not completely tighten the screws till installation complete.

### STEP 2

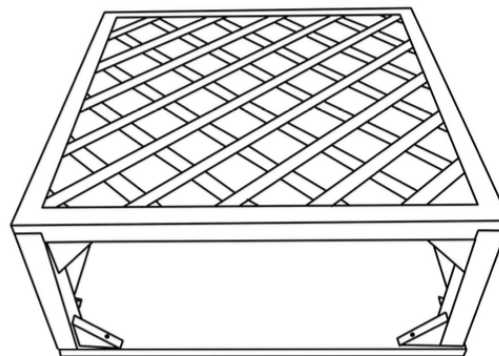


### STEP 3



Now can tighten all the screws.

### COMPLETED



MADE IN INDIA