
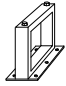


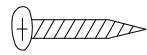
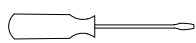
ASSEMBLY INSTRUCTIONS

CVFNR5038

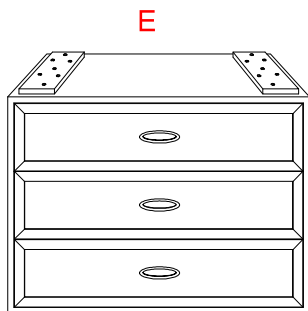
PARTS

S.NO.	DESCRIPTION	QTY.
E	 BASE	1
F	 LEG 1/2	2

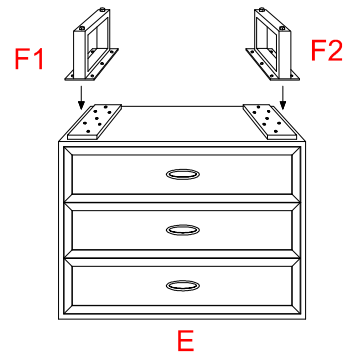
HARDWARE

S.NO.	DESCRIPTION	QTY.
A	 SCREW	12
B	 SCREW DRIVER	1

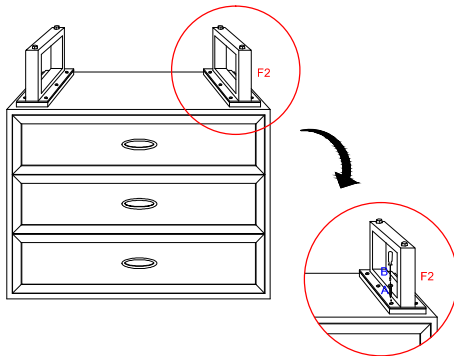
STEP-1



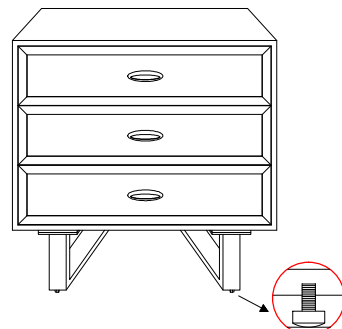
STEP-2



STEP-3



STEP-4



Note: There are leverller on bottom adjust for balance