

# VIPER<sup>®</sup>

## ENGINES

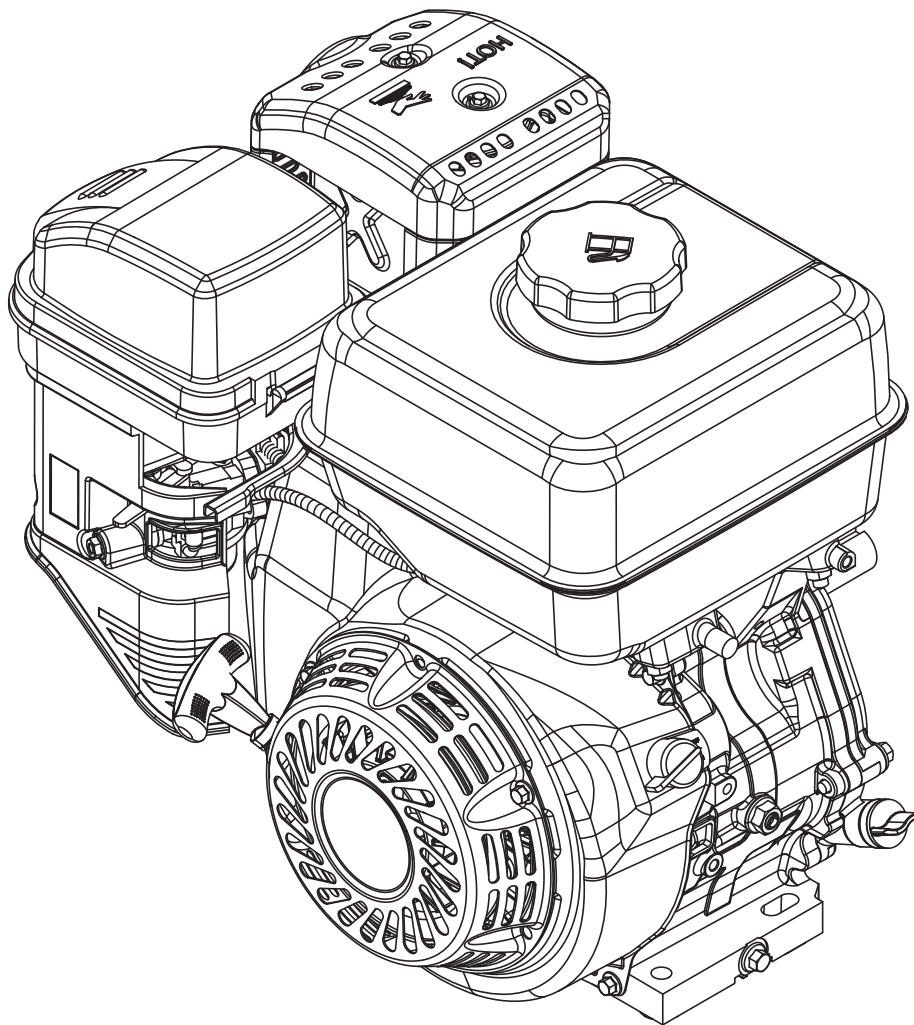
Owner's Manual  
Manuel de l'utilisateur

**301CC**  
Viper 4-Cycle Engine  
Moteur 4 temps Viper

**Model #: 25537**  
**Modèle n° : 25537**

ENGLISH

FRANÇAIS



THIS INSTRUCTION BOOKLET CONTAINS **IMPORTANT** SAFETY INFORMATION. PLEASE READ AND KEEP FOR FUTURE REFERENCE.  
CE LIVRET D'INSTRUCTIONS CONTIENT DES INFORMATIONS **IMPORTANTES** SUR LA SÉCURITÉ. VEUILLEZ LE LIRE ET LE CONSERVER POUR TOUTE CONSULTATION EXTÉRIEURE.

Get parts or technical assistance online at  
[www.GetEarthquake.com](http://www.GetEarthquake.com) or call (800) 345-6007  
Pièces détachées et assistance technique en ligne à  
[www.GetEarthquake.com](http://www.GetEarthquake.com) ou composer le (800) 345-6007

© 2019 Ardisam  
All Rights Reserved  
Tous droits réservés

P/N: 31913  
Réf. : 31913  
REV 2: 07/11/2018  
RÉV 2 : 2018-07-11

## **INTRODUCTION**

Thank you for purchasing your product from Viper<sup>®</sup>. We have worked to ensure that this product meets the highest standards for usability and durability. With proper care, your purchase will provide many years of service.

Please read this entire manual before installation and use. Viper<sup>®</sup> reserves the right to change, alter or improve the product and this document at any time without prior notice. Due to continuous product improvements, product images may not be exact. Some assembly may be required.

Read and keep this manual for future reference. This manual contains important information on safety, assembly, operation and maintenance. The owner must be certain that all the product information is included with the unit. This information includes the manual, the replacement parts and the warranties. This information must be included to make sure state laws and other laws are followed. All persons to whom rent/loan this unit must have access to and understand this information. This manual should remain with the product even if it is resold.

## **CONTENTS**

Introduction/Contents .....	2
Warnings and Safety Precautions.....	3-6
Features .....	7
Operation .....	8-11
Maintenance and Storage.....	12-15
Troubleshooting and Repair.....	15-16
High Altitude Operation .....	17

## **FEDERAL EMISSION INFORMATION**

Viper warrants to the retail purchaser, that this small, off-road engine was designed, built and equipped to conform at the time of initial sale to all applicable regulations of the U.S. Environmental Protection Agency (EPA) and those of the State of California (CARB).

## WARNINGS AND SAFETY PRECAUTIONS

### OWNER'S RESPONSIBILITY

Accurate assembly and safe and effective use of the machine is the owner's responsibility.

- Read and follow all safety instructions.
- Carefully follow all assembly instructions.
- Maintain the machine according to directions and schedule included in this Viper<sup>®</sup> operator's manual.
- Ensure that anyone who uses the machine is familiar with all controls and safety precautions.

### SPECIAL MESSAGES

Your manual contains special messages to bring attention to potential safety concerns, machine damage as well as helpful operating and servicing information. Please read all the information carefully to avoid injury and machine damage.

**NOTE:** *General information is given throughout the manual that may help the operator in the operation or service of the machine.*

- ⚠ This symbol points out important safety instructions which if not followed could endanger your personal safety. Read and follow all instructions in this manual before attempting to operate this equipment.

### BEFORE OPERATING EQUIPMENT:

**Please read this section carefully.** Read entire operating and maintenance instructions for this product. Failure to follow instructions could result in serious injury or death. Operate the machine according to the safety instructions outlined here and inserted throughout the text. Anyone who uses this machine must read the instructions and be familiar with the controls.

### DANGER

#### CALIFORNIA PROPOSITION 65 WARNING

ENGINE EXHAUST FROM THIS PRODUCT CONTAINS CHEMICALS KNOWN TO THE STATE OF CALIFORNIA TO CAUSE CANCER, BIRTH DEFECTS, OR OTHER REPRODUCTIVE HARM.

### NOTICE

NOTICE INDICATES YOUR EQUIPMENT CAN BE DAMAGED IF THE SAFETY INSTRUCTIONS THAT FOLLOW THIS SIGNAL WORD ARE NOT OBEYED.

### IMPORTANT

IMPORTANT INDICATES HELPFUL INFORMATION FOR PROPER ASSEMBLY, OPERATION OR MAINTENANCE OF YOUR EQUIPMENT.

### CAUTION

⚠ CAUTION INDICATES A HAZARD WHICH, IF NOT AVOIDED, COULD RESULT IN PERSONAL INJURY AND/OR PROPERTY DAMAGE.

### WARNING

⚠ WARNING INDICATES A HAZARD WHICH, IF NOT AVOIDED, COULD RESULT IN DEATH OR SERIOUS INJURY AND/OR PROPERTY DAMAGE.

### DANGER

⚠ DANGER INDICATES A HAZARD WHICH, IF NOT AVOIDED, CERTAINLY WILL RESULT IN DEATH OR SERIOUS INJURY AND/OR PROPERTY DAMAGE.

### WARNING

⚠ YOU MUST READ, UNDERSTAND AND COMPLY WITH ALL SAFETY AND OPERATING INSTRUCTIONS IN THIS MANUAL BEFORE ATTEMPTING TO SETUP AND OPERATE YOUR MACHINE.

⚠ FAILURE TO COMPLY WITH ALL SAFETY AND OPERATING INSTRUCTIONS CAN RESULT IN LOSS OF MACHINE CONTROL, SERIOUS PERSONAL INJURY TO YOU AND/OR BYSTANDERS, AND RISK OF EQUIPMENT AND PROPERTY DAMAGE. THE TRIANGLE IN THE TEXT SIGNIFIES IMPORTANT CAUTIONS OR WARNINGS WHICH MUST BE FOLLOWED.



## WARNING

- ▲ **ENGINES GIVE OFF CARBON MONOXIDE, AN ODORLESS, COLORLESS, POISONOUS GAS. CARBON MONOXIDE MAY BE PRESENT EVEN IF YOU DO NOT SMELL OR SEE ANY ENGINE EXHAUST. BREATHING CARBON MONOXIDE CAN CAUSE NAUSEA, FAINTING OR DEATH, IN ADDITION TO DROWSINESS, DIZZINESS AND CONFUSION.**
- ▲ **IF YOU EXPERIENCE ANY OF THESE SYMPTOMS, SEEK FRESH AIR AND MEDICAL ATTENTION IMMEDIATELY.**
- ▲ **HOT GASES ARE A NORMAL BY-PRODUCT OF A FUNCTIONING INTERNAL COMBUSTION ENGINE. FOLLOW ALL SAFETY INSTRUCTIONS TO PREVENT BURNS AND FIRES.**
- ▲ **NEVER ALTER OR MODIFY THE ENGINE FROM THE FACTORY. SERIOUS INJURY OR DEATH MAY OCCUR IF ENGINE IS MODIFIED OR ALTERED.**
- ▲ **WHEN WORKING ON OR REPLACING PARTS FOR THE ENGINE OR PRODUCT, YOU MUST ALWAYS PUT THE ON/OFF SWITCH TO THE OFF POSITION.**

## ENGINE SAFETY PRECAUTIONS

### PREVENTING CARBON MONOXIDE POISONING

- Never try to ventilate engine exhaust indoors. Carbon monoxide can reach dangerous levels very quickly.
  - Never run engine outdoors where exhaust fumes may be pulled into a building.
  - Never run engine outdoors in a poorly ventilated area where the exhaust fumes may be trapped and not easily taken away. (Examples include: in a large hole or areas where hills surround your working area.)
  - Never run engine in an enclosed or partially enclosed area. (Examples include: buildings that are enclosed on one or more sides, under tents, car ports or basements.)
  - Always run the engine with the exhaust and muffler pointed in the direction away from the operator.
  - Never point the exhaust muffler towards anyone. People should always be many feet away from the operation of the engine and its attachments.
  - Do not change the engine governor settings or over-speed the engine.
  - Stay away from rotating parts. Place protective covers over rotating parts.
  - Do not use engine around dry brush, cloth rags, or other flammable materials.
- Always keep materials and debris clear of muffler guard and other hot engine parts.
  - Never operate the engine without the muffler guard in place.
  - Always make sure the exhaust pipe is free of foreign objects.
  - The engine exhaust becomes very hot during operation. Keep engine at least three feet away from buildings and other equipment during operation.
  - Wear appropriate clothing such as a long-sleeved shirt or jacket. Also wear long trousers or slacks. Do not wear shorts. Never wear sandals, sneakers, or open shoes, and never operate the machine with bare feet.
  - Do not wear loose clothing or jewelry. They can get caught in moving parts. Always keep hands, feet, hair and loose clothing away from any moving parts on engine and machine.

### GASOLINE FIRES AND HANDLING FUEL SAFELY

Use extra care in handling gasoline and other fuels. They are flammable and vapors are explosive.

- When storing extra fuel be sure that it is in an appropriate container and away from any fire hazards.
- Prevent fire and explosion caused by static electric discharge. Use only nonmetal, portable fuel containers approved by the Underwriter's Laboratory (U.L.) or the American Society for Testing & Materials (ASTM).
- Always fill fuel tank outside in a well ventilated area. Never fill your fuel tank with fuel indoors. (Examples include: basement, garage, barn, shed, house, porch, etc.) Never fill tank near appliances with pilot lights, heaters, or other ignition sources. If the fuel has to be drained, this should be done outdoors and with the proper equipment. Do not pour fuel from fuel tank. The drained fuel should be stored in a container specifically designed for fuel storage or it should be disposed of carefully.
- Never remove the fuel cap or add fuel with the engine running. Stop engine and allow to cool before removing the fuel cap/and or refilling the engine.
- Do not smoke near or while handling engine fuel.
- Never drain fuel from engine in an enclosed area.
- Always wipe up excess (spilled) fuel from engine before starting. Clean up spilled fuel immediately. If fuel is spilled do not start the engine but move product and fuel container from area. Clean up spilled fuel and allow to evaporate and dry after wiping and before starting.

- Allow fuel fumes/vapors to escape from the area before starting engine.
  - Test the fuel cap for proper installation before starting and using the engine.
  - Always run the engine with the fuel cap properly installed on the engine.
  - Never smoke while refilling fuel tank or while operating the engine.
  - Do not store engine with fuel in fuel tank indoors. Fuel and fuel vapors are highly explosive.
  - During storage, tightly screw down fuel cap.
  - Never pour fuel from engine fuel tank.
  - Never siphon fuel by mouth to drain fuel tank.
  - Always have an adult fill the fuel tank and never allow children to fill the engine.
  - Never allow an adult or anyone under the influence of drugs or alcohol to fill engine.
  - When storing gasoline or equipment with fuel in the tank, store away from furnaces, stoves, water heaters or other appliances that have a pilot light or other ignition source because they can ignite gasoline vapors.
- must be removed from spark plug before any repairs or adjustments are attempted. Never make adjustments or repairs with the engine (motor) running. Disconnect the spark plug wire, and keep the wire away from the plug to prevent accidental starting.
  - Always wear eye protection when you make adjustments or repairs.
  - Keep all nuts and bolts tight and keep equipment in good condition.
  - Never tamper with safety devices. Check their proper operation regularly.
  - When servicing or repairing the engine, do not tip the engine over or up unless specifically instructed to do so in this manual. Service and repair procedures can be done with the engine in an upright position. Some procedures will be easier if the engine is lifted on a raised platform or working surface.
  - To reduce fire hazard, keep engine free of grass, leaves, or other debris build-up. Clean up oil or fuel spillage. Allow engine to cool before storing.
  - Stop and inspect the equipment if you strike an object. Repair, if necessary, before restarting.
  - Clean and replace safety and instruction decals as necessary.
  - To guard against engine over-heating, always have engine debris filter mounted and clean.
  - Inspect engine before storage. When not in use, disconnect spark plug lead and store indoors in a dry place locked or otherwise inaccessible to children.
  - Use only original equipment parts from Viper, including all nuts and bolts.

## **BURNS AND FIRES**

The muffler, muffler guard and other parts of the engine become extremely hot during the operation of the engine. These parts remain extremely hot after the engine has stopped.

## **PREVENTION OF BURNS AND FIRES**

- Never remove the muffler guard from the engine.
- Never touch the muffler guard because it is extremely hot and will cause severe burns.
- Never touch parts of the engine that become hot after operation.
- Always keep materials and debris away from muffler guard and other hot parts of the engine to avoid fires.

## **SERVICE**

- Always stop the engine whenever you leave the equipment, before cleaning, repairing or inspecting the unit. Engine should be turned off and cool, spark plug wire

## **SAFETY DECALS**

This engine has been designed and manufactured to provide you with the safety and reliability you would expect from an industry leader in outdoor power equipment manufacturing.

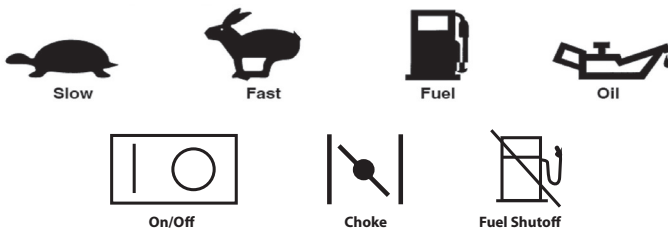
Although reading this manual and the safety instructions it contains will provide you with the necessary basic knowledge to operate this equipment safely and effectively, we have placed several safety labels on the engine to remind you of this important information while you are operating the unit.

Safety symbols are illustrated on page 6, and are shown here to help familiarize you with the location and content of the safety messages you will see as you perform normal operations. Please, review these symbols now, and if you have any questions regarding their meaning or how to comply with these instructions reread the complete safety instruction text in this manual. For additional questions contact Ardisam Customer Service.



**CONTROL AND OPERATING SYMBOLS**

Pictured below are control and operating symbols on the unit or in this manual. Before you operate your unit, learn and understand the purpose for each symbol.



**HAZARD SYMBOLS AND MEANINGS**

- A: Warning!
- B: Avoid Injury From Rotating Tines.
- C: Read Owner's Manual Before Operating Machine.
- D: Remove Objects that Could Be Thrown By This Machine.
- E: Dangerous Moving Parts.
- F: Be Aware of Moving and Rotating Parts.
- G: Wear Ear and Eye Protection At All Times.
- H: Do Not Service or Adjust Moving Parts Unless Engine is Stopped and Spark Plug Wire is Disconnected.
- I: Dress Appropriately And Wear Sturdy Footwear.
- J: Toxic Fumes—Do Not Operate in Unventilated Areas.
- K: Hot Surfaces.
- L: Fire Hazards.
- M. Do Not Use In Thunderstorms—For severe weather, stop operation of this machine and seek shelter.
- N. Team Lift—For your safety, always have at least two people when lifting this machine.
- O. Do Not Till Above Underground Utility Lines And Pipes.
- P. Do Not Operate When Children Or Others Are Around.

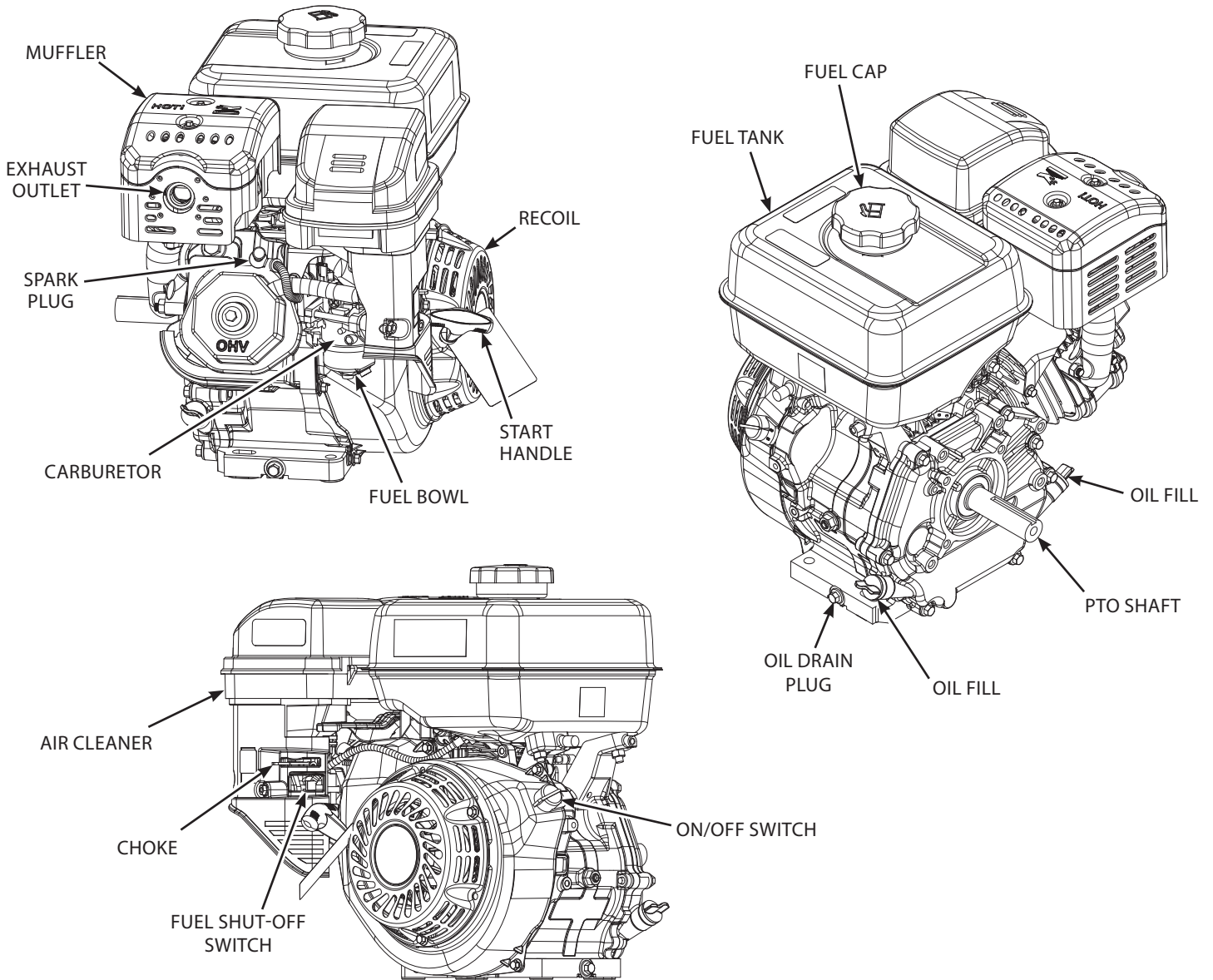
**SPECIFICATIONS**

Displacement/Cycle	301cc; 4-Stroke
Ignition Type	Electronic ignition
Cooling System	Forced air cooling
Idling Carburetor Adjust	1900 +/- 100 RPM
Valve Clearance	Cold engine-Intake: 0.05 +/- 0.01 mm; Exhaust: 0.05 +/- 0.01 mm
Maximum Torque	13.28 ft-lb @ 2500 RPM
Bore and Stroke	80 x 60 mm
Spark Plug Type	Torch F6TC, NGK: BPR6ES
Recommended Fuel Type	Minimum 87 octane gasoline with NO ethanol content. <i>NOTE: If using an ethanol blended fuel, a fuel stabilizer, mixed to manufacturer specifications, is recommended. DO NOT use E85 ethanol blend fuels.</i>
Fuel Tank Capacity	1.72 gallons (6.5 liters)
Drive Shaft Type	Horizontal, 1" straight, (1/4") keyed shaft with ball bearings. Direction: counterclockwise (facing shaft); Central Thread: 3/8"-24UNF
Start Type	Recoil
Speed	3800 RPM
Oil Capacity and Type	~1.16 qt / 37.2 oz (1.1 liters); SAE 15W40 (in freezing weather use 5W30)
Weight	57.2 lb (26 kg)
Overall Dimensions	448 mm x 444 mm x 372 mm

**FEATURES**

**ENGINE COMPONENTS**

This is a 4-cycle air-cooled engine. The 301cc engine utilizes a horizontal shaft and an oil slinger lubricated system.



**⚠ WARNING**

- ⚠ DO NOT ATTEMPT TO START ENGINE IN THE FOLLOWING WAYS:
  - DO NOT USE STARTING FLUID.
  - DO NOT SPRAY FLAMMABLE LIQUIDS OR VAPORS INTO AIR CLEANER, CARBURETOR OR SPARK PLUG CHAMBER.
  - DO NOT REMOVE SPARK PLUG AND PULL ON STARTER ROPE. FLAMMABLE FUEL CAN SPRAY OUT AND IGNITE FROM A SPARK FROM SPARK PLUG.
- ⚠ DO NOT REFUEL WHILE SMOKING, NEAR OPEN FLAME, OR OTHER POTENTIAL HAZARDS.
- ⚠ FUEL IS HIGHLY FLAMMABLE AND MUST BE HANDLED WITH CARE. NEVER FILL THE TANK WHEN THE ENGINE IS HOT OR RUNNING. ALWAYS MOVE OUTDOORS TO FILL TANK.
- ⚠ ALWAYS PERFORM A PRE-OPERATION INSPECTION BEFORE EACH OPERATION AND CORRECT ANY PROBLEM.
- ⚠ IMPROPER MAINTENANCE OF THIS ENGINE, OR FAILURE TO CORRECT A PROBLEM BEFORE OPERATION, CAN CAUSE A MALFUNCTION.
- ⚠ SERIOUS INJURY OR DEATH CAN OCCUR IF THIS WARNING IS NOT COMPLIED WITH.

**OPERATION**

**PRE-OPERATION INSPECTION**

1. Check that engine is filled with the proper amount and type of oil. For the most appropriate type of oil to use, see "Choosing Oil Type" chart on page 9.
2. Check that the engine has the appropriate amount of fuel.
3. Examine underneath and around engine for signs of oil or fuel leaks.
4. Inspect fuel hoses and connections for tightness and fuel.
5. Look for signs of engine damage.
6. Check that all guards and shields are in place, and all screws, nuts and bolts are tightened.
7. Eliminate excessive debris around muffler and recoil starter.
8. Be sure air filter and cylinder fins are clean and free of debris.

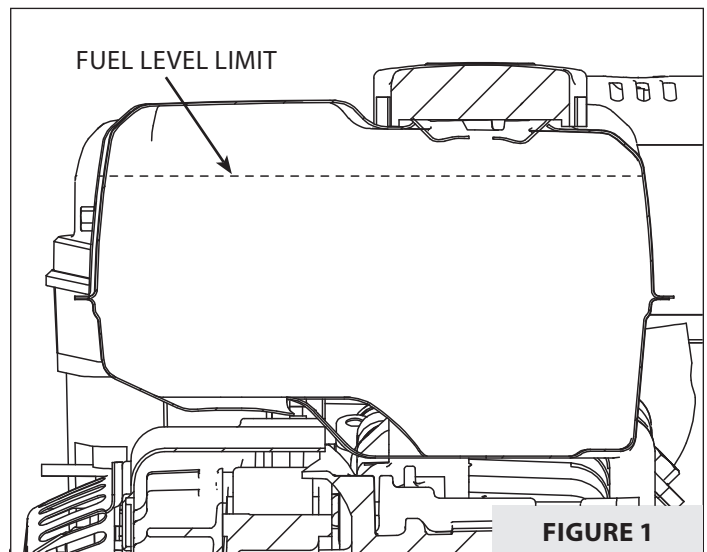
9. Check the equipment powered by this engine. Review the operator's manual provide with the equipment powered by this engine for any safety and warning precautions and/or procedures that should be followed before starting this engine.

**CHECKING AND FILLING THE FUEL TANK**

Be sure the engine is located on a level surface before checking or refilling fuel. Use unleaded regular, unleaded premium automotive fuels only. Low/no ethanol blends recommended. Fuel may contain up to 10% ethanol. **DO NOT mix oil with fuel.**

*NOTE: If using ethanol blends, it is recommended you also use an ethanol fuel treatment to protect against corrosion. Do Not use E85 fuel.*

1. Make sure engine is cool and not running while filling.
2. Remove fuel cap.
3. Fill tank to fuel level limit. **SEE FIGURE 1.**  
*Note: Do not overfill. Leave room for fuel expansion.*
4. Replace cap and remove any spilled fuel before operating.



**FIGURE 1**



**⚠ WARNING**

- ⚠ ENGINE IS SHIPPED FROM FACTORY WITHOUT OIL. YOU MUST ADD ENGINE OIL BEFORE STARTING ENGINE.
- ⚠ ENGINE OIL IS HAZARDOUS TO YOUR HEALTH. DISPOSE OF OIL APPROPRIATELY. USE A SAFE DISPOSAL/RECYCLING CENTER.
  - ALWAYS PERFORM A PRE-OPERATION INSPECTION BEFORE EACH OPERATION AND CORRECT ANY PROBLEM.
  - IMPROPER MAINTENANCE OF THIS ENGINE, OR FAILURE TO CORRECT A PROBLEM BEFORE OPERATION, CAN CAUSE A MALFUNCTION.
  - SERIOUS INJURY OR DEATH CAN OCCUR IF THIS WARNING IS NOT COMPLIED WITH.

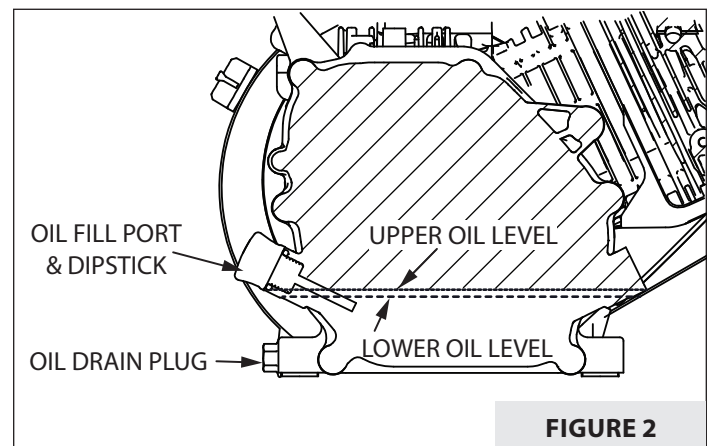
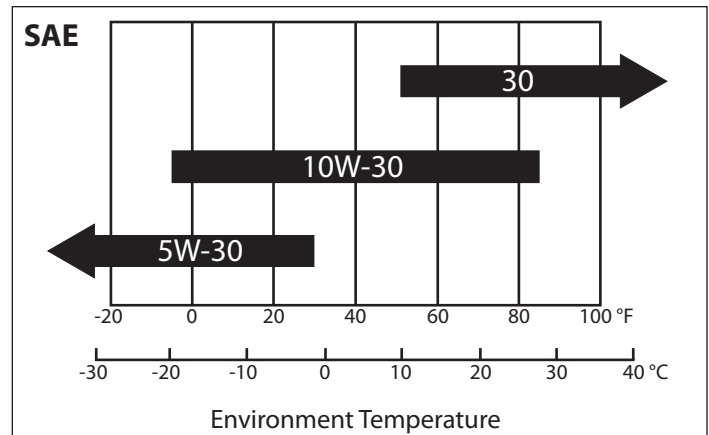
**CHECKING AND ADDING OIL**

Be sure the engine is located on a level surface before checking or refilling oil.

1. Clean around oil fill area and drain plug. **SEE FIGURE 2.**
2. Unscrew dipstick and wipe clean with cloth. **SEE FIGURE 2.**
3. Reinsert and tighten dipstick.
4. Slide out dipstick and check oil.
5. If oil level is below the marking on the oil dipstick, refill to upper level. **SEE FIGURE 2.**
6. Change oil if contaminated.

**NOTE:** *Viper engine oil may be put through the oil dipstick hole or through the oil fill plug opening. If an oil plug is present, loosen screw and fill oil until oil level is even with top thread in plug hole.*

**CHOOSING OIL TYPE**



**FIGURE 2**

**⚠ WARNING**

- ⚠ IMPROPER MAINTENANCE, OR FAILURE TO CORRECT A PROBLEM BEFORE OPERATION CAN CAUSE A MALFUNCTION. ALWAYS FOLLOW THE INSPECTION AND MAINTENANCE RECOMMENDATIONS AND SCHEDULES IN THIS OPERATOR'S MANUAL.
- ⚠ CHECK ENGINE REGULARLY FOR LOOSE NUTS AND BOLTS. KEEP THESE ITEMS TIGHTENED.
- ⚠ TEMPERATURE OF MUFFLER AND NEARBY AREAS MAY EXCEED 150° F (65° C). AVOID THESE AREAS.
- ⚠ **PREVENT ACCIDENTAL STARTING:**
  - ENGINE MUST BE TURNED OFF AND COOL.
  - SPARK PLUG WIRE MUST BE REMOVED FROM SPARK PLUG BEFORE CHECKING AND ADJUSTING ENGINE OR EQUIPMENT.

**⚠ WARNING**

- ⚠ CARBON MONOXIDE GAS IS TOXIC. MOVE THE ENGINE TO A WELL-VENTILATED AREA OUTDOORS, TO PREVENT CARBON MONOXIDE POISONING. INHALATION CAN CAUSE UNCONSCIOUSNESS AND DEATH.
- ⚠ NEVER LEAVE ENGINE RUNNING WHILE UNATTENDED.
- ⚠ MOVE ENGINE TO A WELL-VENTILATED AREA, ALWAYS OUTDOORS, TO PREVENT CARBON MONOXIDE POISONING.
- ⚠ MOVE TO AN AREA AWAY FROM FLAMES OR SPARKS, TO AVOID IGNITION OF VAPORS IF PRESENT.

**⚠ NOTICE**

OPERATING ENGINE ON ANGLES GREATER THAN 25 DEGREES WILL CAUSE THE ENGINE TO LOSE LUBRICATION AND SEIZE.

**STARTING AND STOPPING THE ENGINE**

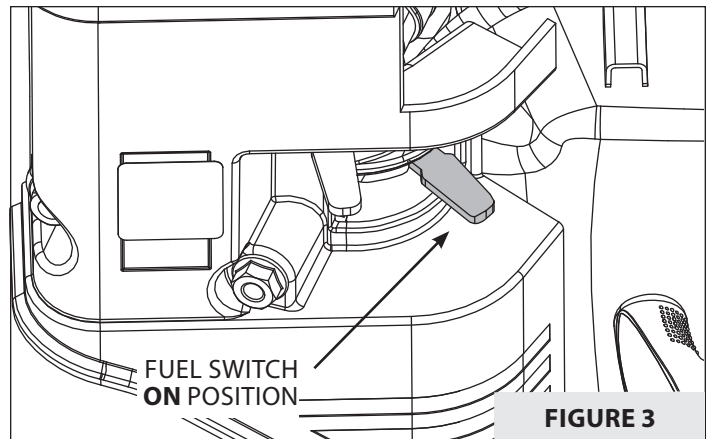
Review "safety and warning precautions" and "pre-operation inspection" sections before starting engine.

**ENGINE START**

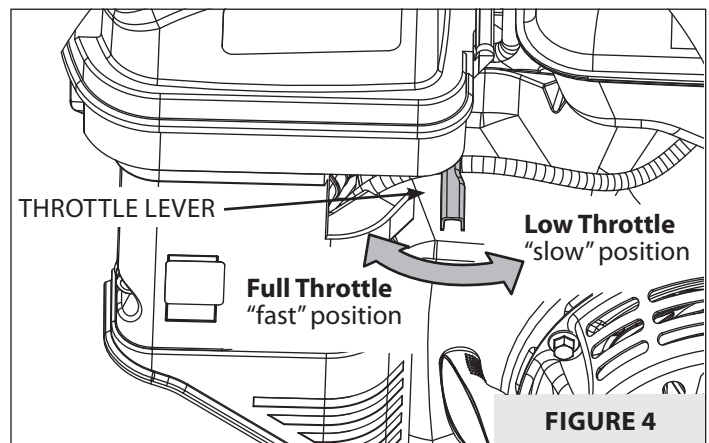
1. Move the fuel valve switch to the **ON** position. **SEE FIGURE 3.**
2. Move the engine to a well-ventilated area, always outdoors, to prevent carbon monoxide poisoning.
3. Move to an area away from flames or sparks, to avoid ignition of vapors if present.
4. Remove all debris from air cleaner holes and cooling fins to ensure proper air flow.
5. Move throttle lever 1/2 way between the **FULL** and **LOW THROTTLE** positions. *(This is not necessary on models with throttle fixed at full throttle position.)* **SEE FIGURE 4.**

**NOTE:** **FULL THROTTLE** position is when the throttle lever is all the way to the left and **LOW THROTTLE** position is when the throttle lever is all the way to the right.

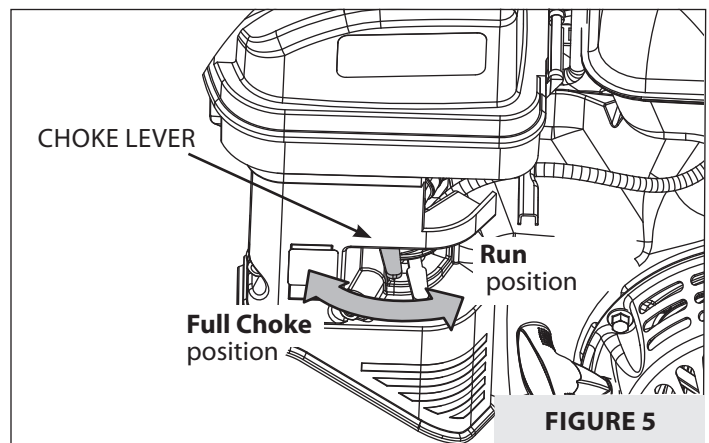
6. Move the choke lever:
  - If the engine is cold or the ambient temperature is low, move choke lever to the **FULL CHOKE** position. **SEE FIGURE 5.**
  - If the engine is warm or the ambient temperature is high, move choke lever to the **RUN** position or 1/2 way between the **FULL CHOKE** and **RUN** positions. **SEE FIGURES 5.**



**FIGURE 3**



**FIGURE 4**



**FIGURE 5**

**NOTE:** *RUN position is when the choke lever is all the way to the right and FULL CHOKE position is when the choke lever is all the way to the left.*

7. Turn the On/Off switch to the **ON** position. **SEE FIGURE 6.**
8. Grasp starter handle and pull out slowly, until resistance is felt. Without letting it retract, pull rope with a rapid stroke. **DO NOT** pull the rope out all the way. Let it return to its original position slowly. Repeat this step until engine starts.
9. After engine begins operating, move choke lever 1/2 way between the **RUN** and **FULL CHOKE** positions. This position is considered the **HALF CHOKE** position. **SEE FIGURE 5.**
10. Run engine for 30 to 45 seconds at **HALF CHOKE** position until engine warms up.
11. Once engine is warmed up, slowly move the choke lever to the **RUN** position. **SEE FIGURE 5.**
12. Move throttle lever to desired speed. *(This is not necessary on models with throttle fixed at full throttle position.)* **SEE FIGURE 4.**

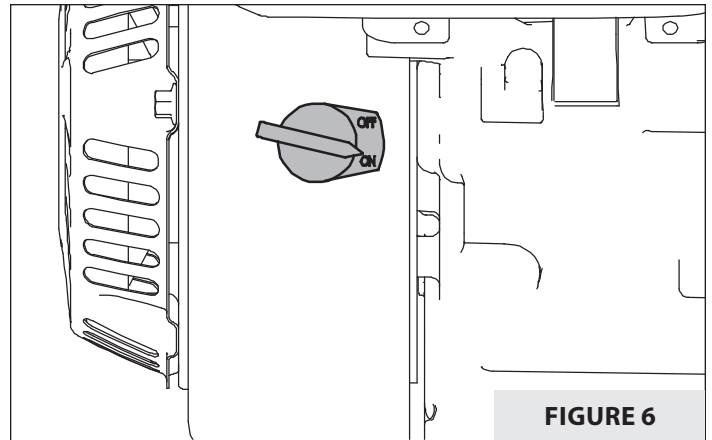
**NOTE:** *Middle to Low Throttle is meant for use as the engine idles and Full Throttle for when the engine is in use.*

**TO STOP THE ENGINE:**

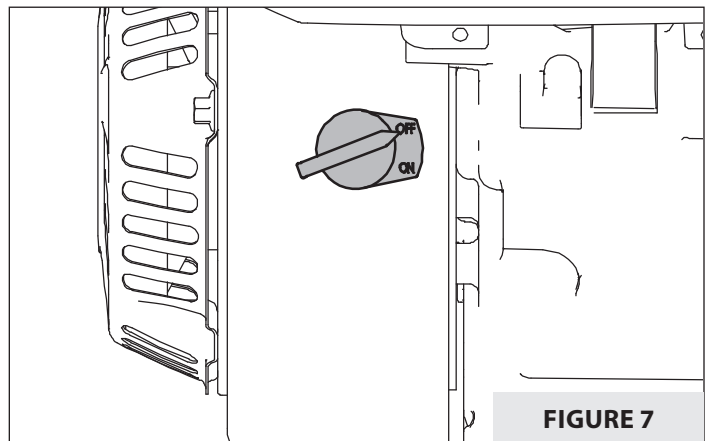
1. Move the throttle lever to the **LOW THROTTLE** position and allow the engine to run at low speeds for 1-2 minutes. *(This is not necessary on models with throttle fixed at full throttle position.)* **SEE FIGURE 4.**
2. Turn the On/Off switch to the **OFF** position. **SEE FIGURE 7.**
3. Move the fuel lever to the **OFF** position. **SEE FIGURE 8.**
4. Pull the starter handle slowly and return the handle to its original position when resistance is felt. This operation will prevent outside moisture from entering the combustion chamber.

**STOPPING THE ENGINE WITH THE FUEL LEVER:**

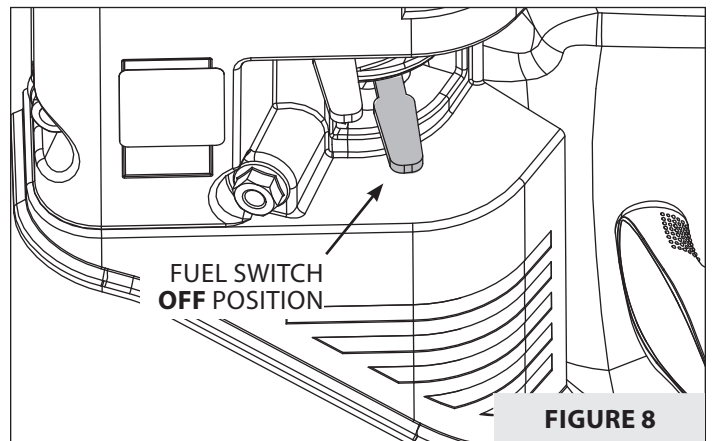
Move the fuel lever to the **OFF** position and wait until the engine stops. Avoid letting fuel remain in the carburetor over long periods, or the passages of the carburetor may become clogged with impurities and malfunction may result.



**FIGURE 6**



**FIGURE 7**



**FIGURE 8**

## MAINTENANCE AND STORAGE

Please read the maintenance schedule, found in the accompanying combined exhaust and evaporative emissions control warranty statement, and observe these recommended care operating intervals to extend the life of your engine.

Good maintenance is essential for safe, economical, and trouble-free operation. It will also help reduce air pollution. To help you properly care for your engine, the following pages include routine inspection procedures and simple maintenance procedures using basic hand tools. Other service tasks that are more difficult, or require special tools, are best handled by professionals and are normally performed by a technician or other qualified mechanic.

**Maintenance, replacement or repair of the emissions control devices and systems may be performed by any non-road engine repair establishment or individuals. However, items must be serviced by an authorized dealer to obtain "no charge" emissions control warranty service.**

## ENGINE MAINTENANCE

For daily maintenance checks, review "pre-operation inspection" section and EPA Emission Warranty Statement (included with this product).

### LUBRICATION

Choose engine oil that meets or surpasses the latest API service classification. For temperatures higher than 32° F, use SAE 30 or SAE 15W-40 motor oil. Use SAE 5W-30 or SAE 10W if temperatures are below 32° F.

### OIL MAINTENANCE

After the first five hours of operating a new Viper Engine the oil should be replaced, and every 50 hours of operating time thereafter. The oil should be changed every 25 hours if used under severe conditions, such as in high temperatures or under heavy loads, otherwise changed weekly. Check oil periodically; do not overfill.

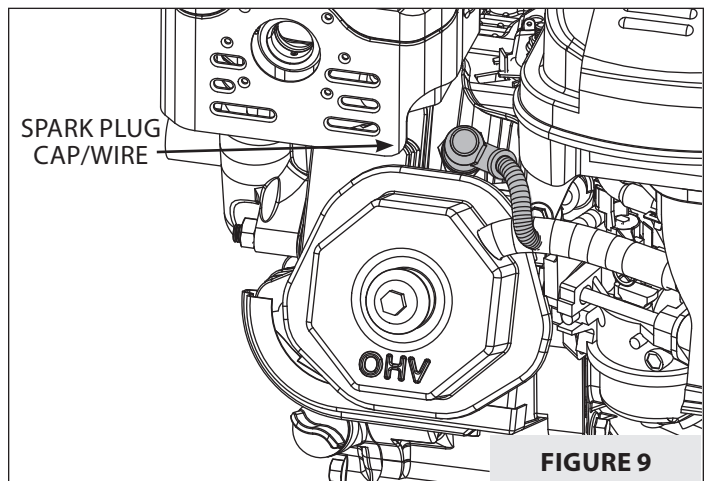
### CHANGING OIL

Be sure the engine is not operating and is located on a level surface before checking or refilling oil. Engine should be warm for easy removal of oil.

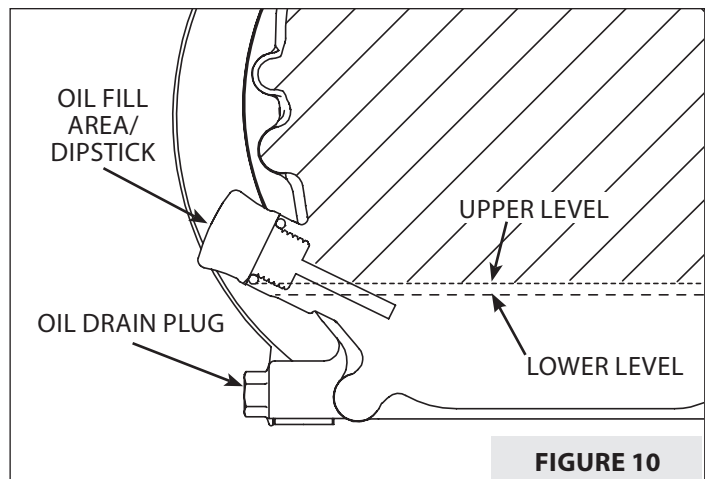
1. Detach spark plug cap/wire and move away from spark plug. **SEE FIGURE 9.**
2. Remove oil drain plug and empty oil into suitable oil container. Dispose of oil properly. **SEE FIGURE 10.**

### CAUTION

**⚠ RUNNING ENGINE WITH A LOW OIL LEVEL WILL CAUSE DAMAGE TO YOUR ENGINE. THIS TYPE OF DAMAGE IS NOT COVERED UNDER WARRANTY.**



**FIGURE 9**



**FIGURE 10**

3. Reinstall drain plug. Remove dipstick (if applicable) or oil fill cap. **SEE FIGURE 10.**
4. Fill with appropriate oil to **FULL** or top line of dipstick; otherwise to top thread of oil fill hole. **SEE FIGURE 10.**  
**NOTE: Oil capacity is 1.16 qt / 37.2 oz. See above, under lubrication, for correct engine oil grade.**
5. Reinsert dipstick or oil fill cap and tighten.

## SPARK PLUG

The recommended spark plugs are listed in the Specifications Section on Page 6.

### CHECKING AND CHANGING SPARK PLUG

1. Check spark plug every 50 operating hours.
2. Disconnect the spark plug cap, and clean any debris from around the spark plug area.
3. Remove spark plug and replace if any of the following occur; pitted electrodes, burned electrodes, cracked porcelain, or deposits around electrodes.
4. After analysis, seat spark plug and tighten with spark plug wrench to compress the sealing washer. **SEE FIGURE 9 on previous page.**
  - Reinstall original spark plug, tighten additional 1/2 turn.
  - Installing new spark plug, adjust spark plug gap to .030" (0.6-0.7 mm) and tighten additional 1/8 – 1/4 turn.

**NOTE:** Loose spark plug may overheat and damage engine. Over tightened spark plug may damage threads in the cylinder head.

### SPARK PLUG MAINTENANCE

Spark plug should be removed, cleaned and gap adjusted after approximately fifty hours of operating time.

**NOTE:** A sand blaster should not be used to clean spark plugs. Microscopic particles remaining in the plug may score the engine cylinder during operation. Use solvent and a wire brush to clean the plug and compressed air to blow out completely.

### AIR FILTER

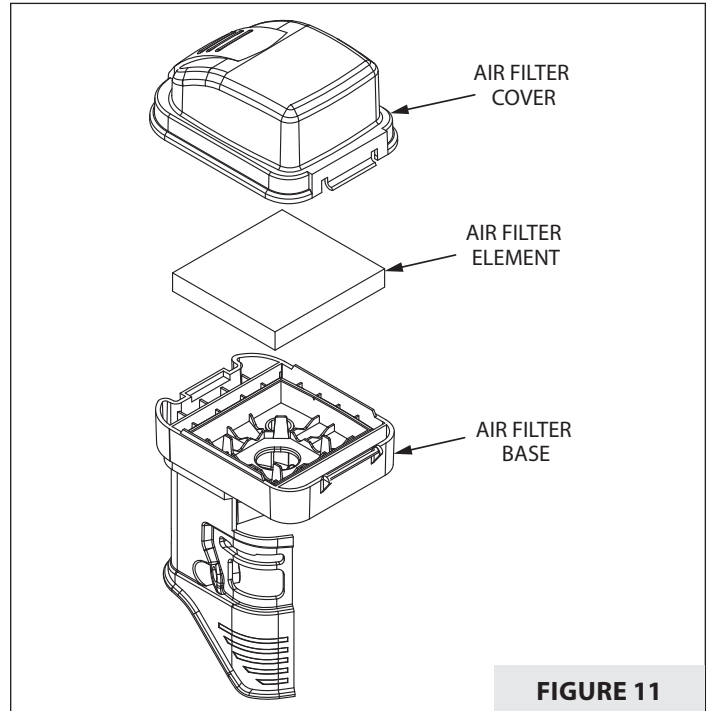
Refer to maintenance schedule for suggestions on when to service your air filter. **Clean filter daily in extremely dusty conditions.**

#### REMOVING/INSTALLING AIR FILTER. SEE FIGURE 11.

1. Remove air cleaner cover.
2. Remove the air filter.
3. Replace with new air filter.
4. Replace air filter cover.

## CAUTION

**⚠ NEVER RUN ENGINE WITHOUT AIR FILTER PROPERLY INSTALLED. ADDED WEAR AND ENGINE FAILURE MAY OCCUR IF AIR FILTER IS NOT INSTALLED ON ENGINE.**



**FIGURE 11**

#### WASH AIR FILTER AS FOLLOWS:

1. Wash in warm water with mild soap until dirt and debris are removed. Press filter when washing, do not twist.
2. Rinse in warm water until soap and dirt are removed.
3. Dry filter by wrapping in a clean cloth and pressing filter until it is dry.

#### CARBURETOR

- Never tamper with factory setting of the carburetor.
- If adjustment is needed, contact customer service.

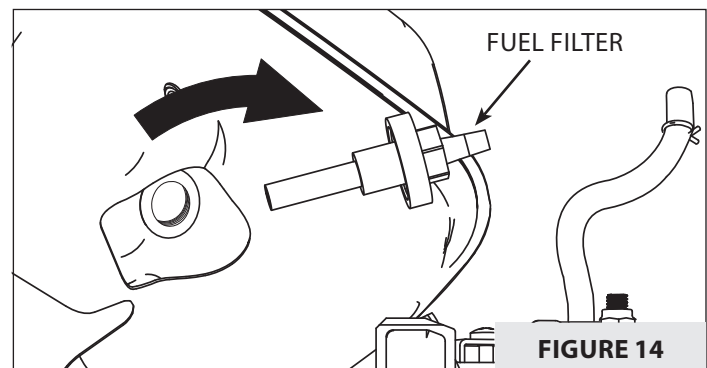
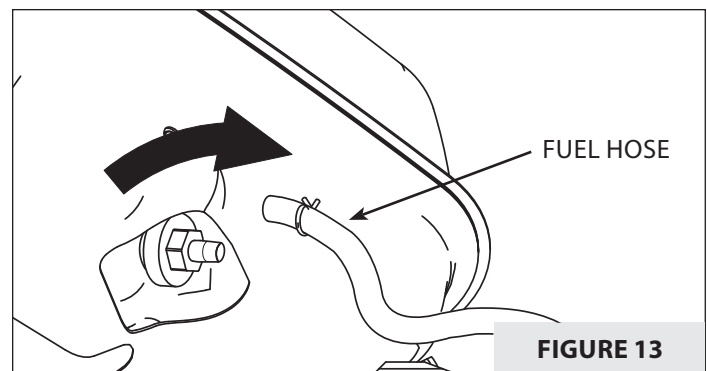
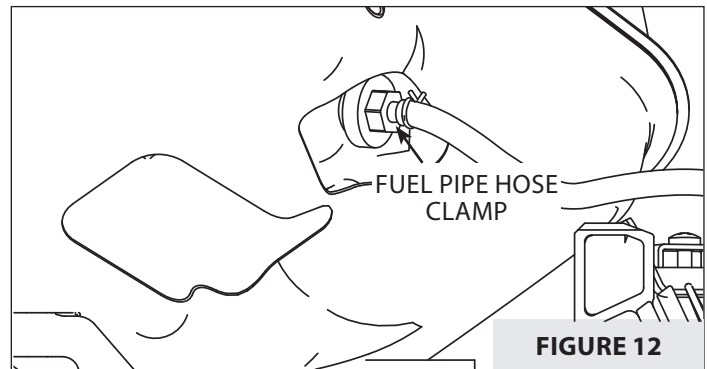
## FUEL FILTER

### **CLEAN OR REPLACE FUEL FILTER AS FOLLOWS:**

1. Disconnect spark plug wire from spark plug. Remove spark plug and protect spark plug hole from debris.
2. Drain fuel from tank before attempting to clean/replace filter.
3. Remove two nuts holding muffler to the engine and remove muffler.
4. Remove single tank bolt from fuel tank assembly.
5. Remove two nuts from underside of tank.
6. Gently lift tank off of the engine and disconnect the fuel line hose clamp. **SEE FIGURES 12 AND 13.**
7. Remove fuel tank filter by using proper size socket to turn filter counter clockwise. **SEE FIGURE 14.**
8. Filter may be washed with kerosene or similar solvent.
9. If filter is extremely dirty or torn replace with new filter.
10. Reassemble and fill with clean fresh gasoline. Check for leaks prior to starting engine.

## TRANSPORTING ENGINE

1. Shut fuel supply off by moving the fuel lever to the **OFF** position. Failure to turn fuel off may cause raw fuel to enter the crank case contaminating the engine oil and providing insufficient lubrication. **SEVERE ENGINE DAMAGE MAY RESULT. SEE FIGURE 3.**
2. Never transport engine inside an enclosed space or vehicle. Fuel or fuel vapors may ignite causing serious injury or death.
3. If fuel is present in the fuel tank remove fuel or transport with an open vehicle in an upright position.
4. If an enclosed vehicle must be used, remove fuel into an approved red fuel container. **DO NOT** siphon by mouth.
5. Run engine or drain to use up the fuel in the carburetor and fuel tank. Always run engine in a well ventilated area.
6. Wipe away any spilled fuel from engine. Allow to dry.



## STEPS FOR LONG-TERM STORAGE

1. Mix an appropriate amount of fuel stabilizer, such as STA-BIL<sup>®</sup>, to fresh gasoline, in the ratio recommended on the stabilizer packaging. Run the engine for five minutes to distribute the stabilizer mixture throughout the fuel system. This will prevent gum, varnish and corrosion build up in your fuel system during long-term storage for up to 12 months.  
*NOTE: It is recommended that fuel tank is drained and new fuel stabilizer is added every four months. Starting engine once a month to help preserve engine is also recommended.*
2. Run engine for 10-15 minutes to ensure that the stabilizer reaches the carburetor.
  - a. ) Move fuel lever to the **OFF** position and start engine. Run until engine runs itself out of any residual fuel left in fuel cup and fuel lines. (It is normal for the engine to run two to three minutes before the fuel is completely out of system.)
3. Store engine in its upright position.
4. Remove all debris from engine.

## TROUBLESHOOTING AND REPAIR

At Ardisam we build quality and durability into the design of our products; but no amount of careful design by us, and careful maintenance by you, can guarantee a repair-free life for your Viper<sup>®</sup> Engine. Most repairs will be minor, and easily fixed by following the suggestions in the troubleshooting guide in this section.

This section will help you pinpoint the causes of common problems and identify remedies. For more complicated repairs please contact one of our authorized service centers (find these on our website at [www.getearthquake.com/Locations/ServiceCenter](http://www.getearthquake.com/Locations/ServiceCenter)) or contact Ardisam Customer Service. Ardisam will make the necessary repairs or resolution if a service center is not available. We will always be glad to answer any questions you have, or help you find suitable assistance. To order parts or inquire about warranty, please visit "contact us" on our website [www.getearthquake.com](http://www.getearthquake.com).



### WARNING

- ⚠ **FUEL IS HIGHLY FLAMMABLE AND MUST BE HANDLED WITH CARE. NEVER FILL OR DRAIN THE FUEL TANK WHEN THE ENGINE IS HOT OR RUNNING. ALWAYS MOVE OUTDOORS TO FILL OR DRAIN FUEL FROM THE TANK.**
- ⚠ **DO NOT REMOVE FUEL WHILE SMOKING, NEAR OPEN FLAME, OR OTHER POTENTIAL HAZARDS.**
- ⚠ **FUEL IS TOXIC. DO NOT SIPHON FUEL BY MOUTH.**
- ⚠ **DO NOT STORE ENGINE INSIDE A BUILDING WITH FUEL IN THE TANK. POTENTIAL SPARKS MAY BE PRESENT CAUSING IGNITION OF FUEL AND FUEL VAPORS.**
- ⚠ **FAILURE TO FOLLOW SAFETY INSTRUCTIONS CAN CAUSE SERIOUS INJURY OR DEATH.**
- ⚠ **DO NOT REMOVE FUEL WHILE SMOKING, NEAR OPEN FLAME, OR OTHER POTENTIAL HAZARDS.**
- ⚠ **CHECK ENGINE REGULARLY FOR LOOSE NUTS AND BOLTS. KEEP THESE ITEMS TIGHTENED.**

## ORDERING REPLACEMENT PARTS

Parts can be obtained directly from the factory. To order parts visit [www.getearthquake.com](http://www.getearthquake.com) or call 1-800-345-6007. Please include the following information with your order: part numbers; part description; quantity; and model number and serial number.

## SPARE PARTS

Only use approved Viper<sup>®</sup> spares.

**TROUBLESHOOTING GUIDE**

<b>PROBLEM</b>	<b>POSSIBLE CAUSE</b>	<b>REMEDY/ACTION</b>
Engine will not start	1. Power switch off	1. Flip switch to <b>ON</b> position
	2. Fuel switch off	2. Check fuel switch is on
	3. Spark plug wire disconnected	3. Connect spark plug wire to spark plug
	4. Out of fuel	4. Refuel
	5. Spark plug wet, faulty or improperly gapped	5. Clean, replace or gap spark plug
Electric Start	5. Battery discharged	5. Recharge battery
Engine runs rough, floods during operation	1. Dirty air filter	1. Clean or replace air filter
	2. Choke partially engaged	2. Turn off choke
	3. Carburetor out of adjustment	3. Call Ardisam Customer Service
Engine is hard to start	1. Stale fuel	1. Drain old fuel and replace with fresh. Use fuel stabilizer at end of season
	2. Spark plug wire loose	2. Make sure spark wire is securely attached to spark plug
	3. Dirty carburetor	3. Clean carburetor, use fuel stabilizer, new fuel can
Engine misses or lacks power	1. Clogged fuel tank or fuel filter	1. Remove and clean
	2. Clogged air filter	2. Clean or replace
	3. Improper carburetor adjustment	3. Call Ardisam Customer Service
	4. Spark plug dirty, improper gap, or wrong type	4. Replace spark plug and adjust gap to .030"
Engine runs, then quits	1. Fuel cap not venting	1. Replace fuel cap

Contact Ardisam customer service if above remedies fail.



## HIGH ALTITUDE OPERATION

Operating an engine with standard air-fuel mixture at altitudes greater than 3,000 feet will result in a fuel-rich operating condition. This can lead to increased fuel consumption, increased emissions, and the formation of carbon deposits on spark plugs that can result in difficulty starting engine. To ensure compliance with federal emission standards and avoid performance degradation, engines must be fitted with the appropriate altitude kit when operated at altitudes 3,000 feet or greater.

### NOTICE:

1. Engines should not be operated at less than 3,000 feet when fitted with an altitude kit. Doing so may result in serious damage to engine.
2. Engines that have been modified with an altitude kit should only be operated at altitudes for which the kit is designed. Failure to use the appropriate altitude kit at altitudes in excess of 3,000 feet may result in decreased engine performance, increased fuel consumption and increased engine emissions.
3. Engine operation is not recommended in altitudes greater than 8,000 feet. Doing so will negatively affect engine performance.
4. For more information on obtaining an altitude kit visit [www.GetEarthquake.com](http://www.GetEarthquake.com) and reference your Parts Breakdown for accurate part numbers. Installation of altitude kits should be performed by an authorized Viper service center only.



## INTRODUCTION

Merci d'avoir acheté ce produit Viper<sup>®</sup>. Nous nous sommes attachés à ce que ce produit réponde aux plus hautes normes d'utilisation et de durabilité. Moyennant des soins corrects, votre achat offrira de nombreuses années de service fiable.

Lire ce manuel en entier avant de l'installer et de l'utiliser. Viper<sup>®</sup> se réserve le droit de changer, modifier ou améliorer ce produit et cette documentation à tout moment sans préavis. En raison des constantes améliorations de nos produits, les représentations du produit peuvent être inexactes. Un certain assemblage peut être requis.

Lire ce manuel et le conserver pour toute consultation ultérieure. Ce manuel contient des renseignements importants sur la sécurité, l'assemblage, l'utilisation et l'entretien. Le propriétaire doit veiller à ce que toute la documentation sur le produit soit fournie avec l'appareil. Cette documentation comprend le manuel, la liste des pièces de rechange et les garanties. Cette documentation doit être fournie en vertu de la réglementation en vigueur. Toutes les personnes à qui cette machine est louée/prêtée doivent avoir accès à ces informations et les comprendre. Le présent manuel doit rester avec le produit, notamment s'il est revendu.

## SOMMAIRE

Introduction / Sommaire .....	19
Avertissements et mesures de précaution.....	20-23
Caractéristiques .....	24
Utilisation .....	25-28
Entretien et entreposage.....	29-32
Dépannage et réparation .....	32-33
Fonctionnement en haute altitude .....	34

## INFORMATIONS FÉDÉRALES RELATIVES AUX ÉMISSIONS

Viper garantit à l'acheteur de détail d'origine que ce petit moteur non routier a été conçu, fabriqué et équipé de manière à se conformer, au moment de la vente initiale, aux règlements en vigueur de l'U.S. Environmental Protection Agency (EPA) et à ceux de l'État de Californie (CARB).

## AVERTISSEMENTS ET MESURES DE PRÉCAUTION RESPONSABILITÉ DU PROPRIÉTAIRE

L'assemblage correct et l'utilisation sûre et efficace de la machine relèvent de la responsabilité de l'utilisateur.

- Lire et respecter toutes les instructions de sécurité.
- Suivre avec attention toutes les instructions d'assemblage.
- Entretenir la machine conformément aux instructions et au calendrier figurant dans le manuel de l'utilisateur Viper<sup>®</sup>.
- S'assurer que quiconque utilise la machine est familiarisé avec toutes les commandes et mesures de précaution.

### MESSAGES SPÉCIAUX

Ce manuel contient des messages spéciaux attirant l'attention sur des problèmes de sécurité et dommages potentiels à la machine, ainsi que des informations utiles sur l'utilisation et l'entretien. Veiller à lire toutes ces informations avec attention pour éviter les blessures et les dommages à la machine.

**REMARQUE :** Des informations générales sont fournies à travers ce manuel pouvant aider l'opérateur dans l'utilisation ou l'entretien de la machine.

- ⚠ Ce symbole signale des instructions de sécurité importantes qui doivent être respectées pour ne pas mettre en danger la sécurité des personnes. Lire et respecter toutes les instructions du manuel avant de tenter de faire fonctionner ce matériel.

### AVANT D'UTILISER LA MACHINE :

**Veiller à lire cette section avec attention.** Lire l'ensemble des instructions d'utilisation et d'entretien de ce produit. Tout manquement à respecter ces instructions peut entraîner des blessures graves ou la mort. Utiliser la machine conformément aux instructions de sécurité fournies ici et tout au long du manuel. Quiconque utilise cette machine doit lire les instructions et être familiarisé avec les commandes.

## DANGER

### AVERTISSEMENT PROPOSITION 65 DE CALIFORNIE

L'ÉCHAPPEMENT DU MOTEUR DE CE PRODUIT CONTIENT DES SUBSTANCES CHIMIQUES DÉCLARÉES RESPONSABLES DE CANCER, MALFORMATIONS CONGÉNITALES OU AUTRES ANOMALIES DE LA REPRODUCTION PAR L'ÉTAT DE CALIFORNIE.

## AVIS

AVIS INDIQUE QUE LE MATÉRIEL PEUT ÊTRE ENDOMMAGÉ SI LES INSTRUCTIONS DE SÉCURITÉ QUI SUIVENT CE MOT-INDICATEUR NE SONT PAS RESPECTÉES.

## IMPORTANT

IMPORTANT SIGNALE DES INFORMATIONS UTILES CONCERNANT L'ASSEMBLAGE, L'UTILISATION OU L'ENTRETIEN DU MATÉRIEL.

## ATTENTION

⚠ ATTENTION INDIQUE UN DANGER QUI, S'IL N'EST PAS ÉVITÉ, PEUT PROVOQUER DES BLESSURES CORPORELLES ET DES DÉGÂTS MATÉRIELS.

## AVERTISSEMENT

⚠ AVERTISSEMENT INDIQUE UN DANGER QUI, S'IL N'EST PAS ÉVITÉ, PEUT PROVOQUER LA MORT OU DES BLESSURES CORPORELLES ET DÉGÂTS MATÉRIELS GRAVES.

## DANGER

⚠ DANGER INDIQUE UN DANGER QUI, S'IL N'EST PAS ÉVITÉ, PROVOQUERA IMMANQUABLEMENT LA MORT OU DES BLESSURES CORPORELLES ET DES DÉGÂTS MATÉRIELS GRAVES.

## AVERTISSEMENT

⚠ VEILLER À LIRE, À COMPRENDRE ET À RESPECTER TOUTES LES INSTRUCTIONS DE SÉCURITÉ ET D'UTILISATION FIGURANT DANS CE MANUEL AVANT DE TENTER D'INSTALLER ET DE FAIRE FONCTIONNER LA MACHINE.

⚠ TOUT MANQUEMENT À OBSERVER LES INSTRUCTIONS DE SÉCURITÉ ET D'UTILISATION PEUT PROVOQUER DES BLESSURES CORPORELLES GRAVES POUR L'UTILISATEUR ET D'AUTRES PERSONNES PRÉSENTES ET DES DÉGÂTS MATÉRIELS. LE TRIANGLE DANS LE TEXTE INDIQUE DES MISES EN GARDES ET AVERTISSEMENTS IMPORTANTS QUI DOIVENT ÊTRE SUIVIS.



## AVERTISSEMENT

⚠ **LES MOTEURS DÉGAGENT DU MONOXYDE DE CARBONE, UN GAZ TOXIQUE INODORE ET INCOLORE. DU MONOXYDE DE CARBONE PEUT ÊTRE PRÉSENT MÊME SI ON NE PEUT NI SENTIR NI VOIR DE GAZ D'ÉCHAPPEMENT DU MOTEUR. L'INHALATION DE MONOXYDE DE CARBONE PEUT PROVOQUER LA NAUSÉE, LA PERTE DE CONSCIENCE, VOIRE LA MORT, EN PLUS D'UN ÉTAT DE SOMNOLENCE, D'ÉTOURDISSEMENT ET DE CONFUSION.**

⚠ **EN PRÉSENCE DE L'UN DE CES SYMPTÔMES, SORTIR À L'AIR FRAIS ET OBTENIR IMMÉDIATEMENT DES SOINS MÉDICAUX.**

⚠ **LES GAZ CHAUDS SONT UN SOUS-PRODUIT NORMAL DE LA MARCHÉ D'UN MOTEUR À COMBUSTION INTERNE. SUIVRE TOUTES LES INSTRUCTIONS DE SÉCURITÉ POUR ÉVITER LES BRÛLURES ET LES INCENDIES.**

⚠ **NE JAMAIS ALTÉRER NI MODIFIER LE MOTEUR TEL QU'IL EST LIVRÉ DE L'USINE. LA MODIFICATION OU L'ALTÉRATION DU MOTEUR PEUT ENTRAÎNER DES BLESSURES GRAVES OU LA MORT.**

⚠ **AVANT DE TRAVAILLER SUR LE MOTEUR OU LA MACHINE OU DE CHANGER DES PIÈCES, VEILLER À TOUJOURS METTRE L'INTERRUPTEUR MARCHÉ/ARRÊT EN POSITION ARRÊT.**

## MESURES DE PRÉCAUTIONS CONCERNANT LE MOTEUR

### POUR ÉVITER L'INTOXICATION AU MONOXYDE DE CARBONE

- Ne jamais essayer de ventiler l'échappement du moteur à l'intérieur. Le monoxyde de carbone peut atteindre des niveaux dangereux très rapidement.
- Ne jamais faire fonctionner le moteur à l'extérieur à un endroit où les gaz d'échappement peuvent être aspirés dans un bâtiment.
- Ne jamais faire fonctionner le moteur à l'extérieur dans un endroit mal aéré où les gaz d'échappement peuvent être piégés et difficiles à dissiper (exemples : fond de fouille ou aires de travail entourées de collines).
- Ne jamais faire fonctionner le moteur dans un endroit fermé ou partiellement fermé (exemples : bâtiments fermés sur un ou plusieurs côtés, sous une tente, abri à voiture ou sous-sol).
- Toujours faire fonctionner le moteur avec l'échappement et le silencieux pointés dans la direction opposée à l'utilisateur.
- Ne jamais diriger le silencieux d'échappement vers quiconque. Les personnes présentes doivent toujours se tenir à plusieurs mètres de distance du moteur en marche et de ses accessoires.
- Ne pas modifier les réglages du régulateur de moteur ni faire tourner le moteur en sursrégime.
- Rester à l'écart des pièces tournantes. Placer des capots protecteurs sur les pièces tournantes.

- Ne pas utiliser le moteur au voisinage d'arbustes secs, de chiffons ou autres matières inflammables.
- Toujours tenir tous matériaux et débris à l'écart du protège-silencieux et autres pièces chaudes du moteur.
- Ne jamais faire fonctionner le moteur sans le protège-silencieux en place.
- Toujours s'assurer que le tuyau d'échappement est exempt de corps étrangers.
- L'échappement du moteur devient très chaud durant la marche. Garder le moteur à un mètre au moins des bâtiments et autre équipement durant la marche.
- Porter une tenue adaptée, notamment un blouson ou une chemise à manches longues. Porter également un pantalon long. Ne pas porter de pantalon court. Ne jamais porter de sandales, chaussures de sport ni chaussures ouvertes et ne jamais utiliser la machine pieds nus.
- Ne pas porter de vêtements amples ni de bijoux. Ils peuvent être happés par les pièces en mouvement. Toujours tenir les mains, les pieds, les cheveux et les vêtements amples à l'écart de toute pièce en mouvement du moteur et de la machine.

## FEUX D'ESSENCE ET MANIPULATION SÉCURITAIRE DU CARBURANT

Faire preuve d'extrême prudence lors de la manipulation de l'essence et de tout autre carburant. Ils sont inflammables et les vapeurs sont explosives.

- Veiller à bien entreposer la réserve de carburant dans un bidon approprié et à l'écart de tout risque d'incendie.
- Empêcher tout incendie ou explosion sous l'effet d'une décharge d'électricité statique. Utiliser exclusivement des bidons à carburant portables non métalliques homologués par Underwriter's Laboratory (U.L.) ou par l'American Society for Testing & Materials (ASTM).
- Toujours faire le plein du réservoir de carburant à l'extérieur, dans un endroit bien aéré. Ne jamais faire le plein de carburant à l'intérieur (exemples : sous-sol, garage, grange, remise, maison, galerie, etc.). Ne jamais faire le plein près d'appareils à veilleuse, réchauffeurs et autres sources d'inflammation. Si le réservoir doit être vidangé, le faire à l'extérieur et avec un équipement adapté. Ne pas verser le carburant à partir du réservoir. Le carburant vidangé doit être conservé dans un bidon spécifiquement conçu pour le carburant ou il doit être éliminé avec précaution.
- Ne jamais ouvrir le bouchon du réservoir ni ajouter du carburant avec le moteur en marche. Arrêter le moteur et le laisser refroidir avant d'enlever le bouchon du réservoir ou de refaire le plein de carburant.
- Ne pas fumer à proximité de carburant moteur ou lorsqu'on en manipule.
- Ne jamais vidanger le carburant du moteur dans un endroit fermé.

- Toujours essuyer l'excédent (débordement) de carburant de la surface du moteur avant de démarrer. Nettoyer immédiatement tout carburant déversé par accident. En cas de déversement accidentel, ne pas démarrer le moteur mais éloigner le produit et le bidon de carburant. Nettoyer le carburant déversé et le laisser s'évaporer et sécher après avoir essuyé et avant de démarrer.
- Laisser les fumées/vapeurs de carburant s'échapper de la zone avant de démarrer le moteur.
- Vérifier que le bouchon du réservoir est correctement en place avant de démarrer le moteur.
- Toujours faire fonctionner le moteur avec le bouchon de réservoir correctement fermé.
- Ne jamais fumer lorsqu'on remplit le réservoir de carburant ou durant la marche du moteur.
- Ne pas entreposer le moteur à l'intérieur avec du carburant dans le réservoir. Le carburant et ses vapeurs sont très explosifs.
- Durant l'entreposage, serrer fermement le bouchon du réservoir.
- Ne jamais verser de carburant directement à partir du réservoir du moteur.
- Ne jamais siphonner le carburant par la bouche pour vidanger le réservoir.
- Toujours faire remplir le réservoir de carburant par un adulte, jamais par un enfant.
- Ne jamais laisser une personne sous l'emprise de l'alcool ou de drogues faire le plein du moteur.
- Entreposer l'essence ou une machine avec du carburant dans le réservoir à l'écart de chaudières, poêles, chauffe-eau et autres appareils électroménagers comportant une veilleuse ou autre source d'inflammation susceptible d'enflammer les vapeurs d'essence.

## BRÛLURES ET FEUX

Le silencieux, le protège-silencieux et d'autres pièces du moteur deviennent extrêmement chauds durant la marche du moteur. Ces pièces restent très chaudes après l'arrêt du moteur.

## PRÉVENTION DES BRÛLURES ET DES INCENDIES

- Ne jamais démonter le protège-silencieux du moteur.
- Ne jamais toucher le protège-silencieux parce qu'il est extrêmement chaud et provoquerait des blessures graves.
- Ne jamais toucher les pièces du moteur qui deviennent chaudes après la marche.
- Toujours tenir tous matériaux et débris à l'écart du protège-silencieux et autres pièces chaudes du moteur pour écarter les risques de feu.

## ENTRETIEN

- Toujours arrêter le moteur avant de s'éloigner de la machine et de la nettoyer, la réparer ou la contrôler. Le moteur doit être à l'arrêt et froid et le câble de bougie débranché de la bougie avant toute tentative de réparation ou de réglage. Ne jamais effectuer des réglages ou des réparations avec le moteur en marche. Débrancher le câble de bougie et le tenir loin de la bougie pour éviter tout démarrage accidentel.
- Toujours porter une protection oculaire pour effectuer des réglages ou des réparations.
- Maintenir tous les écrous et vis bien serrés et le matériel en bon état.
- Ne jamais altérer les dispositifs de sécurité. Vérifier régulièrement leur bon fonctionnement.
- Lors de l'entretien ou des réparations, ne pas basculer ni retourner le moteur sauf sur instruction spécifique dans ce manuel. Les procédures d'entretien et de réparation peuvent se faire avec le moteur en position verticale. Certaines procédures sont plus faciles à effectuer si le moteur est sur une plateforme surélevée ou un plan de travail.
- Pour réduire le risque d'incendie, éviter toute accumulation d'herbes, de feuilles et autres débris sur le moteur. Nettoyer les déversements d'huile ou de carburant. Laisser le moteur refroidir avant de l'entreposer.
- Arrêter et contrôler le matériel après avoir heurté un objet. Réparer, le cas échéant, avant de redémarrer.
- Nettoyer et remplacer les autocollants de sécurité et d'instruction comme il se doit.
- Pour protéger le moteur contre la surchauffe, s'assurer que la grille à débris du moteur est toujours en place et propre.
- Contrôler le moteur avant de l'entreposer. Lorsqu'il n'est pas utilisé, débrancher le câble de bougie et entreposer à l'intérieur dans un endroit sec verrouillé ou autrement inaccessible aux enfants.
- Utiliser exclusivement des pièces d'origine Viper, y compris tous les écrous et boulons.

## AUTOCOLLANTS DE SÉCURITÉ

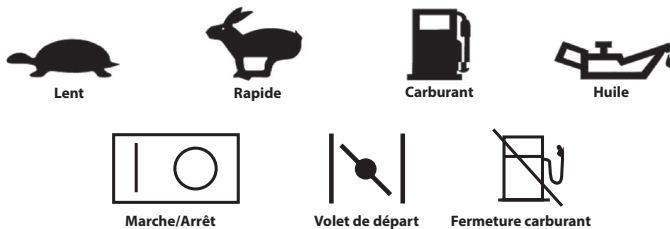
Ce moteur est conçu et fabriqué pour offrir toute la sécurité et la fiabilité qu'on est en droit d'attendre d'un leader du marché de l'outillage motorisé pour travaux extérieurs.

Bien que le présent manuel et les instructions de sécurité qu'il contient fournissent les connaissances de base nécessaires pour utiliser ce matériel efficacement et en toute sécurité, nous avons apposé plusieurs autocollants de sécurité sur le moteur pour rappeler certaines informations importantes à l'opérateur durant son utilisation.

Les illustrations à la page 23 ont pour objet de familiariser l'opérateur avec l'emplacement et le contenu des symboles de sécurité, visibles durant les opérations normales d'utilisation. Veillez à les passer en revue maintenant et, en cas de doute concernant leur signification ou le respect de ces instructions, relire complètement les instructions de sécurité du manuel. Pour toute autre question, s'adresser au service après-vente Ardisam.

### SYMBOLES DE COMMANDE ET DE FONCTIONNEMENT

Les symboles de commande et de fonctionnement figurant sur la machine et dans le manuel sont illustrés ci-dessous. Avant d'utiliser la machine, veillez à apprendre et à comprendre la signification de chaque symbole.



### SYMBOLES DE SÉCURITÉ ET SIGNIFICATIONS

- A: Avertissement!
- B: Danger de blessure par les fraises en rotation.
- C: Lire le manuel de l'utilisateur avant d'utiliser la machine.
- D: Enlever les objets susceptibles d'être projetés par cette machine.
- E: Pièces en mouvement dangereuses.
- F: Prendre garde aux pièces en mouvement et en rotation.
- G: Porter en permanence une protection des yeux et des oreilles.
- H: Ne pas effectuer d'entretien ni de réglage de pièces en mouvement avant d'avoir coupé le moteur et débranché le câble de bougie.
- I: S'habiller comme il se doit et porter des chaussures solides.
- J: Vapeurs toxiques — Ne pas faire fonctionner dans des endroits non ventilés.
- K: Surfaces chaudes.
- L: Risques d'incendie.
- M: Ne pas utiliser durant des orages. En cas de fortes intempéries, arrêter la machine et se mettre à l'abri.
- N: Levage à plusieurs — Par mesure de sécurité, toujours soulever cette machine à deux personnes au moins.
- O: Ne pas labourer au-dessus de canalisations et tuyaux souterrains.
- P: Ne pas utiliser en présence d'enfants ou autres personnes.



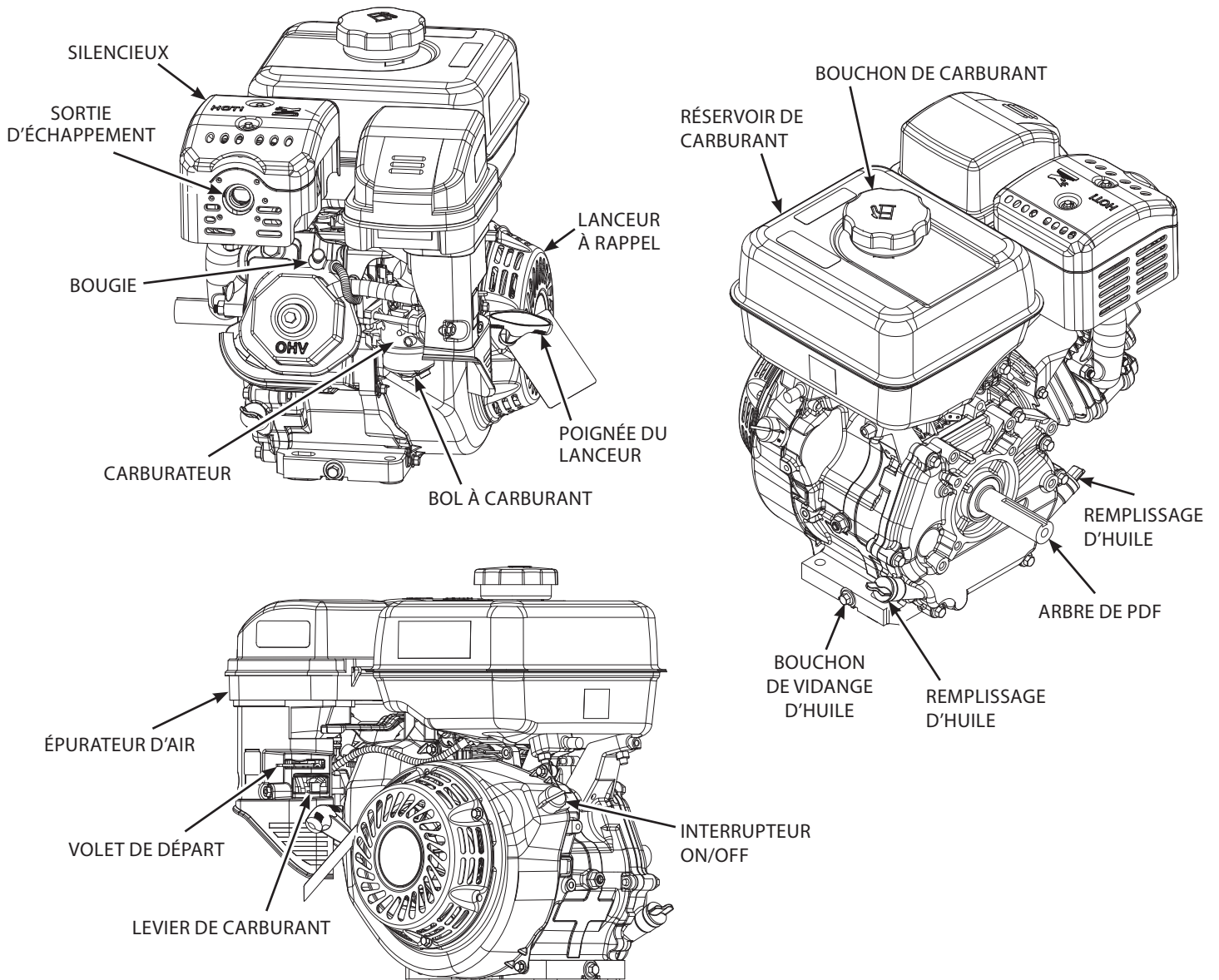
### DONNÉES TECHNIQUES

Cylindrée / cycle	301 cc; 4 temps
Type d'allumage	Allumage électronique
Système de refroidissement	Refroidissement par air forcé
Réglage de ralenti du carburateur	1900 +/- 100 tr/min
Jeu des soupapes	Moteur froid - Admission : 0,05 +/- 0,01 mm; Échappement : 0,05 +/- 0,01 mm
Couple maximal	13,28 pi-lb à 2 500 tr/min
Alésage et course	80 x 60 mm
Type de bougie	Torch F6TC, NGK : BPR6ES
Type de carburant recommandé	Essence d'indice d'octane 87 minimum SANS éthanol <b>REMARQUE : Si une essence contenant de l'éthanol est utilisée, il est conseillé d'ajouter un stabilisateur de carburant dans les proportions spécifiées par le fabricant. NE PAS utiliser de mélanges d'éthanol E85.</b>
Capacité du réservoir d'essence	6,5 litres (1,72 gallon)
Type d'arbre moteur	Arbre horizontal droit de 1 po à rainure de clavette (1/4 po) avec roulements à billes. Rotation : sens inverse des aiguilles d'une montre (face à l'arbre). Taraudage : 3/8 po-24 UNF
Type de démarreur	Lanceur à rappel
Vitesse	3800 tr/min
Capacité et type d'huile	~1,1 litre (1,16 pte / 37,2 oz); SAE 15W40 (par temps de gel, utiliser 5W30)
Poids	26 kg (57,2 lb)
Dimensions hors tout	448 mm x 444 mm x 372 mm

## CARACTÉRISTIQUES

### COMPOSANTS DU MOTEUR

Ceci est un moteur 4 temps refroidi par air. Le moteur de 301 cc est à arbre horizontal et à graissage par barbotage.





## **⚠ AVERTISSEMENT**

- ⚠ **NE PAS TENTER DE DÉMARRER LE MOTEUR DES FAÇONS SUIVANTES :**
  - NE PAS UTILISER DE LIQUIDE DE DÉMARRAGE.
  - NE PAS VAPORISER DES LIQUIDES OU VAPEURS INFLAMMABLES DANS L'ÉPURATEUR D'AIR, LE CARBURATEUR OU LE LOGEMENT DE BOUGIE.
  - NE PAS RETIRER LA BOUGIE ET TIRER SUR LE CORDON DU LANCEUR. DU CARBURANT INFLAMMABLE PEUT GICLER ET ÊTRE ENFLAMMÉ PAR UNE ÉTINCELLE DE LA BOUGIE.
- ⚠ **NE PAS FUMER NI SE TENIR PRÈS D'UNE FLAMME NUE OU D'AUTRES DANGERS POTENTIELS POUR REFAIRE LE PLEIN DE CARBURANT.**
- ⚠ **LE CARBURANT EST TRÈS INFLAMMABLE ET DOIT ÊTRE MANIPULÉ AVEC PRÉCAUTION. NE JAMAIS REMPLIR LE RÉSERVOIR LORSQUE LE MOTEUR EST CHAUD OU QU'IL TOURNE. TOUJOURS FAIRE LE PLEIN DU RÉSERVOIR À L'EXTÉRIEUR.**
- ⚠ **TOUJOURS EFFECTUER UN CONTRÔLE PRÉALABLE AVANT CHAQUE UTILISATION ET RECTIFIER TOUT PROBLÈME.**
- ⚠ **UN MAUVAIS ENTRETIEN DU MOTEUR OU UN PROBLÈME NON RECTIFIÉ AVANT LA MISE EN MARCHÉ PEUVENT PROVOQUER UN MAUVAIS FONCTIONNEMENT.**
- ⚠ **DES BLESSURES GRAVES OU LA MORT SONT POSSIBLES SI CETTE MISE EN GARDE N'EST PAS RESPECTÉE.**

## **UTILISATION**

### **CONTRÔLE AVANT UTILISATION**

1. Vérifier que le moteur est rempli de la bonne quantité et du bon type d'huile. Voir le type correct d'huile à utiliser *dans le graphique « Choisir le type d'huile » à la page 26.*
2. Vérifier que le moteur contient une quantité suffisante de carburant.
3. Examiner le dessous et le pourtour du moteur pour vérifier l'absence de fuites d'essence ou d'huile.
4. Contrôler le bon serrage et l'étanchéité des tuyaux et raccords de carburant.
5. Vérifier l'absence d'indications de dommages du moteur.
6. Vérifier que tous les écrans et carters de protection sont en place et tous les boulons, vis et écrous sont serrés.
7. Éliminer les saletés excessives autour du silencieux et du lanceur.
8. S'assurer que le filtre à air et les ailettes du cylindre sont propres et exempts de saletés.

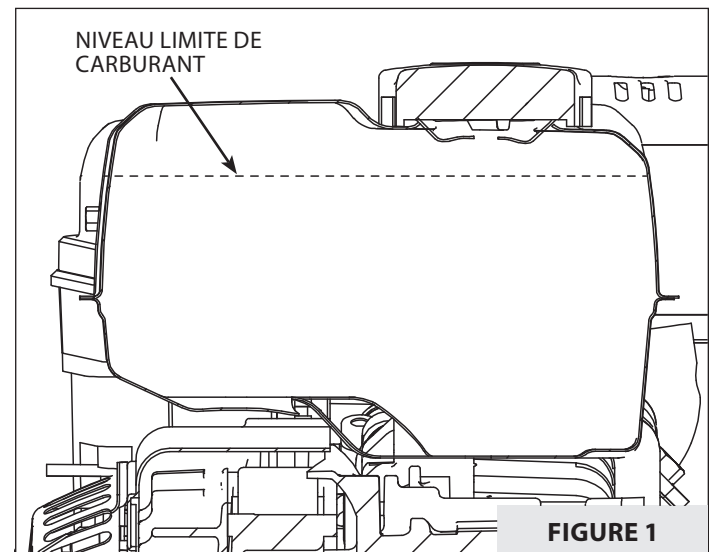
9. Contrôler le matériel entraîné par ce moteur. Voir toutes les mises en garde et mesures de précaution et les procédures à suivre avant de démarrer le moteur dans le manuel de l'utilisateur fourni avec le matériel entraîné par le moteur.

### **CONTRÔLER ET REMPLIR LE RÉSERVOIR DE CARBURANT**

S'assurer que le moteur est posé sur une surface de niveau avant de contrôler le niveau de carburant ou de faire le plein. Utiliser uniquement de l'essence automobile ordinaire sans plomb de qualité supérieure. Les essences contenant peu ou pas d'éthanol sont recommandées. L'essence peut contenir jusqu'à 10 % d'éthanol. **NE PAS mélanger d'huile dans l'essence.**

*REMARQUE : Si des mélanges d'éthanol sont utilisés, il est conseillé d'utiliser aussi un traitement pour essence à éthanol pour la protection contre la corrosion. Ne pas utiliser d'E85.*

1. S'assurer que le moteur est froid et à l'arrêt durant le remplissage.
  2. Ouvrir le bouchon du réservoir.
  3. Remplir le réservoir jusqu'au niveau limite de carburant. **VOIR FIGURE 1.**
- Remarque : Ne pas trop remplir. Laisser de la place pour la dilatation du carburant.*
4. Remettre le bouchon en place et essuyer tout carburant déversé avant de mettre en marche.



## **⚠ AVERTISSEMENT**

- ⚠ LE MOTEUR EST EXPÉDIÉ DE L'USINE SANS HUILE. VEILLER À FAIRE LE PLEIN D'HUILE MOTEUR AVANT DE DÉMARRER LE MOTEUR.
- ⚠ L'HUILE MOTEUR EST DANGEREUSE POUR LA SANTÉ. ÉLIMINER L'HUILE COMME IL SE DOIT. L'AMENER À UNE DÉCHETTERIE OU UN CENTRE DE RECYCLAGE PRÉVU À CET EFFET.
- TOUJOURS EFFECTUER UN CONTRÔLE PRÉALABLE AVANT CHAQUE UTILISATION ET RECTIFIER TOUT PROBLÈME.
- UN MAUVAIS ENTRETIEN DU MOTEUR OU UN PROBLÈME NON RECTIFIÉ AVANT LA MISE EN MARCHÉ PEUVENT PROVOQUER UN MAUVAIS FONCTIONNEMENT.
- DES BLESSURES GRAVES OU LA MORT SONT POSSIBLES SI CETTE MISE EN GARDE N'EST PAS RESPECTÉE.

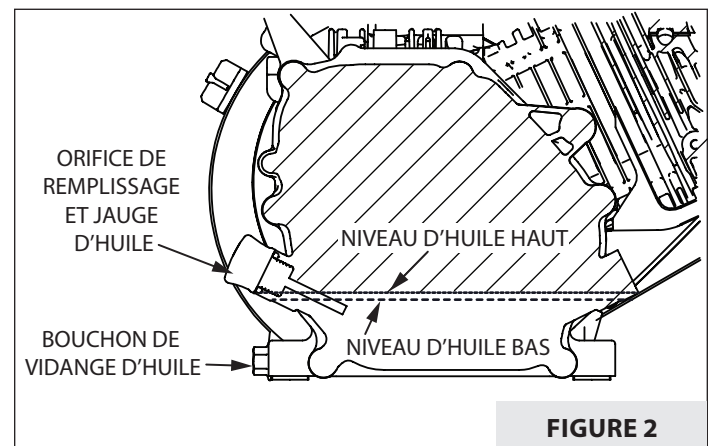
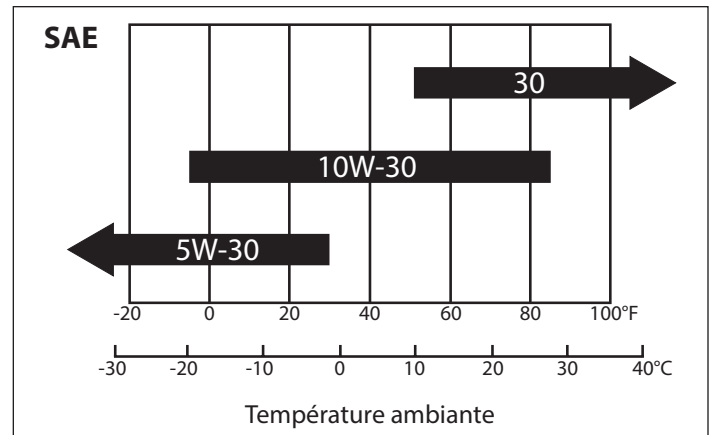
## **CONTRÔLER ET COMPLÉTER LE NIVEAU D'HUILE**

S'assurer que le moteur est posé sur une surface de niveau avant de contrôler ou compléter le niveau d'huile.

1. Essuyer les surfaces autour des bouchons de remplissage et de vidange d'huile. **VOIR FIGURE 2.**
2. Dévisser la jauge d'huile et l'essuyer avec un chiffon. **VOIR FIGURE 2.**
3. Remettre la jauge d'huile en place et la serrer.
4. Extraire la jauge et vérifier le niveau d'huile.
5. Si le niveau d'huile est en dessous du repère sur la jauge, le compléter jusqu'au niveau supérieur. **VOIR FIGURE 2.**
6. Changer l'huile si elle est sale.

*REMARQUE : L'huile peut être versée dans le moteur Viper par l'ouverture de la jauge d'huile ou par celle du bouchon de remplissage d'huile. S'il y a un bouchon d'huile, le dévisser et remplir d'huile jusqu'à ce que le niveau d'huile atteigne le haut du filetage de l'ouverture du bouchon.*

## **CHOISIR LE TYPE D'HUILE**



## **⚠ AVERTISSEMENT**

- ⚠ UN MAUVAIS ENTRETIEN OU UN PROBLÈME NON RECTIFIÉ AVANT LA MISE EN MARCHÉ PEUVENT PROVOQUER UN MAUVAIS FONCTIONNEMENT. TOUJOURS SUIVRE LES RECOMMANDATIONS ET CALENDRIERS DE CONTRÔLE ET D'ENTRETIEN FIGURANT DANS CE MANUEL DE L'UTILISATEUR.
- ⚠ VÉRIFIER RÉGULIÈREMENT LE SERRAGE DES VIS ET ÉCROUS DU MOTEUR. LES GARDER BIEN SERRÉS.
- ⚠ LA TEMPÉRATURE DU SILENCIEUX ET DES ZONES AVOISINANTES PEUT DÉPASSER 65 °C (150 °F). ÉVITER DE TOUCHER CES SURFACES.
- ⚠ **ÉVITER LES DÉMARRAGES ACCIDENTELS :**
  - LE MOTEUR DOIT ÊTRE À L'ARRÊT ET FROID.
  - LE CÂBLE DE BOUGIE DOIT ÊTRE DÉBRANCHÉ DE LA BOUGIE AVANT TOUT CONTRÔLE OU RÉGLAGE DU MOTEUR OU DE LA MACHINE.

**⚠ AVERTISSEMENT**

- ⚠ LE MONOXYDE DE CARBONE GAZEUX EST TOXIQUE. PLACER LE MOTEUR DANS UN ENDROIT BIEN AÉRÉ, À L'EXTÉRIEUR, POUR ÉVITER TOUTE INTOXICATION AU MONOXYDE DE CARBONE. L'INHALATION PEUT PROVOQUER LA PERTE DE CONSCIENCE ET LA MORT.
- ⚠ NE JAMAIS LAISSER LE MOTEUR EN MARCHÉ SANS SURVEILLANCE.
- ⚠ PLACER LE MOTEUR DANS UN ENDROIT BIEN AÉRÉ, TOUJOURS À L'EXTÉRIEUR, POUR ÉVITER TOUTE INTOXICATION AU MONOXYDE DE CARBONE.
- ⚠ SE METTRE À L'ÉCART DES FLAMMES OU ÉTINCELLES POUR ÉVITER D'ENFLAMMER LES VAPEURS ÉVENTUELLEMENT PRÉSENTES.

**⚠ AVIS**

L'UTILISATION DU MOTEUR À DES INCLINAISONS DE PLUS DE 25 DEGRÉS ENTRAÎNE UNE PERTE DE GRAISSAGE ET LE GRIPPAGE DU MOTEUR.

**DÉMARRER ET ARRÊTER LE MOTEUR**

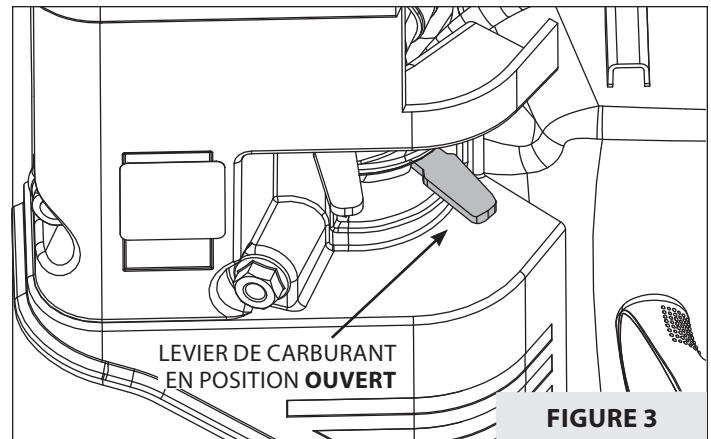
Lire les sections « Avertissements et mesures de précaution » et « Contrôle avant utilisation » avant de démarrer le moteur.

**DÉMARRAGE DU MOTEUR**

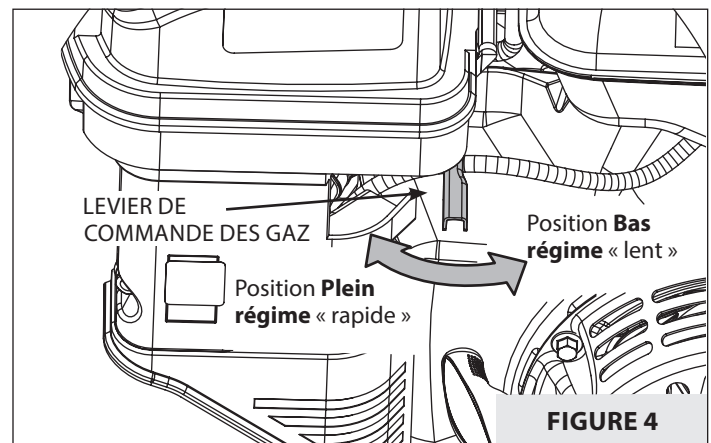
1. Mettre le levier du robinet de carburant en position **OUVERT**.  
**VOIR FIGURE 3.**
2. Placer le moteur dans un endroit bien aéré, toujours à l'extérieur, pour éviter toute intoxication au monoxyde de carbone.
3. Se mettre à l'écart des flammes ou étincelles pour éviter d'enflammer les vapeurs éventuellement présentes.
4. Éliminer toutes les saletés des orifices de l'épurateur d'air et des ailettes de refroidissement pour permettre une bonne circulation d'air.
5. Mettre le levier de commande des gaz à mi-distance entre les positions de **PLEIN** et **BAS** régime. (Cela n'est pas nécessaire sur les modèles à commande des gaz fixe en position de plein régime.)  
**VOIR FIGURE 4.**

**REMARQUE :** Le **PLEIN RÉGIME** correspond à la position du levier de commande des gaz complètement à gauche et le **BAS RÉGIME** à la position du levier complètement à droite.

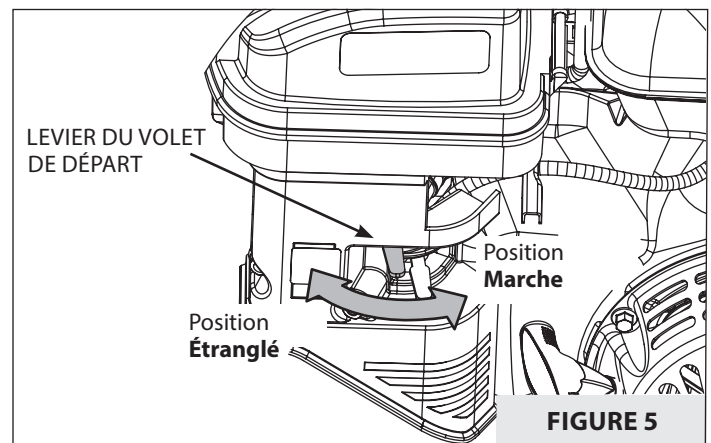
6. Régler le levier du volet de départ :
  - Si le moteur est froid ou que la température ambiante est basse, mettre le levier du volet de départ en position **ÉTRANGLÉ**. **VOIR FIGURE 5.**
  - Si le moteur est chaud ou que la température ambiante est élevée, mettre le levier du volet de départ en position **MARCHE** ou à mi-distance entre les positions **ÉTRANGLÉ** et **MARCHE**. **VOIR FIGURE 5.**



**FIGURE 3**



**FIGURE 4**



**FIGURE 5**

**REMARQUE :** Le mode **MARCHE** correspond à la position du levier de volet de départ complètement à droite et le mode **ÉTRANGLÉ** à la position du levier complètement à gauche.

7. Mettre l'interrupteur On/Off (marche/arrêt) en position **ON**. **VOIR FIGURE 6.**
8. Saisir la poignée du lanceur et tirer lentement jusqu'à sentir une résistance. Sans laisser le cordon du lanceur se rétracter, le tirer d'un mouvement rapide. **NE PAS** tirer le cordon jusqu'au bout. Le laisser revenir lentement à sa position de repos. Répéter cette étape jusqu'à ce que le moteur démarre.
9. Une fois que le moteur se met en marche, mettre le levier du volet de départ à mi-distance entre les positions **MARCHE** et **ÉTRANGLÉ**. Cette position est considérée comme la position **SEMI-ÉTRANGLÉ** du volet. **VOIR FIGURE 5.**
10. Laisser le moteur fonctionner pendant 30 à 45 secondes en position **SEMI-ÉTRANGLÉ** jusqu'à ce qu'il ait chauffé.
11. Une fois le moteur chaud, déplacer lentement le levier du volet de départ jusqu'en position de **MARCHE** normale. **VOIR FIGURE 5.**
12. Amener le levier de commande des gaz au régime souhaité. (*Cela n'est pas nécessaire sur les modèles à commande des gaz fixe en position de plein régime.*)  
**VOIR FIGURE 4.**

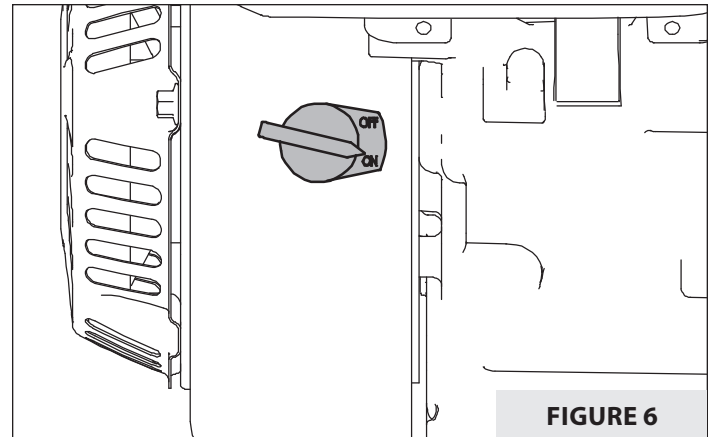
**REMARQUE :** Le moyen à bas régime doit s'utiliser pour faire tourner le moteur au ralenti et le plein régime lorsque le moteur est utilisé.

#### **POUR ARRÊTER LE MOTEUR :**

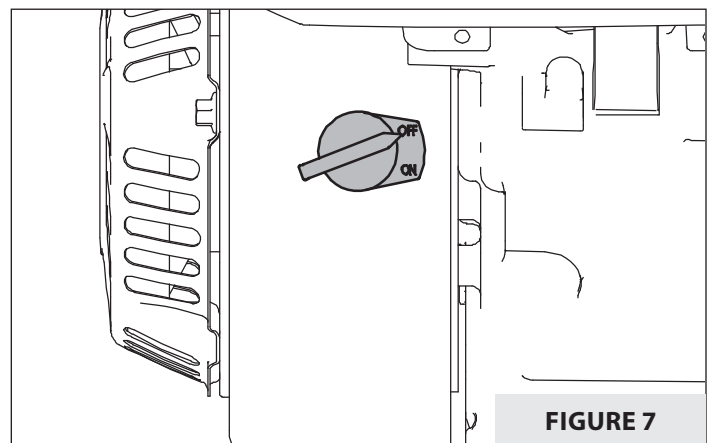
1. Mettre la commande des gaz en position **BASSE** et laisser le moteur tourner à bas régime pendant 1 à 2 minutes. (*Cela n'est pas nécessaire sur les modèles à commande des gaz fixe en position de plein régime.*)  
**VOIR FIGURE 4.**
2. Mettre l'interrupteur On/Off (marche/arrêt) en position **OFF**. **VOIR FIGURE 7.**
3. Mettre le levier de carburant en position **FERMÉ**. **VOIR FIGURE 8.**
4. Tirer la poignée du lanceur lentement jusqu'à sentir une résistance et la ramener en position de repos. Cela empêche l'humidité extérieure de pénétrer dans la chambre de combustion.

#### **ARRÊTER LE MOTEUR AVEC LE LEVIER DE CARBURANT :**

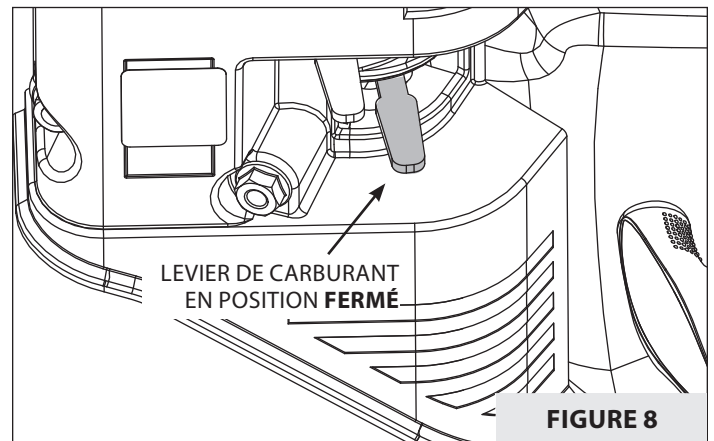
Mettre le levier de carburant en position **FERMÉ** et attendre l'arrêt du moteur. Éviter de laisser du carburant dans le carburateur pendant de longues périodes, sinon les passages du carburateur peut s'encrasser, entraînant des problèmes de fonctionnement.



**FIGURE 6**



**FIGURE 7**



**FIGURE 8**

## ENTRETIEN ET ENTREPOSAGE

Veiller à consulter le calendrier d'entretien, trouvé dans la déclaration de garantie combinée des systèmes d'échappement et de récupération des vapeurs d'essence ci-jointe, et respecter les intervalles d'exploitation recommandés pour l'entretien afin d'étendre la durée de service du moteur.

Un bon entretien est indispensable à un fonctionnement sûr, économique et sans panne. Cela contribue également à réduire la pollution de l'air. Pour assurer des soins corrects du moteur, les pages suivantes comportent des instructions de contrôle courant et des instructions d'entretien élémentaire au moyen d'outils à mains de base. Il est préférable de confier à des professionnels les tâches d'entretien ou de réparation plus difficiles ou nécessitant un outillage spécial et qui sont normalement effectuées par un technicien ou autre mécanicien qualifié.

**L'entretien, le remplacement et la réparation des dispositifs et systèmes de contrôle des émissions peuvent être effectués par tout mécanicien ou atelier de réparation de moteurs hors route. Toutefois, ces éléments doivent être confiés à un concessionnaire agréé pour bénéficier d'un service sous garantie de contrôle des émissions « sans frais ».**

## ENTRETIEN DU MOTEUR

Pour les contrôles d'entretien quotidiens, se reporter à la section « Contrôle avant utilisation » et la déclaration de garantie sur les émissions de l'EPA (*jointe à ce produit*).

## LUBRIFICATION

Choisir une huile moteur conforme ou supérieure à la classe de service API la plus récente. Pour les températures supérieures à 0 °C (32 °F), utiliser de l'huile moteur SAE 30 ou SAE 15W-40. Utiliser de l'huile SAE 5W-30 ou SAE 10W aux températures inférieures à 0 °C (32 °F).

## ENTRETIEN DE L'HUILE

L'huile d'un moteur Viper neuf doit être changée au bout des cinq premières heures de marche, puis toutes les 50 heures de marche par la suite. L'huile doit être changée toutes les 25 heures en cas d'utilisation sous des conditions difficiles, telles qu'aux hautes températures ou sous des charges élevées, sinon elle doit être changée chaque semaine. Contrôler le niveau d'huile régulièrement, ne pas trop remplir.

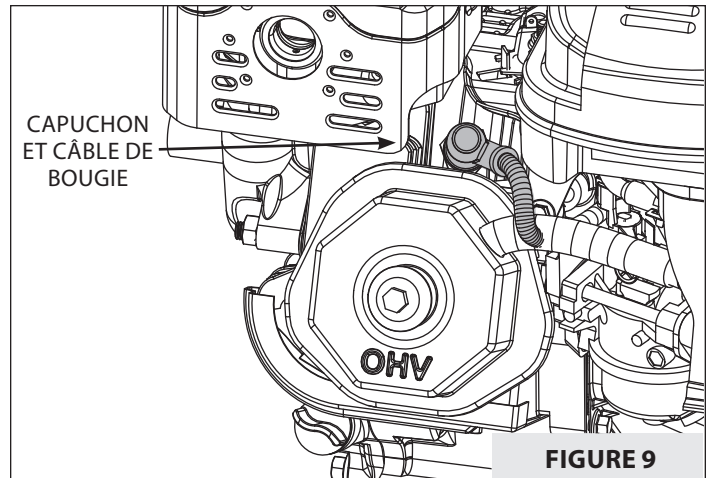
## CHANGER L'HUILE

S'assurer que le moteur est à l'arrêt et posé sur une surface de niveau avant de contrôler et de compléter le niveau d'huile. Il est préférable que le moteur soit chaud pour faciliter la vidange de l'huile.

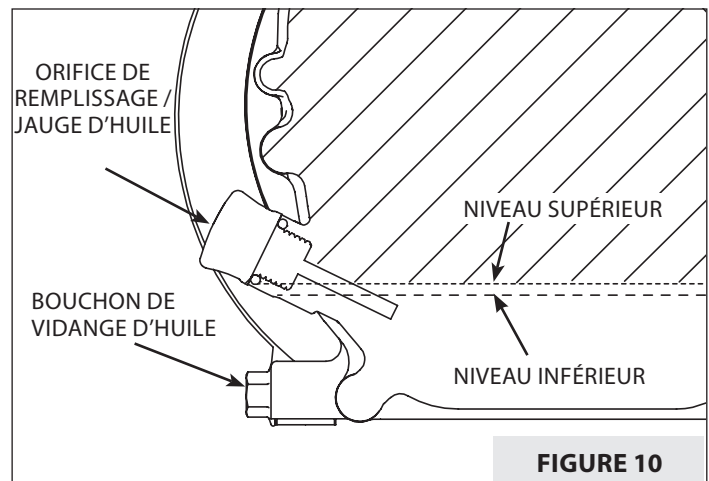
1. Débrancher le câble/capuchon de bougie et l'écartier de la bougie. **VOIR FIGURE 9.**
2. Dévisser le bouchon de vidange d'huile et vidanger l'huile dans un récipient approprié. Éliminer l'huile comme il se doit. **VOIR FIGURE 10.**

## ⚠ ATTENTION

**⚠ LA MARCHÉ DU MOTEUR AVEC UN NIVEAU D'HUILE INSUFFISANT PEUT ENDOMMAGER LE MOTEUR. CE TYPE DE DOMMAGE N'EST PAS COUVERT PAR LA GARANTIE.**



**FIGURE 9**



**FIGURE 10**

3. Remonter le bouchon de vidange. Retirer la jauge d'huile (le cas échéant) ou le bouchon de remplissage d'huile. **VOIR FIGURE 10.**
4. Remplir avec une huile qui convient jusqu'au repère supérieur ou **FULL** (plein) de la jauge d'huile, sinon jusqu'en haut du filetage de l'orifice de remplissage d'huile. **VOIR FIGURE 10.**  
**REMARQUE : La capacité d'huile est de 1,1 litre (1,16 pte / 37,2 oz). Voir le type d'huile moteur correct ci-dessus, sous Lubrification.**
5. Remettre la jauge d'huile ou le bouchon d'huile en place et serrer.

## BOUGIE

Les bougies recommandées sont indiquées dans la section Données techniques à la page 23.

### CONTRÔLER ET CHANGER LA BOUGIE

1. Vérifier la bougie tous les 50 heures de fonctionnement.
2. Débrancher le capuchon de bougie et nettoyer tous débris autour de la bougie.
3. Retirer la bougie et la changer dans les cas suivants : électrodes piquées, électrodes brûlées, porcelaine fissurée ou dépôts autour des électrodes.
4. Après examen, visser la bougie à fond à la main puis serrer avec une clé à bougie pour comprimer la rondelle d'étanchéité. **VOIR FIGURE 9 À LA PAGE PRÉCÉDENTE**
  - Bougie d'origine : serrer de 1/2 tour supplémentaire.
  - Bougie neuve : régler l'écartement des électrodes à 0,6 à 0,8 mm (0,030 po) et serrer de 1/8 à 1/4 tour supplémentaire.

**REMARQUE :** Une bougie mal serrée peut surchauffer et endommager le moteur. Un serrage excessif de la bougie peut endommager le filetage de la culasse.

### ENTRETIEN DE LA BOUGIE

La bougie doit être démontée, nettoyée et son écartement ajusté au bout d'environ cinquante heures de fonctionnement.

**REMARQUE :** Ne pas utiliser de jet de sable pour nettoyer les bougies. Des particules microscopiques restant dans la bougie peuvent rayer le cylindre du moteur durant la marche. Utiliser du solvant et une brosse métallique pour nettoyer la bougie et de l'air comprimé pour souffler tous les dépôts.

### FILTRE À AIR

Voir les suggestions de fréquence d'entretien du filtre à air dans le calendrier d'entretien. **Nettoyer le filtre chaque jour en cas de conditions extrêmement poussiéreuses.**

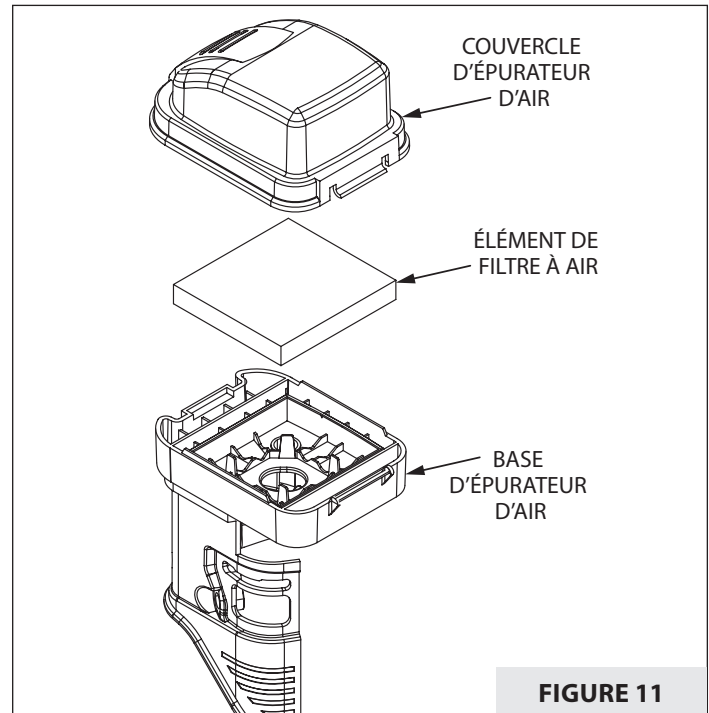
### DÉMONTER ET REMONTER LE FILTRE À AIR. VOIR FIGURE 11.

1. Démontez le couvercle d'épurateur d'air.
2. Retirez le filtre à air.
3. Le remplacer par un filtre à air neuf.
4. Remontez le couvercle d'épurateur d'air.



## ATTENTION

**⚠ NE JAMAIS FAIRE FONCTIONNER LE MOTEUR SANS FILTRE À AIR CORRECTEMENT EN PLACE. L'ABSENCE DE FILTRE À AIR SUR LE MOTEUR PEUT ENTRAÎNER UNE USURE SUPPLÉMENTAIRE ET LA DÉFAILLANCE DU MOTEUR.**



**FIGURE 11**

### POUR LAVER LE FILTRE À AIR :

1. Laver le filtre dans de l'eau tiède avec un savon doux pour éliminer toute la saleté et les débris. Presser le filtre durant le nettoyage, ne pas le tordre.
2. Rincer dans de l'eau tiède pour éliminer tout le savon et la saleté.
3. Pour sécher le filtre, l'envelopper dans un chiffon propre et le presser jusqu'à ce qu'il soit sec.

### CARBURATEUR

- Ne jamais modifier le réglage d'usine du carburateur.
- Si un ajustement est nécessaire, s'adresser au service après-vente.

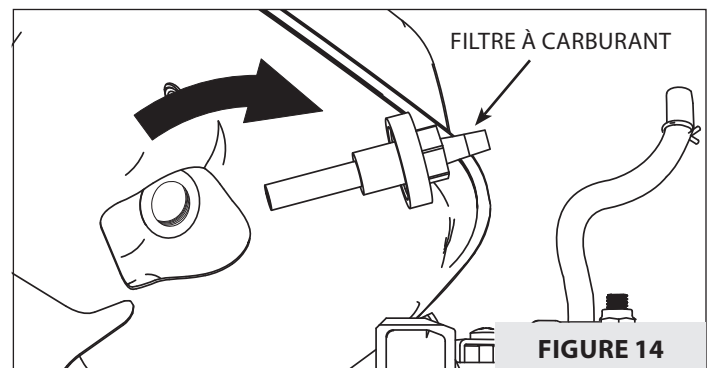
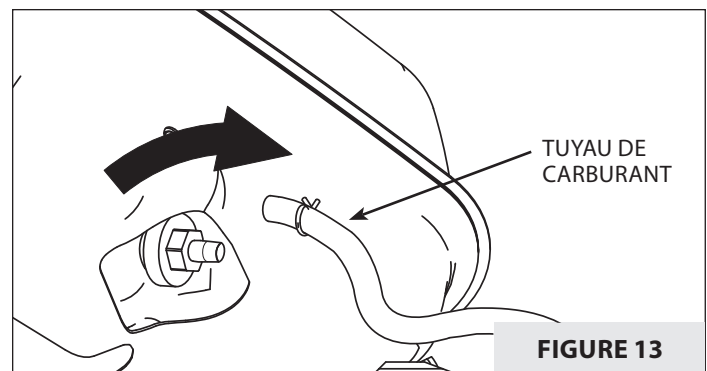
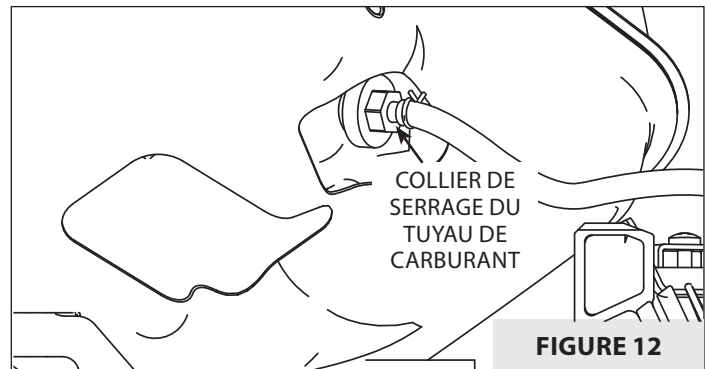
## FILTRE À CARBURANT

### POUR NETTOYER OU CHANGER LE FILTRE À CARBURANT :

1. Débrancher le câble de la bougie. Démontez la bougie et protéger le trou de bougie contre la saleté.
2. Vidanger le carburant du réservoir avant de tenter de nettoyer ou changer le filtre.
3. Retirer les deux écrous de fixation du silencieux sur le moteur et déposer le silencieux.
4. Retirer la vis unique du réservoir de carburant.
5. Retirer les deux écrous du dessous du réservoir.
6. Soulever le réservoir avec précaution pour le dégager du moteur et détacher le collier de serrage du tuyau de carburant. **VOIR FIGURES 12 ET 13.**
7. Démontez le filtre du réservoir en utilisant une douille de taille correcte pour tourner le filtre dans le sens inverse des aiguilles d'une montre. **VOIR FIGURE 14.**
8. Le filtre peut être lavé avec du kérosène ou autre solvant semblable.
9. Si le filtre est très sale ou déchiré, le remplacer par un filtre neuf.
10. Remonter et faire le plein avec de l'essence fraîche et propre. Vérifier l'étanchéité avant de démarrer le moteur.

### TRANSPORTER LE MOTEUR

1. Mettre le levier de carburant en position **FERMÉ** pour couper l'arrivée de carburant. Si ce robinet n'est pas fermé, du carburant brut peut pénétrer dans le carter et contaminer l'huile moteur, entraînant une lubrification insuffisante. **CELA PEUT PROVOQUER DES DOMMAGES GRAVES DU MOTEUR. VOIR FIGURE 3.**
2. Ne jamais transporter le moteur à l'intérieur d'un espace ou véhicule fermé. Le carburant ou ses vapeurs peuvent s'enflammer et provoquer des blessures graves ou la mort.
3. S'il y a du carburant dans le réservoir, vider le réservoir ou transporter le moteur dans un véhicule ouvert en position verticale.
4. Si un véhicule fermé doit être utilisé, transférer le carburant dans un bidon d'essence rouge homologué. **NE PAS** siphonner par la bouche.
5. Vidanger ou faire tourner le moteur pour consommer le reste de carburant présent dans le carburateur et le réservoir. Toujours faire fonctionner le moteur dans un endroit bien aéré.
6. Essuyer tout déversement de carburant sur le moteur. Laisser sécher.



## ENTREPOSAGE DE LONGUE DURÉE

1. Mélanger une quantité appropriée de stabilisateur de carburant, par exemple STA-BIL<sup>®</sup>, à l'essence fraîche, dans les proportions recommandées sur l'emballage du stabilisateur. Faire tourner le moteur pendant cinq minutes pour répartir le mélange stabilisateur dans le circuit d'alimentation. Cela empêchera la formation de gomme, vernis et corrosion dans le circuit de carburant pendant l'entreposage de longue durée jusqu'à 12 mois.  
*REMARQUE : Il est conseillé de vidanger le réservoir de carburant et de le remplir de stabilisateur de carburant neuf tous les quatre mois. Le démarrage du moteur une fois par mois pour maintenir son état est également conseillé.*
2. Faire fonctionner le moteur pendant 10 à 15 minutes afin que le stabilisateur atteigne le carburateur.
  - a. ) Mettre le levier de carburant en position **FERMÉ** et démarrer le moteur. Laisser fonctionner le moteur jusqu'à ce qu'il épuise le carburant restant dans les conduites et le bol à carburant (il est normal que le moteur tourne pendant deux à trois minutes avant d'éliminer tout résidu de carburant du circuit).
3. Entreposer le moteur en position verticale.
4. Éliminer toutes les saletés du moteur.

## DÉPANNAGE ET RÉPARATION

Chez Ardisam, nous intégrons la qualité et la durabilité dans la conception de nos produits; mais toute la conception soignée et tout l'entretien attentionné ne sauraient garantir une existence totalement exempte de réparation de ce moteur Viper<sup>®</sup>. La majorité des problèmes sont mineurs et aisément résolus en suivant les indications du guide de dépannage de cette section.

Ce qui suit aide à diagnostiquer les causes des problèmes les plus courants et à identifier leurs solutions. Pour les réparations plus compliquées, s'adresser à l'un de nos centres de réparation agréés (ils peuvent être recherchés sur notre site à [www.getearthquake.com/Locations/ServiceCenter](http://www.getearthquake.com/Locations/ServiceCenter)) ou communiquer avec le Service après-vente Ardisam. Ardisam se chargera des réparations ou résolutions nécessaires si aucun centre de réparation n'est disponible. Nous sommes toujours heureux de répondre à toute question ou d'aider à trouver l'assistance nécessaire. Pour commander des pièces ou se renseigner sur la garantie, visiter la page « Contact us » de notre site web [www.getearthquake.com](http://www.getearthquake.com).



## AVERTISSEMENT

- ⚠ **LE CARBURANT EST TRÈS INFLAMMABLE ET DOIT ÊTRE MANIPULÉ AVEC PRÉCAUTION. NE JAMAIS REMPLIR NI VIDANGER LE RÉSERVOIR DE CARBURANT ALORS QUE LE MOTEUR EST CHAUD OU EN MARCHÉ. TOUJOURS SE METTRE À L'EXTÉRIEUR POUR REMPLIR OU VIDANGER LE RÉSERVOIR DE CARBURANT.**
- ⚠ **NE PAS FUMER NI SE TENIR PRÈS D'UNE FLAMME NUE OU D'AUTRES DANGERS POTENTIELS POUR VIDANGER LE CARBURANT.**
- ⚠ **LE CARBURANT EST TOXIQUE. NE PAS SIPHONNER LE CARBURANT PAR LA BOUCHE.**
- ⚠ **NE PAS ENTREPOSER LE MOTEUR À L'INTÉRIEUR D'UN BÂTIMENT AVEC DU CARBURANT DANS LE RÉSERVOIR. CELA PRÉSENTE UN RISQUE D'INFLAMMATION DU CARBURANT OU DE SES VAPEURS PAR DES ÉTINCELLES POTENTIELLES.**
- ⚠ **VEILLER À RESPECTER CES INSTRUCTIONS DE SÉCURITÉ AFIN D'ÉCARTER LES RISQUES DE BLESSURE OU DE MORT.**
- ⚠ **NE PAS FUMER NI SE TENIR PRÈS D'UNE FLAMME NUE OU D'AUTRES DANGERS POTENTIELS POUR VIDANGER LE CARBURANT.**
- ⚠ **VÉRIFIER RÉGULIÈREMENT LE SERRAGE DES VIS ET ÉCROUS DU MOTEUR. LES GARDER BIEN SERRÉS.**

## COMMANDER DES PIÈCES DE RECHANGE

Les pièces peuvent s'obtenir directement auprès de l'usine. Pour commander des pièces, visiter [www.getearthquake.com](http://www.getearthquake.com) ou appeler le 1-800-345-6007. Veiller à inclure les informations suivantes avec la commande : numéro de référence des pièces, description des pièces, quantité ainsi que numéro de modèle et numéro de série.

## PIÈCES DE RECHANGE

Utiliser exclusivement des pièces de rechange Viper<sup>®</sup> homologuées.



**GUIDE DE DÉPANNAGE**

PROBLÈME	CAUSE POSSIBLE	SOLUTION / MESURE CORRECTIVE
Le moteur ne démarre pas	1. Interrupteur d'alimentation en position d'arrêt	1. Mettre l'interrupteur en position <b>ON</b> (marche)
	2. Levier de carburant fermé	2. Vérifier que le levier de carburant est ouvert
	3. Câble de bougie débranché	3. Brancher le câble sur la bougie
	4. Panne de carburant	4. Refaire le plein
	5. Bougie humide, défectueuse ou d'écartement incorrect.	5. Nettoyer, changer ou régler la bougie
Machine à démarreur électrique	5. Batterie déchargée	5. Recharger la batterie
Le moteur a des ratés, se noie durant la marche	1. Filtre à air sale	1. Nettoyer ou changer le filtre à air
	2. Volet de départ partiellement engagé	2. Désengager le volet de départ
	3. Carburateur déréglé	3. Appeler le service après-vente Ardisam
Le moteur est difficile à démarrer	1. Carburant vicié	1. Vidanger le carburant usagé et le remplacer par du frais. Utiliser du stabilisateur de carburant en fin de saison.
	2. Câble de bougie lâche	2. S'assurer que le câble de bougie est solidement attaché à la bougie.
	3. Carburateur sale	3. Nettoyer le carburateur, utiliser du stabilisateur de carburant, un bidon neuf.
Le moteur a des ratés ou manque de puissance	1. Réservoir ou filtre à carburant encrassé	1. Retirer et nettoyer
	2. Filtre à air encrassé	2. Nettoyer ou changer
	3. Mauvais réglage du carburateur	3. Appeler le service après-vente Ardisam
	4. Bougie sale, écartement incorrect ou type incorrect	4. Changer la bougie et ajuster l'écartement 0,8 mm (0,030 po)
Le moteur tourne, puis cale	1. Bouchon de carburant hermétique à l'air	1. Changer le bouchon de carburant

Communiquer avec le service après-vente Ardisam si les solutions ci-dessus ne résolvent pas le problème.

## FONCTIONNEMENT EN HAUTE ALTITUDE

L'utilisation d'un moteur avec mélange air-carburant standard à des altitudes supérieures à 900 mètres (3 000 pieds) produit une carburation trop riche. Cela peut augmenter la consommation de carburant et les émissions et entraîner la formation de dépôts de calamine sur les bougies se traduisant par des difficultés de démarrage du moteur. Pour assurer la conformité aux normes fédérales sur les émissions et éviter des pertes de rendement, les moteurs doivent être équipés du nécessaire pour altitude approprié s'ils sont utilisés à des altitudes de 900 m (3 000 pi) ou plus.

### AVIS :

1. Ne pas faire fonctionner un moteur en dessous de 900 m (3 000 pi) s'il est équipé d'un nécessaire pour altitude. Cela peut provoquer des dommages graves du moteur.
2. Les moteurs qui ont été équipés d'un nécessaire pour altitude ne doivent être utilisés qu'aux altitudes pour lesquelles le nécessaire est conçu. Une utilisation sans le nécessaire pour altitude qui convient à des altitudes de plus de 900 m (3 000 pi) peut entraîner une baisse de rendement du moteur, une consommation accrue de carburant et une augmentation des émissions du moteur.
3. Il est déconseillé de faire fonctionner le moteur à des altitudes supérieures à 2 400 mètres (8 000 pi). Cela a un effet négatif sur le fonctionnement du moteur.
4. Pour plus de renseignements sur l'obtention d'un nécessaire pour altitude, visiter [www.GetEarthquake.com](http://www.GetEarthquake.com) et se servir des vues éclatées pour obtenir les références de pièces correctes. L'installation des nécessaires pour altitude doit impérativement être effectuée par un centre de réparation Viper agréé.



# **VIPER<sup>®</sup>**

## **ENGINES**

**ARDISAM, INC.**  
1160 Eighth Avenue  
PO Box 755  
Cumberland, WI 54829 États-Unis

Phone: (800) 345-6007  
Téléphone : (800) 345-6007  
Fax: (715) 822-2124  
Télécopieur : (715) 822-2124  
[www.Ardisam.com](http://www.Ardisam.com)