

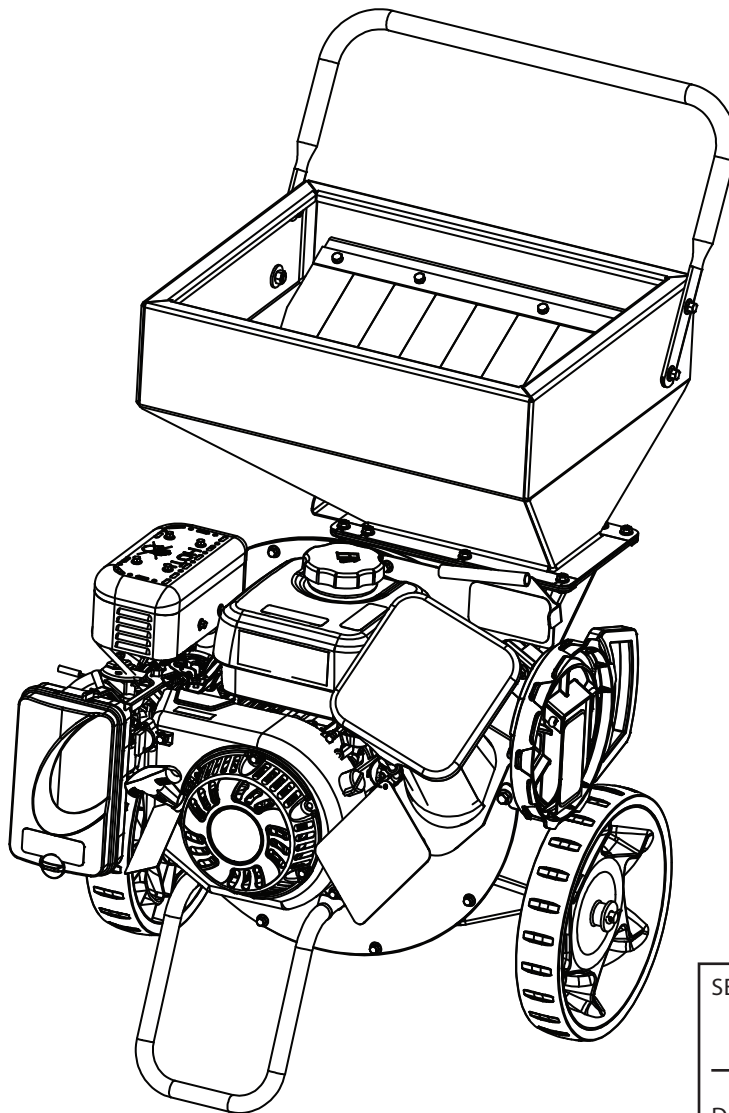
Operator Manual

**CHIPPER SHREDDER**

Model #'s: 33968, 33964

ENGLISH

FRANÇAIS - PAGE 25



SERIAL NO.  
\_\_\_\_\_  
DATE OF PURCHASE:  
\_\_\_\_\_

THIS INSTRUCTION BOOKLET CONTAINS **IMPORTANT** SAFETY INFORMATION. PLEASE READ AND KEEP FOR FUTURE REFERENCE.

Get parts or technical assistance online at [www.GetEarthquake.com](http://www.GetEarthquake.com) or call (800) 345-6007

© 2020 Ardisam  
All Rights Reserved

P/N: 36640  
ECN: 12913  
REV 1: 04/16/2020



**STOP! ACTIVATE YOUR WARRANTY BEFORE USE**

All products must be registered *within 30 days* from the date of purchase in order to be covered under warranty. For more information regarding Warranty and Registration please review the Warranty and Registration terms and conditions expressed in the warranty insert.

**INTRODUCTION**

Thank you for purchasing your product from Earthquake®. We have worked to ensure that this product meets the highest standards for usability and durability. With proper care, your purchase will provide many years of service.

Please read this entire manual before installation and use. Earthquake® reserves the right to change, alter or improve the product and this document at any time without prior notice. Due to continuous product improvements, product images may not be exact. Some assembly may be required.

Read and keep this manual for future reference. This manual contains important information regarding safety, assembly, operation and maintenance. The owner must be certain that all the product information is included with the unit. This information includes the manual, the replacement parts and the warranties. This information must be included to make sure state laws and other laws are followed. All persons to whom rent/loan this unit must have access to and understand this information. This manual should remain with the product even if it is resold.

**CONTENTS**

Introduction/Contents ..... 2

Bolt Identification Chart..... 3

Warnings and Safety Precautions..... 4-9

Features and Controls.....10

Specifications.....11

Unpacking and Assembly ..... 12-14

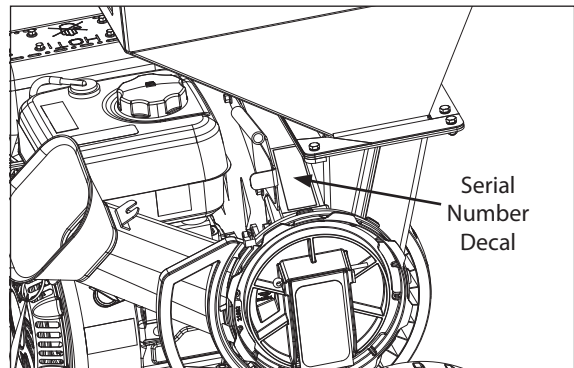
Operation ..... 15-16

Maintenance and Storage..... 17-19

Troubleshooting and Repair..... 20-22

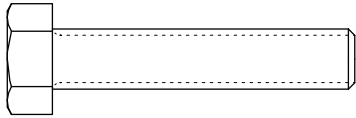
**REGISTRATION AND SERVICE**

Record the product model number and serial number in the space provided for easy reference when ordering parts or requesting technical support. Excluding emissions-related warranty items, the warranty is valid only if the completed registration is received by Ardisam within 30 days of purchase. You can register your warranty online by visiting [www. GetEarthquake.com](http://www.GetEarthquake.com), or by mailing it to: Ardisam, 1160 8th Avenue, Cumberland, WI 54829. You may also call our Customer Service department at (800) 345-6007 Mondays through Fridays from 8 a.m. to 5 p.m. CST.

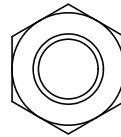


**BOLT IDENTIFICATION CHART**

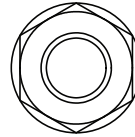
Bolts shown are for size reference only. Extra hardware may be included in the parts bag.



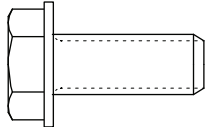
(A)  
M8 x 40 MM Bolt  
Qty 4



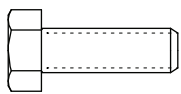
(G)  
M8 Nut  
Qty 8



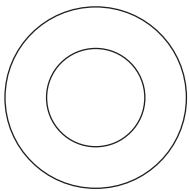
(H)  
M8 Nyloc Nut  
Qty 3



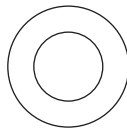
(B)  
M8 x 20 MM Flange Bolt  
Qty 4



(C)  
M6 x 16 MM Bolt  
Qty 3

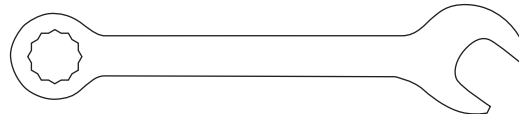


(D)  
12 X 24 MM Washer  
Qty 2

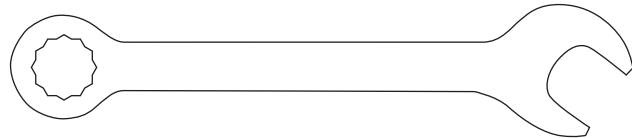


(E)  
M8 Washer  
Qty 12

**TOOLS NEEDED - NOT INCLUDED**



8 MM Wrench - Qty 1



10 MM Wrench - Qty 1

## WARNINGS AND SAFETY PRECAUTIONS

### OWNER'S RESPONSIBILITY

Accurate assembly and safe and effective use of the machine is the owner's responsibility.

- Read and follow all safety instructions.
- Carefully follow all assembly instructions.
- Maintain the machine according to directions and schedule included in this Earthquake® operator manual.
- Ensure that anyone who uses the machine is familiar with all controls and safety precautions.

### SPECIAL MESSAGES

Your manual contains special messages to bring attention to potential safety concerns, machine damage as well as helpful operating and servicing information. Please read all the information carefully to avoid injury and machine damage.

**NOTE:** *General information is given throughout the manual that may help the operator in the operation or service of the machine.*

- ⚠ This symbol points out important safety instructions which if not followed could endanger your personal safety. Read and follow all instructions in this manual before attempting to operate this equipment.

### BEFORE OPERATING EQUIPMENT:

**Please read this section carefully.** Read entire operating and maintenance instructions for this product. Failure to follow instructions could result in serious injury or death. Operate the machine according to the safety instructions outlined here and inserted throughout the text. Anyone who uses this machine must read the instructions and be familiar with the controls.

### NOTICE

NOTICE INDICATES YOUR EQUIPMENT CAN BE DAMAGED IF THE SAFETY INSTRUCTIONS THAT FOLLOW THIS SIGNAL WORD ARE NOT OBEYED.

### IMPORTANT

IMPORTANT INDICATES HELPFUL INFORMATION FOR PROPER ASSEMBLY, OPERATION OR MAINTENANCE OF YOUR EQUIPMENT.

### ⚠ CAUTION

⚠ CAUTION INDICATES A HAZARD WHICH, IF NOT AVOIDED, COULD RESULT IN PERSONAL INJURY AND/OR PROPERTY DAMAGE.

### ⚠ WARNING

⚠ WARNING INDICATES A HAZARD WHICH, IF NOT AVOIDED, COULD RESULT IN DEATH OR SERIOUS INJURY AND/OR PROPERTY DAMAGE.

### ⚠ DANGER

⚠ DANGER INDICATES A HAZARD WHICH, IF NOT AVOIDED, CERTAINLY WILL RESULT IN DEATH OR SERIOUS INJURY AND/OR PROPERTY DAMAGE.

### ⚠ WARNING

⚠ YOU MUST READ, UNDERSTAND AND COMPLY WITH ALL SAFETY AND OPERATING INSTRUCTIONS IN THIS MANUAL BEFORE ATTEMPTING TO SETUP AND OPERATE YOUR MACHINE.

⚠ FAILURE TO COMPLY WITH ALL SAFETY AND OPERATING INSTRUCTIONS CAN RESULT IN LOSS OF MACHINE CONTROL, SERIOUS PERSONAL INJURY TO YOU AND/OR BYSTANDERS, AND RISK OF EQUIPMENT AND PROPERTY DAMAGE. THE TRIANGLE IN THE TEXT SIGNIFIES IMPORTANT CAUTIONS OR WARNINGS WHICH MUST BE FOLLOWED.

## GENERAL OPERATING SAFETY

- Read the operating and service instruction manual carefully. Be thoroughly familiar with the controls and the proper use of the equipment. Know how to stop the unit and disengage the controls quickly.
- Do not operate the equipment without wearing adequate outer garments and safety goggles. Avoid loose-fitting clothes and use protective footwear that will improve footing on slippery surfaces.
- Dress appropriately when operating the chipper shredder. Always wear sturdy footwear and safety goggles. Never wear sandals, sneakers or open-toed shoes, and never operate the chipper shredder with bare feet. Do not wear loose clothing that might get caught in moving parts.
- Never allow children to operate the equipment. Never allow adults to operate the equipment without proper instruction.
- Only allow responsible adults, who are familiar with the instructions, to operate the unit (local regulations can restrict operator age).
- Keep the area of operation clear of all persons, particularly small children and pets.
- Always maintain secure footing and solid balance while starting or operating the chipper shredder. Never lean directly over the machine.
- Never operate the machine at high transport speeds on hard or slippery surfaces.
- Operate the machine only in daylight or good artificial light.
- Do not operate the unit while under the influence of alcohol or drugs.
- Exercise caution to avoid slipping or falling.
- Always wear eye and hearing protection when operating this unit.
- Keep in mind the operator is responsible for accidents occurring to other people or property.
- Never operate the machine without proper guards, plates, or other safety protective devices in place.
- Do not put hands or feet near or under rotating parts or at inlet or discharge openings.
- Thoroughly inspect where equipment is to be used and remove all foreign objects.

### DANGER

- ⚠ THE CHIPPER SHREDDER HAS SPINNING BLADES THAT CAN AMPUTATE HANDS AND FEET. DO NOT PLACE HANDS OR FEET IN THE HOPPER OR CHIPPER CONE, OR DISCHARGE CHUTE.

### WARNING

- ⚠ COMBUSTIBLE DEBRIS CAN CATCH FIRE. IT IS A VIOLATION OF CALIFORNIA PUBLIC RESOURCE CODE, SECTION 4442, TO USE OR OPERATE ENGINE-POWERED PRODUCTS ON ANY FOREST-COVERED, BRUSH-COVERED, OR GRASS-COVERED LAND UNLESS THE EXHAUST SYSTEM IS EQUIPPED WITH A SPARK ARRESTER, AS DEFINED IN SECTION 4442, MAINTAINED IN EFFECTIVE WORKING ORDER. OTHER STATES OR FEDERAL JURISDICTIONS MAY HAVE SIMILAR LAWS. CONTACT THE ORIGINAL EQUIPMENT MANUFACTURER, RETAILER, OR DEALER TO OBTAIN A SPARK ARRESTER DESIGNED FOR USE WITH THIS PRODUCT.

### WARNING

- ⚠ THIS UNIT DISCHARGES DEBRIS AT HIGH SPEEDS. ALWAYS WEAR PROTECTIVE GOGGLES AND DO NOT OPERATE WITHOUT THE DEBRIS BAG IN PLACE.
- ⚠ DO NOT ALLOW ANYONE IN THE AREA WHILE THE UNIT IS RUNNING. IF SOMEONE DOES ENTER THE AREA, SHUT THE UNIT OFF IMMEDIATELY UNTIL THEY LEAVE. ORGANIZE THE WORK AREA PRIOR TO STARTING WORK.

- Exercise extreme caution when operating on or crossing gravel drives, walks or roads. Stay alert for hidden hazards or traffic.
- Never allow bystanders near the unit while running.
- Do not put hands or feet near rotating parts or under the machine. Keep clear of the discharge opening at all times.
- Always operate the chipper shredder outdoors, on a firm, level, earthen or grassy surface where the unit will be stable and stay in position. Never attempt to operate the unit on a slope, or on a wet or slippery surface where you could slip and fall toward the chipper cone or hopper openings.
- If the machine should start to vibrate abnormally, stop the engine (motor) and check immediately for the cause. Vibration is generally a warning sign of trouble.

- Do not operate without the debris bag in place because this unit discharges debris at high speeds. If the unit is operated on hard ground, asphalt, concrete, or other hard surfaces without the collection bag in place. Material can ricochet off of the hard surface and cause an unsafe condition for users and bystanders.
- Always obey the size limitations for tree limbs and branches stated in the Waste Materials Guide portion of this manual.
- Never leave the machine running unattended. Always turn off the engine, wait for the rotor to come to a complete stop, and disconnect the spark plug before leaving the area. Always move the unit to a safe storage area when not in use.
- Never direct discharge material toward anyone. Avoid discharging material against a wall or obstruction. Material may ricochet back toward the operator.
- Always stand to the side of the chipper cone when feeding tree limbs and branches into the unit, as tree limbs, branches, and harder woods may kick back while being chipped.
- Always keep hands out of the chipper cone and shredder hopper when feeding materials. Never wrap fingers tightly around branches as you are feeding them into the unit, as a sudden inward surge could pull your hands and arms into the unit.
- Never allow material to build up in the discharge area or shredding chamber, as this may cause new material being fed into the machine to kickback with sufficient force to injure you or other bystanders.
- Never allow material to build up around the engine during chipper shredder operation. This could result in a fire, or overheating of the engine.
- Take all possible precautions as recommended by the manufacturer when leaving the machine unattended.
- Do not overload the machine by attempting to chip or shred any material beyond manufacturers recommendations.
- Use extreme caution when reversing or pulling the machine towards you.
- Do not change the engine governor settings or overspeed the engine.
- Never attempt to reposition or move the chipper shredder unit while it is running. Doing so could cause the machine to tip over, and reaching to steady the unit could result in accidental insertion of your hands into the chipper cone or shredder hopper areas.
- Never continue to operate the machine if it starts making unusual noise or vibration. Shut the engine off immediately, allow the rotor to stop, disconnect the spark plug wire and secure the wire away from the spark plug. Inspect the unit for any signs of damage or foreign material in the chipping or shredding areas. Remove any solid material that may be preventing the unit from operating properly.
- Never attempt to clear clogs from the chipper cone, shredder hopper or discharge chute while the unit is running. Always shut the engine off, allow the rotor to come to a complete stop, and remove the spark plug wire from the spark plug before removing excess materials.
- Never attempt to perform any maintenance, repairs, or attachment of accessories while the unit is running. Always shut the unit off, allow the rotor to come to a complete stop, and remove the spark plug wire from the spark plug before beginning these activities.
- Always make sure that the shredding chamber, shredder hopper, and chipper cone are empty before starting the unit after it has been idle. Attempting to start the unit with material in these areas could cause the engine starting cord to stop suddenly, injuring your hand and fingers, or toppling the unit over. Vibration is generally a warning sign of trouble.
- Use only attachments and accessories approved of by the manufacturer of the machine.
- Make sure chipper shredder is free of debris before starting the engine.
- Never attempt to make any adjustments while the engine is running.
- After striking a foreign object, stop the engine (motor), remove spark plug wire, and wait for all moving parts to come to a complete stop. Thoroughly inspect the machine for any damage, repair the damage before restarting and operating the machine.
- Start the engine or switch on the motor carefully according to the manufacturers instructions. Keep hands and feet away from inlet and discharge areas.
- Never pick up or carry the machine while the engine is running.

## ENGINE SPECIFIC SAFETY

- Before cleaning, repairing, or inspecting, shut off the engine and make certain that all moving parts have come to a complete stop. Disconnect the spark plug wire and secure the wire away from the spark plug to prevent accidental starting.
- Stop the engine (motor) when leaving the operating position and when making any repairs, adjustments and inspections.

## MAINTENANCE AND STORAGE

- Keep machine, attachments, and accessories in safe working condition.
- Check engine mounting bolts and other hardware at frequent intervals for proper tightness to be sure the equipment is in safe working condition.
- Never store machine with fuel in the fuel tank inside a building where ignition sources are present, such as hot water and space heaters, clothes dryers and the like. Allow the engine to cool before storing in any enclosure.
- Always refer to the operator manual for important details if the machine is to be stored for an extended period.
- If the fuel tank has to be drained, do this outdoors.
- Follow the manufacturer's recommendations for safe loading, unloading and storage of machine.

## PREVENTING CARBON MONOXIDE POISONING

- Always start and run engine outdoors. Do not start or run engine in an enclosed area, even if doors or windows are open.
- Never try to ventilate engine exhaust indoors. Carbon monoxide can reach dangerous levels very quickly.
- Never run engine outdoors where exhaust fumes may be pulled into a building.
- Never run engine outdoors in a poorly ventilated area where the exhaust fumes may be trapped and not easily taken away. (Examples include: in a large hole or areas where hills surround your working area.)
- Never run engine in an enclosed or partially enclosed area. (Examples include: buildings that are enclosed on one or more sides, under tents, car ports or basements.)
- Always run the engine with the exhaust and muffler pointed in the direction away from the operator.



### WARNING

- ⚠ **ENGINE GIVES OFF CARBON MONOXIDE, AN ODORLESS, COLORLESS, POISON GAS. CARBON MONOXIDE MAY BE PRESENT EVEN IF YOU DO NOT SMELL OR SEE ANY ENGINE EXHAUST. BREATHING CARBON MONOXIDE CAN CAUSE NAUSEA, FAINTING OR DEATH, IN ADDITION TO DROWSINESS, DIZZINESS AND CONFUSION. IF YOU EXPERIENCE ANY OF THESE SYMPTOMS, SEEK FRESH AIR AND MEDICAL ATTENTION IMMEDIATELY.**
- ⚠ **IF YOUR MACHINE COMES WITH A SEPARATE ENGINE MANUAL, BE SURE TO READ AND FOLLOW ALL SAFETY AND WARNING PRECAUTIONS OUTLINED THERE, IN ADDITION TO ANY IN THIS MANUAL.**



### WARNING

- ⚠ **FUEL IS HIGHLY FLAMMABLE. TAKE THE FOLLOWING PRECAUTIONS:**
  - STORE FUEL IN CONTAINERS SPECIFICALLY DESIGNED FOR THIS PURPOSE.
  - REFUEL OUTDOORS ONLY AND DO NOT SMOKE WHILE REFUELING.
  - ADD FUEL BEFORE STARTING THE ENGINE. NEVER REMOVE THE CAP ON THE FUEL TANK OR ADD FUEL WHILE THE ENGINE IS RUNNING OR WHEN THE ENGINE IS HOT.
  - IF FUEL IS SPILLED, DO NOT ATTEMPT TO START THE ENGINE BUT MOVE THE MACHINE AWAY FROM THE AREA OF SPILLAGE AND AVOID CREATING ANY SOURCE OF IGNITION UNTIL FUEL VAPORS HAVE DISAPPEARED.
  - REPLACE ALL FUEL TANK AND CONTAINER CAPS SECURELY.

- Never point the exhaust muffler towards anyone. People should always be many feet away from the operation of the engine and its attachments.
- Do not change the engine governor settings or over-speed the engine.
- Do not operate the engine in a confined space where dangerous carbon monoxide fumes can collect.

### GASOLINE FIRES AND HANDLING FUEL SAFELY

- Use extra care in handling gasoline and other fuels. They are flammable and vapors are explosive.
- When storing extra fuel be sure that it is in an appropriate container and away from any fire hazards.

- Prevent fire and explosion caused by static electric discharge. Use only nonmetal, portable fuel containers approved by the Underwriter's Laboratory (U.L.) or the American Society for Testing & Materials (ASTM).
- Always fill fuel tank outside in a well ventilated area. Never fill your fuel tank with fuel indoors. (Examples include: basement, garage, barn, shed, house, porch, etc.) Never fill tank near appliances with pilot lights, heaters, or other ignition sources. If the fuel has to be drained, this should be done outdoors. The drained fuel should be stored in a container specifically designed for fuel storage or it should be disposed of carefully.
- Never remove the fuel cap or add fuel with the engine running. Stop engine and allow to cool before filling.
- Do not smoke while refueling or operating engine.
- Never drain fuel from the engine in an enclosed area.
- Always wipe up excess (spilled) fuel from engine before starting. Clean up spilled fuel immediately. If fuel is spilled, do not start the engine but move machine and fuel container from area. Clean up spilled fuel and allow to evaporate and dry after wiping and before starting.
- Allow fuel fumes/vapors to escape from the area before starting engine.
- Test the fuel cap for proper installation before starting and using engine.
- Always run the engine with fuel cap properly installed on the engine.
- During storage, keep machine so gas cap is facing up.
- Never siphon fuel by mouth to drain fuel tank.
- Always have an adult fill the fuel tank and never allow children to fill the engine.
- Never allow an adult or anyone under the influence of drugs or alcohol to fill engine.
- When storing gasoline or equipment with fuel in the tank, store away from furnaces, stoves, water heaters or other appliances that have a pilot light or other ignition source because they can ignite gasoline vapors.
- Never fill containers inside a vehicle or on a truck bed with a plastic bed liner. Always place containers on the ground away from your vehicle before filling.
- Remove gas-powered equipment from the truck or trailer and refuel it on the ground. If this is not possible, then re-

fuel such equipment on a trailer with a portable container, rather than from a gasoline dispenser nozzle.

### **BURNS AND FIRES**

- The muffler, muffler guard and other parts of the engine become extremely hot during the operation of the engine. These parts remain extremely hot after the engine has stopped.

### **PREVENTION OF BURNS AND FIRES**

- Never remove the muffler guard from the engine.
- Never touch the muffler guard because it is extremely hot and will cause severe burns.
- Never touch parts of the engine that become hot after operation.
- Always keep materials and debris away from muffler guard and other hot parts of the engine to avoid fires.

### **CHILDREN AND BYSTANDERS**

- Tragic accidents can occur if the operator is not alert to the presence of children and/or bystanders. Never assume that others will remain where you last saw them.
- Keep the area of operation clear of all persons, especially small children and pets. Keep children under the watchful care of a responsible adult.
- Be alert and turn the machine off if children enter the area.
- Before and while moving backwards, look behind and down for small children.
- Never allow children to operate the machine





- A: Warning!
- B: Read Operator Manual Before Operating Machine.
- C: Do Not Operate While Others Are Around.
- D: Remove Objects that Could Be Thrown By This Machine.
- E: Never Operate Machine Up and Down Slopes, ALWAYS Operate Mower Across Slopes.
- F: Beware of Moving and Rotating Parts.
- G: Wear Ear and Eye Protection At All Times.
- H: Do Not Service or Adjust Moving Parts Unless Engine is Stopped and Spark Plug Wire is Disconnected.
- I: Direction of Rotating Mower Lines.
- J: Toxic Fumes—Do Not Operate in Unventilated Areas.
- K: Hot Surfaces.
- L: Fire Hazards.
- M: Do Not Use In Thunderstorms--For severe weather, stop operation of this machine and seek shelter.
- N: Team Lift--For your safety, always have at least two people when lifting this machine.
- O: Never Fit Metal Cutting Parts--Do not attach any metal parts to the cutting head of this machine.
- P: Do Not Operate When Children Or Others Are Around.

## SAFETY DECALS

This unit has been designed and manufactured to provide you with the safety and reliability you would expect from an industry leader in outdoor power equipment manufacturing.

Although reading this manual and the safety instructions it contains will provide you with the necessary basic knowledge to operate this equipment safely and effectively, we have placed several safety labels on the unit to remind you of this important information while you are operating your unit.

All DANGER, WARNING, CAUTION and instructional messages on your unit should be carefully read and obeyed. Personal bodily injury can result when these instructions are not followed. The information is for your safety and it is important! The safety decals below are on your unit.

If any of these decals are lost or damaged, replace them at once. See your local dealer or contact Earthquake directly for replacements.

These labels are easily applied and will act as a constant visual reminder to you, and others who may use the equipment, to follow the safety instructions necessary for safe, effective operation.

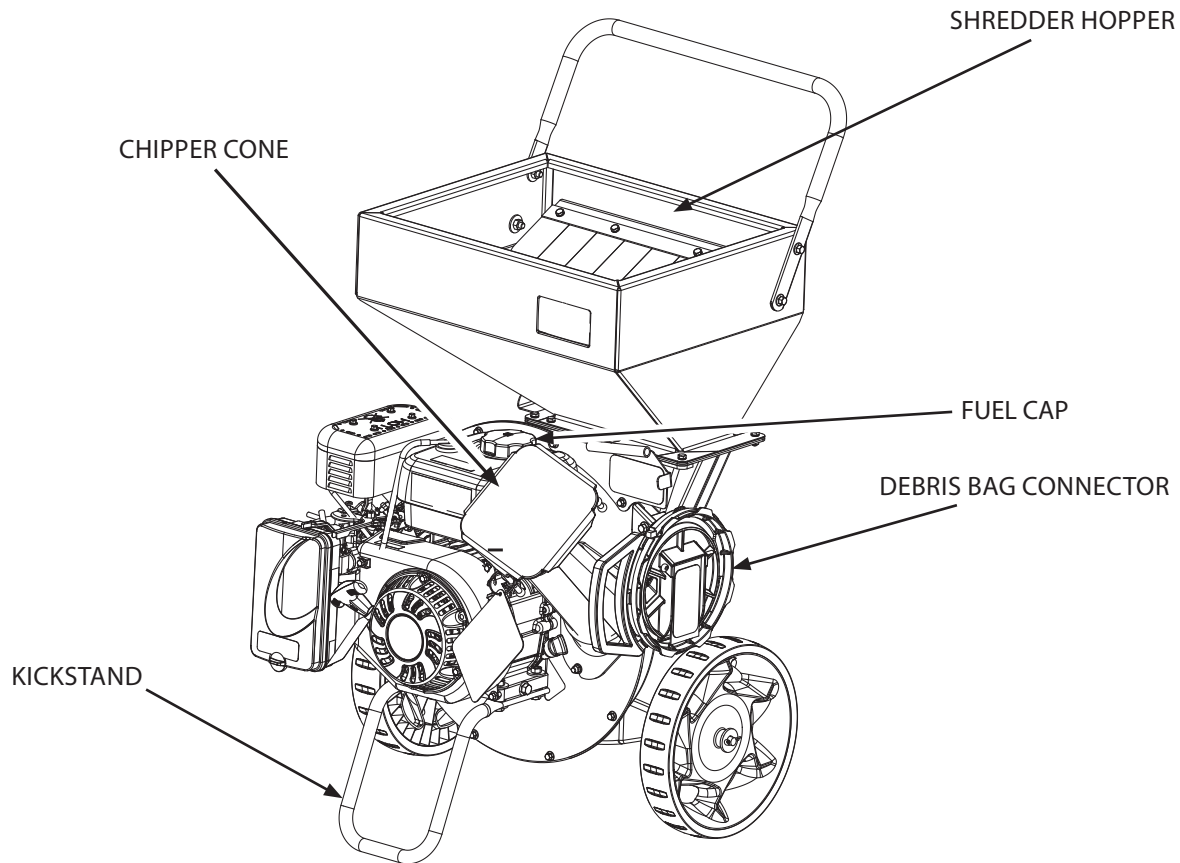


## FEATURES AND CONTROLS

### CONTROL FUNCTIONS

The information below briefly describes the function of individual controls. Operating requires the combined use of several controls applied in specific sequences. To learn what combination and sequence of controls to use for various tasks see the OPERATION section.

\*For engine features and controls see engine manual.



### CHIPPER CONE/SHREDDER HOPPER

**Chipper Cone:** The chipper cone is located on the front of the unit next to the engine. Insert branches and tree limbs up to approximately 3" (7.6 cm) in diameter into the chipper cone. NEVER insert hands past the mouth of the cone.

**Shredder Hopper:** The shredder hopper is on top of the unit. Leaves and other light waste can be loaded into the shredder hopper. Nothing over 1/2 inch in diameter should go into shredder. NEVER insert hands into the hopper.

**Debris Bag:** Use the debris bag to collect the material discharged from the unit. Do not operate the unit without the debris bag in place.

## SPECIFICATIONS

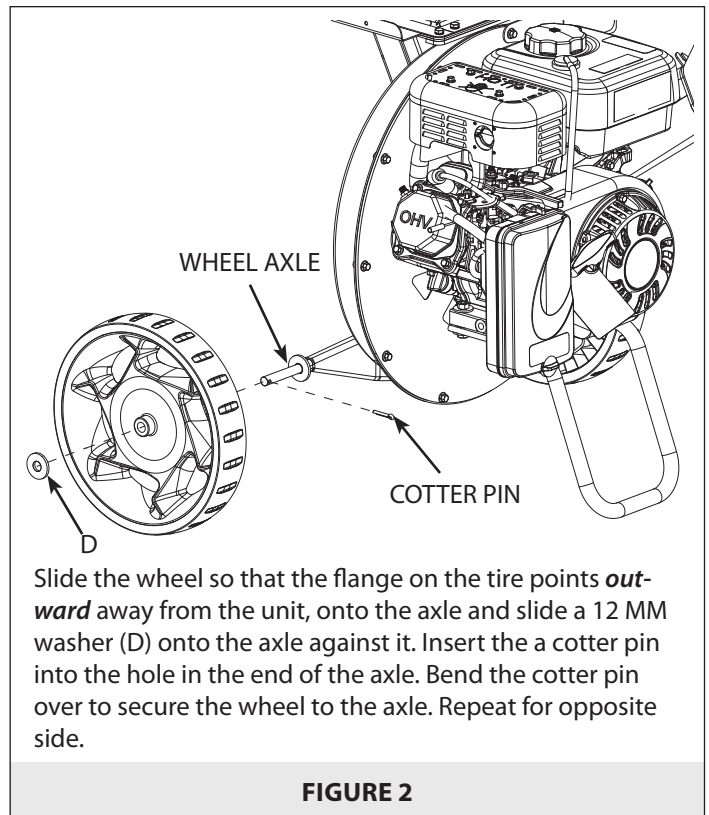
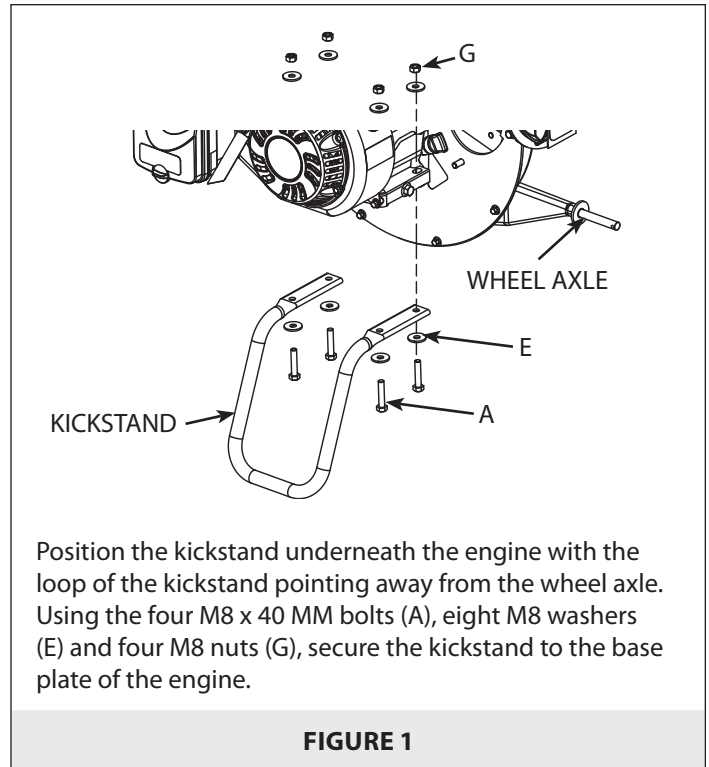
<i>Model #</i>	<b>33968</b>	<b>33964</b>
<i>Chipping Capacity</i>	Approx. 3"	Approx. 3"
<i>Shredding Capacity</i>	1/2" x 18" long	1/2" x 18" long
<i>Chipping Knives</i>	2	2
<i>Shredding Hammers</i>	2 J-Hammers, 2 Triangle-Hammers	2 J-Hammers, 2 Triangle-Hammers
<i>Waste Reduction Ratio</i>	20:1	20:1
<i>Start Type</i>	Recoil	Recoil
<i>Rotor Material</i>	Steel	Steel
<i>Hopper Dimensions</i>	16.75" x 13.25"	16.75" x 13.25"
<i>Bag Dimensions</i>	24" x 36"	24" x 36"
<i>Limb Chute</i>	Yes	Yes
<i>Tire Diameter</i>	11"	11"
<i>Tire Width</i>	2"	2"
<i>Tire Material</i>	Rubber	Rubber
<i>Wheel Type</i>	Non-pneumatic	Non-pneumatic
<i>Net Weight</i>	121 lb	145 lb
<i>Gross Weight</i>	131 lb	155 lb
<i>Assembled Dimensions</i>	25.7" x 24.0" x 42.0"	25.4" x 29.9" x 51.9"
<i>Boxed Dimensions</i>	32.2" x 23.9" x 23.1"	32.2" x 24.6" x 24.6"
<i>Vacuum Kit</i>	Yes	Yes
<i>Vacuum Measurement</i>	20" of Water	20" of Water
<i>Vacuum Air Gate</i>	Yes	Yes
<i>Rotor Diameter</i>	14"	14"
<i>Quick Attach Bag System</i>	Yes	Yes
<i>ANSI</i>	Yes	Yes

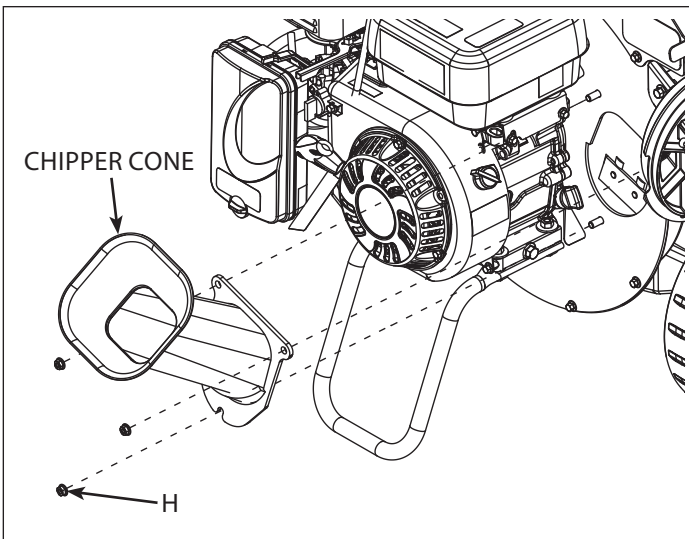
## UNPACKING AND ASSEMBLY

### CARTON CONTENTS

#### ASSEMBLY

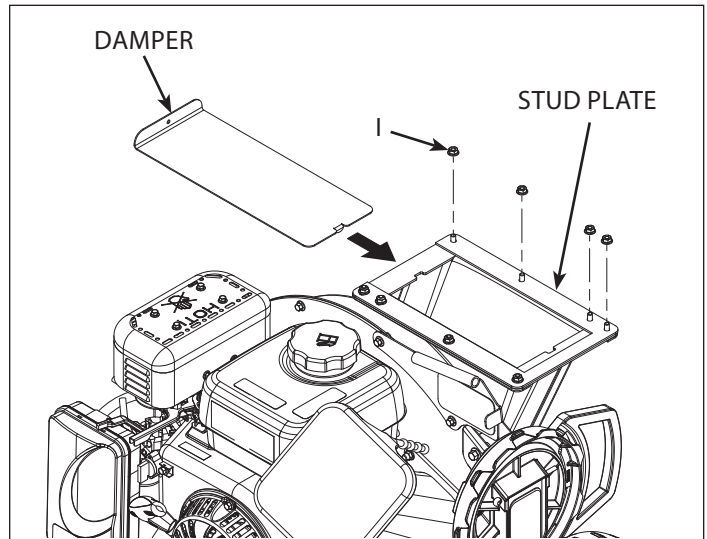
- Manual Parts Bag
  - Hardware Parts Bag:
    - A - (4) M8 x 40 MM Bolts (for 33968)
    - (4) M10 x 50 MM Bolts (for 33964)
    - B - (4) M8 x 20 MM Bolts
    - D - (2) 12 x 24 MM Washers
    - E - (12) M8 Washers (for 33968)
    - (4) M8 Washers (for 33964)
    - (8) M10 Washers (for 33964)
    - G - (8) M8 Nuts (for 33968)
    - (4) M8 Nuts (for 33964)
    - (4) M10 Nuts (for 33964)
    - H - (3) M8 Nyloc Nuts
    - I - (8) M6 Nuts (Installed on stud plates)
- Cone Cover
- Debris Bag
- (2) Wheels
- Hopper
- Bag Connector
- Bottle of 4-cycle Engine Oil
- Cone
- Chipper Assembly
- Handlebar
- Kickstand
- Hopper Guard
- Bag Support Rod





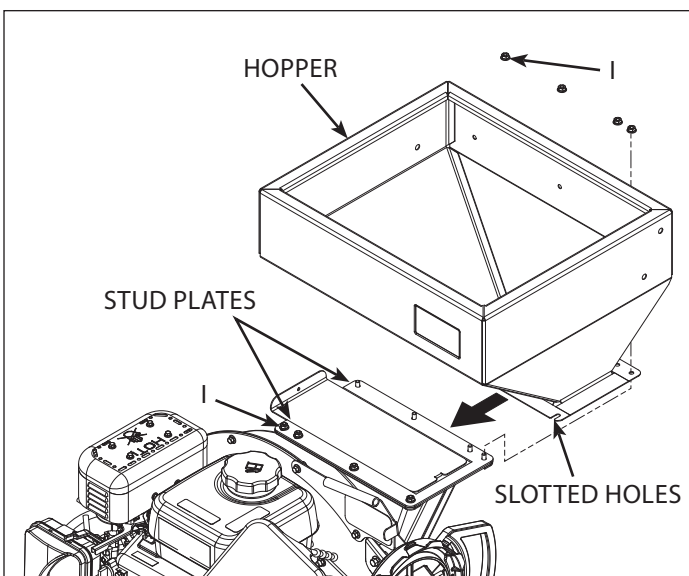
Position the chipper cone over the three M8 x1.25 threaded studs protruding from the engine plate, and attach using three M8 nyloc nuts (H). Rotate cone and cone base away from engine so cone does not contact engine. Tighten the three M8 nyloc nuts (H) securely.

FIGURE 3



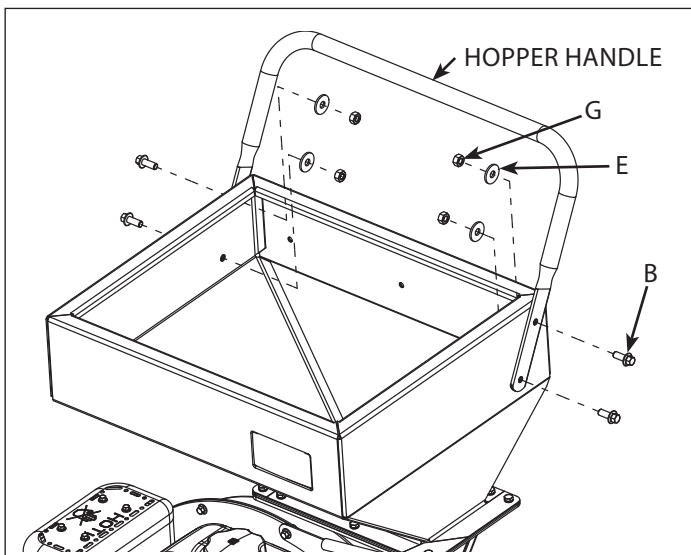
Remove back four M6 nuts (I) and set nuts and rear stud plate aside. Loosen front four M6 nuts (I). **Note: These will not need to be removed.** Install the damper between the stud plates as shown.

FIGURE 4



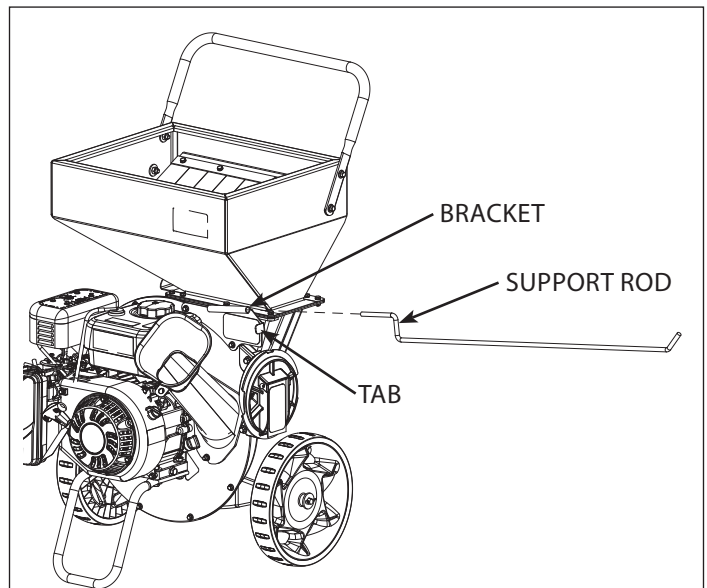
Install hopper by sliding slotted holes on the front side of hopper onto the four studs on the front stud plate with the previously loosened four M6 nuts (I). Reinstall rear stud plate and back four M6 nuts (I) that were previously removed in Figure 4. Tighten all eight M6 nuts (I).

FIGURE 5



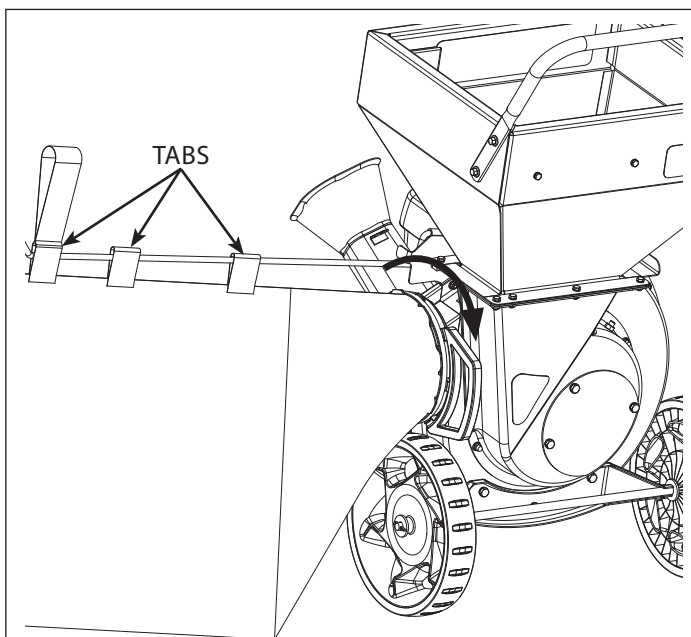
Hold the hopper handle up so that the outer holes in the handle align with the holes in the hopper and secure with four M8 x 20 MM bolts (B), four M8 washers (E) and four M8 nuts (G). Insert the screws from the outside of the hopper.

**FIGURE 6**



Slide the support rod into the bracket. Rotate the rod so that it sits below the front tab of the bracket.

**FIGURE 7**



Slide the tabs on the debris bag onto the support rod. Secure the bag connector onto the chipper by rotating the connector until locked in.

**FIGURE 8**

## OPERATION

Be sure to read all information in the Safety and Operation section before attempting to operate this unit. Become familiar with all of the controls and how to stop the unit.

Check all hardware (bolts, screws, etc) before every use for tightness to be sure machine is in safe working condition.

Upon start-up and shut-down, you may hear the metal-to-metal sound of the triangular hammers and J-hammers positioning themselves on the rotor. This is normal. If this sound continues after the machine has reached full speed, contact your dealer or Earthquake for an inspection of the unit. Overloading the equipment will shorten its life, and can cause mechanical failures.

### CHIPPER OPERATION

The chipper is designed to handle tree limbs and branches up to approximately 3" (7.6 cm) in diameter. The chipping knives also permit the processing of course organic matter like corn stalks. Tree branches must be inserted large-end first into the chipper cone. Since occasional kick-backs may occur, always stand off to the side of the unit. Allow the self-feeding action of the unit to draw the sticks in.

### SHREDDER OPERATION

The shredder is designed to shred light brush, leaves, and other soft but bulky organic waste. As material (no larger than 1/2 inch in diameter) is loaded into the shredder hopper it is pulled into the path of the triangular and J-hammers by air flow.

### OPERATING LOCATION

Select an area with firm, level ground, covered by dirt or grass. Do not operate on wet or slick surfaces, or near bystanders. Locate and organize the materials to be processed so that you don't have to walk in front of the inlet or discharge openings, and so you have adequate room to work safely.

### ADDING OIL

Refer to engine manual for information on adding oil.

### ADDING FUEL

1. Remove the fuel cap. (*See Features and Controls*)
2. Fill the tank. Do not overfill. Leave room in the tank for fuel expansion. Refer to your engine manual for specific fuel recommendations.



## DANGER

- ⚠ THE EXHAUST FROM THIS PRODUCT CONTAINS CARBON MONOXIDE GAS. CARBON MONOXIDE IS A COLORLESS, ODORLESS AND TASTELESS GAS THAT CAN CAUSE DIZZINESS, NAUSEA, UNCONSCIOUSNESS OR EVEN BRAIN DAMAGE AND DEATH IF INHALED FOR PROLONGED PERIODS.
- ⚠ OPERATE THE UNIT OUTDOORS IN A WELL VENTILATED LOCATION ONLY. KEEP CHILDREN, PETS AND BYSTANDERS AWAY.



## WARNING

- ⚠ TO AVOID SERIOUS PERSONAL INJURY FROM ROTATING CUTTING BLADES, KEEP HANDS OUT OF INLET WHILE MACHINE IS RUNNING.
- ⚠ GASOLINE IS HIGHLY FLAMMABLE AND MUST BE HANDLED WITH CARE. NEVER FILL THE TANK WHEN THE ENGINE IS STILL HOT FROM RECENT OPERATION. DO NOT ALLOW OPEN FLAME, SMOKING OR MATCHES IN THE AREA. AVOID OVER-FILLING AND WIPE UP ANY SPILLS.
- ⚠ DO NOT USE GASOLINE CONTAINING METHANOL, GASOHOL CONTAINING MORE THAN 10% ETHANOL, GASOLINE ADDITIVES OR WHITE GAS BECAUSE ENGINE/ FUEL SYSTEM DAMAGE COULD RESULT.

## IMPORTANT

ENGINE IS SHIPPED FROM FACTORY WITHOUT OIL. YOU MUST ADD ENGINE OIL BEFORE STARTING ENGINE.

3. Install and hand tighten the fuel cap.

### STARTING THE ENGINE

1. See engine manual for start up instructions.
2. Ensure engine is running full throttle before beginning chipping operation. On some engines, the throttle may not be adjustable.

### STOPPING THE ENGINE

See engine manual for shut down procedure.

### PROCESSING MATERIALS

Most materials to be processed can be handled more efficiently by following these tips.

**CHIPPING TIPS:**

- Prune branches down close to the main branch to make feeding them into the chipper cone easier.
- Large, hard, dried tree branches that resist chipping can be processed by rotating them as you alternately insert and retract them.
- If the material to be chipped is extremely hard, kicks back forcefully when being fed into the chipper cone, or cannot be easily controlled, remove the material immediately and set it aside.
- If additional force is required to insert materials into the chipper, the blades probably need to be sharpened. Consult the Troubleshooting and Repair section of this manual, or see your authorized dealer.
- Maintain control of the materials you are feeding to prevent them from whipping around.
- Do not insert short pieces of material into the chipper cone by hand. Use a larger piece of material to feed them into the chipper cone.

**SHREDDING TIPS:**

- Don't overload the shredder by dumping large volumes of material into the hopper opening.
- Alternate loads of wet and dry material to prevent the discharge from becoming plugged.
- Never use any object to force material into the shredding chamber. It could get caught in the shredding hammers and damage the unit.

OPERATION	TYPE OF WASTE PERMITTED	SIZE LIMITATIONS	NOTES
Shredding	Dry or moist organic material including leaves, plants, flowers, fruits, or vegetables.	Branches and twigs up to 1/2" diameter and 18" long.	Alternately chip or shred moist green waste with dry waste to avoid plugging of the discharge chute. Process at a feeding rate that allows the rotor to keep up and maintain a high rate of speed.
Chipping	Long, thicker tree limbs or small bunches of smaller sticks grouped together for ease of handling.	Tree limbs and branches, or bundles of small sticks grouped for easier handling. Maximum diameter of approximately 3" (7.6 cm).	Bulky tree limbs should be pruned close to the main stem. Always use a shorter piece of wood to push end pieces into the chipper cone. Never place hands in the chipper cone. Never chip very hard or dry materials such as kiln dried dimensional lumber (2x4's etc.) or other building materials. Never use the chipper to process pressure-treated wood products.



## TRANSPORTING AND STORAGE

- Always observe safe refueling and fuel handling practices when refueling the unit after transportation or storage.
- Never store the unit (with fuel) in an enclosed, poorly ventilated structure. Fuel vapors can travel to an ignition source (such as a furnace, water heater, etc.) and cause an explosion. Fuel vapor is also toxic to humans and animals.
- Always use the hopper handle and built-in wheels to move the chipper shredder. Never lift the unit using the fuel tank for support. If the unit must be lifted, always use at least two people, and always grip the unit securely using the front leg and hopper handle.
- Always follow the engine manual instructions for storage preparations before storing the unit for both short and long term periods.
- Always follow the engine manual instructions for proper start-up procedures when returning the unit to service.
- Never store the unit or fuel container inside where there is an open flame or pilot light, such as in a water heater. Allow unit to cool before storing.

## STORAGE

Perform engine maintenance and storage measures listed in the engine owner's manual. This includes draining the fuel system, or adding stabilizer to the fuel.

**NOTE: Do not store a fueled unit in an enclosed structure. (See Gasoline Fires and Handling Fuel Safety)**

### BEFORE STARTING THE UNIT AFTER IT HAS BEEN STORED:

1. Check all fluid levels. Check all maintenance items.
2. Perform all recommended checks and procedures found in the engine manual.
3. Allow the engine to warm up for several minutes before use.



## WARNING

**⚠️ AMPUTATION HAZARD. TO AVOID SERIOUS INJURY FROM ACCIDENTAL STARTING, ALWAYS DISCONNECT THE SPARK PLUG WIRE AND SECURE IT AWAY FROM THE SPARK PLUG WHEN SERVICING THE UNIT.**

## MAINTENANCE

### SCHEDULE AND PROCEDURES

The following schedule should be followed for normal care of your unit.

SAFETY ITEMS	BEFORE EACH USE	EVERY 5 HOURS	EVERY 25 HOUR	SPRING & FALL
Check for loose hardware		x		x
Check all safety labels				x
CHIPPER MAINTENANCE ITEMS	BEFORE EACH USE	EVERY 5 HOURS	EVERY 25 HOURS	SPRING & FALL
Clean debris from engine and chipper. **	x			
Inspect/Rotate Shredding Hammers			x	
Inspect/Rotate Chipping Knives			x	

\*\* More often in hot (over 85° F: 30° C) weather or dusty operating conditions.

### ENGINE MAINTENANCE

Refer to the engine manual included in your parts packet for information on engine maintenance. Your engine manual provides information and a maintenance schedule for performing the following tasks:

1. Check oil level before each use or after every 8 hours of operation.
2. Change oil after first 5-8 hours of operation. Change oil while engine is warm. Refill with new oil of recommended grade.
4. Check spark plug seasonally or every 100 hours of operation.
5. Service air cleaner.
6. Keep engine and parts clean.
7. Check engine and equipment often for loose nuts and bolts, keep these items tightened.

## CHECK FOR LOOSE HARDWARE

*Service Interval: Every 5 hours; every spring and fall.*

Inspect the unit, checking for loose hardware or components. Pay special attention to the hardware attaching the chipper cone, hopper, axle, and front leg.

## CHECK SAFETY LABELS

*Service Interval: Every spring and fall.*

Check that the safety labels are in place and undamaged. Replace any damaged or missing decals.

## INSPECT CONE, HOPPER AND GUARDS

*Service Interval: Every spring and fall.*

Check that the chipper cone, shredder hopper, and discharge guards are in place, undamaged, and secure. Replace any damaged or missing parts.

## CLEAN DEBRIS FROM ENGINE AND CHIPPER

*Service Interval: Before each use and every 100 hours.*

The engine requires air flow to cool itself and for combustion. Before each use, clean any debris from the unit especially from around the air shroud intake, air filter, and muffler. Every 100 hours, remove the engine air shroud and clean out any debris from the engine cooling fins **SEE FIGURE 10**. We recommend having this service performed by an authorized repair center.

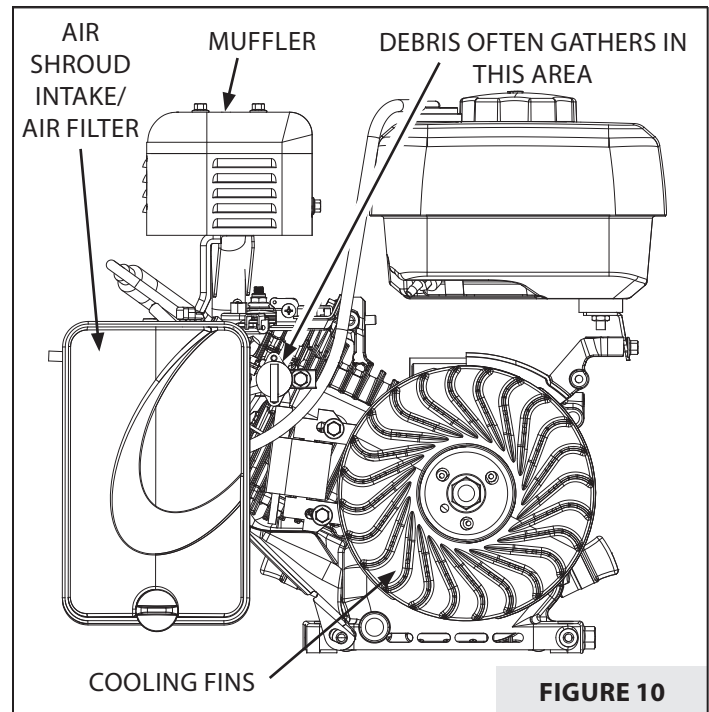
## INSPECT / ROTATE SHREDDING HAMMERS

*Service Interval: Every 25 Hours, or As Necessary*

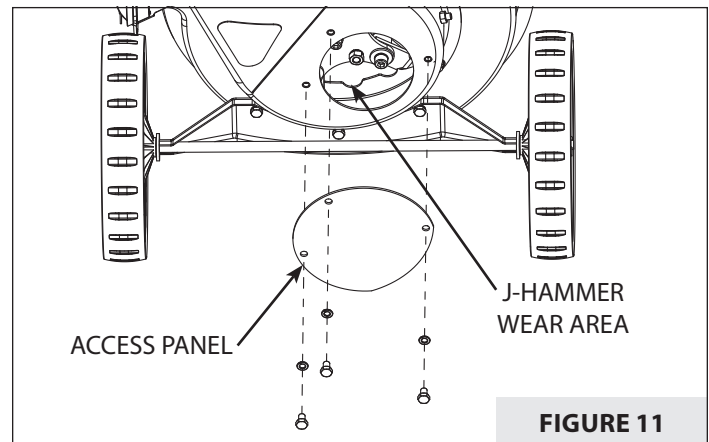
The shredding hammers of this unit can be rotated to provide a new cutting surface as required. The triangular hammers can be rotated twice, then flipped over for a total of 6 sharp cutting surfaces. The J-hammers can be flipped over once. To inspect the shredding hammers:

1. Disconnect the spark plug wire and secure it away from the spark plug. **SEE FIGURE 14** (on page 19).
2. Remove the small circular access panel from the back of the shredder housing. **SEE FIGURE 11**.
3. Inspect the cutting edges of the triangular hammers and J-hammers. **SEE FIGURES 11 AND 12**.

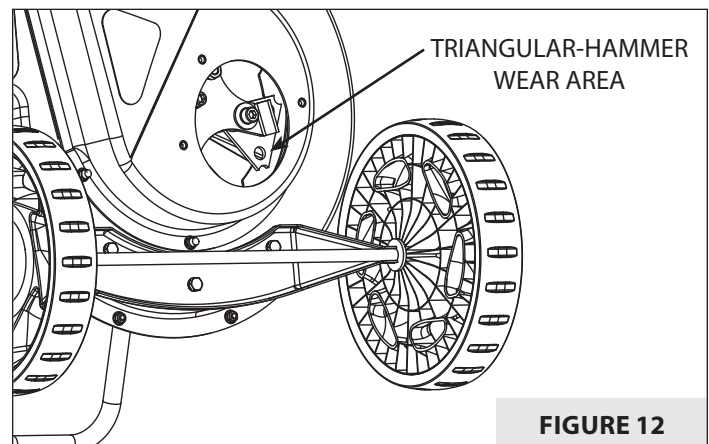
To rotate or replace the shredding hammers, see the Troubleshooting and Repair section.



**FIGURE 10**



**FIGURE 11**



**FIGURE 12**

## INSPECT CHIPPING KNIVES

*Service Interval: Every 25 hours, or as necessary*

The chipping knives of this unit can be rotated or sharpened to provide a new cutting surface as required. When inspecting the knives be careful to avoid touching the sharpened edges. To inspect the chipping knives:

1. Disconnect the spark plug wire and secure it away from the spark plug. **SEE FIGURE 14.**
2. Remove the nuts securing the chipper cone to the front of the chipper. Remove the chipper cone to access the knives. **SEE FIGURE 13.**
3. Using the recoil starter, slowly pull the starter rope to rotate the rotor into position so the blades can be seen.

To sharpen or replace the chipper knives, see the Troubleshooting and Repair section.

## CHECK / CHANGE ENGINE AIR CLEANER

*Service Interval: Every 25 hours*

The engine air cleaner assembly should be opened, inspected, and the filter element replaced every 25 hours, or as required if debris has built up in the assembly.

To replace the air filter, see engine manual.

## REPLACE SPARK PLUG

Please contact your authorized repair center to perform this service.

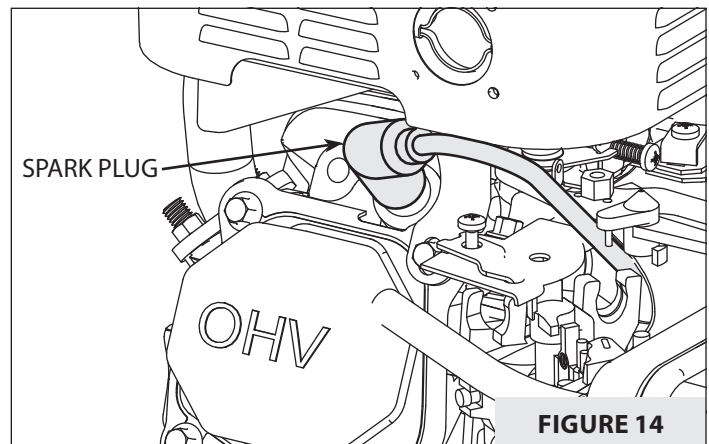
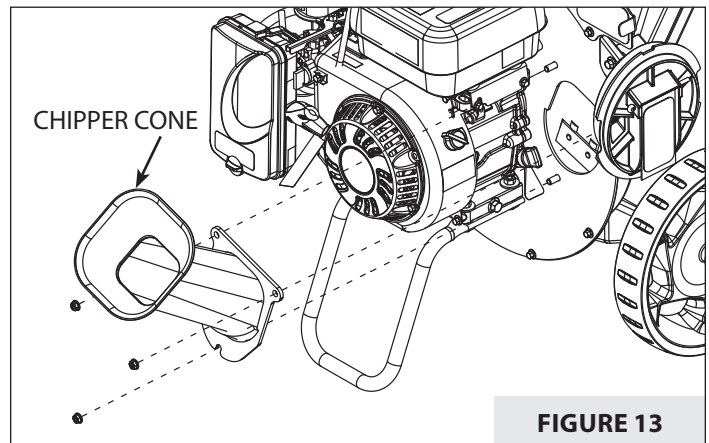
## OIL MAINTENANCE

Refer to engine manual for oil maintenance.

## CAUTION

**▲ FOR THE SAFETY OF THE USER, AND TO MAXIMIZE THE LIFE OF THE ENGINE, IT IS CRUCIAL TO TAKE TIME TO CHECK THE CONDITION OF THE ENGINE. PROBLEMS MUST BE CORRECTED BEFORE OPERATING.**

**▲ AVOID INJURY! ENGINE OIL IS HAZARDOUS TO YOUR HEALTH. DISPOSE OF OIL APPROPRIATELY. USE A SAFE DISPOSAL/RECYCLING CENTER.**



## TROUBLESHOOTING

While normal care and regular maintenance will extend the life of your equipment, prolonged or constant use may eventually require that service be performed to allow it to continue operating properly.

The troubleshooting guide below lists the most common problems, their causes, and remedies.

See the information on the following pages for instructions on how to perform most of these minor adjustments and service repairs yourself or by your local authorized repair center.

PROBLEM	CAUSE	REMEDY
<b>Engine will not start.</b>	<ol style="list-style-type: none"> <li>1. Out of fuel.</li> <li>2. Spark plug wire disconnected.</li> <li>3. Engine controls not set correctly.</li> <li>4. Spark plug fouled.</li> <li>5. No compression. Recoil starter pulls with no resistance.</li> <li>6. No spark. Ignition problems.</li> <li>7. Old or stale fuel.</li> </ol>	<ol style="list-style-type: none"> <li>1. Add Fuel.</li> <li>2. Reconnect spark plug wire as recommended in engine manual.</li> <li>3. Refer to STARTING in the engine manual.</li> <li>4. Remove spark plug. Clean/replace as recommended in engine manual.</li> <li>5. See your authorized service center.</li> <li>6. See your authorized service center.</li> <li>7. See your authorized service center.</li> </ol>
<b>Engine exhaust is black.</b>	<ol style="list-style-type: none"> <li>1. Dirty air filter</li> <li>2. Choke closed.</li> </ol>	<ol style="list-style-type: none"> <li>1. Replace air filter. See engine manual.</li> <li>2. Open choke.</li> </ol>
<b>Engine runs but no material is discharged.</b>	<ol style="list-style-type: none"> <li>1. Discharge chute clogged.</li> <li>2. Engine not running at full speed.</li> </ol>	<ol style="list-style-type: none"> <li>1. Clean out debris.</li> <li>2. Set throttle control to FAST if equipped. For fixed throttle engines see your authorized service center.</li> </ol>
<b>Excessive branch vibration when chipping materials.</b>	<ol style="list-style-type: none"> <li>1. Chipper knives dull.</li> <li>2. Tree limbs are extremely hard or dried out.</li> </ol>	<ol style="list-style-type: none"> <li>1. Sharpen/Replace chipper knives.</li> <li>2. Material is not suitable for chipping.</li> </ol>
<b>Unusual noise or vibration when chipping materials.</b>	<ol style="list-style-type: none"> <li>1. Rotor overloaded with material.</li> <li>2. Hammers are broken, bent, or loose.</li> <li>3. Hammers frozen in place.</li> </ol>	<ol style="list-style-type: none"> <li>1. Allow unit to clear itself before adding more material to the hopper.</li> <li>2. Check assembly. Tighten or replace as necessary.</li> <li>3. Check for obstructions and debris. Repair or replace as necessary.</li> </ol>

## REPAIR

### ROTOR REMOVAL

**NOTE:** The rotor does not need to be removed to change the hammers and knives. However, the removal and installation of the knives will be easier with the rotor removed.

**NOTE:** If using a unit that has socket head bolts with no locking plates on them, the hardware will need to be upgraded to new hardware kit.

To remove the rotor from the drive shaft:

1. Turn the engine off and wait for all moving parts to stop.
2. Disconnect the spark plug wire and secure it away from the spark plug. **SEE FIGURE 15.**
3. Detach the rotor housing and hopper from the rotor plate. **SEE FIGURE 16.**
4. Bend the side tabs away from the center mounting bolt and remove the bolt.
5. Carefully remove the rotor plate, spacer, and key from the crankshaft. **SEE FIGURE 17.**

### HAMMER REMOVAL AND INSTALLATION

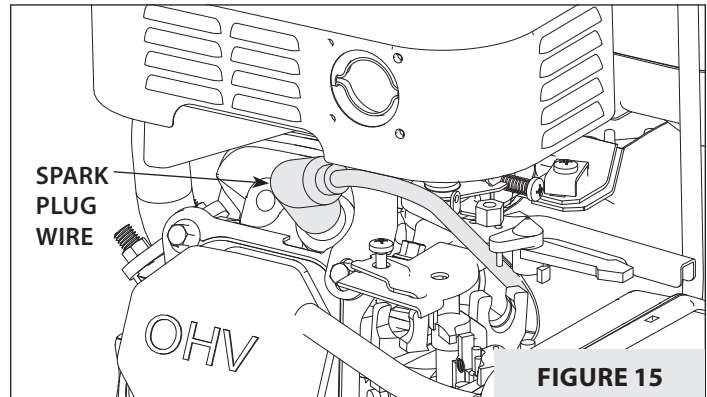
**NOTE:** The cutting edges of the shredding hammers may eventually wear out requiring rotation of the hammer or replacement if all cutting edges have been dulled.

**NOTE:** Triangular hammers can be rotated twice after the first edge dulls, then flipped over once and rotated again for a total of six edges. J-hammers can be flipped over once for a total of two cutting edges.

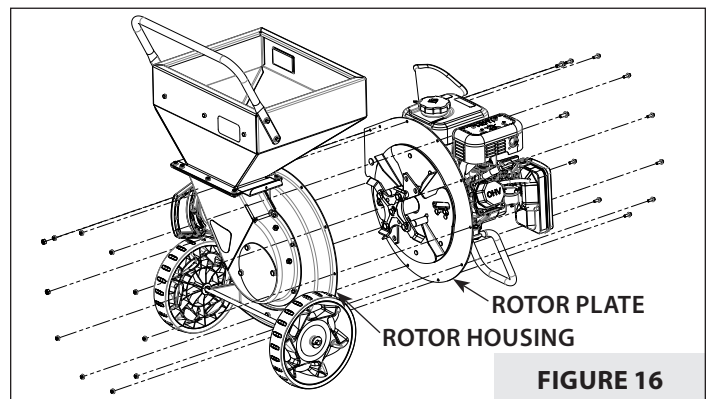
1. Remove the hammers by first bending the lock plate tabs down away from the hex head bolt securing the hammers. Remove the bolt. **SEE FIGURES 18 AND 19** (next page).  
**NOTE:** The assembly sequence of the hardware used to secure the hammers.
2. Inspect the hammers, spacers, and hardware. If the spacer tube shows signs of wear, replace it. Inspect and flip, or replace the hammers. The lock plate should always be replaced when replacing or rotating hammers.
3. Inspect the hammers, spacers, lock plate and bolts. Torque the bolt to 30-35 ft -lb (41-47 N.m.). The J-hammer on the

### WARNING

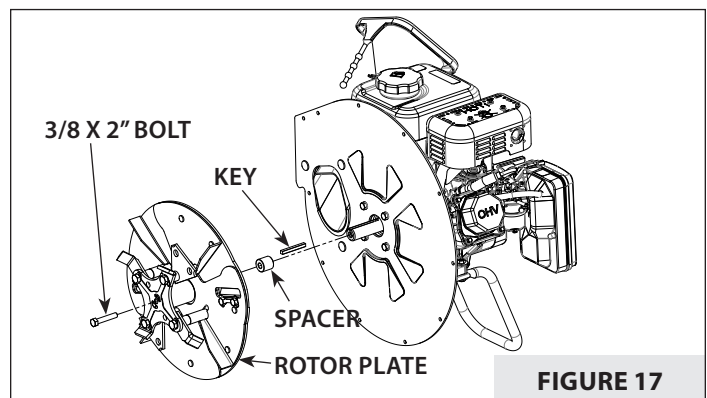
**▲ CUTTING HAZARD. TO AVOID SERIOUS INJURY, AVOID CONTACTING THE SHARP CUTTING EDGES OF THE CHIPPING KNIVES.**



**FIGURE 15**



**FIGURE 16**



**FIGURE 17**

opposite side of the rotor faces outward for balanced rotation. Two faces of the bolt should align in parallel with the lock plate tabs.

**NOTE:** We recommend the use of high-strength thread locker on mounting bolts.

4. Bend the lock plate tabs up to secure the bolt and preventing rotation. The tabs should sit flat on a face of the bolt. **SEE FIGURE 18.**
5. Repeat for all hammers.

## CHIPPING KNIFE REMOVAL AND INSTALLATION

*To inspect or replace the chipping knives:*

1. Bend the lock plate tabs away from the bolts securing the chipping knives.
2. Remove the two bolts and the chipping knife. **SEE FIGURE 20.**
3. Inspect or replace the chipper knife.
4. Reinstall the chipper knife and tighten the bolts to 18-20 ft-lb (24-27 N.m.). Ensure that the knife is sitting squarely against the stop that has been formed into the rotor. If it is not sitting square, the knives will perform as if they are extremely dull. Always use a new lock plate when installing knives. Two of the bolt faces should align in parallel with the lock plate tabs.

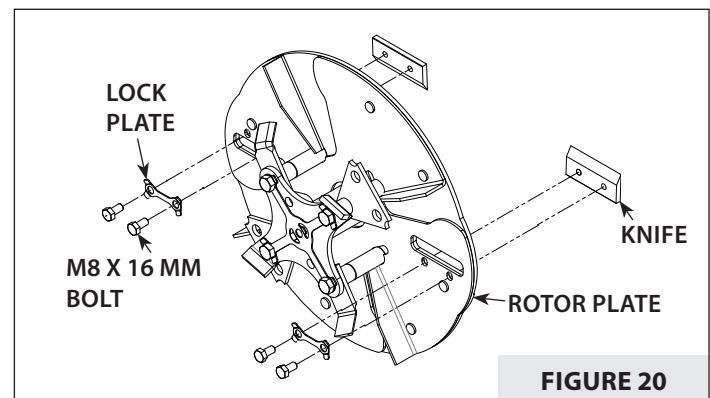
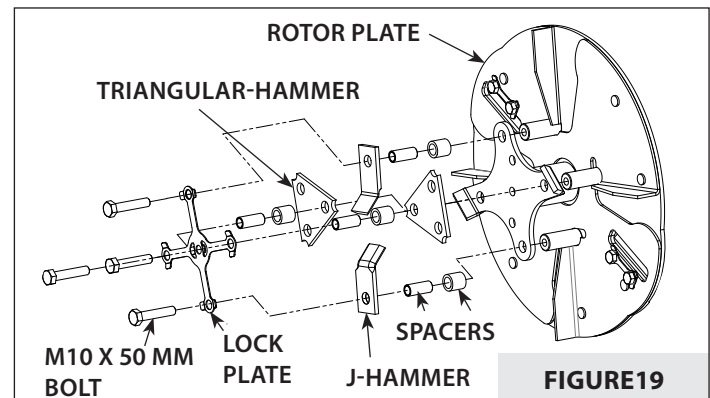
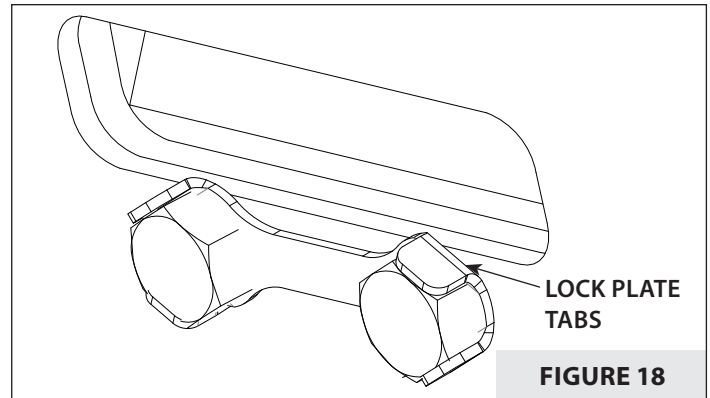
**Note:** We recommend the use of high-strength thread locker on mounting bolts.

5. Bend the lock plate tabs up to prevent bolt rotation. The tabs should sit flat on a face of the bolt. **SEE FIGURE 18.**


## INSTALL THE ROTOR ON THE CRANKSHAFT

*To install the rotor on the crankshaft:*

1. Replace the rotor onto the crankshaft, careful to replace the spacer and key. **SEE FIGURE 17.**
2. Torque the mounting bolt to 30-35 ft-lb (41-47 N.m.).
3. Bend the lock plate tabs up to secure the mount bolt and prevent rotation. The tabs should sit flat on the face of the bolt.
4. Reinstall rotor housing and hopper. **SEE FIGURE 16.**







# Earthquake<sup>®</sup>

**ARDISAM, INC.**  
1160 Eighth Avenue  
PO Box 666  
Cumberland, WI 54829

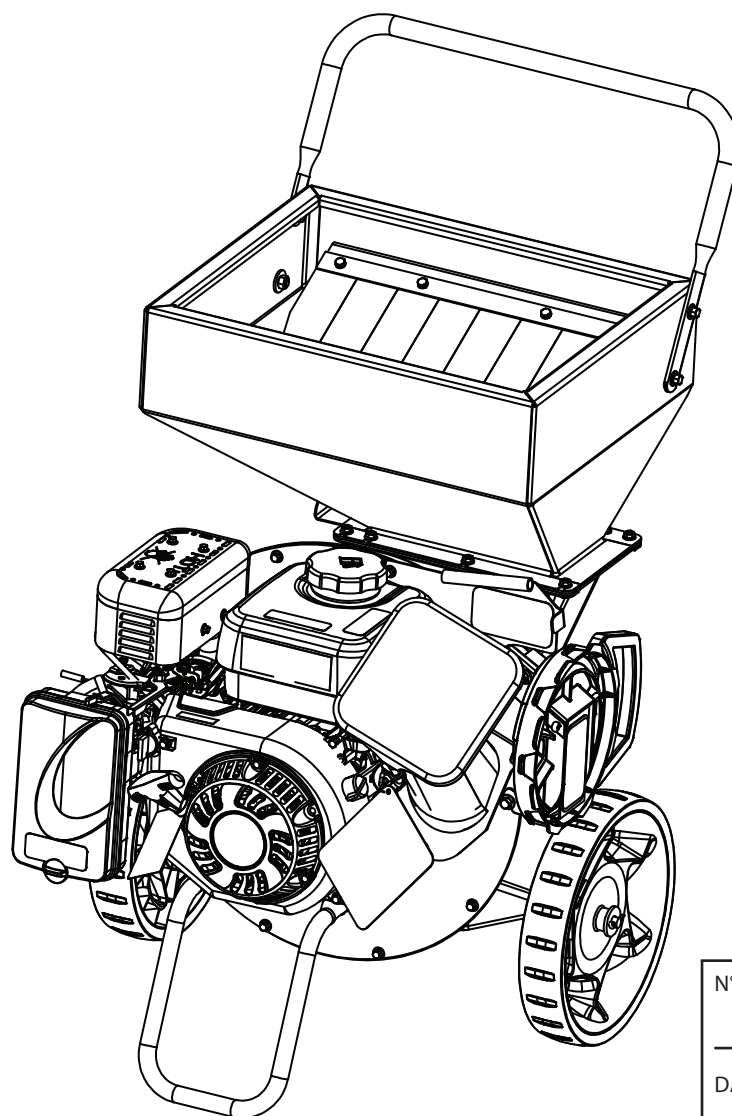
Phone: (800) 345-6007  
Fax: (715) 822-2124  
[www.getearthquake.com](http://www.getearthquake.com)





Manuel de l'utilisateur  
**BROYEUSE-DÉCHIQUETEUSE**  
Modèles n° : 33968, 33964

FRANÇAIS



N° DE SÉRIE  
\_\_\_\_\_  
DATE D'ACHAT :  
\_\_\_\_\_

CE LIVRET D'INSTRUCTIONS CONTIENT DES INFORMATIONS **IMPORTANTES** SUR LA SÉCURITÉ.  
VEUILLEZ LE LIRE ET LE CONSERVER POUR TOUTE CONSULTATION EXTÉRIEURE.

Pièces détachées et assistance technique en ligne à  
[www.GetEarthquake.com](http://www.GetEarthquake.com) ou composer le (800) 345-6007



## **ARRÊTEZ! ACTIVEZ LA GARANTIE AVANT UTILISATION**

Tous les produits doivent être enregistrés *dans les 30 jours* à compter de la date d'achat pour être couverts par la garantie. Pour plus d'information sur la garantie et l'enregistrement, veuillez consulter les modalités et conditions de la garantie et de l'enregistrement figurant dans l'encart de garantie.

## **INTRODUCTION**

Merci d'avoir acheté ce produit Earthquake®. Nous nous sommes attachés à ce que ce produit réponde aux plus hautes normes d'utilisation et de durabilité. Moyennant des soins corrects, votre achat offrira de nombreuses années de service fiable.

Lire ce manuel en entier avant de l'installer et de l'utiliser. Earthquake® se réserve le droit de changer, modifier ou améliorer ce produit et cette documentation à tout moment sans préavis. En raison des constantes améliorations de nos produits, les représentations du produit peuvent être inexactes. Un certain assemblage peut être requis.

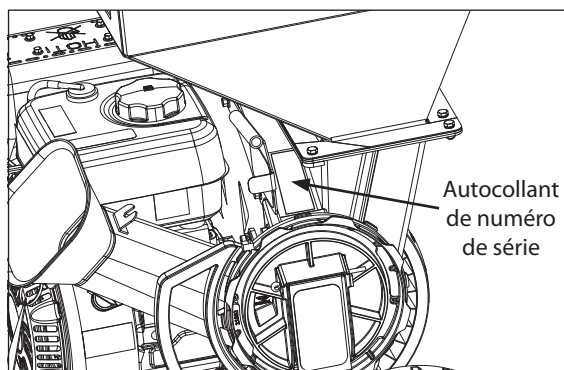
Lire ce manuel et le conserver pour toute consultation ultérieure. Ce manuel contient des renseignements importants concernant la sécurité, l'assemblage, l'utilisation et l'entretien. Le propriétaire doit veiller à ce que toute la documentation sur le produit soit fournie avec l'appareil. Cette documentation comprend le manuel, la liste des pièces de rechange et les garanties. Cette documentation doit être fournie en vertu de la réglementation en vigueur. Toutes les personnes à qui cette machine est louée/prêtée doivent avoir accès à ces informations et les comprendre. Le présent manuel doit rester avec le produit, notamment s'il est revendu.

## **SOMMAIRE**

Introduction / Sommaire.....	2
Schéma d'identification des vis.....	3
Avertissements et mesures de précaution.....	4-9
Caractéristiques et commandes.....	10
Données techniques.....	11
Déballage et assemblage.....	12-14
Utilisation.....	15-16
Entretien et entreposage.....	17-19
Dépannage et réparation.....	20-22

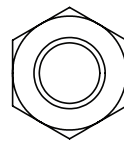
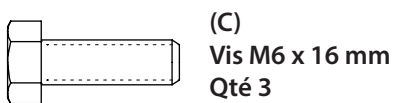
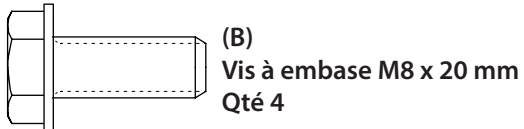
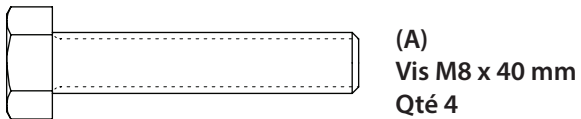
## **ENREGISTREMENT ET SERVICE APRÈS-VENTE**

Consigner le numéro de modèle et le numéro de série du produit dans l'espace prévu pour y accéder facilement lors des commandes de pièces détachées ou des demandes d'assistance technique. À l'exception des articles couverts par la garantie sur le contrôle des émissions, la garantie est valable uniquement si l'enregistrement dûment rempli est reçu par Ardisam dans les 30 jours après l'achat. L'enregistrement de la garantie peut se faire en ligne à [www.GetEarthquake.com](http://www.GetEarthquake.com) ou par courrier à : Ardisam, 1160 8th Avenue, Cumberland, WI 54829, États-Unis. Il est aussi possible d'appeler notre Service après-vente au (800) 345-6007 du lundi au vendredi de 8h00 à 17h00 HNC.

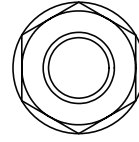


## SCHÉMA D'IDENTIFICATION DES VIS

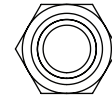
Vis représentées à des fins de référence de taille seulement. Le sachet de pièces peut contenir de la visserie supplémentaire.



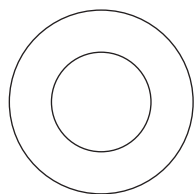
(G)  
Écrou M8  
Qté 8



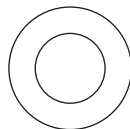
(H)  
Écrou  
autobloquant  
M8  
Qté 3



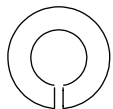
(I)  
Écrou M6  
Qté 3



(D)  
Rondelle 12 x 24 mm  
Qté 2



(E)  
Rondelle M8  
Qté 12

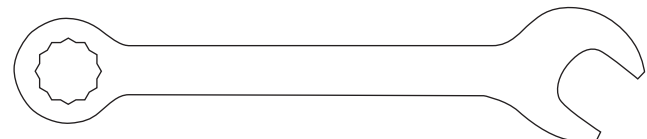


(F)  
Rondelle-frein élastique M6  
Qté 3

## OUTILLAGE NÉCESSAIRE - NON FOURNI



Clé de 8 mm - Qté 1



Clé de 10 mm - Qté 1

## AVERTISSEMENTS ET MESURES DE PRÉCAUTION

### RESPONSABILITÉ DU PROPRIÉTAIRE

L'assemblage correct et l'utilisation sûre et efficace de la machine relèvent de la responsabilité de l'utilisateur.

- Lire et respecter toutes les instructions de sécurité.
- Suivre avec attention toutes les instructions d'assemblage.
- Entretien la machine conformément aux instructions et au calendrier figurant dans le manuel de l'utilisateur Earthquake®.
- S'assurer que quiconque utilise la machine est familiarisé avec toutes les commandes et mesures de précaution.

### MESSAGES SPÉCIAUX

Ce manuel contient des messages spéciaux attirant l'attention sur des problèmes de sécurité et dommages potentiels à la machine, ainsi que des informations utiles sur l'utilisation et l'entretien. Veiller à lire toutes ces informations avec attention pour éviter les blessures et les dommages à la machine.

**REMARQUE :** Des informations générales sont fournies à travers ce manuel pouvant aider l'opérateur dans l'utilisation ou l'entretien de la machine.

- ⚠ Ce symbole signale des instructions de sécurité importantes qui doivent être respectées pour ne pas mettre en danger la sécurité des personnes. Lire et respecter toutes les instructions du manuel avant de tenter de faire fonctionner ce matériel.

### AVANT D'UTILISER LA MACHINE :

**Veiller à lire cette section avec attention.** Lire l'ensemble des instructions d'utilisation et d'entretien de ce produit. Tout manquement à respecter ces instructions peut entraîner des blessures graves ou la mort. Utiliser la machine conformément aux instructions de sécurité fournies ici et tout au long du manuel. Quiconque utilise cette machine doit lire les instructions et être familiarisé avec les commandes.

### AVIS

AVIS INDIQUE QUE LE MATÉRIEL PEUT ÊTRE ENDOMMAGÉ SI LES INSTRUCTIONS DE SÉCURITÉ QUI SUIVENT CE MOT-INDICATEUR NE SONT PAS RESPECTÉES.

### IMPORTANT

IMPORTANT SIGNALE DES INFORMATIONS UTILES CONCERNANT L'ASSEMBLAGE, L'UTILISATION OU L'ENTRETIEN DU MATÉRIEL.

### ⚠ ATTENTION

⚠ ATTENTION INDIQUE UN DANGER QUI, S'IL N'EST PAS ÉVITÉ, PEUT PROVOQUER DES BLESSURES CORPORELLES ET DES DÉGÂTS MATÉRIELS.

### ⚠ AVERTISSEMENT

⚠ AVERTISSEMENT INDIQUE UN DANGER QUI, S'IL N'EST PAS ÉVITÉ, PEUT PROVOQUER LA MORT OU DES BLESSURES CORPORELLES ET DÉGÂTS MATÉRIELS GRAVES.

### ⚠ DANGER

⚠ DANGER INDIQUE UN DANGER QUI, S'IL N'EST PAS ÉVITÉ, PROVOQUERA IMMANQUABLEMENT LA MORT OU DES BLESSURES CORPORELLES ET DES DÉGÂTS MATÉRIELS GRAVES.

### ⚠ AVERTISSEMENT

- ⚠ VEILLER À LIRE, À COMPRENDRE ET À RESPECTER TOUTES LES INSTRUCTIONS DE SÉCURITÉ ET D'UTILISATION FIGURANT DANS CE MANUEL AVANT DE TENTER D'INSTALLER ET DE FAIRE FONCTIONNER LA MACHINE.
- ⚠ TOUT MANQUEMENT À OBSERVER LES INSTRUCTIONS DE SÉCURITÉ ET D'UTILISATION PEUT PROVOQUER DES BLESSURES CORPORELLES GRAVES POUR L'UTILISATEUR ET D'AUTRES PERSONNES PRÉSENTES ET DES DÉGÂTS MATÉRIELS. LE TRIANGLE DANS LE TEXTE INDIQUE DES MISES EN GARDES ET AVERTISSEMENTS IMPORTANTS QUI DOIVENT ÊTRE SUIVIS.

## CONSIGNES GÉNÉRALES DE SÉCURITÉ

- Lire le manuel d'instructions d'utilisation et d'entretien avec attention. Veiller à bien se familiariser avec les commandes et la bonne utilisation de la machine. Veiller à savoir comment arrêter la machine et débrayer les commandes rapidement.
- Ne pas utiliser ce matériel sans une tenue extérieure appropriée et des lunettes de sécurité. Éviter les vêtements flottants et porter des chaussures de protection qui permettent de garder le pied ferme sur les surfaces glissantes.
- Porter une tenue adaptée à l'utilisation de la broyeuse-déchiqueteuse. Toujours porter des chaussures robustes et des lunettes de sécurité. Ne jamais porter de sandales, de chaussures de sport ni de chaussures ouvertes et ne jamais utiliser la broyeuse-déchiqueteuse pieds nus. Ne pas porter de vêtements amples susceptibles d'être happés dans les pièces en mouvement.
- Ne jamais laisser d'enfant utiliser la machine. Ne jamais laisser d'adulte utiliser cette machine sans instruction appropriée.
- Permettre l'utilisation de la machine uniquement à des adultes responsables familiarisés avec les instructions (les règlements locaux peuvent restreindre l'âge de l'utilisateur).
- Tenir toutes les personnes présentes à l'écart de la zone de travail, en particulier les jeunes enfants et les animaux.
- Toujours garder le pied ferme et un solide équilibre lors du démarrage et de l'utilisation de la broyeuse-déchiqueteuse. Ne jamais se pencher directement au-dessus de la machine.
- Ne jamais utiliser la machine à des vitesses de transport élevées sur des surfaces dures ou glissantes.
- Utiliser la machine uniquement durant la journée ou sous une bonne lumière artificielle.
- Ne pas utiliser la machine alors qu'on est sous l'emprise d'alcool ou de drogue.
- Faire preuve de précaution pour éviter de glisser ou de tomber.
- Toujours porter une protection oculaire et auditive durant l'utilisation de cette machine.
- Garder à l'esprit que l'opérateur est responsable des dommages subis par d'autres personnes ou matériels.
- Ne jamais utiliser la machine si tous les carters de protection, plaques et autres dispositifs de sécurité ne sont pas en place.
- Ne pas placer les mains ni les pieds au-dessous ou à proximité de pièces en rotation ou des ouvertures de chargement ou d'éjection.
- Examiner avec soin l'endroit où la machine doit être utilisée et éliminer tous les objets étrangers.



### DANGER

- ⚠ **LA BROYEUSE-DÉCHIQUETEUSE COMPORTE DES LAMES EN ROTATION CAPABLES D'AMPUTER LES MAINS ET LES PIEDS. NE PAS PLACER LES MAINS OU LES PIEDS DANS LA TRÉMIE, LE CÔNE DE BROYEUSE OU LA GOULOTTE D'ÉJECTION.**



### AVERTISSEMENT

- ⚠ **LES DÉBRIS COMBUSTIBLES PEUVENT S'ENFLAMMER. L'UTILISATION OU L'EXPLOITATION DE TOUT MOTEUR THERMIQUE DANS UN LIEU COUVERT DE FORÊT, DE BROUSSAILLES OU D'HERBES EST UNE INFRACTION À LA SECTION 4442 DU CALIFORNIA PUBLIC RESOURCE CODE, SAUF SI LE SYSTÈME D'ÉCHAPPEMENT EST ÉQUIPÉ D'UN DISPOSITIF PARE-ÉTINCELLES, TEL QUE DANS LA SECTION 4442, EN BON ÉTAT DE FONCTIONNEMENT. D'AUTRES JURIDICTIONS FÉDÉRALES OU PROVINCIALES PEUVENT AVOIR DES LOIS SEMBLABLES. POUR OBTENIR LE PARE-ÉTINCELLES CONÇU POUR CE PRODUIT, S'ADRESSER AU CONSTRUCTEUR D'ORIGINE, AU REVENDEUR OU À UN CONCESSIONNAIRE.**



### AVERTISSEMENT

- ⚠ **CETTE MACHINE ÉJECTE LES DÉCHETS À DES VITESSES ÉLEVÉES. TOUJOURS PORTER DES LUNETTES DE PROTECTION ET NE PAS FAIRE FONCTIONNER SI LE SAC COLLECTEUR N'EST PAS EN PLACE.**
- ⚠ **NE LAISSER PERSONNE S'APPROCHER PENDANT QUE LA MACHINE EST EN MARCHÉ. SI QUELQU'UN S'APPROCHE, ARRÊTER IMMÉDIATEMENT LA MACHINE JUSQU'À CE QUE LA PERSONNE S'ÉLOIGNE. ORGANISER LA ZONE DE TRAVAIL AVANT DE DÉMARRER LE TRAVAIL.**

- Faire preuve de beaucoup de précaution lors de l'utilisation sur ou à travers des allées, chemins ou routes en gravier. Prendre garde aux dangers cachés et à la circulation.
- Ne jamais laisser personne s'approcher de la machine en marche.
- Ne pas placer les mains ni les pieds près des pièces en rotation ou sous la machine. Se tenir en permanence à l'écart de la bouche d'éjection.
- Toujours utiliser la broyeuse-déchiqueteuse à l'extérieur, sur une surface plane et ferme de terre ou de gazon où la machine sera stable et restera en position. Ne jamais tenter d'utiliser la machine en pente ou sur une surface mouillée ou glissante où on pourrait glisser et tomber vers les ouvertures du cône de déchiqueteuse ou de la trémie.
- Si la machine commence à vibrer anormalement, arrêter le moteur et rechercher immédiatement la cause. Les vibrations signalent généralement un problème.

- Ne pas faire fonctionner la machine sans son sac collecteur car elle éjecte les déchets à des vitesses élevées. Si la machine est utilisée sur de la terre battue, de l'asphalte, du béton ou d'autres surfaces en dur sans le sac collecteur en place, la matière peut ricocher sur la surface dure et présenter des risques pour les utilisateurs et autres personnes présentes.
- Toujours respecter les limites de taille des branches et branchages indiquées dans le guide des déchets admissibles plus loin dans ce manuel.
- Ne jamais laisser la machine en marche sans surveillance. Toujours arrêter le moteur, attendre l'arrêt complet du rotor et débrancher la bougie avant de s'éloigner de la zone. Toujours ranger la machine dans un lieu d'entreposage sécuritaire lorsqu'elle n'est pas utilisée.
- Ne jamais diriger l'éjection de matière vers des personnes. Éviter d'éjecter la matière contre un mur ou une obstruction. La matière peut rebondir vers l'opérateur.
- Toujours se tenir sur le côté du cône de déchiqueteuse lors de l'introduction de branches et branchages dans la machine, car les grosses branches et les bois durs peuvent subir un recul soudain durant le déchiquetage.
- Toujours tenir les mains hors du cône de déchiqueteuse et de la trémie de broyeuse lors de l'introduction de matières. Ne jamais serrer les doigts autour des branches en les introduisant dans la machine, car une traction soudaine pourrait tirer les mains et les bras dans la machine.
- Ne jamais laisser de matière s'accumuler au niveau de la zone d'éjection ou dans la chambre de broyage, car cela peut provoquer un recul soudain de la nouvelle matière introduite dans la machine avec une force suffisante pour blesser l'opérateur ou d'autres personnes présentes.
- Ne jamais laisser de matières s'accumuler autour du moteur durant la marche de la broyeuse-déchiqueteuse. Cela peut provoquer un incendie ou une surchauffe du moteur.
- Prendre toutes les mesures de précaution possibles recommandées par le fabricant si la machine est laissée sans surveillance.
- Ne pas surcharger la machine en tentant de déchiqueter ou de broyer des matières au-delà des recommandations du fabricant.
- Faire preuve de grande prudence lors des changements de sens ou en tirant la machine vers soi.
- Ne pas modifier les réglages du régulateur de moteur ni faire tourner le moteur en surrégime.
- Ne jamais tenter de repositionner ou de déplacer la broyeuse-déchiqueteuse alors qu'elle est en marche. Cela peut provoquer le basculement de la machine et, en essayant de la saisir pour la stabiliser, l'opérateur peut accidentellement introduire les mains dans le cône de broyeuse ou la trémie de déchiqueteuse.
- Ne jamais continuer à faire fonctionner la machine si elle développe des bruits ou vibrations inhabituels. Arrêter immédiatement le moteur, attendre l'arrêt complet du rotor, débrancher le câble de la bougie et l'attacher à l'écart de la bougie. Contrôler la machine pour voir si elle présente des signes de dommages ou s'il y a des matières étrangères dans les zones de déchiquetage ou de broyage. Retirer toute matière solide qui pourrait empêcher la machine de fonctionner correctement.
- Ne jamais tenter d'éliminer les bourrages du cône de déchiqueteuse, de la trémie de broyeuse ou de la goulotte d'éjection durant la marche de la machine. Toujours arrêter le moteur, attendre l'arrêt complet du rotor et débrancher le câble de la bougie avant de retirer les excédents de matière.
- Ne jamais tenter d'effectuer des opérations d'entretien, de réparation ou de montage d'accessoires avec la machine en marche. Toujours arrêter la machine, attendre l'arrêt complet du rotor et débrancher le câble de la bougie avant de procéder à ces activités.
- Toujours s'assurer que la chambre de déchiquetage, la trémie de déchiqueteuse et le cône de broyeuse sont vides avant de démarrer la machine après une période d'inactivité. Une tentative de démarrage de la machine avec de la matière dans ces zones peut provoquer le blocage soudain du cordon de lanceur, ce qui peut blesser la main et les doigts ou faire basculer la machine. Les vibrations signalent généralement un problème.
- Utiliser uniquement des outils et accessoires autorisés par le fabricant de la machine.
- S'assurer qu'il n'y a aucun déchet dans la broyeuse-déchiqueteuse avant de démarrer le moteur.
- Ne jamais tenter d'effectuer des réglages alors que le moteur est en marche.
- Après avoir heurté un objet étranger, arrêter le moteur, débrancher le câble de la bougie et attendre l'arrêt complet de toutes les pièces en mouvement. Contrôler avec soin l'état de la machine, réparer tout dommage avant de redémarrer et d'utiliser la machine.
- Lancer ou mettre en marche le moteur avec précaution conformément aux instructions du fabricant. Tenir les mains et les pieds à l'écart des zones de chargement et d'éjection.
- Ne jamais soulever ni porter la machine avec le moteur en marche.

## MESURES DE SÉCURITÉ PROPRES AU MOTEUR

- Avant tout nettoyage, réparation ou contrôle de la machine, arrêter le moteur et s'assurer que toutes les pièces en mouvement soient à l'arrêt complet. Débrancher le câble de la bougie et l'attacher à l'écart de la bougie pour éviter tout démarrage accidentel.
- Arrêter le moteur avant de quitter la position de travail et d'effectuer des réparations, réglages et contrôles.

## ENTRETIEN ET ENTREPOSAGE

- Maintenir la machine, les outils et les accessoires en bon état de marche.
- Contrôler fréquemment le bon serrage des boulons de fixation du moteur et autre visserie pour s'assurer que le matériel est en état de marche sécuritaire.
- Ne jamais entreposer la machine avec du carburant dans le réservoir à l'intérieur d'un bâtiment où des sources d'inflammation sont présentes, notamment chauffe-eau, convecteurs électriques, sècheuses, etc. Laisser le moteur refroidir avant de l'entreposer dans une quelconque enceinte.
- Toujours se reporter au manuel de l'utilisateur si le bloc moteur doit être entreposé pendant une durée prolongée.
- Si le réservoir de carburant doit être vidangé, le faire à l'extérieur.
- Suivre les recommandations du fabricant concernant la sécurité de chargement, de déchargement et d'entreposage de la machine.

## POUR ÉVITER L'INTOXICATION AU MONOXYDE DE CARBONE

- Toujours démarrer et faire tourner le moteur à l'extérieur. Ne pas démarrer ni faire tourner le moteur dans un espace fermé, même avec des portes ou des fenêtres ouvertes.
- Ne jamais essayer de ventiler l'échappement du moteur à l'intérieur. Le monoxyde de carbone peut atteindre des niveaux dangereux très rapidement.
- Ne jamais faire fonctionner le moteur à l'extérieur à un endroit où les gaz d'échappement peuvent être aspirés dans un bâtiment.
- Ne jamais faire fonctionner le moteur à l'extérieur dans un endroit mal aéré où les gaz d'échappement peuvent être piégés et difficiles à dissiper (exemples : fond de fouille ou aires de travail entourées de collines).
- Ne jamais faire fonctionner le moteur dans un endroit fermé ou partiellement fermé (exemples : bâtiments fermés sur un ou plusieurs côtés, sous une tente, abri à voiture ou sous-sol).
- Toujours faire fonctionner le moteur avec l'échappement et le silencieux pointés dans la direction opposée à l'utilisateur.



### AVERTISSEMENT

⚠ LE MOTEUR THERMIQUE DÉGAGE DU MONOXYDE DE CARBONE, UN GAZ TOXIQUE INODORE ET INCOLORE. DU MONOXYDE DE CARBONE PEUT ÊTRE PRÉSENT MÊME SI ON NE PEUT PAS SENTIR NI VOIR DE GAZ D'ÉCHAPPEMENT DU MOTEUR. L'INHALATION DE MONOXYDE DE CARBONE PEUT PROVOQUER LA NAUSÉE, LA PERTE DE CONSCIENCE, VOIRE LA MORT, EN PLUS D'UN ÉTAT DE SOMNOLENCE, D'ÉTOURDISSEMENT ET DE CONFUSION. EN PRÉSENCE DE L'UN DE CES SYMPTÔMES, SORTIR À L'AIR FRAIS ET OBTENIR IMMÉDIATEMENT DES SOINS MÉDICAUX.

⚠ SI LA MACHINE EST FOURNIE AVEC MANUEL SÉPARÉ POUR LE MOTEUR, VEILLER À BIEN LE LIRE ET À SUIVRE TOUTES LES MISES EN GARDE ET MESURES DE PRÉCAUTION QU'IL CONTIENT, EN PLUS DE CELLES DE CE MANUEL.



### AVERTISSEMENT

⚠ LE CARBURANT EST TRÈS INFLAMMABLE. PRENDRE LES MESURES DE PRÉCAUTION SUIVANTES :

- ENTREPOSER LE CARBURANT DANS DES RÉCIPIENTS SPÉCIALEMENT CONÇUS À CET EFFET.
- FAIRE LE PLEIN À L'EXTÉRIEUR SEULEMENT ET NE PAS FUMER DURANT LE REMPLISSAGE.
- AJOUTER LE CARBURANT AVANT DE DÉMARRER LE MOTEUR. NE JAMAIS OUVRIR LE BOUCHON DU RÉSERVOIR DE CARBURANT NI AJOUTER DE CARBURANT PENDANT QUE LE MOTEUR EST EN MARCHÉ OU QU'IL EST CHAUD.
- SI DU CARBURANT EST DÉVERSÉ, NE PAS TENTER DE DÉMARRER LE MOTEUR MAIS ÉLOIGNER LA MACHINE DE LA ZONE DU DÉVERSEMENT ET ÉVITER DE CRÉER UNE QUELCONQUE SOURCE D'INFLAMMATION AVANT QUE LES VAPEURS DE CARBURANT AIENT DISPARU.
- REFERMER SOLIDEMENT LES CAPUCHONS DE RÉSERVOIR ET RÉCIPIENT DE CARBURANT.

- Ne jamais diriger le silencieux d'échappement vers quiconque. Les personnes présentes doivent toujours se tenir à plusieurs mètres de distance du moteur en marche et de ses accessoires.
- Ne pas modifier les réglages du régulateur de moteur ni faire tourner le moteur en surrégime.
- Ne pas faire fonctionner le moteur dans un espace clos où des vapeurs de monoxyde de carbone dangereux peuvent s'accumuler.

## **FEUX D'ESSENCE ET MANIPULATION SÉCURITAIRE DU CARBURANT**

- Faire preuve d'extrême prudence lors de la manipulation de l'essence et de tout autre carburant. Ils sont inflammables et les vapeurs sont explosives.
- Veiller à bien entreposer la réserve de carburant dans un bidon approprié et à l'écart de tout risque d'incendie.
- Écarter tout risque d'incendie ou d'explosion provoqués par une décharge d'électricité statique. Utiliser exclusivement des bidons à carburant portables non métalliques homologués par Underwriter's Laboratory (U.L.) ou par l'American Society for Testing & Materials (ASTM).
- Toujours faire le plein du réservoir de carburant à l'extérieur, dans un endroit bien aéré. Ne jamais faire le plein de carburant à l'intérieur (exemples : sous-sol, garage, grange, remise, maison, galerie, etc.). Ne jamais remplir le réservoir près d'appareils à veilleuse, réchauffeurs et autres sources d'inflammation. Si le réservoir doit être vidangé, le faire à l'extérieur. Le carburant vidangé doit être conservé dans un bidon spécifiquement conçu pour le carburant ou il doit être éliminé avec précaution.
- Ne jamais ouvrir le bouchon du réservoir ni ajouter du carburant avec le moteur en marche. Arrêter le moteur et le laisser refroidir avant de refaire le plein.
- Ne pas fumer durant le remplissage ou la marche du moteur.
- Ne jamais vidanger le carburant du moteur dans un endroit fermé.
- Toujours essuyer l'excédent (débordement) de carburant de la surface du moteur avant de démarrer. Nettoyer immédiatement tout carburant déversé par accident. En cas de déversement accidentel, ne pas démarrer le moteur mais éloigner la machine et le bidon de carburant. Nettoyer le carburant déversé et le laisser s'évaporer et sécher après avoir essuyé et avant de démarrer.
- Laisser les fumées/vapeurs de carburant s'échapper de la zone avant de démarrer le moteur.
- Vérifier que le bouchon du réservoir est correctement en place avant de démarrer le moteur.
- Toujours faire fonctionner le moteur avec le bouchon de réservoir correctement fermé.
- Entreposer la machine avec le bouchon du réservoir en haut.
- Ne jamais siphonner le carburant par la bouche pour vidanger le réservoir.
- Toujours faire remplir le réservoir de carburant par un adulte, jamais par un enfant.
- Ne jamais laisser une personne sous l'emprise de l'alcool ou de drogues faire le plein du moteur.

- Entreposer l'essence ou une machine avec du carburant dans le réservoir à l'écart de chaudières, poêles, chauffe-eau et autres appareils électroménagers comportant une veilleuse ou autre source d'inflammation susceptible d'enflammer les vapeurs d'essence.
- Ne jamais remplir les récipients à l'intérieur d'un véhicule ou sur un plateau de camion à doublure en plastique. Toujours placer les récipients sur le sol à l'écart du véhicule avant de les remplir.
- Décharger la machine à essence du camion ou de la remorque et refaire le plein sur le sol. Si cela n'est pas possible, refaire le plein de ce matériel sur une remorque avec un bidon portable plutôt qu'avec un pistolet de pompe à essence.

## **BRÛLURES ET FEUX**

- Le silencieux, le protège-silencieux et d'autres pièces du moteur deviennent extrêmement chauds durant la marche du moteur. Ces pièces restent très chaudes après l'arrêt du moteur.

## **PRÉVENTION DES BRÛLURES ET DES INCENDIES**

- Ne jamais démonter le protège-silencieux du moteur.
- Ne jamais toucher le protège-silencieux parce qu'il est extrêmement chaud et provoquerait des blessures graves.
- Ne jamais toucher les pièces du moteur qui deviennent chaudes après la marche.
- Toujours tenir tous matériaux et débris à l'écart du protège-silencieux et des autres pièces chaudes du moteur pour écarter les risques de feu.

## **ENFANTS ET PERSONNES PRÉSENTES**

- Il peut se produire des accidents tragiques si l'utilisateur n'est pas conscient de la présence d'enfants et/ou autres personnes. Ne jamais supposer que les autres personnes resteront toujours au même endroit.
- Tenir toutes les personnes présentes à l'écart de la zone de travail, en particulier les jeunes enfants et les animaux. Confier la surveillance des enfants à un adulte responsable.
- Rester alerte et couper la machine si des enfants entrent dans la zone de travail.
- Avant et durant les déplacements à reculons, regarder derrière soi et vers le bas pour vérifier qu'il n'y a pas de petits enfants.
- Ne jamais laisser d'enfant utiliser la machine





- A: Avertissement!
- B: Lire le manuel de l'utilisateur avant d'utiliser la machine.
- C: Ne pas utiliser en présence d'autres personnes.
- D: Enlever les objets susceptibles d'être projetés par cette machine.
- E: Ne jamais monter ou descendre des pentes avec la débroussaileuse, TOUJOURS les tondre latéralement.
- F: Prendre garde aux pièces en mouvement et en rotation.
- G: Porter en permanence une protection des yeux et des oreilles.
- H: Ne pas effectuer d'entretien ni de réglage de pièces en mouvement avant d'avoir coupé le moteur et débranché le câble de bougie.
- I: Sens de rotation des fils de débroussaillage.
- J: Vapeurs toxiques — Ne pas faire fonctionner dans des endroits non ventilés.
- K: Surfaces chaudes.
- L: Risques d'incendie.
- M: Ne pas utiliser durant des orages — En cas de fortes intempéries, arrêter la machine et se mettre à l'abri.
- N: Levage à plusieurs — Par mesure de sécurité, toujours soulever cette machine à deux personnes au moins.
- O: Ne jamais monter des outils de coupe métalliques — N'attacher aucune pièce métallique à la tête de coupe de cette machine.
- P: Ne pas utiliser en présence d'enfants ou autres personnes.

## AUTOCOLLANTS DE SÉCURITÉ

Cette machine est conçue et fabriquée pour offrir toute la sécurité et la fiabilité qu'on est en droit d'attendre d'un leader du marché de l'outillage motorisé pour travaux extérieurs.

Bien que le présent manuel et les instructions de sécurité qu'il contient fournissent les connaissances de base nécessaires pour utiliser ce matériel efficacement et en toute sécurité, nous avons apposé plusieurs autocollants de sécurité sur la machine pour rappeler certaines informations importantes à l'opérateur durant l'utilisation de la machine.

Tous les messages DANGER, AVERTISSEMENT, ATTENTION et d'instructions figurant sur la machine devront être lus avec attention et obéis. Tout manquement à respecter ces instructions peuvent provoquer des blessures corporelles. Ces informations de sécurité sont importantes! Les autocollants de sécurité ci-dessous sont apposés sur la machine.

Si certains manquent ou sont endommagés, veiller à les remplacer sans délai. Pour obtenir des autocollants de rechange, s'adresser au concessionnaire local ou directement à Earthquake.

Ces autocollants sont faciles à appliquer et constituent pour les utilisateurs un rappel visuel constant à respecter les mesures de précaution nécessaires à une exploitation sécuritaire et efficace de la machine.

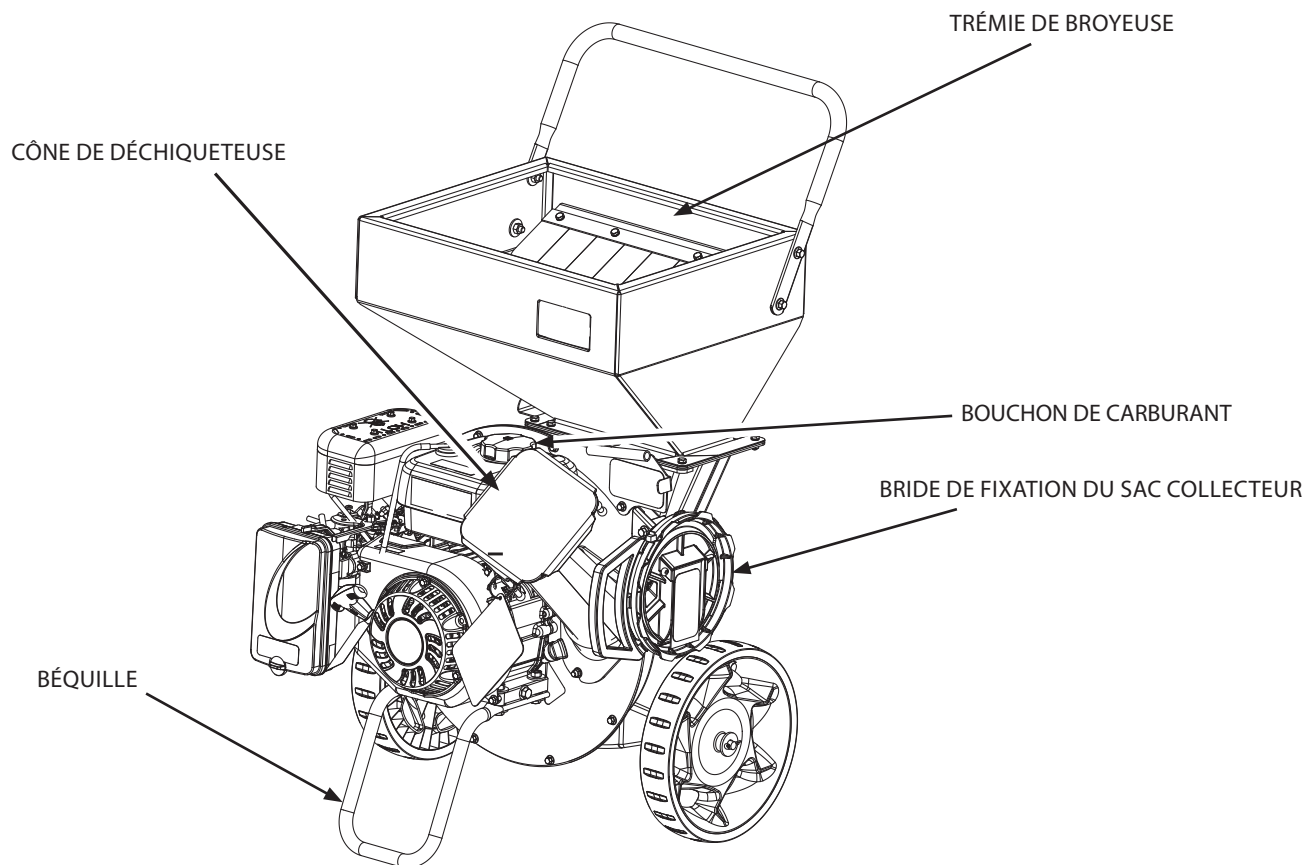


## CARACTÉRISTIQUES ET COMMANDES

### FONCTIONS DE COMMANDE

L'information ci-dessous décrit brièvement la fonction des commandes individuelles. L'utilisation suppose une utilisation combinée de plusieurs commandes actionnées dans des ordres particuliers. Pour savoir quelle combinaison de commandes utiliser et dans quel ordre pour les diverses tâches, voir le chapitre UTILISATION.

\*Voir les caractéristiques et commandes du moteur dans le manuel de moteur.



### CÔNE DE DÉCHIQUETEUSE/TRÉMIE DE BROYEUSE

**Cône de déchiqueteuse** : Le cône de déchiqueteuse se trouve sur l'avant de la machine à côté du moteur. Introduire des branchages et branches d'arbre ayant jusqu'à 7,6 cm (3 po) de diamètre environ dans le cône de déchiqueteuse. **NE JAMAIS** mettre les mains au-delà de l'embouchure du cône.

**Trémie de broyeuse** : La trémie de broyeuse se trouve sur le dessus de la machine. Les feuilles et autres déchets légers peuvent être chargés dans la trémie. Ne rien mettre de plus de 13 mm (1/2 po) de diamètre dans la broyeuse. **NE JAMAIS** mettre les mains dans la trémie.

**Sac collecteur** : Utiliser le sac collecteur pour recueillir les matières éjectées par la machine. Ne pas faire fonctionner la machine sans le sac en place.

**DONNÉES TECHNIQUES**

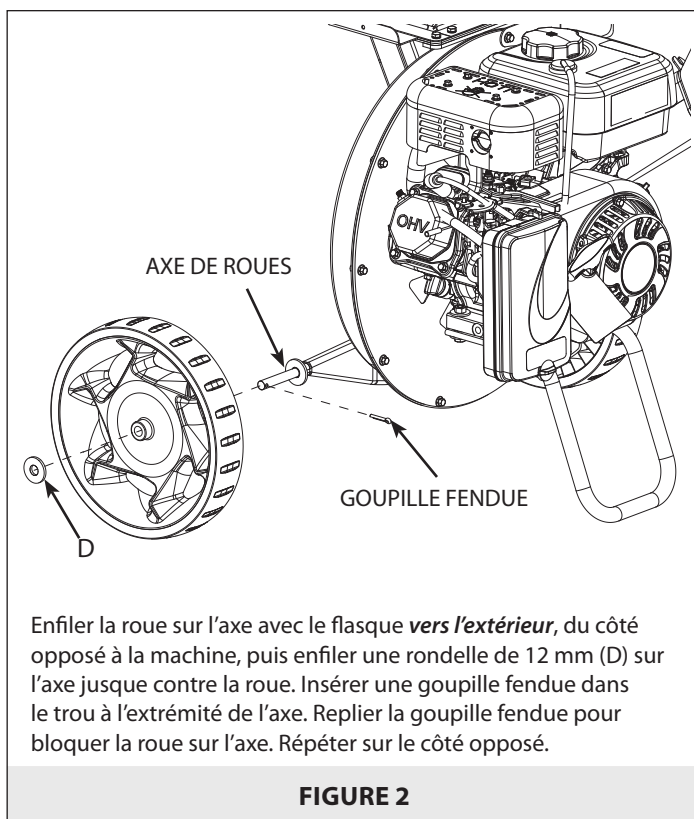
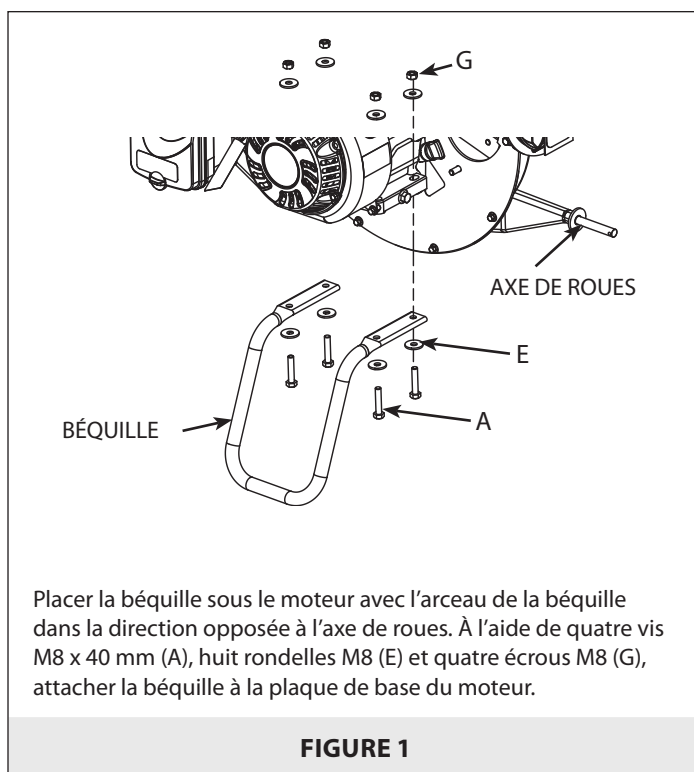
<i>N° de modèle</i>	<b>33968</b>	<b>33964</b>
<i>Capacité de déchiquetage</i>	Env. 7,6 cm (3 po)	Env. 7,6 cm (3 po)
<i>Capacité de broyage</i>	13 mm x 45 cm de long (1/2 po x 18 po)	13 mm x 45 cm de long (1/2 po x 18 po)
<i>Couteaux de déchiquetage</i>	2	2
<i>Fléaux de broyage</i>	2 fléaux en J, 2 fléaux triangulaires	2 fléaux en J, 2 fléaux triangulaires
<i>Taux de réduction des déchets</i>	20:1	20:1
<i>Type de démarreur</i>	Lanceur à rappel	Lanceur à rappel
<i>Matériau du rotor</i>	Acier	Acier
<i>Dimensions de la trémie</i>	42,5 cm x 33,7 cm (16,75 po x 13,25 po)	42,5 cm x 33,7 cm (16,75 po x 13,25 po)
<i>Dimensions du sac</i>	61 cm x 91 cm (24 po x 36 po)	61 cm x 91 cm (24 po x 36 po)
<i>Goulotte à branches</i>	Oui	Oui
<i>Diamètre des pneus</i>	28 cm (11 po)	28 cm (11 po)
<i>Largeur des pneus</i>	5,1 cm (2 po)	5,1 cm (2 po)
<i>Matériau des pneus</i>	Caoutchouc	Caoutchouc
<i>Type de roue</i>	Non pneumatique	Non pneumatique
<i>Poids net</i>	54,9 kg (121 lb)	65,8 kg (145 lb)
<i>Poids brut</i>	59,4 kg (131 lb)	70,3 kg (155 lb)
<i>Dimensions assemblées</i>	645 mm x 759 mm x 1 318 mm (25,4 po x 29,9 po x 51,9 po)	645 mm x 759 mm x 1 318 mm (25,4 po x 29,9 po x 51,9 po)
<i>Dimensions de l'emballage</i>	818 mm x 607 mm x 587 mm (32,2 po x 23,9 po x 23,1 po)	818 mm x 625 mm x 625 mm (32,2 po x 24,6 po x 24,6 po)
<i>Nécessaire d'aspiration</i>	Oui	Oui
<i>Aspiration mesurée</i>	5 kPa (20 po H <sub>2</sub> O)	5 kPa (20 po H <sub>2</sub> O)
<i>Clapet d'air d'aspiration</i>	Oui	Oui
<i>Diamètre du rotor</i>	35,6 cm (14 po)	35,6 cm (14 po)
<i>Système de sac à attache rapide</i>	Oui	Oui
<i>ANSI</i>	Oui	Oui

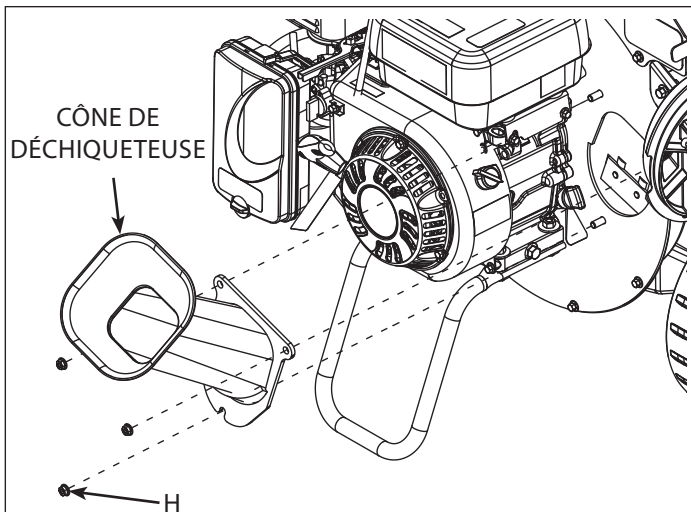
## DÉBALLAGE ET ASSEMBLAGE

### CONTENU DU CARTON D'EMBALLAGE

#### MOTOCULTEUR

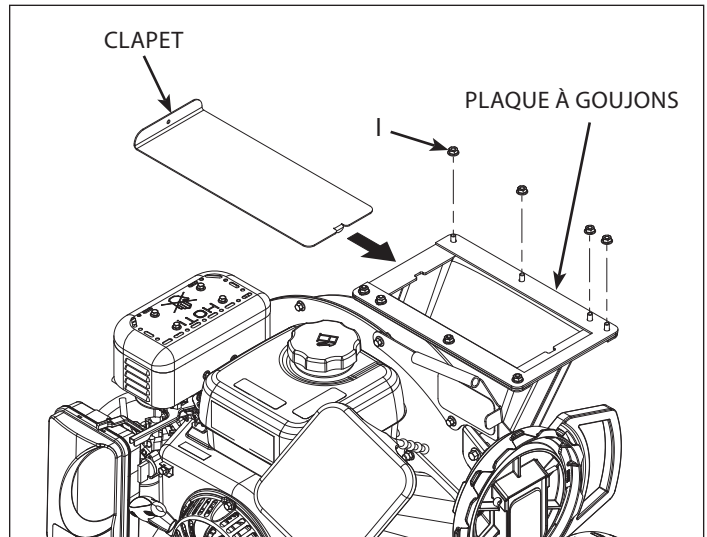
- Sachet de documentation :
  - Sachet de pièces :
    - A - (4) Vis M8 x 40 mm (33968)
    - (4) Vis M10 x 50 mm (33964)
    - B - (4) Vis M8 x 20 mm
    - D - (2) Rondelles 12 x 24 mm
    - E - (12) Rondelles M8 (33968)
    - (4) Rondelles M8 (33964)
    - (8) Rondelles M10 (33964)
    - G - (8) Écrous M8 (33968)
    - (4) Écrous M8 (33964)
    - (4) Écrous M10 (33964)
    - H - (3) Écrous autobloquants M8
    - I - (8) Écrous M6
- Couvercle de cône
- Sac collecteur
- (2) Roues
- Trémie
- Bride de fixation de sac
- Bidon d'huile moteur 4 temps
- Cône
- Déchiqueteuse
- Guidon
- Béquille
- Protège-trémie
- Tige-support de sac





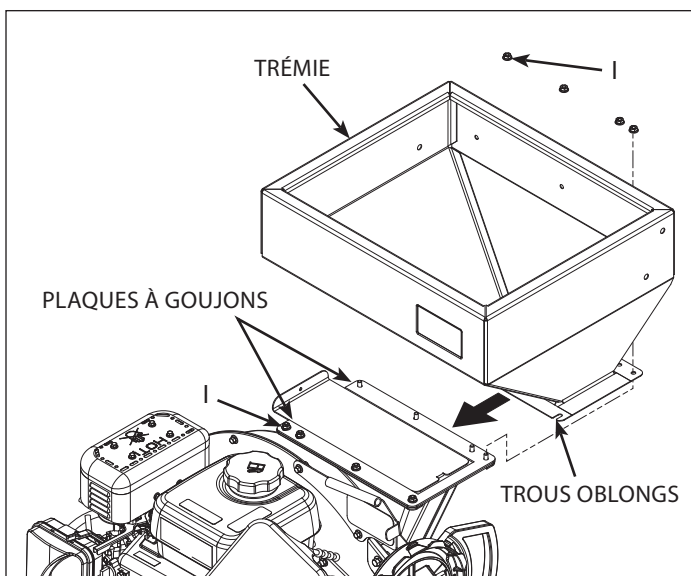
Placer le cône de déchiqueteuse sur les trois goujons filetés M8 x 1,25 po qui dépassent de la plaque du moteur et l'attacher avec trois écrous autobloquants M8 (H). Pivoter le cône et sa base à l'écart du moteur de telle façon que le cône ne touche pas le moteur. Serrer fermement les trois écrous autobloquants M8 (H).

FIGURE 3



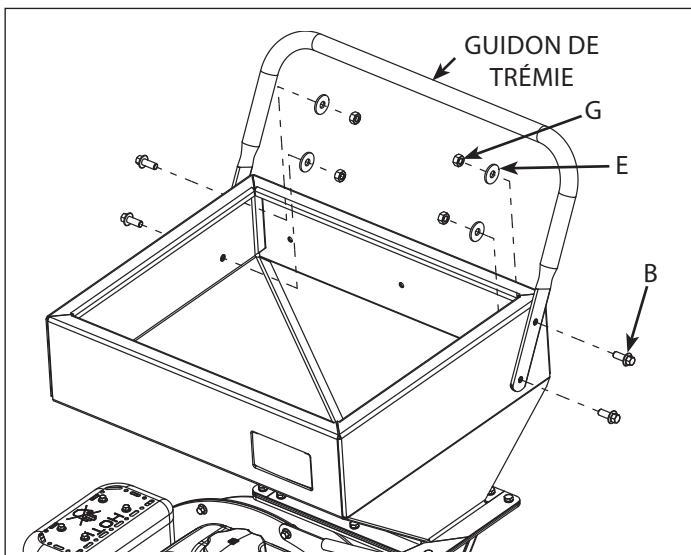
Retirer les quatre écrous M6 (I) arrière et mettre les écrous et la plaque à goujons arrière de côté. Desserrer les quatre écrous M6 (I) avant. **Remarque : Il n'est pas nécessaire de les retirer.** Poser le clapet entre les plaques à goujons comme sur l'illustration.

FIGURE 4



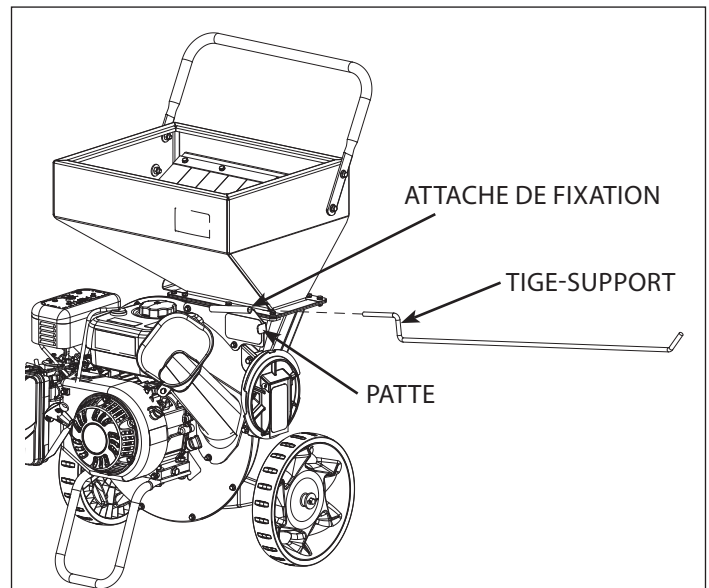
Pour poser la trémie, engager les trous oblongs à l'avant de la trémie sur les quatre goujons de la plaque à goujons avant sous les quatre écrous M6 (I) desserrés précédemment. Remonter la plaque à goujons arrière et les quatre écrous M6 (I) qui avaient été retirés précédemment (Figure 4). Serrer les huit écrous M6 (I).

FIGURE 5



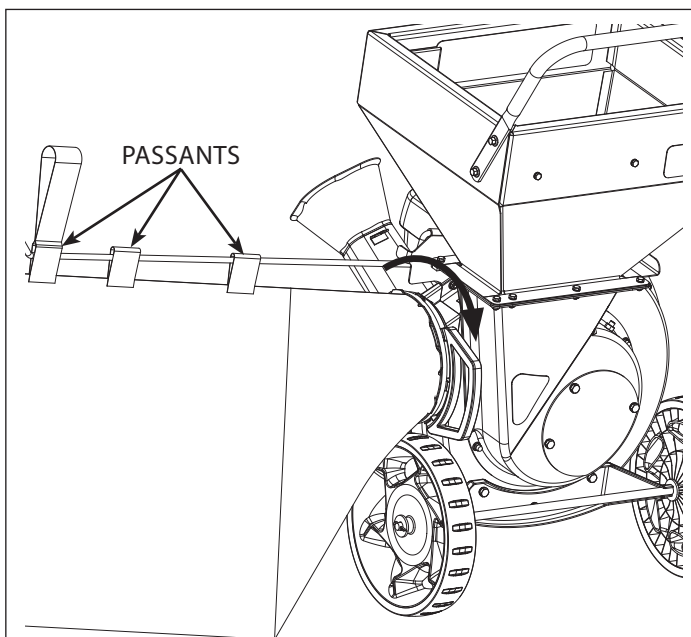
Tenir le guidon de trémie de façon à aligner les trous extérieurs du guidon sur les trous de la trémie et attacher avec quatre vis M8 x 20 mm (B), quatre rondelles M8 (E) et de quatre écrous M8 (G). Enfiler les vis par l'extérieur de la trémie.

**FIGURE 6**



Engager la tige-support dans l'attache de fixation. Faire pivoter la tige de telle façon qu'elle se trouve sous la patte avant de l'attache.

**FIGURE 7**



Enfiler les passants du sac collecteur sur la tige-support. Attacher la bride de fixation du sac à la déchiqueteuse en la faisant tourner jusqu'à ce qu'elle soit enclenchée.

**FIGURE 8**

## UTILISATION

Veiller bien à lire toute l'information de la section Sécurité et utilisation avant d'essayer de faire fonctionner cette machine. Veiller à se familiariser avec toutes les commandes et avec la façon d'arrêter la machine.

Vérifier le serrage de toute la visserie (vis, écrous, etc.) avant chaque utilisation pour s'assurer que la machine est en état de marche sécuritaire.

Lors du démarrage et de la mise à l'arrêt, il peut se produire un bruit métallique causé par le positionnement des fléaux triangulaires et les fléaux en J sur le rotor. Cela est normal. Si ce bruit continue après que la machine a atteint son plein régime, s'adresser au revendeur ou à Earthquake pour faire contrôler la machine. La surcharge de la machine réduirait sa durée de service et peut provoquer des pannes mécaniques.

## FONCTIONNEMENT DE LA DÉCHIQUETEUSE

La déchiqueteuse est conçue pour accepter des branchages et branches d'arbre ayant jusqu'à 7,6 cm (3 po) de diamètre environ. Les couteaux de déchiquetage permettent aussi de réduire des matières organiques épaisses comme les tiges de maïs. Les branches d'arbre doit être introduites dans le cône de déchiqueteuse par le gros côté d'abord. Comme des effets de recul occasionnels sont possibles, veiller à toujours se tenir à l'écart sur le côté de la machine. Laisser l'action d'alimentation naturelle de la machine tirer les branches vers l'intérieur.

## FONCTIONNEMENT DE LA BROYEUSE

La broyeuse est conçue pour réduire les broussailles légères, les feuilles et autres déchets organiques mous mais volumineux. À mesure que la matière (pas plus de 13 mm [1/2 po] de diamètre) est chargée dans la trémie, elle est entraînée vers les fléaux triangulaires et en J par le flux d'air.

## EMPLACEMENT D'UTILISATION

Choisir une surface de terre ou d'herbe ferme et de niveau. Ne pas faire fonctionner sur des surfaces humides ou glissantes, ni à proximité d'autres personnes. Placer et organiser les matières à réduire de façon à ne pas devoir passer devant les ouvertures de chargement ou d'éjection et à avoir suffisamment d'espace pour travailler en toute sécurité.

## COMPLÉTER LE NIVEAU D'HUILE

Voir l'information sur l'ajout d'huile dans le manuel du moteur.

## FAIRE LE PLEIN DE CARBURANT

1. Ouvrir le bouchon du réservoir. (*Voir Caractéristiques et commandes*)
2. Faire le plein du réservoir. Ne pas trop remplir. Laisser suffisamment d'espace dans le réservoir pour la dilatation du carburant. Voir les carburants recommandés dans le manuel du moteur.
3. Remettre le bouchon du réservoir en place et le serrer à la main.



## DANGER

⚠ L'ÉCHAPPEMENT DE CE PRODUIT CONTIENT DU MONOXYDE DE CARBONE GAZEUX. LE MONOXYDE DE CARBONE EST UN GAZ INODORE, INCOLORE ET SANS SAVEUR QUI PEUT PROVOQUER DES ÉTOURDISSEMENTS, NAUSÉES, PERTE DE CONSCIENCE, VOIRE MÊME DES LÉSIONS CÉRÉBRALES ET LA MORT EN CAS D'INHALATION PENDANT DES PÉRIODES PROLONGÉES.

⚠ UTILISER LA MACHINE À L'EXTÉRIEUR DANS UN ENDROIT BIEN AÉRÉ. TENIR LES ENFANTS, ANIMAUX ET AUTRES PERSONNES À L'ÉCART.



## AVERTISSEMENT

⚠ POUR ÉCARTER LES RISQUES DE BLESSURES GRAVES PAR LES LAMES DE COUPE EN ROTATION, GARDER LES MAINS HORS DE L'OUVERTURE DE CHARGEMENT LORSQUE LA MACHINE EST EN MARCHÉ.

⚠ L'ESSENCE EST TRÈS INFLAMMABLE ET DOIT ÊTRE MANIPULÉE AVEC PRÉCAUTION. NE JAMAIS REMPLIR LE RÉSERVOIR ALORS QUE LE MOTEUR EST ENCORE CHAUD APRÈS AVOIR FONCTIONNÉ. NE PAS PERMETTRE DE FLAMMES NUES, DE CIGARETTES OU D'ALLUMETTES À PROXIMITÉ. NE PAS TROP REMPLIR ET ESSUYER TOUT DÉVERSEMENT ACCIDENTEL.

⚠ NE PAS UTILISER D'ESSENCE CONTENANT DU MÉTHANOL, D'ESSENCE-ALCOOL CONTENANT PLUS DE 10 % D'ÉTHANOL, D'ADDITIFS POUR ESSENCE OU D'ESSENCE POUR BATEAU CAR CELA PEUT ENDOMMAGER LE MOTEUR ET LE CIRCUIT DE CARBURANT.

## IMPORTANT

LE MOTEUR EST EXPÉDIÉ DE L'USINE SANS HUILE. VEILLER À FAIRE LE PLEIN D'HUILE MOTEUR AVANT DE DÉMARRER LE MOTEUR.

## DÉMARRER LE MOTEUR

1. Voir les instructions de démarrage dans le manuel du moteur.
2. S'assurer que le moteur tourne à plein régime avant de procéder au déchiquetage. Sur certains moteurs, la commande des gaz n'est pas réglable.

## ARRÊTER LE MOTEUR

Voir les instructions de mise à l'arrêt dans le manuel du moteur.

## RÉDUCTION DES MATIÈRES

Les conseils ci-dessous permettront de traiter efficacement la majorité des matières à réduire.

## CONSEILS DE DÉCHIQUETAGE :

- Élaguer les branches le long de la branche maîtresse pour

faciliter leur introduction dans le cône de déchiqueteuse.

- Pour réduire les grandes branches d'arbre dures et sèches qui résistent au déchiquetage, les tourner progressivement en les introduisant et les retirant d'un mouvement de va-et-vient.
- Si la matière à déchiqueter est extrêmement dure, produits des reculs violents lorsqu'on l'introduit dans le cône de déchiqueteuse ou est difficile à maîtriser, la sortir immédiatement et la mettre de côté.
- Si une force importante est nécessaire pour introduire les matières dans la déchiqueteuse, c'est que les lames doivent probablement être affûtées. Voir la section Dépannage et réparation de ce manuel ou s'adresser à un concessionnaire agréé.
- Maintenir le contrôle des matières durant leur chargement pour les empêcher de fouetter librement.
- Ne pas introduire de petits morceaux de matière dans le cône de déchiqueteuse à la main. Utiliser un plus gros morceau de matière pour les engager dans le cône de déchiqueteuse.

- Ne jamais utiliser un quelconque objet pour pousser les matières de force dans la chambre de broyage. Il pourrait être pris dans les fléaux de broyage et endommager la machine.

#### **CONSEILS DE BROYAGE :**

- Ne pas surcharger la déchiqueteuse en plaçant de gros volumes de matières dans l'ouverture de trémie.
- Charger en alternance des matières humides et sèches pour éviter d'engorger l'éjection.

UTILISATION	TYPE DE DÉCHET ADMISSIBLE	LIMITES DIMENSIONNELLES	REMARQUES
Broyage	Matières organiques sèches ou humides, notamment feuilles, plantes, fleurs, fruits ou légumes.	Branches et brindilles jusqu'à 13 mm (1/2 po) de diamètre et 45 cm (18 po) de longueur.	Broyer ou déchiqueter les déchets verts humides en alternance avec des déchets secs pour éviter d'obstruer la goulotte d'éjection. Charger à un débit d'alimentation qui permet au rotor de suivre la cadence et de maintenir une vitesse élevée.
Déchiquetage	Branches d'arbre longues et épaisses ou petits fagots de petits bâtons regroupés pour faciliter leur manipulation.	Branchages et branches d'arbre ou fagots de petits bâtons groupés pour en faciliter la manipulation. Diamètre maximal d'environ 7,6 cm (3 po).	Les branches d'arbre volumineuses devront être élaguées le long de la branche maîtresse. Toujours utiliser un morceau de bois court pour pousser le bout des branches dans le cône de déchiqueteuse. Ne jamais mettre les mains dans le cône de déchiqueteuse. Ne jamais déchiqueter des matières très dures ou sèches telles que du bois d'œuvre séché au séchoir (2x4, etc.) ou d'autres matériaux de construction. Ne jamais utiliser la déchiqueteuse pour réduire des produits en bois imprégnés sous pression.
Accessoire d'aspiration (en option)	Déchets secs et légers en vrac tels que feuilles, tontes de gazon ou sciure de bois.	Matières de petite taille ne pouvant pas obstruer le tuyau d'aspiration.	L'aspirateur est conçu pour les petits déchets en vrac et pour le nettoyage des parterres de fleurs et aménagements paysagers. Les brindilles, les feuilles mouillées et autres matières volumineuses peut colmater le tuyau ou obstruer la chambre de broyage.



## TRANSPORT ET ENTREPOSAGE

- Toujours observer des pratiques sécuritaires de remplissage et de manipulation du carburant lorsqu'on refait le plein de la machine après son transport ou son entreposage.
- Ne jamais entreposer la machine (avec du carburant) dans une structure fermée mal aérée. Les vapeurs de carburant peuvent se propager jusqu'à une source d'inflammation (chaudière, chauffe-eau, etc.) et provoquer une explosion. Les vapeurs de carburant sont également toxiques pour les personnes et les animaux.
- Toujours utiliser le guidon de trémie et les roues intégrées pour déplacer la broyeuse-déchiqueteuse. Ne jamais soulever la machine par le réservoir de carburant. Si la machine doit être soulevée, toujours le faire à au moins deux personnes et toujours saisir fermement la machine par la béquille avant et le guidon de trémie.
- Toujours suivre les instructions du manuel du moteur concernant les préparatifs au remisage avant d'entreposer la machine pour de courtes ou de longues durées.
- Toujours suivre les instructions du manuel du moteur concernant les procédures correctes de démarrage lorsqu'on remet la machine en service.
- Ne jamais entreposer la machine ou un récipient de carburant à l'intérieur en présence d'une flamme nue ou d'une veilleuse, telle que dans d'un chauffe-eau. Laisser le moteur refroidir avant de ranger la machine.

## ENTREPOSAGE

Suivre les mesures d'entretien et d'entreposage figurant dans le manuel de l'utilisateur du moteur. Cela comprend notamment la vidange du circuit de carburant ou l'ajout de stabilisateur sur le carburant.

**REMARQUE :** Ne pas entreposer une machine contenant de l'essence dans une structure fermée. (Voir Feux d'essence et manipulation sécuritaire du carburant)

## AVANT DE DÉMARRER LA MACHINE APRÈS QU'ELLE A ÉTÉ ENTREPOSÉE :

1. Vérifier tous les niveaux de liquides. Contrôler tous les éléments à entretenir.
2. Effectuer tous les contrôles et procédures recommandés figurant dans le manuel de l'utilisateur du moteur.
3. Laisser le moteur chauffer pendant plusieurs minutes avant de l'utiliser.



### AVERTISSEMENT

**⚠ DANGER D'AMPUTATION. POUR ÉVITER LES BLESSURES GRAVES PROVOQUÉES PAR UN DÉMARRAGE ACCIDENTEL, TOUJOURS DÉBRANCHER LE CÂBLE DE LA BOUGIE ET L'ATTACHER À L'ÉCART DE LA BOUGIE LORS DE L'ENTRETIEN DE LA MACHINE.**

## ENTRETIEN

### CALENDRIER ET PROCÉDURES

Le calendrier ci-dessous doit être suivi pour assurer l'entretien normal de la machine.

SÉCURITÉ	AVANT CHAQUE UTILISATION.	TOUTES LES 5 HEURES	TOUTES LES 25 HEURES	PRINTEMPS ET AUTOMNE
Vérifier le serrage de la visserie		x		x
Vérifier toutes les étiquettes de sécurité				x
ENTRETIEN DE LA DÉCHIQUETEUSE	AVANT CHAQUE UTILISATION.	TOUTES LES 5 HEURES	TOUTES LES 25 HEURES	PRINTEMPS ET AUTOMNE
Nettoyer les débris du moteur et de la déchiqueteuse. **	x			
Contrôle/rotation des fléaux de broyage			x	
Contrôle/rotation des couteaux de déchiquetage			x	

\*\* Plus souvent par temps chaud (au-dessus de 30 °C / 85 °F) ou dans des conditions d'exploitation poussiéreuses.

## ENTRETIEN DU MOTEUR

Voir l'information sur l'entretien du moteur dans le manuel du moteur inclus dans le sachet de documentation. Le manuel du moteur fournit des instructions et un calendrier d'entretien pour l'exécution des tâches suivantes :

1. Vérifier le niveau d'huile avant chaque utilisation ou toutes les 8 heures d'utilisation.
2. Changer l'huile au bout des premières 5 à 8 heures d'utilisation. Changer l'huile alors que le moteur est chaud. Refaire le plein avec une huile neuve de grade recommandé.
4. Contrôler la bougie chaque saison ou toutes les 100 heures d'utilisation.
5. Effectuer l'entretien de l'épurateur d'air.
6. Maintenir la propreté du moteur et des pièces.
7. Contrôler le serrage de la visserie du moteur et de la machine souvent et la maintenir bien serrée.

## VÉRIFIER LE SERRAGE DE LA VISSERIE

*Intervalle d'entretien : Toutes les 5 heures; chaque printemps et automne.*

Contrôler la machine, en vérifiant le bon serrage de la visserie et des pièces. Accorder une attention particulière à la visserie de fixation du cône de déchiqueteuse, de la trémie, de l'axe des roues et de la béquille avant.

## VÉRIFIER LES ÉTIQUETTES DE SÉCURITÉ

*Intervalle d'entretien : Chaque printemps et automne.*

Vérifier que les étiquettes de sécurité sont en place et intactes. Changer tous les autocollants endommagés ou manquants.

## CONTRÔLER LE CÔNE, LA TRÉMIE ET LES CARTERS DE PROTECTION

*Intervalle d'entretien : Chaque printemps et automne.*

Vérifier que le cône de déchiqueteuse, la trémie de broyeuse et les carters de protection de la goulotte d'éjection sont en place, en bon état et solidement fixés. Changer toutes les pièces endommagées ou manquantes.

## NETTOYER LES DÉBRIS DU MOTEUR ET DE LA DÉCHIQUETEUSE

*Intervalle d'entretien : Avant chaque utilisation et toutes les 100 heures.*

Le moteur nécessite un flux d'air pour son refroidissement et pour la combustion. Avant chaque utilisation, nettoyez tous les débris de la machine, en particulier au niveau du capot d'admission d'air, du filtre à air et du silencieux. Toutes les 100 heures, démontez le capot d'admission d'air du moteur et nettoyez tous les débris des ailettes de refroidissement du moteur. **VOIR FIGURE 10.** Nous recommandons de confier cette opération d'entretien à un centre de réparation agréé.

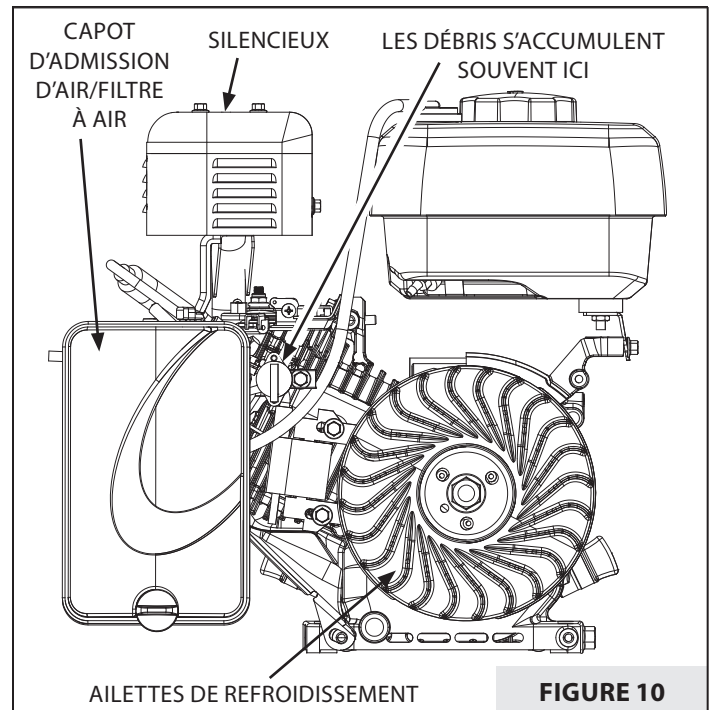
## CONTRÔLE ET ROTATION DES FLÉAUX DE BROYAGE

*Intervalle d'entretien : Toutes les 25 heures ou s'il y a lieu.*

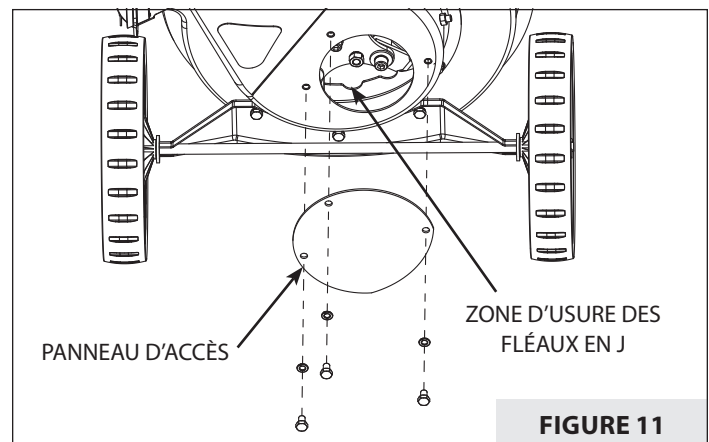
La rotation des fléaux de broyage de la machine permet de fournir une nouvelle surface de coupe s'il y a lieu. Les fléaux triangulaires peuvent faire l'objet de deux rotations, puis être retournés pour un total de 6 surfaces de coupe aiguisées. Les fléaux en J peuvent être retournés une fois. Pour contrôler les fléaux de broyage :

1. Débrancher le câble de bougie et l'attacher à l'écart de la bougie. **VOIR FIGURE 14** (à la page 19).
2. Retirer le petit panneau d'accès circulaire de l'arrière du carter de broyeuse. **VOIR FIGURE 11.**
3. Contrôler les arêtes tranchantes des fléaux triangulaires et des fléaux en J. **VOIR FIGURES 11 ET 12.**

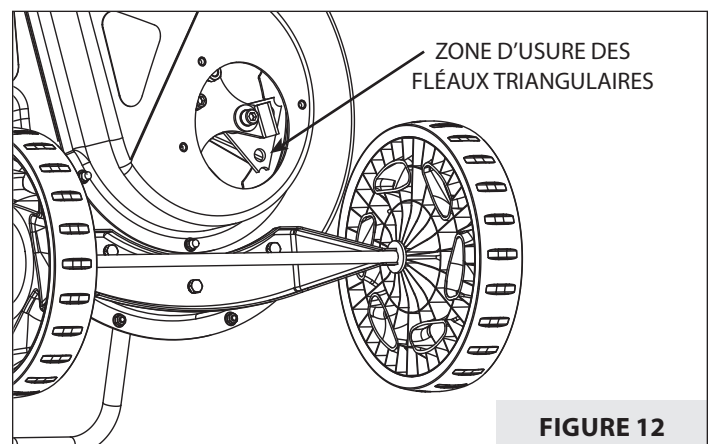
Pour effectuer la rotation des fléaux de broyage ou les changer, voir la section Dépannage et réparation.



**FIGURE 10**



**FIGURE 11**



**FIGURE 12**

## CONTRÔLE DES COUTEAUX DE DÉCHIQUETAGE

*Intervalle d'entretien : Toutes les 25 heures ou s'il y a lieu.*

La rotation ou l'affûtage des fléaux de broyage de la machine permet de fournir une nouvelle surface de coupe s'il y a lieu. Lors de l'inspection des couteaux, faire preuve de précaution pour éviter de toucher les arêtes tranchantes. Pour contrôler les couteaux de déchiquetage :

1. Débrancher le câble de bougie et l'attacher à l'écart de la bougie. **VOIR FIGURE 14.**
2. Retirer les écrous de fixation du cône de déchiqueteuse sur l'avant de la déchiqueteuse. Déposer le cône de déchiqueteuse pour accéder aux couteaux. **VOIR FIGURE 13.**
3. Tirer lentement sur le cordon du lanceur pour faire tourner le rotor jusqu'à une position où les lames sont visibles.

Pour affûter ou changer les couteaux de déchiquetage, voir la section Dépannage et réparation.

## VÉRIFIER ET CHANGER LE FILTRE À AIR DU MOTEUR

*Intervalle d'entretien : Toutes les 25 heures*

L'épurateur d'air du moteur doit être ouvert, contrôlé et l'élément filtrant changé toutes les 25 heures ou selon les besoins en cas d'accumulation de débris à l'intérieur.

Pour changer le filtre à air, voir le manuel de moteur.

## CHANGER LA BOUGIE

S'adresser à un centre de réparation agréé pour effectuer cette opération.

## ENTRETIEN DE L'HUILE

Voir l'entretien de l'huile dans le manuel du moteur.

## ⚠ ATTENTION

⚠ POUR LA SÉCURITÉ DE L'UTILISATEUR ET POUR OPTIMISER LA DURÉE DE SERVICE DU MOTEUR, IL EST ESSENTIEL DE PRENDRE LE TEMPS DE VÉRIFIER L'ÉTAT DU MOTEUR. LES PROBLÈMES DOIVENT ÊTRE CORRIGÉS AVANT UTILISATION

⚠ ÉVITER LES BLESSURES! L'HUILE MOTEUR EST DANGEREUSE POUR LA SANTÉ. ÉLIMINER L'HUILE COMME IL SE DOIT. L'AMENER À UNE DÉCHETTERIE OU UN CENTRE DE RECYCLAGE PRÉVU À CET EFFET.

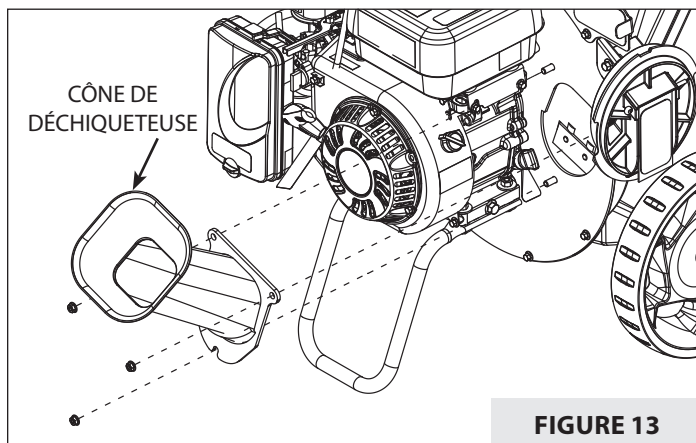


FIGURE 13

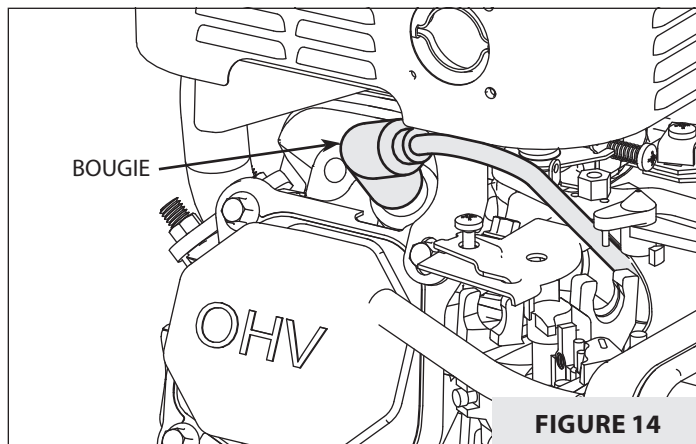


FIGURE 14

## DÉPANNAGE

Si un soin normal et l'entretien courant contribueront à étendre la durée de service de la machine, une utilisation intensive ou constante peut finir par nécessiter des réparations pour lui permettre de continuer à fonctionner correctement.

Le guide de dépannage ci-dessous présente les problèmes les plus courants, leurs causes et leurs solutions.

Les pages suivantes fournissent les instructions nécessaires pour effectuer soi-même ces réparations et réglages mineurs ou les faire effectuer par un centre de réparation agréé.

PROBLÈME	CAUSE	SOLUTION
<b>Le moteur ne démarre pas.</b>	<ol style="list-style-type: none"> <li>1. Panne de carburant.</li> <li>2. Câble de bougie débranché.</li> <li>3. Commandes du moteur mal réglées.</li> <li>4. Bougie encrassée.</li> <li>5. Pas de compression. Le lanceur à cordon se tirer sans résistance.</li> <li>6. Pas d'étincelle. Problèmes d'allumage.</li> <li>7. Essence vieille ou viciée.</li> </ol>	<ol style="list-style-type: none"> <li>1. Faire le plein de carburant.</li> <li>2. Rebrancher le câble de bougie comme indiqué dans le manuel du moteur.</li> <li>3. Voir DÉMARRAGE dans le manuel du moteur.</li> <li>4. Retirer la bougie. La nettoyer/changer comme indiqué dans le manuel du moteur.</li> <li>5. Consulter un centre de réparation agréé.</li> <li>6. Consulter un centre de réparation agréé.</li> <li>7. Consulter un centre de réparation agréé.</li> </ol>
<b>L'échappement du moteur est noir.</b>	<ol style="list-style-type: none"> <li>1. Filtre à air sale</li> <li>2. Volet de départ fermé.</li> </ol>	<ol style="list-style-type: none"> <li>1. Changer le filtre à air. Voir le manuel du moteur.</li> <li>2. Ouvrir le volet de départ.</li> </ol>
<b>Le moteur tourne mais aucune matière n'est éjectée.</b>	<ol style="list-style-type: none"> <li>1. Goulotte d'éjection obstruée.</li> <li>2. Le moteur ne tourne pas à plein régime.</li> </ol>	<ol style="list-style-type: none"> <li>1. Nettoyer les débris.</li> <li>2. Régler la commande des gaz sur RAPIDE le cas échéant. Moteurs à commande des gaz fixe, voir le centre de réparation agréé.</li> </ol>
<b>Forte vibration des branches durant le déchiquetage.</b>	<ol style="list-style-type: none"> <li>1. Couteaux de déchiquetage émoussés.</li> <li>2. Branches d'arbre extrêmement dure ou desséchées.</li> </ol>	<ol style="list-style-type: none"> <li>1. Affûter ou changer les couteaux de déchiquetage.</li> <li>2. La matière ne convient pas pour le déchiquetage.</li> </ol>
<b>Bruits ou vibrations inhabituels durant le déchiquetage.</b>	<ol style="list-style-type: none"> <li>1. Surcharge de matières pour le moteur.</li> <li>2. Fléaux cassés, déformés ou lâches.</li> <li>3. Fléaux grippés.</li> </ol>	<ol style="list-style-type: none"> <li>1. Laisser la machine se désengorger d'elle-même avant d'ajouter de la matière dans la trémie.</li> <li>2. Vérifier l'ensemble. Réparer ou changer comme il se doit.</li> <li>3. Voir s'il y a des obstructions et des débris. Réparer ou changer comme il se doit.</li> </ol>

## RÉPARATION

### DÉPOSE DU ROTOR

**REMARQUE :** Il n'est pas nécessaire de déposer le rotor pour changer les fléaux et les couteaux. Toutefois, le démontage et le remontage des fléaux sont plus faciles à effectuer si le rotor est déposé.

**REMARQUE :** Si la machine comporte des vis à tête six pans creux sans plaquette-frein, la visserie doit être remise à niveau à l'aide d'un nouveau nécessaire de visserie.

Pour démonter le rotor de l'arbre d'entraînement :

1. Arrêter le moteur et attendre l'arrêt complet de toutes les pièces en mouvement.
2. Débrancher le câble de bougie et l'attacher à l'écart de la bougie. **VOIR FIGURE 15.**
3. Détacher le carter de rotor et la trémie de la plaque du rotor. **VOIR FIGURE 16.**
4. Déplier les languettes latérales pour dégager la vis de fixation centrale et retirer la vis.
5. Avec précaution, retirer la plaque de rotor, la douille d'espacement et la clavette du vilebrequin. **VOIR FIGURE 17.**

### DÉMONTAGE ET REMONTAGE DES FLÉAUX

**REMARQUE :** Les arêtes tranchantes des fléaux de broyage peuvent finir par s'user et nécessiter une rotation des fléaux ou leur remplacement une fois que toutes les arêtes sont émoussées.

**REMARQUE :** Les fléaux triangulaires peuvent faire l'objet de deux rotations une fois que la première arête est émoussée, puis retournés une fois avant une nouvelle rotation, pour un total de six arêtes. Les fléaux en J peuvent être retournés une fois pour un total de deux arêtes tranchantes.

1. Pour démonter les fléaux, déplier d'abord les languettes de plaquette-frein de façon à dégager la tête hexagonale des vis de fixation des fléaux. Retirer la vis. **VOIR FIGURES 18 ET 19** (page suivante).

**REMARQUE :** Noter l'ordre d'assemblage de la visserie utilisée pour attacher les fléaux.

2. Contrôler les fléaux, les pièces d'espacement et la visserie. Si une douille d'espacement présente des signes d'usure, la changer. Contrôler et retourner ou changer les fléaux. La plaquette-frein doit toujours être changée lors de la rotation ou du remplacement des fléaux.
3. Contrôler les fléaux, les pièces d'espacement, la plaquette-frein et les vis. Serrer les vis à un couple de 41 à 47 Nm (30 à 35 pi-lb). Le fléau en J sur le côté opposé au rotor est tourné vers l'extérieur pour assurer une rotation équilibrée. Deux des faces de la tête de vis doivent être parallèles aux languettes de la plaquette-frein.

**REMARQUE :** Il est conseillé d'utiliser du frein-filet de haute résistance sur les vis de fixation.

### ⚠ AVERTISSEMENT

⚠ **RISQUE DE COUPURE. POUR ÉCARTER LE RISQUE BLESSURE GRAVE, ÉVITER DE TOUCHER LES BORDS TRANCHANTS AIGUISÉS DES COUTEAUX DE DÉCHIQUETAGE.**

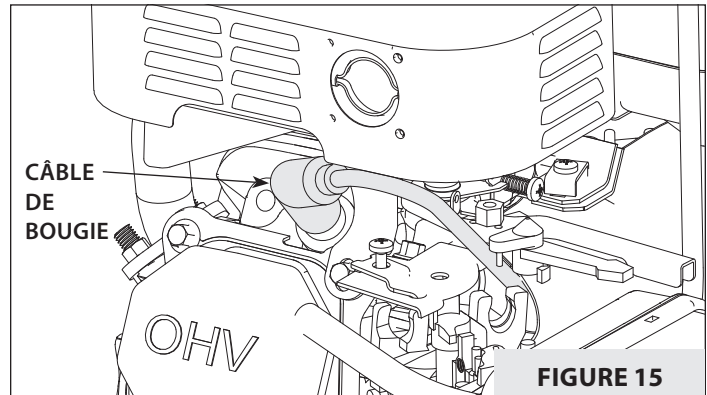


FIGURE 15

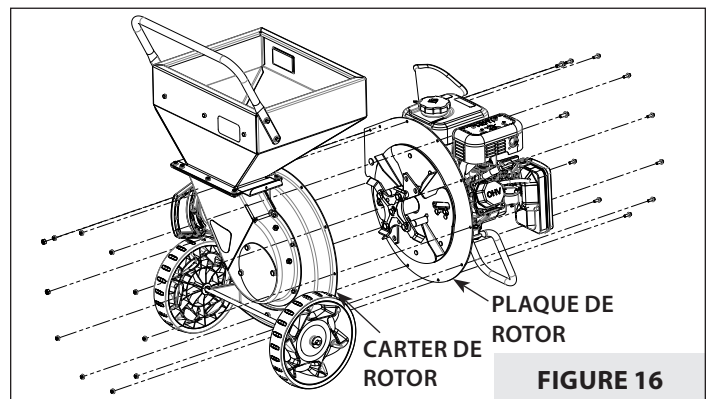


FIGURE 16

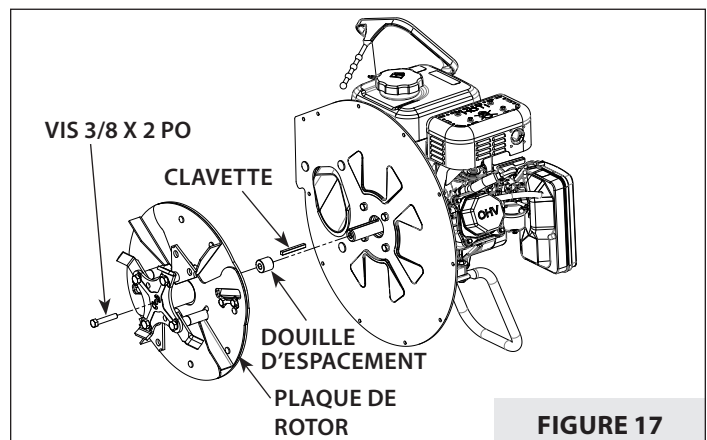


FIGURE 17

- Plier les languettes de la plaquette-frein de façon à bloquer la vis et empêcher sa rotation. Les languettes doivent appuyer à plat sur une face de la tête de vis. **VOIR FIGURE 18.**
- Répéter pour tous les fléaux.

## DÉMONTAGE ET REMONTAGE DES COUTEAUX DE DÉCHIQUETAGE

*Pour contrôler ou changer les couteaux de déchiquetage :*

- Déplier les languettes de plaquette-frein des vis de fixation des couteaux de déchiquetage.
- Retirer les deux vis et le couteau de déchiquetage. **VOIR FIGURE 20.**
- Contrôler ou changer le couteau de déchiquetage.
- Remonter le couteau de déchiquetage et serrer les vis à un couple de 24 à 27 Nm (18 à 20 pi-lb). Vérifier que le couteau appuie bien à plat contre la butée qui a été formée dans le rotor. Si ce n'est pas le cas, les couteaux fonctionnent comme s'ils étaient extrêmement émoussés. Toujours utiliser des plaquettes-freins neuves lors du remontage des couteaux. Deux des faces de la tête de vis doivent être parallèles aux languettes de la plaquette-frein.

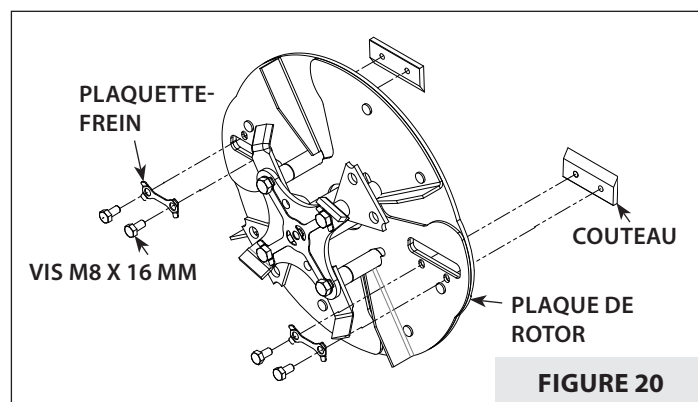
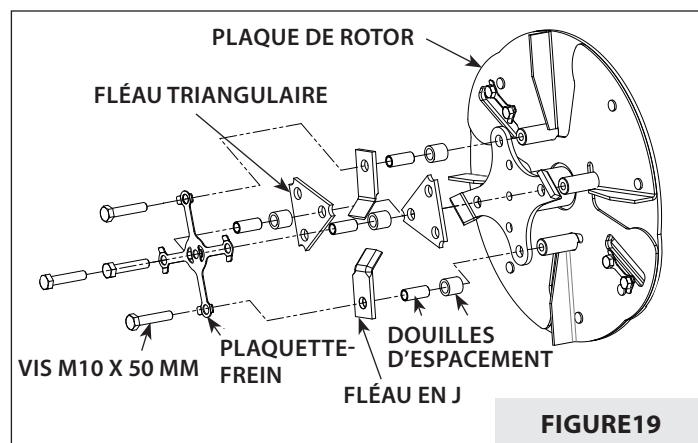
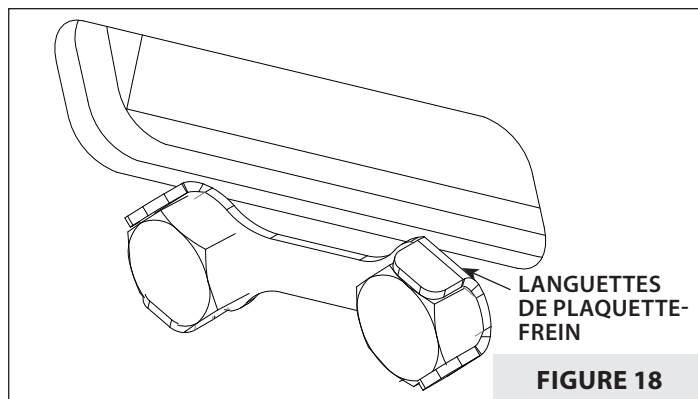
*Remarque : Il est conseillé d'utiliser du frein-filet de haute résistance sur les vis de fixation.*

- Plier les languettes de la plaquette-frein de façon à empêcher la rotation de la vis. Les languettes doivent appuyer à plat sur une face de la tête de vis. **VOIR FIGURE 18.**


## MONTER LE ROTOR SUR LE VILEBREQUIN

*Pour monter le rotor sur le vilebrequin :*

- Remettre le rotor en place sur le vilebrequin en veillant à remonter la douille d'espacement et la clavette. **VOIR FIGURE 17.**
- Serrer la vis de fixation à un couple de 41 à 47 Nm (30 à 35 pi-lb).
- Plier les languettes de la plaquette-frein de façon à bloquer la vis de fixation et empêcher sa rotation. Les languettes doivent appuyer à plat sur la face de la tête de vis.
- Remonter le carter de rotor et la trémie. **VOIR FIGURE 16.**







**Earthquake<sup>®</sup>**

**ARDISAM, INC.**  
1160 Eighth Avenue  
PO Box 666  
Cumberland, WI 54829 États-Unis

Téléphone : (800) 345-6007  
Télécopieur : (715) 822-2124  
[www.GetEarthquake.com](http://www.GetEarthquake.com)