

Mesh Deck

OWNER'S MANUAL



WARNING:

Read carefully and understand all **ASSEMBLY AND OPERATION INSTRUCTIONS** before operating. Failure to follow the safety rules and other basic safety precautions may result in serious personal injury.

MODEL # FTF-456MD

Thank you very much for choosing this product! For future reference, please complete the owner's record below:

Model: FTF-456MD Purchase Date: _____

Save the receipt, warranty, and these instructions. It is important that you read the entire manual to become familiar with this product before you begin using it.

This product is designed for certain applications only. The manufacturer cannot be responsible for issues arising from modification. We strongly recommend this product not be modified and/or used for any application other than that for which it was designed. If you have any questions relative to a particular application, DO NOT use the product until you have first contacted us to determine if it can, or should, be performed on the product.

For technical questions, please call **1-218-943-6296**.

TECHNICAL SPECIFICATIONS

Dimensions	54 1/2" x 72 1/2"
Material	Steel

IMPORTANT SAFETY INFORMATION



WARNING: Read and understand all instructions. Failure to follow all instructions listed below may result in serious injury.



CAUTION: Do not allow persons to operate or assemble this mesh deck until they have read this manual and have developed a thorough understanding of how it works.



WARNING: The warnings, cautions, and instructions discussed in this instruction manual cannot cover all possible conditions or situations that could occur. It must be understood by the operator that common sense and caution are factors that cannot be built into this product, but must be supplied by the operator.

SAVE THESE INSTRUCTIONS

WORK AREA

- **Keep work area clean**, free of clutter, and well lit. Cluttered and dark work areas can cause accidents.
- **Keep children and bystanders** away while operating the mesh deck. Distractions can cause you to lose control, so visitors should remain at a safe distance from the work area.
- **Be alert of your surroundings.** Using a mesh deck in confined work areas may put you dangerously close to sharp tools and rotating parts.

PERSONAL SAFETY

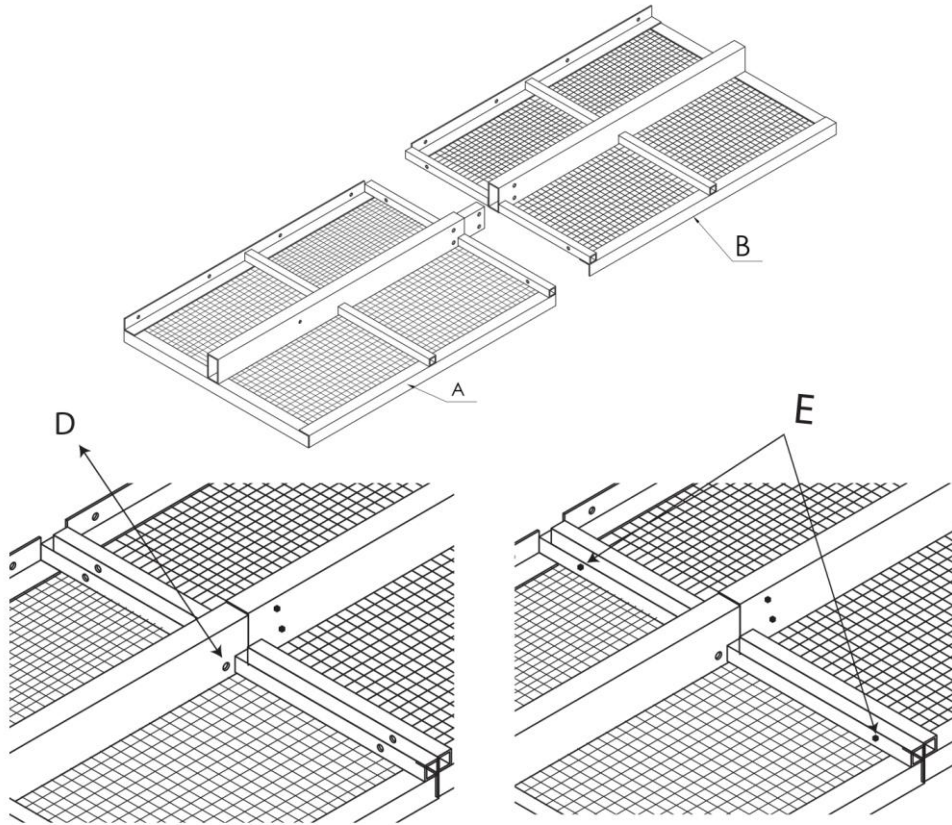
- **Stay alert**, watch what you are doing, and use common sense when using a mesh deck. Do not use while you are tired or under the influence of drugs, alcohol, or medication. A moment of inattention while operating a mesh deck may result in serious personal injury.
- **Dress properly.** Do not wear loose clothing, dangling objects, or jewelry. Keep your hair, clothing, and gloves away from moving parts. Loose clothes, jewelry, or long hair can be caught in moving parts.
- **Use safety apparel and equipment.** Use safety goggles or safety glasses with side shields that comply with current national standards or, when needed, a face shield. Use a dust mask if working in dusty work conditions. This applies to all persons in the work area. Also use non-skid, safety shoes, hardhat, heavy-duty work gloves, dust collections systems, and hearing protecting when appropriate.
- **Do not have passengers** on the tow vehicle when pulling the mesh deck.
- **Do not turn too short when pulling the** mesh deck. Turning too short can result in the mesh deck catching a tire and possibly injuring the operator.

MESH DECK USE AND CARE

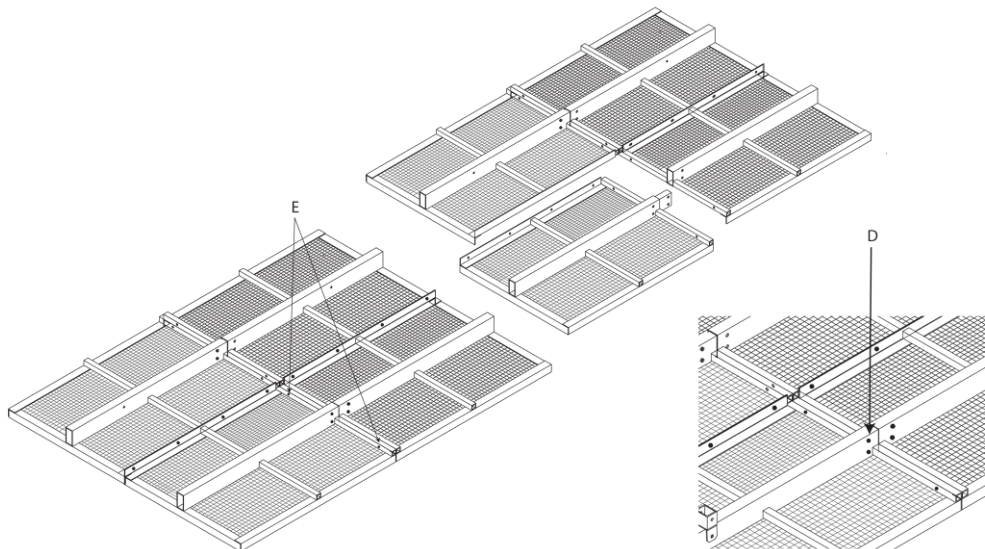
- **Do not modify the mesh deck in any way.** Unauthorized modification may impair the function and/or safety and could affect the life of the equipment. There are specific applications for which the mesh deck was designed.
- **Always check for damaged or worn-out parts before using the mesh deck.** Broken parts will affect mesh deck operation. Replace or repair damaged or worn parts immediately.
- **Store idle mesh deck.** When the mesh deck is not in use, store it in a secure place out of the reach of children. Inspect it for good working condition prior to storage and before re-use.

ASSEMBLY

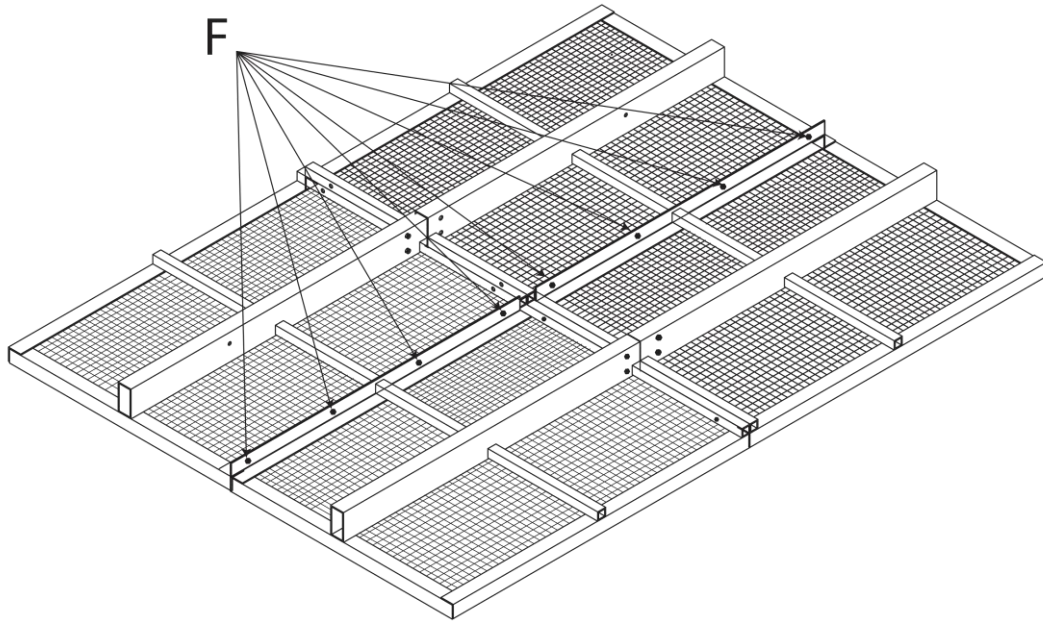
Step 1 | Connect mesh section (B) Male to female mesh section (A) with 2 sets of M10x55mm bolts in area (D) and 2 sets of M10x65mm in area (E) (bed cross bar connection). Do Not tighten hardware at this point.



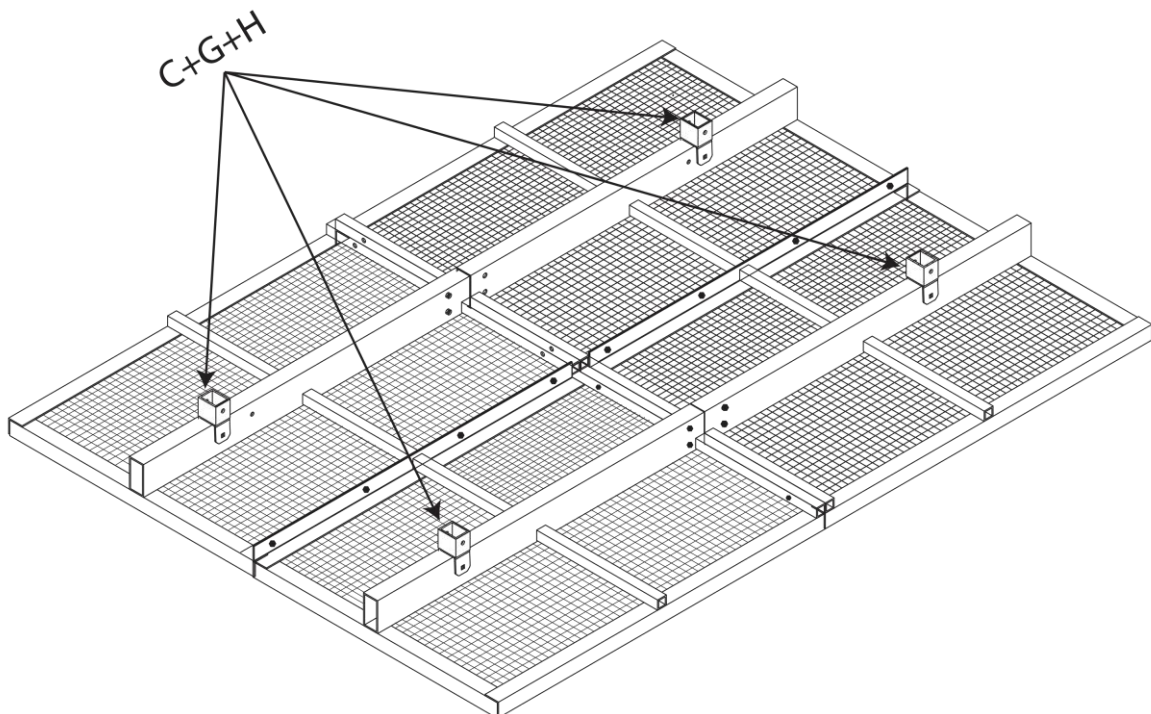
Step 2 | Repeat same process with remaining sections. Do not tighten hardware at this point.



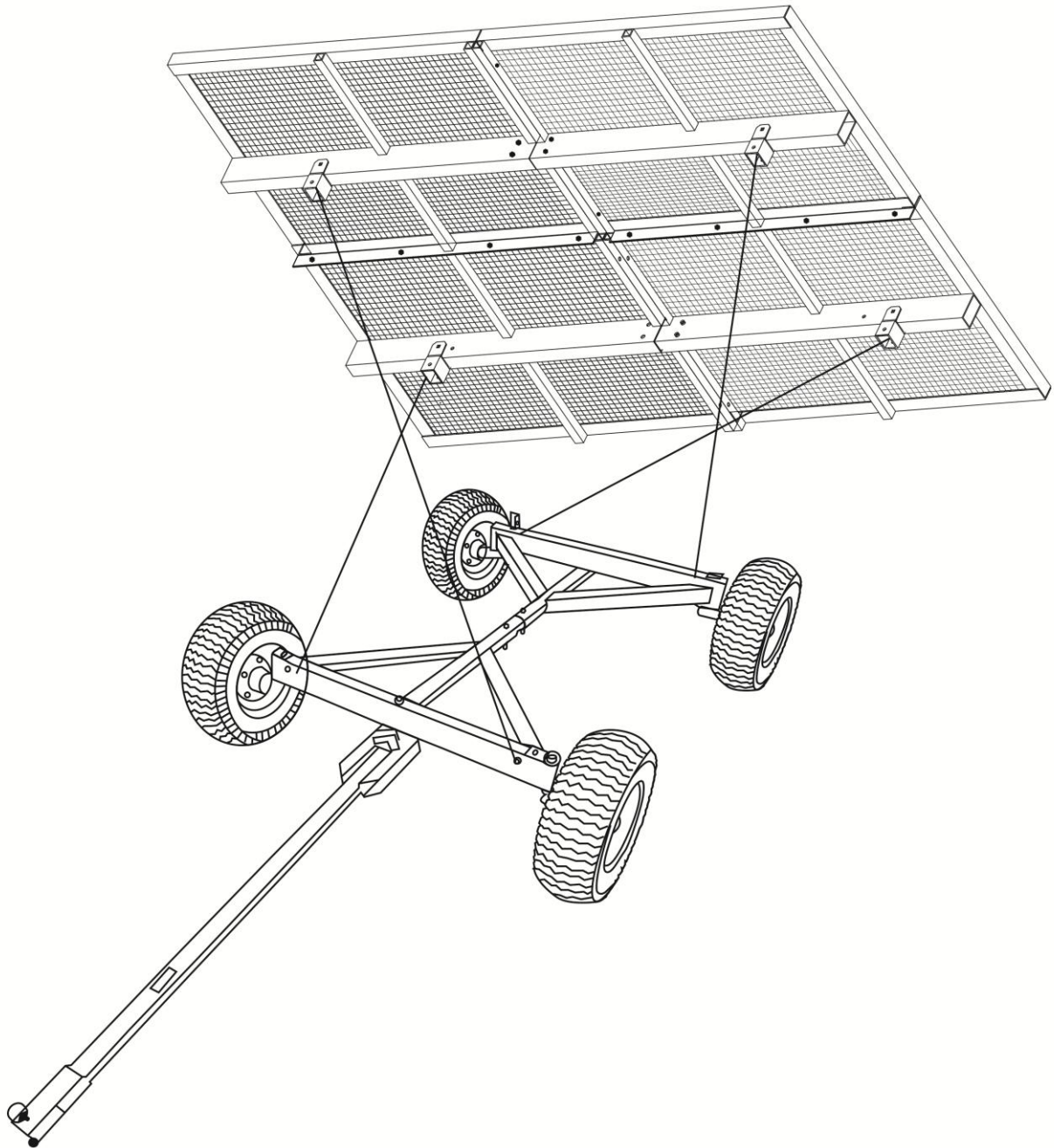
Step 3 | Assemble the 2 halves with 8 sets of M10x20mm bolts/nuts in area (F). Do not tighten hardware at this point.



Step 4 | Attach the 4pcs frame connector parts (C) with 4 sets M8x65mm bolts/nuts to the bed beam (G); then pre-assemble one M8 x 65 (H) bolt/nut to each frame connector for connecting the bed to the cart frame. Do not tighten the hardware at this point.



Step 5 | To connect the assembled mesh deck to your utility cart frame (FTF-2200UW or ATV-2200HSH), attach the 4pcs frame connector parts (C) using the 4 sets of pre-assemble M8 x 65 (H) bolt/nut to the brackets located on the cart frame as shown in below illustration. Tighten all hardware when complete.

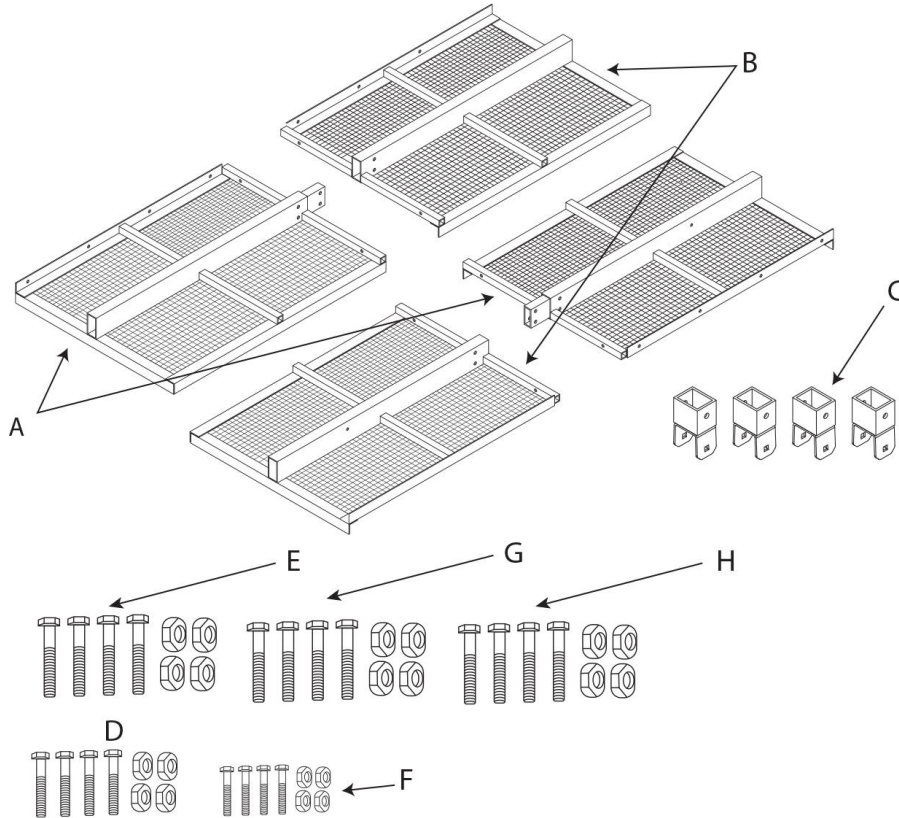


MAINTENANCE

- Tighten all nuts before/after each use.

PARTS LIST:

Part #	Description	Qty.
A	Male bed Mesh	2
B	Female Bed Mesh	2
C	Frame Connector	4
D	M10 x 55mm bolts/nuts (for bed beam connection)	4
E	M10 x 65mm bolts/nuts (for bed cross bar connection)	4
F	M10 x 20mm bolts/nuts (for bed halves connection)	8
G	M8 x 65mm bolts/nuts (for frame connectors connection)	4
H	M8 x 65mm bolts/nuts (pre-assembled on frame connectors)	4



For technical questions, please call **1-218-943-6296**.

WARRANTY

One-year limited parts warranty.



TG

PO BOX 203

Miltona, MN 56354

Made in China