



DRYWALL PANEL LIFT

OWNER'S MANUAL



WARNING:

Carefully read and understand all **ASSEMBLY AND OPERATION INSTRUCTIONS** before operating. Failure to follow the safety rules and other basic safety precautions may result in serious personal injury.

Model # LCI-812

Thank you very much for choosing this product! For future reference, please complete the owner's record below:

Model: _____ LCI-812 _____ Purchase Date: _____

Save the receipt, the warranty, and these instructions. It is important that you read the entire manual to become familiar with this product before you begin using it.

This product is designed for certain applications only. The manufacturer cannot be responsible for issues arising from modification. We strongly recommend that this product not be modified and/or used for any application other than that for which it was designed. If you have any questions relative to a particular application, DO NOT use the product until you have first contacted us to determine if it can, or should, be performed on the product.

For technical questions, please call 1-218-943-6296.

INTENDED USE

The Drywall Panel Lift allows a single-person to lift drywall panels.

TECHNICAL SPECIFICATIONS

Item	Description
Capacity	150 lbs
Construction	Steel
Drywall Panel Dimensions	Lift up to 4' x 16'
Maximum Lift Height	11'

GENERAL SAFETY RULES



WARNING: Read and understand all instructions. Failure to follow all instructions listed below may result in serious injury.



CAUTION: Do not allow persons to operate or assemble this Drywall Panel Lift until they have read this manual and have developed a thorough understanding of how the Drywall Panel Lift works.



WARNING: The warnings, cautions, and instructions discussed in this instruction manual cannot cover all possible conditions or situations that could occur. It must be understood by the operator that common sense and caution are factors that cannot be built into this product, but must be supplied by the operator.

SAVE THESE INSTRUCTIONS

WORK AREA

- **Keep work area clean**, free of clutter, and well lit. Cluttered and dark work areas can cause accidents.
- **Keep children and bystanders** away while operating a Drywall Panel Lift. Distractions can cause you to lose control, so visitors should remain at a safe distance from the work area.
- **Be alert of your surroundings.** Using a Drywall Panel Lift in confined work areas may put you dangerously close to sharp tools and rotating parts.

PERSONAL SAFETY

- **Stay alert**, watch what you are doing, and use common sense when using a Drywall Panel Lift. Do not use a Drywall Panel Lift while you are tired or under the influence of drugs, alcohol, or medication. A moment of inattention while operating a Drywall Panel Lift may result in serious personal injury.
- **Dress properly.** Do not wear loose clothing, dangling objects, or jewelry. Keep your hair, clothing, and gloves away from moving parts. Loose clothes, jewelry, or long hair can be caught in moving parts.
- **Use safety apparel and equipment.** Use safety goggles or safety glasses with side shields that comply with current national standards or, when needed, a face shield. Use a dust mask if working in dusty work conditions. This applies to all persons in the work area. Also use non-skid, safety shoes, hard hats, gloves, dust collection systems, and hearing protection when appropriate.

Drywall Panel Lift USE AND CARE

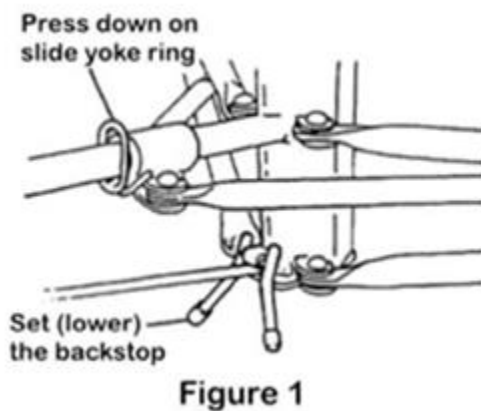
- **Do not modify the Drywall Panel Lift in any way.** Unauthorized modification may impair the function and/or safety and could affect the life of the equipment. There are specific applications for which the Drywall Panel Lift was designed.
- **Always check for damaged or worn-out parts before using the Drywall Panel Lift.** Broken parts will affect the Drywall Panel Lift operation. Replace or repair damaged or worn parts immediately.
- **Do not exceed the Drywall Panel Lift load capacity.**
- **Distribute the load evenly.** Uneven loads may cause the Drywall Panel Lift to tip, resulting in personal injury to the operator or others.
- **Use the Drywall Panel Lift on flat and level surfaces** capable of supporting the Drywall Panel Lift and its maximum load. Pulling or pushing a load on a slanted or uneven surface can result in loss of control.
- **Store idle Drywall Panel Lift.** When Drywall Panel Lift is not in use, store it in a secure place out of the reach of children. Inspect it for good working condition prior to storage and before re-use.

Additional Warnings

- **ALWAYS** read and understand the manual.
- **Always check for damaged or worn-out parts before using the Drywall Panel Lift.** Pay special attention to the cable.
- **ALWAYS** all the lift to reach working room temperature before use, moving a cold unit into a warm room can cause condensation which could affect the operation of the winch brake.
- **ALWAYS** be sure the brake drum is clean and dry before operating.
- **Do not exceed the Drywall Panel Lift load capacity.**
- **NEVER** use the lift if either crossarm support is not secured by its locking spring tab.
- **ALWAYS** watch for overhead obstructions when using the lift.
- **NEVER** lift more than one sheet of drywall at a time.

ASSEMBLY

1. Set up the tripod base:
 - a. Set the base on the floor, resting on its casters.
 - b. Press down on the slide yoke ring. Hold the ring down while you swing the two forward legs out until the yoke ring snaps into the locking hole on the bottom of the slide tube. (See Figure 1)



- c. To prevent the tripod base from rolling backward during assembly, lower the backstop as shown.
2. Set the frame assembly onto the two “V” angles on the tripod base, and lower the frame about 1 in. until it is secured by the angles.
Before continuing, be sure the frame is pushed all the way down and is held securely by the angles.

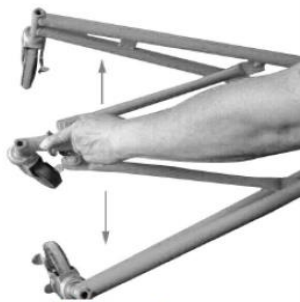


Figure A



Figure B



Figure C

Front Assembled View:



Figure D

3. Attach the handle to the winch wheel. Tighten the nut, then back it off slightly so the handle turns freely.
4. Move the winch assembly into its working position:
 - a. Hold the winch wheel and brake arm as shown in Figure 2. Rotate the winch wheel forward slightly while you lift on the brake.

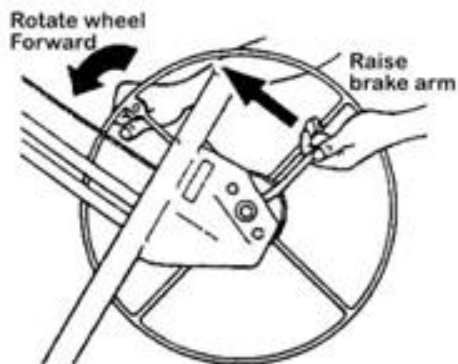


Figure 2

- b. Raise the brake arm all the way up. Grasp the winch post, and grip the brake arm firmly with your thumb. (Figure 3)

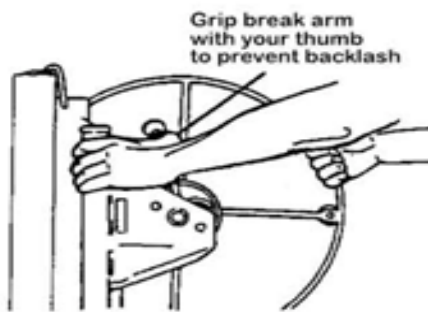


Figure 3

- c. Place your right hand on top of the frame. Continue to grip the brake arm as needed to prevent cable backlash, and pull the winch assembly all the way towards you. (Figure 4)

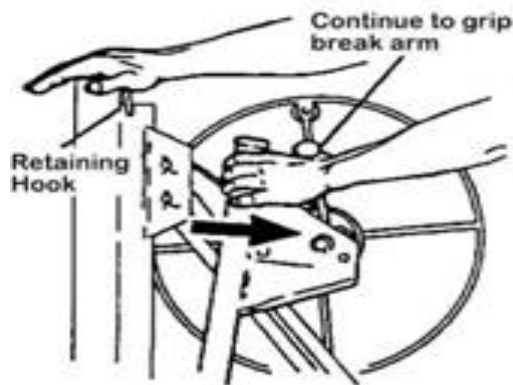


Figure 4

- d. When the winch is fully extended (away from the frame housing), release the brake arm and swing the retaining hook away so it no longer secures the telescoping sections inside the frame housing.
5. Press the winch assembly slightly back toward the frame. This automatically engages the slide bar lock to keep the winch fully extended.(Figure 5)

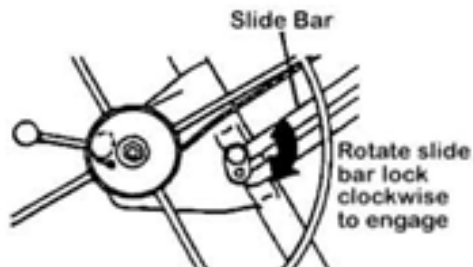
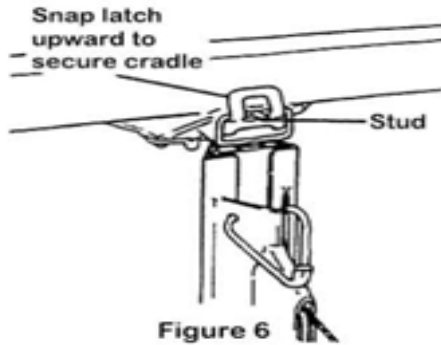


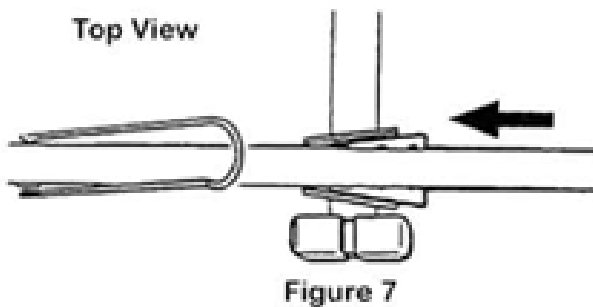
Figure 5

IMPORTANT: Before continuing, be sure that the slide bar lock is fully engaged—that is, rotated clockwise as far as possible.

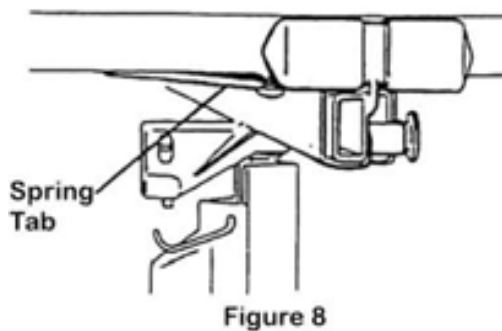
6. Attach the cradle to the frame (Figure 6):
 - a. Insert the cradle's post into the opening on top of the frame.
 - b. Secure the cradle to the frame by snapping the tilt latch upward so it hooks over the stud on the cradle.



7. Attach the crossarms to the cradle
NOTE: The crossarms are interchangeable.
 - a. Slide the tapered plates on the crossarms into the tapered socket on the cradle. (Figure 7)



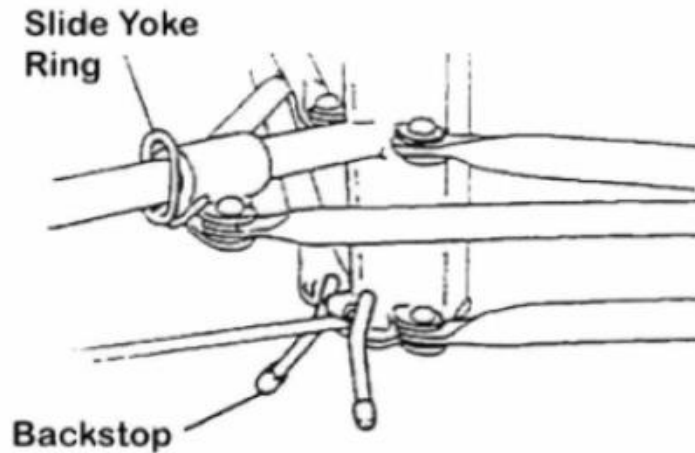
- b. Press each crossarm forward into the socket until the spring tab on the bottom of the crossarm snaps into place.(Figure 8)



Operator Controls

Slide Yoke Ring

Press down on the slide yoke ring to unlatch the two forward legs so they can be rotated out to the Lift's working position or into its storage position. A spring-loaded pin snaps into a hole on the bottom of the slide tube, to lock the folding legs into position.



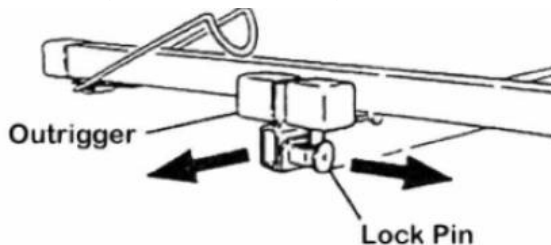
Backstop

Pivot the backstop down to prevent the base from rolling backward, or up to allow the unit to wheel freely.

Outriggers

The outriggers on the crossarms extend for supporting a longer drywall panel.

To extend an outrigger, pull out the lock pin with your right hand until you can slide the outrigger out with your left hand. The lock pin can engage to lock the outrigger at one of three positions: fully retracted; extended 21 in.; or extended 33 in. position.

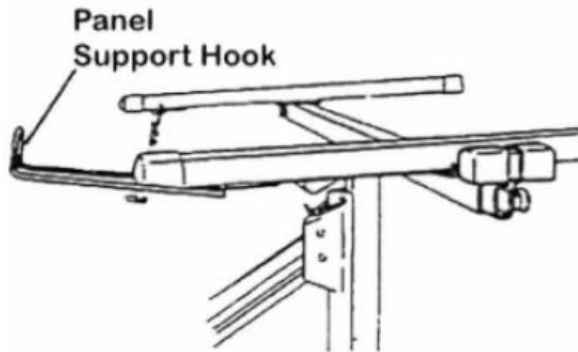


IMPORTANT: Never load a drywall panel or operate the Lift if the lock pins are not engaged at one of these three positions, or if the outriggers are extended beyond the 33-in. position.

To avoid damaging them, always fully retract the outriggers before transporting or storing the Lift.

Panel Support Hooks

Open the support hook on each crossarm to support the drywall panel when it is being loaded, or when the cradle is tilted.



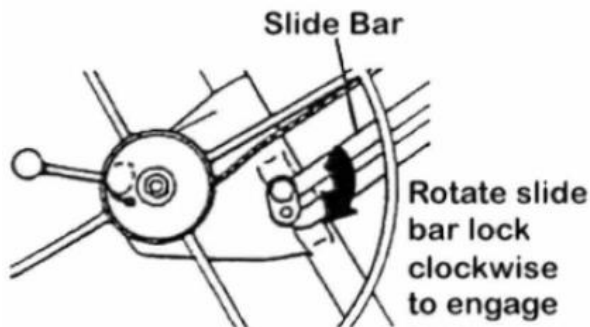
Slide Bar Lock

The slide bar lock holds the winch assembly in its operating (fully extended) position.

To fold the winch assembly against the frame (when disassembling the unit for transport or storage), disengage the lock by turning it counterclockwise as you lift on the slide bar.

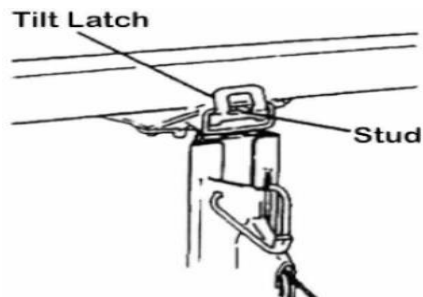
When you reassemble the unit for operation, extending the winch assembly all the way and then pressing it back slightly toward the frame automatically engages the lock.

Never tighten the nut on the slide bar lock, or you will be unable to fold up the unit for transport and storage.



Tilt LATCH

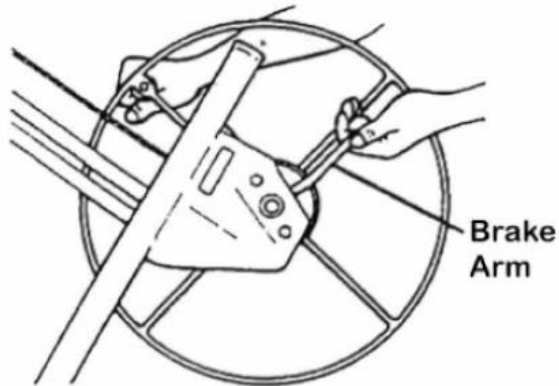
To allow the cradle to tilt (for loading a dry wall panel or for raising the panel to a side wall or sloped ceiling), or to remove the cradle onto the frame without tilting, pivot the latch up to engage the stud on the cradle.



NOTE: When it is in the level (non-tilted) position, the cradle will also tilt up to 10° side-to-side.

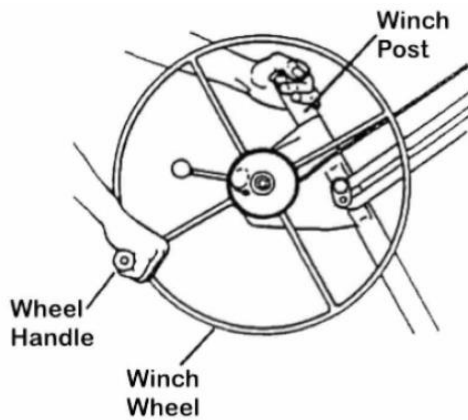
Brake Arm

A spring-loaded brake holds the cradle at whatever height you raise it by cranking the winch wheel. To lower the cradle, control the backward rotation of the brake arm to release the brake.



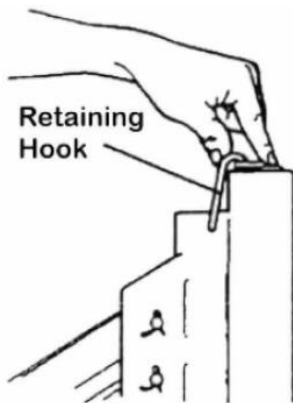
Winch Wheel, Handle, and Post

Cranking the winch (using the wheel handle) coils or uncoils the cable that raises or lowers the cradle. Grasp the post for leverage when cranking the winch.



Retaining Hook

The retaining hook secures the telescoping sections inside the frame, for transport and storage.



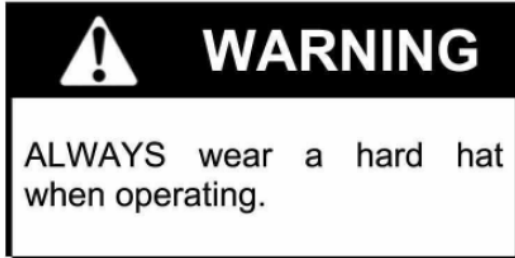
Operating Procedure

IMPORTANT: Read the ENTIRE MANUAL before you operate the Lift.

Safety Check Before Operation

Before you begin operating the Lift each day:

- Inspect the unit carefully for wear or damage. Pay special attention to the cable.
- Be sure the winch brake drum is clean and dry before operating.



To Load a Drywall Panel

1. Set (lower) the backstop, so the Lift won't roll backward

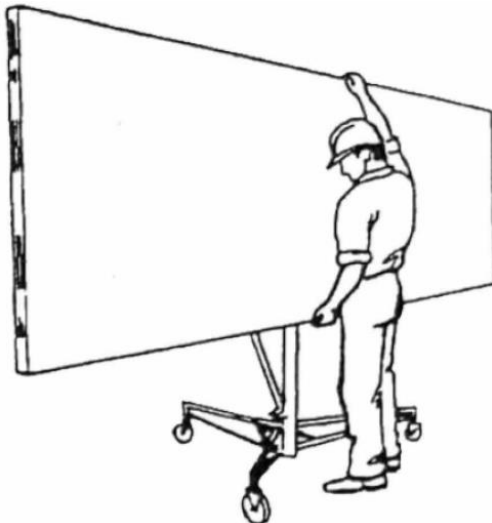


Figure 10

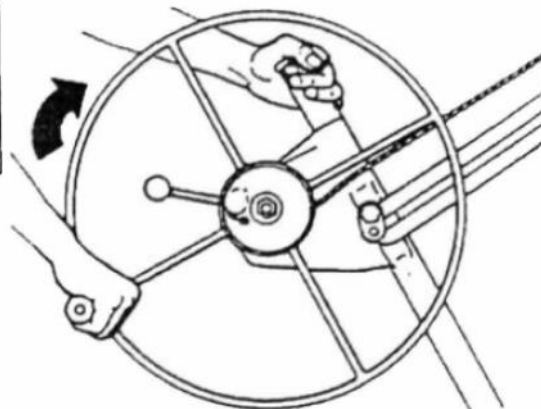


Figure 11

2. Swing open the panel support hooks on the two crossarms. Be sure the cradle is turned so the support hooks are on the opposite side from the winch wheel.
3. Extend the crossarm outriggers on the cradle as needed to fully support the length of the drywall

panel.

4. Release the tilt latch to tilt the cradle.
5. Hold the drywall panel with its face paper toward the tilt cradle, and load the pane onto the Lift as shown. Set the panel onto the support hooks, and carefully lean it against the crossarms.
6. If installing the panel on a flat ceiling, tilt the cradle back up to its level position and lock the tilt latch. If installing the panel on a side wall or a sloped ceiling, leave the cradle tilted.
7. Raise the backstop on the base, and carefully roll the Lift close to the position where the panel will be installed.

To Raise the Panel

IMPORTANT: Always lower the backstop before raising the panel to a sloped ceiling or a side wall. Crank the winch wheel in the direction shown (hold the post for leverage) until the panel is at the desired height. when you stop cranking.



To Lower the Panel

1. Grasp the wheel handle with your right hand so you can restrain the backward rotation of the winch.
2. Retain your hold on the winch handle. Carefully release the brake with your left hand and slowly rotate the wheel backward to lower the cradle to the desired height.

Disassembly and Storage

Always store the drywall lift in a dry, protected area.

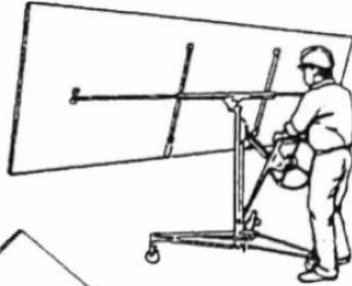


Figure 12

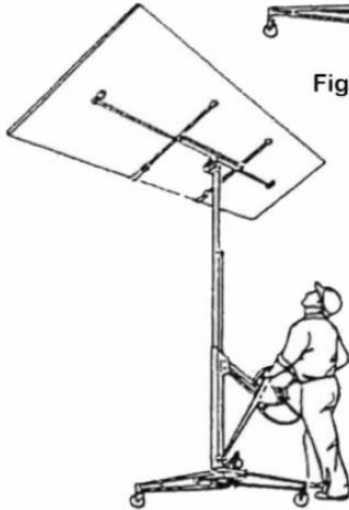
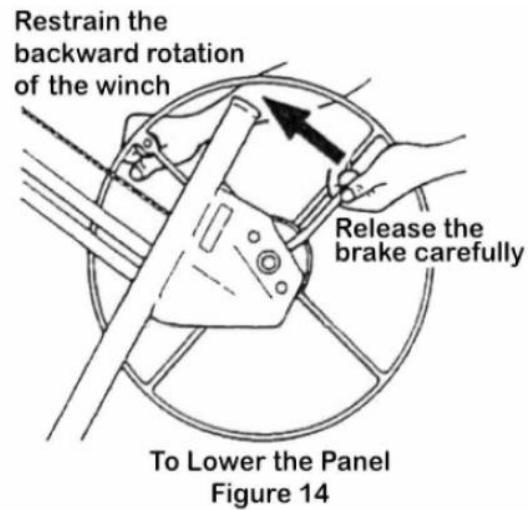


Figure 13



Disassembly

To disassemble the Drywall Lift for transport or compact storage:

1. Crank the cradle outriggers all the way in until they latch.
2. Slide the cradle outriggers all the way in until they latch. Close the panel support hooks.
3. Remove the crossarms by pressing the spring tab on the bottom and sliding the crossarm out of the tapered socket.

4. Unlock the cradle tilt latch. Lift the cradle (about 3 in.) until you can remove it from the frame.
5. Rotate the winch wheel one full rotation forward as shown. This will raise the inner telescoping section.
6. Unlock the winch assembly by lifting the slide bar with your left hand while you rotate the slide bar lock counterclockwise with your right hand.
7. Hold the slide bar lock in this disengaged position (step 6), and press down on the telescoping sections in the frame with your left hand. The winch assembly will move toward the frame housing.
8. Crank the telescoping sections all the way down. Swing up the retaining hooks as shown, and crank the telescoping sections back up slightly until secured by the hook.
9. Hold the retaining hook in this position with your left hand, and rotate the winch forward with your right hand.
The winch assembly will fold up against the frame. When the slide bar contacts the frame, tighten the cable by turning the wheel further (just enough to hold the winch assembly in this position).
10. Carefully lift the frame/winch about 1 in, to free it from the tripod base.
11. To fold the base, press down on the slide yoke ring and pivot the forward legs in until they lock in the closed position.

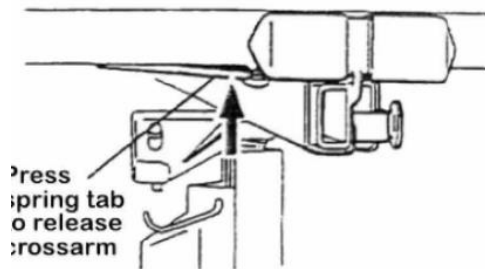


Figure 15

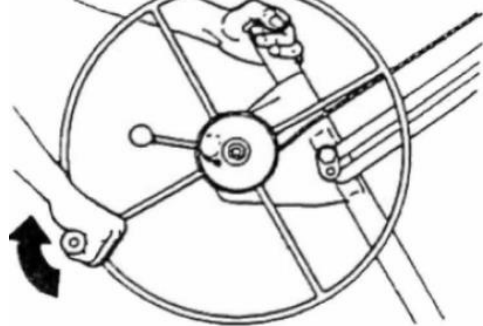


Figure 16

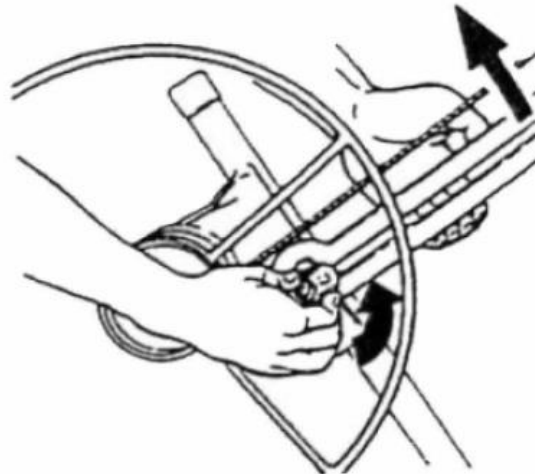


Figure 17

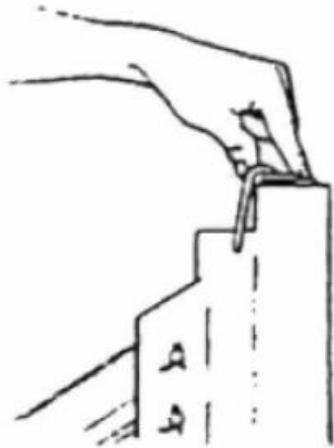


Figure 18

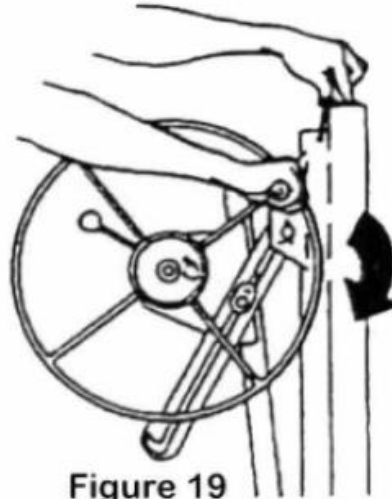
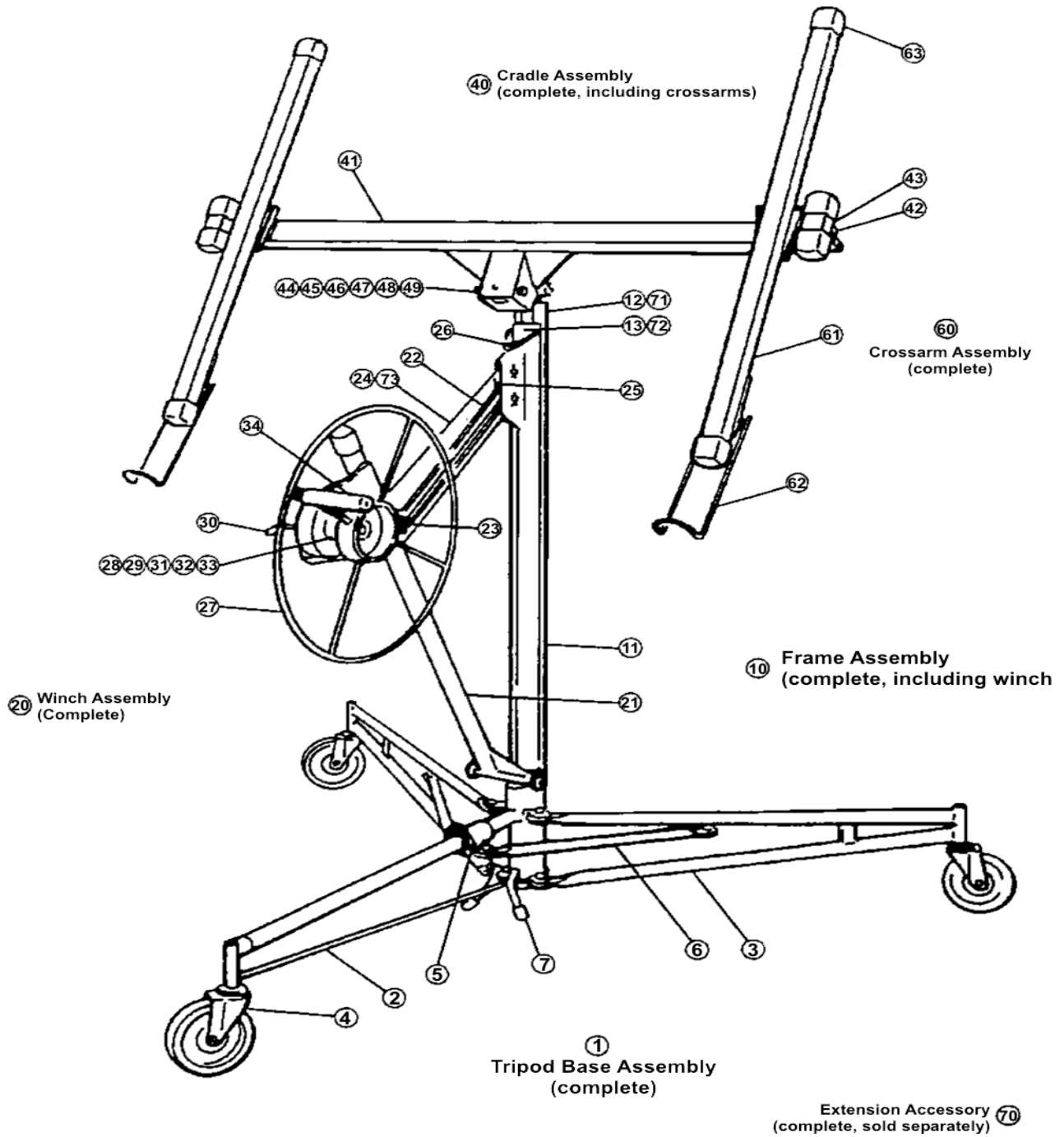


Figure 19

MAINTENANCE

- **Maintain your Drywall Panel Lift.** It is recommended that the general condition of any Drywall Panel Lift be examined before it is used. Keep your Drywall Panel Lift in good repair by adopting a program of conscientious repair and maintenance. If any abnormal vibrations or noise occurs, have the problem corrected before further use. Have necessary repairs made by qualified service personnel.

PARTS DIAGRAM



PARTS DIAGRAM

Part #	Description	Qty	Part #	Description	Qty
1	Tripod Base Assembly (2-7)	1	31	Brake Lining w/Fasteners	1
2	Center Leg w/Fasteners	1	32	Brake Arm Tension Spring	1
3	Outer Leg w/Fasteners	2	33	Brake Hub w/Bolts	1
4	Caster 10cm	3	34	Winch Wheel Handle	1
5	Slide Spring	1	40	Cradle Assembly (41-49)	1
6	Tie Arm w/Fasteners	2	41	Cradle Body	1
7	Rubber Backstop Tip	2	42	Outrigger Lock Pin w/Spring/Clip	2
10	Frame Assembly (11-34)	1	43	Outrigger w/End Caps	2
11	Frame Tube	1	44	Cradle Mounting Assembly	1
12	Inner Frame Tube	1	45	Mounting Head Body	1
13	Outer Frame Tube	1	46	Cradle Tilt Latch w/Fasteners	1
20	Winch Assembly (21-34)	1	47	Tension Spring	1
21	Winch Arm w/Fasteners	1	48	Compression Spring	2
22	Slide Bar w/Axle & Pin	1	49	Hinge Pin w/Bolts	1
23	Slide Bar Lock w/Fasteners	1	60	Crossarm Assembly (61-63)	2
24	Cable 411cm (3.5mm dia)	1	61	Crossarm Body	2
25	Cable Pulley w/Axle & Pin	3	62	Panel Support Lock w/Fasteners	2
26	Retaining Hook	1	63	Crossarm End Cap	2
27	Winch Wheel	1	70	Extension Accessory	1
28	Bushing 2.22cm	1	71	1820cm Inner Telescoping Section	1
29	Bolt M12x125	1	72	1820cm Outer Telescoping Section	1
30	Brake Arm Assembly	1	73	528cm Cable	1

For replacement parts and technical questions, please call **1-218-943-6296**.

WARRANTY

One-year limited parts warranty.



TG
 PO BOX 203
 Miltona, MN 56354
 Made in China