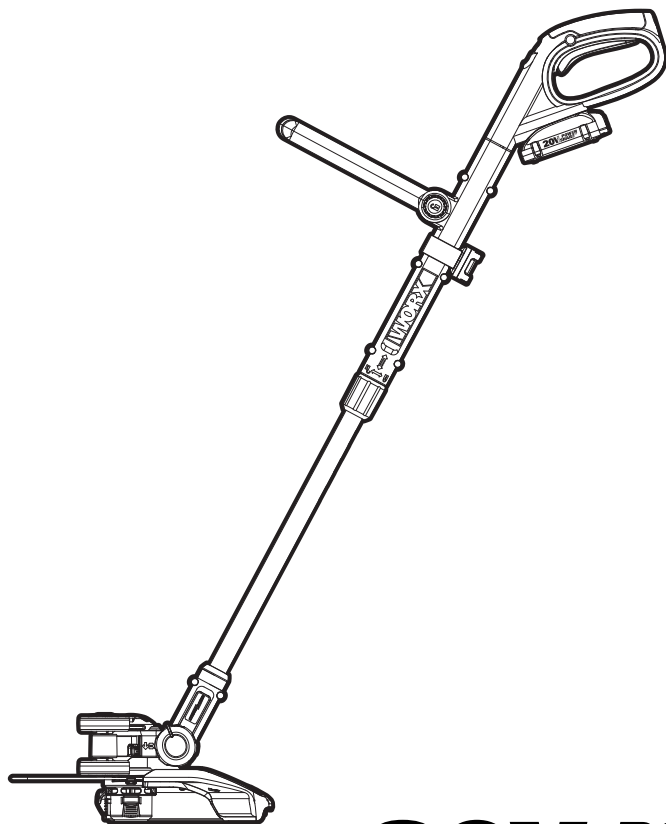


WORX®




20V^{MAX} POWER^{SHARE}™

3 in 1: Trimmer / Edger / Mini mower	EN	P02
3 outils en 1: taille-haie, coupe-bordure, mini-tondeuse à gazon	F	P15
3 en 1: Recortadora / Cortabordes / Minicortadora de césped	ES	P25




HELPLINE NUMBER
NUMERO DU SERVICE D'ASSISTANCE
NUMERO DE LINEA DE AYUDA
1-866-354-WORX (9679)

WG170 WG170.1 WG170.9

 **WARNING: This product can expose you to chemicals including lead, phthalate or bisphenol A which are known to the State of California to cause cancer, birth defects or other reproductive harm. Wash your hands after use. For more information go to www.P65Warnings.ca.gov.**

Important Safety Instructions

 **WARNING: When using cordless gardening appliances, basic safety precautions should always be followed to reduce the risk of fire, electric shock, and personal injury, including the following.**

 **WARNING: Read all instructions**

FOR ALL APPLIANCES

- 1) Avoid Dangerous Environment - Don't use appliances in damp or wet locations.
- 2) Don't Use In Rain.
- 3) Keep Children Away - All visitors should be kept at a distance from work area.
- 4) Dress Properly - Do not wear loose clothing or jewelry. They can be caught in moving parts. Wear protective clothing; use of work gloves, long pants, a long sleeved shirt and substantial footwear is recommended when working outdoors. Wear protective hair covering to contain long hair.
- 5) Use Safety Glasses - Always use face or dust mask if operation is dusty.
- 6) Use Right Appliance - Do not use appliance for any job except that for which it is intended.
- 7) Don't Force Appliance - It will do the job better and with less likelihood of a risk of injury at the rate for which it was designed.
- 8) Don't overreach - Keep proper footing and balance at all times.
- 9) Stay Alert - Watch what you are doing. Use common sense. Do not operate appliance when you are tired.
- 10) Store Idle Appliances Indoors - When not in use, appliances should be stored indoors in dry, and high or locked-up place - out of reach of children.
- 11) Maintain Appliance With Care - Keep cutting edge sharp and clean for best


performance and to reduce the risk of injury. Follow instructions for lubricating and changing accessories. Keep handles dry, clean, and free from oil and grease.

- 12) Check Damaged Parts - Before further use of the appliance, a guard or other part that is damaged should be carefully checked to determine that it will operate properly and perform its intended function. Check for alignment of moving parts, binding of moving parts, breakage of parts, mounting, and any other condition that may affect its operation. A guard or other part that is damaged should be properly repaired or replaced by an authorized service center unless indicated elsewhere in this manual.

FOR ALL BATTERY - OPERATED GARDENING APPLIANCES

1. For all battery-operated gardening appliances:

- a) Do not charge appliance in rain, or in wet locations.
- b) Do not use battery-operated appliance in rain.

 **Always remove or disconnect battery pack before adjusting, cleaning, servicing or transporting the lawn trimmer.**

2. For all battery-operated products employing a detachable or separable battery:

- a) Use only the following type and size battery(ies) for WG170 series: WA3520, WA3525, WA3575, WA3578, WA3577, WA3641.
- b) Do not dispose of the battery(ies) in a fire. The cell may explode. Check with local codes for possible special disposal instructions.
- c) Do not open or mutilate the battery(ies). Released electrolyte is corrosive and may cause damage to the eyes or skin. It may be toxic if swallowed.
- d) Exercise care in handling batteries in order not to short the battery with conducting materials such as rings, bracelets, and keys. The battery or conductor may overheat and cause burns.


3. Avoid unintentional starting - Do not insert the battery with your finger on

the switch. Be sure the switch is off when inserting the battery.

ADDITIONAL SAFETY RULES FOR LAWN TRIMMER AND EDGE TRIMMER

1. Keep guards in place and in working order
2. Keep hands and feet away from cutting area.
3. Do not use heavier lines than recommended in this manual.
4. Do not use line materials of other types – for example, metal wire, rope, and the like.

GENERAL SAFETY WARNINGS FOR BATTERY PACK

 **WARNING: Read all safety warnings and instructions. Failure to follow the warnings and instructions may result in electric shock, fire and/or serious injury.**





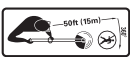






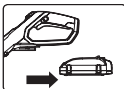
- 1) **WARNING: Risk of fire and burns. Do not disassemble, heat above 100°C (212°F), or incinerate. Do not expose cells or batteries to heat or fire. Avoid storage in direct sunlight.**
- 2) **Dispose of used battery promptly. When disposing of secondary cells or batteries, keep cells or batteries of different electrochemical systems separate from each other.**
- 3) **Keep battery out of reach of children and in original package until ready to use.**
- 4) **Never put batteries in mouth. If swallowed, contact your physician or local poison control center.**
- 5) **CAUTION – The battery used in this device may present a risk of fire or chemical burn if mistreated. Replace battery with (WORX) only. Use of another battery may present a risk of fire or explosion**
- 6) **WARNING: Do not use a visibly damaged battery pack or appliance as applicable.**
- 7) **WARNING: Do not modify or attempt**

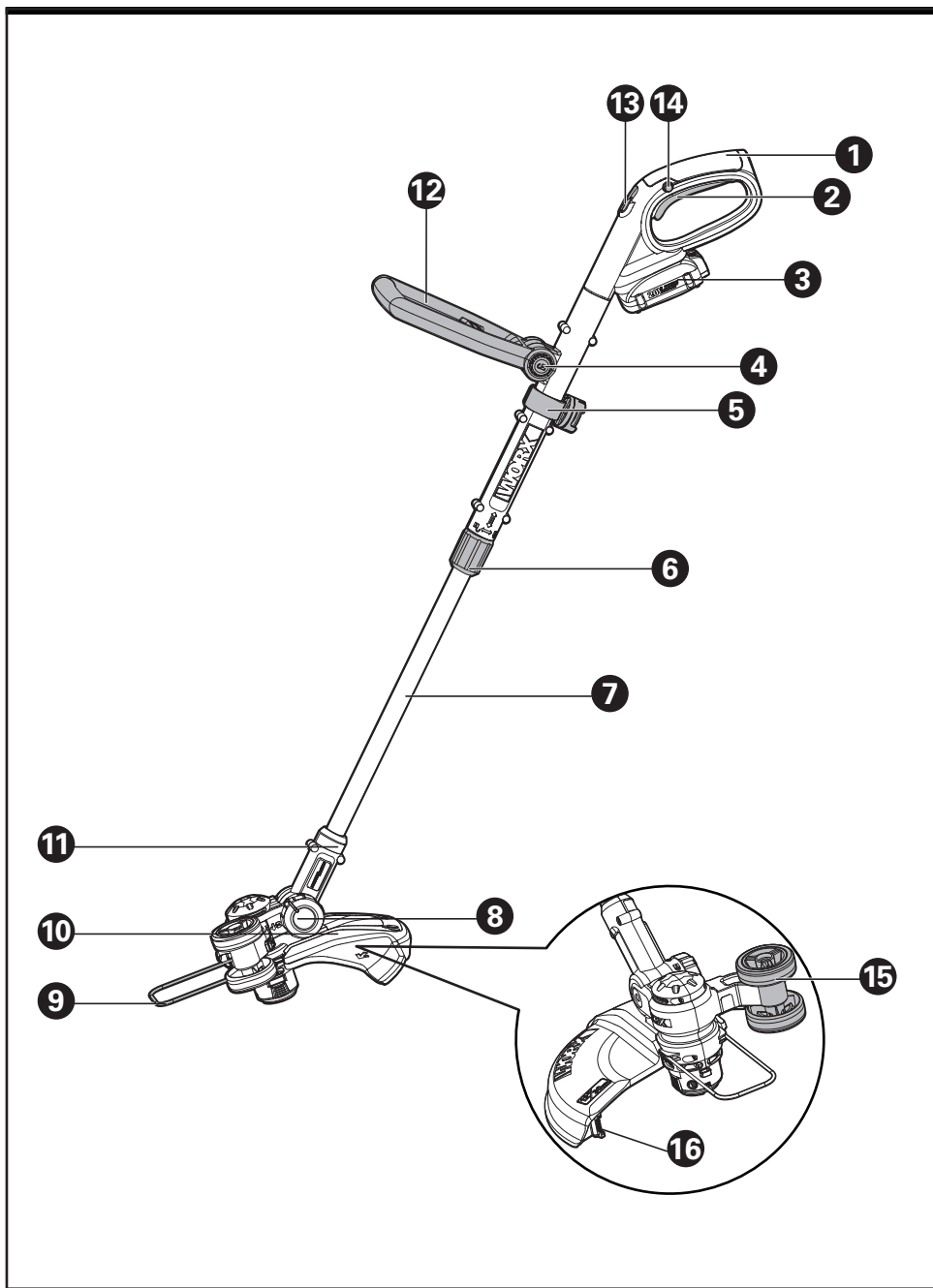
to repair the appliance or the battery pack as applicable.

- 8) **BATTERY MUST BE RECYCLED.**
- 9) **Do not short-circuit a cell or battery. Do not store cells or batteries haphazardly in a box or drawer where they may short-circuit each other or be short-circuited by conductive materials.**
- 10) **Do not subject cells or batteries to mechanical shock.**
- 11) **Keep cells and batteries clean and dry.** Wipe the cell or battery terminals with a clean dry cloth if they become dirty.
- 12) **Do not maintain secondary cells and batteries on charge when not in use.**
- 13) **Retain the original cell and battery literature for future reference.**
- 14) **Do not use any charger other than that specifically provided for use with the equipment.** Secondary cells and batteries need to be charged before use. Always use the correct charger and refer to the manufacturer's instructions or equipment manual for proper charging instructions.
- 15) When possible, remove the battery from the equipment when not in use.
- 16) Prevent unintentional starting. Ensure the switch is in the off-position before connecting to battery pack, picking up or carrying the appliance. Carrying the appliance with your finger on the switch or energizing appliance that have the switch on invites accidents.
- 17) Disconnect the battery pack from the appliance before making any adjustments, changing accessories, or storing appliance. Such preventive safety measures reduce the risk of starting the appliance accidentally.
- 18) Under abusive conditions, liquid may be ejected from the battery; avoid contact. If contact accidentally occurs, flush with water. If liquid contacts eyes, additionally seek medical help. Liquid ejected from the battery may cause irritation or burns.
- 19) Have servicing performed by a qualified repair person using only identical replacement parts. This will ensure that the safety of the product is maintained.

SAVE THESE INSTRUCTIONS

SYMBOLS

	To reduce the risk of injury, user must read instruction manual
	Wear ear protection
	Wear eye protection
	To avoid possibility of electric shock, do not use in damp or wet conditions
	Keep all other people, including children, pets and bystanders outside the 50 feet (15 meters) hazard zone, stop the trimmer immediately if you are approached.
 Li-Ion	Li-Ion battery, battery must be recycled
	call2recycle POSITEC Inc. has established a partnership with the RBRC Corporation to recycle any Positec batteries with the RBRC-call2recycle seal. For environmental protection, please do not discard batteries in the trash. After the batteries' life cycle is ended, then please call 1-800-822-8837 for a free service that will properly dispose of the battery.
	Edging
	Trimming
	Lock
	Unlock
	Make sure the battery is removed prior to changing accessories



-
- 1. REAR HANDLE**

 - 2. ON/OFF SWITCH**

 - 3. BATTERY PACK**

 - 4. AUXILIARY HANDLE LOCKING KNOB**

 - 5. SPOOL HOLDER**

 - 6. LOCKING COLLAR**

 - 7. TELESCOPIC SHAFT**

 - 8. PIVOT HEAD LOCKING KNOB**

 - 9. FLOWER GUARD**

 - 10. SAFETY GUARD**

 - 11. LOWER SHAFT COUPLING**

 - 12. AUXILIARY HANDLE**

 - 13. COMMAND FEED BUTTON**


 - 14. LOCK OFF BUTTON**

 - 15. EDGER /TRIMMING SUPPORT WHEELS**

 - 16. LINE CUTTER**
-

Not all the accessories illustrated or described are included in standard delivery.

TECHNICAL DATA

	WG170	WG170.1	WG170.9
Voltage	20V  Max*		
No load speed	7600 /min		
Cutting Diameter	12"(30cm)		
Line Diameter	0.065"(1.65mm)		
Charging time	5 hrs	2 hrs	/
Machine Weight	5.5 lbs	6.0 lbs	4.7 lbs

* Voltage measured without workload. Initial battery voltage reaches maximum of 20 volts. Nominal voltage is 18 volts.

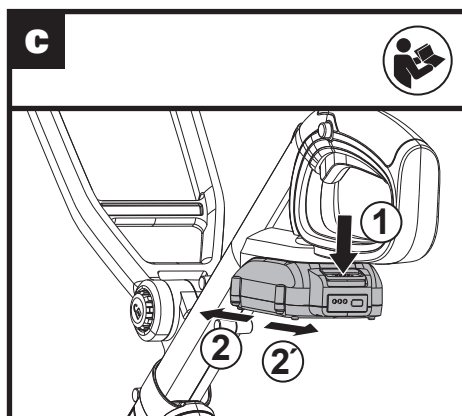
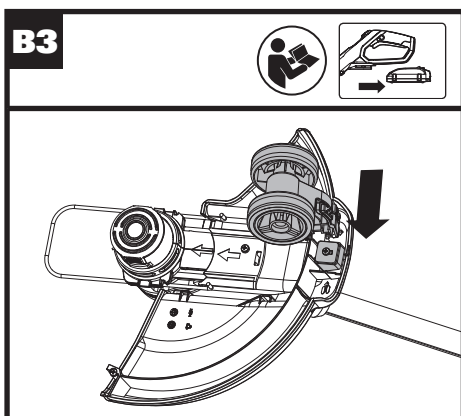
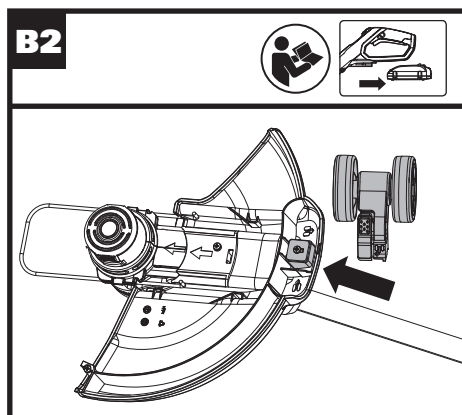
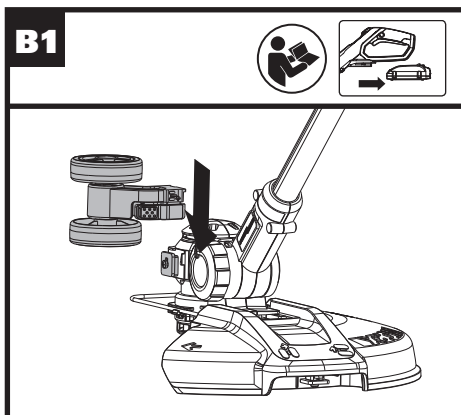
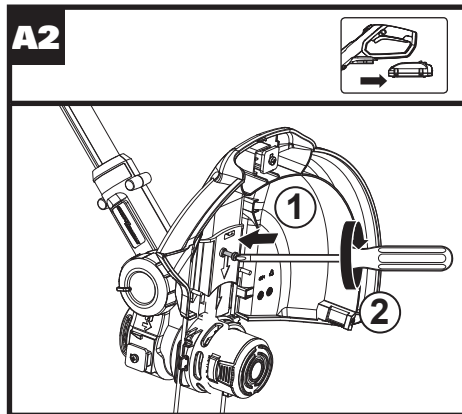
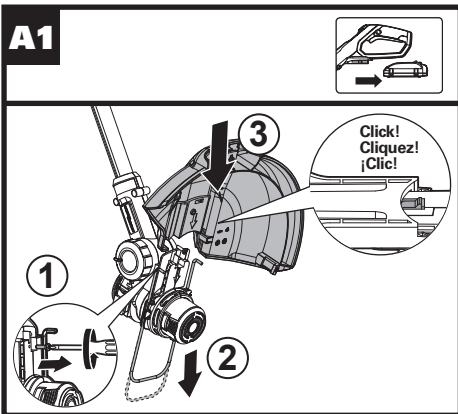
ACCESSORIES

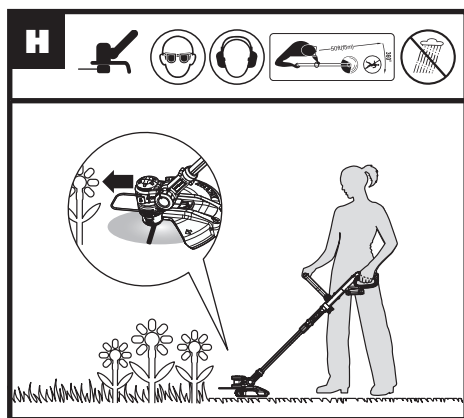
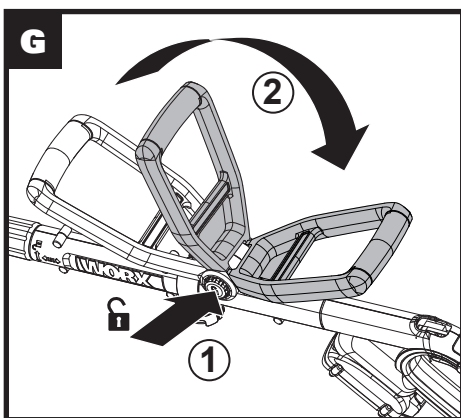
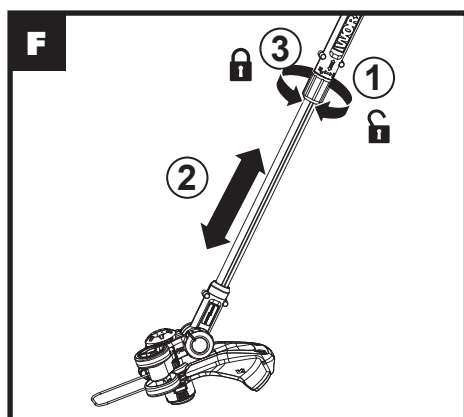
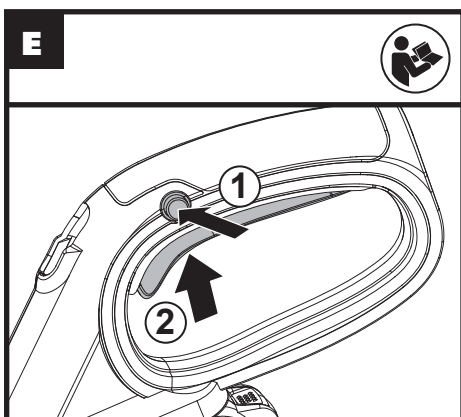
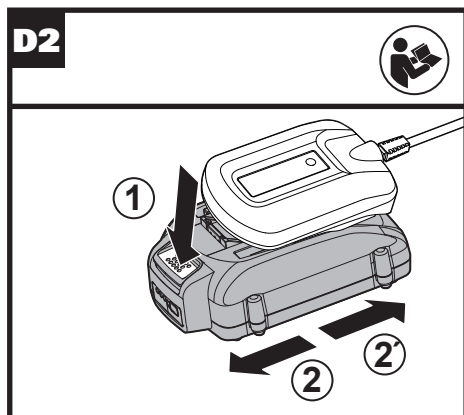
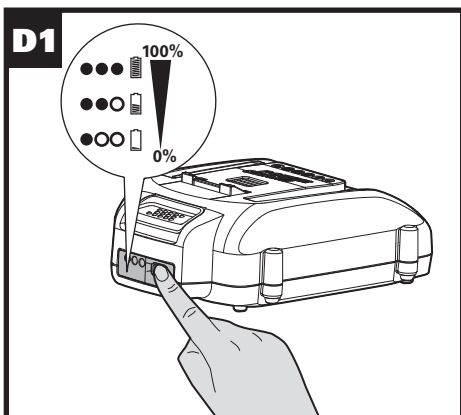
	WG170	WG170.1	WG170.9
Safety guard	1	1	1
Flower guard	1	1	1
Charger	1 (WA3742)	1 (WA3868)	/
Battery pack	2 (WA3575)	2 (WA3578)	/
Edger/Trimming support wheels	1	1	1
Spool	3	3	3
Spool holder	1	1	1

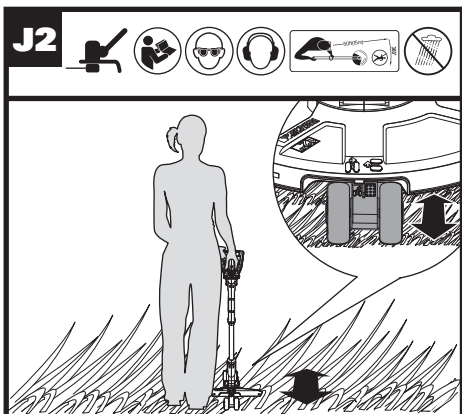
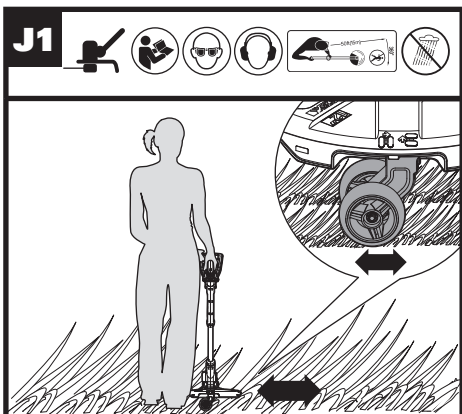
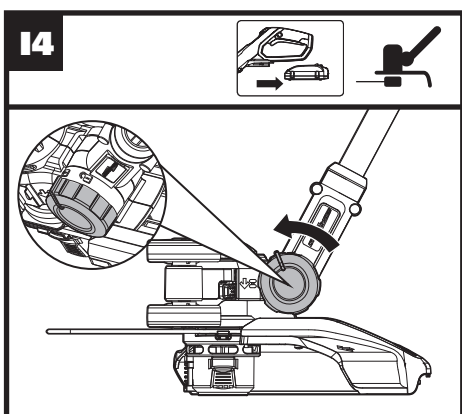
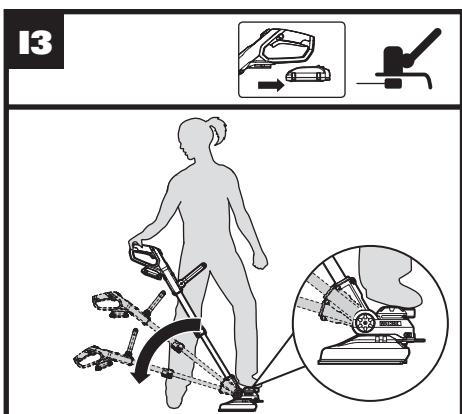
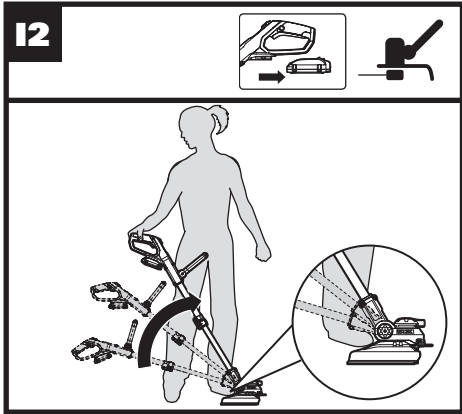
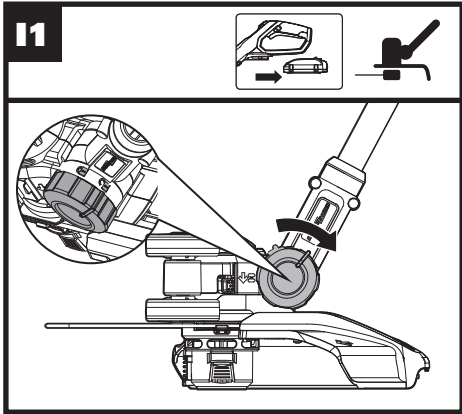
Only use the appropriate accessories intended for this tool. Accessory information can be found on the product packaging, at a WORX dealer or on our website at www.worx.com.

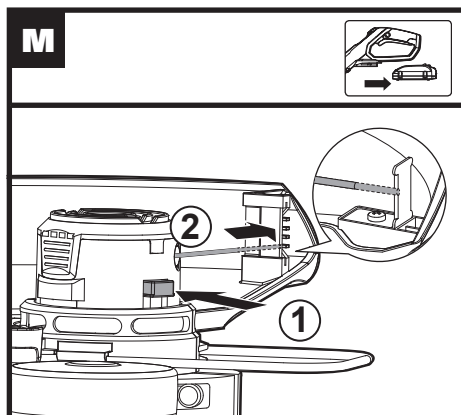
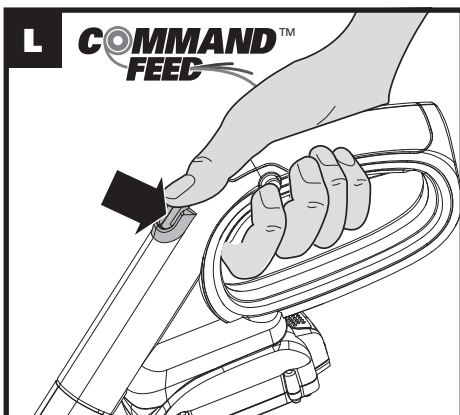
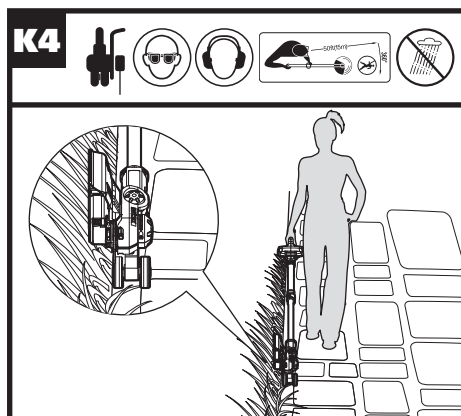
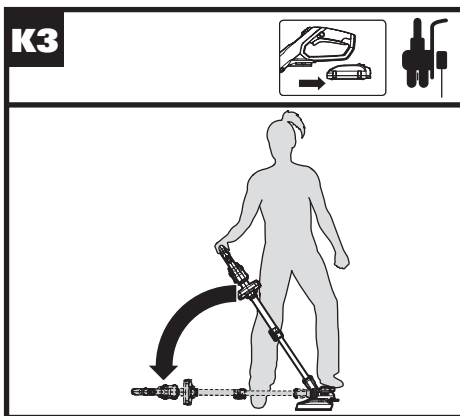
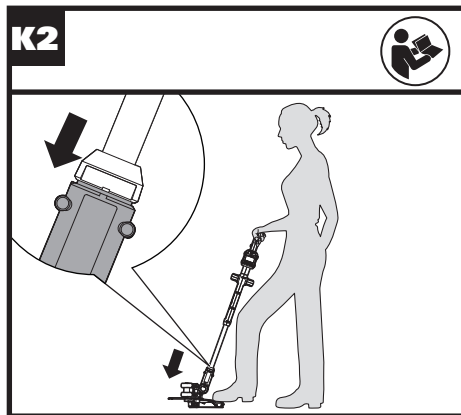
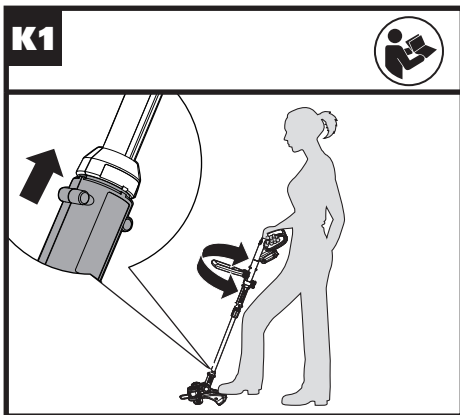


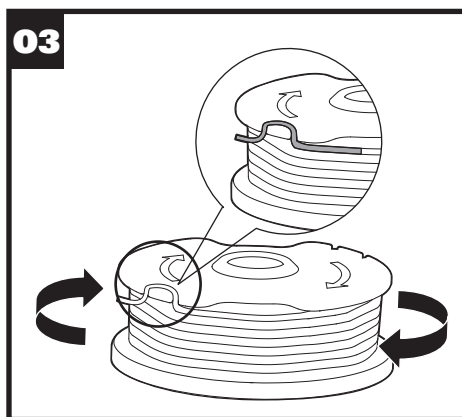
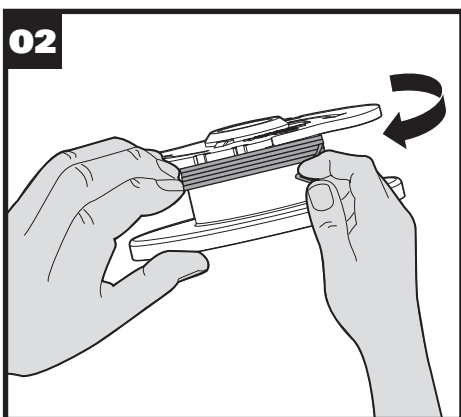
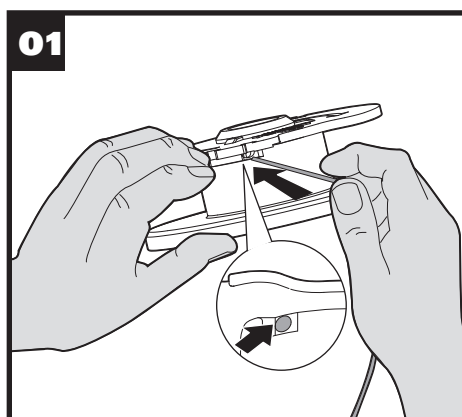
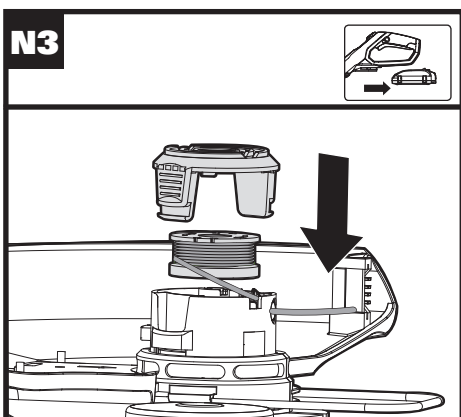
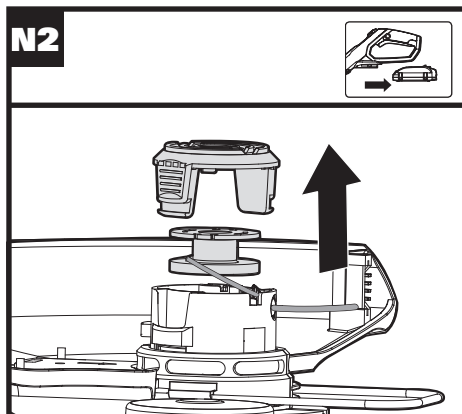
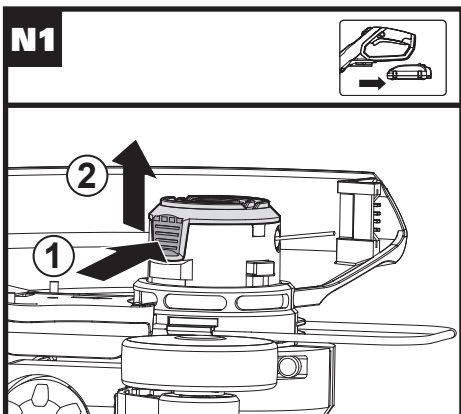
WARNING: Any other accessory or attachment may increase the risk of injury.

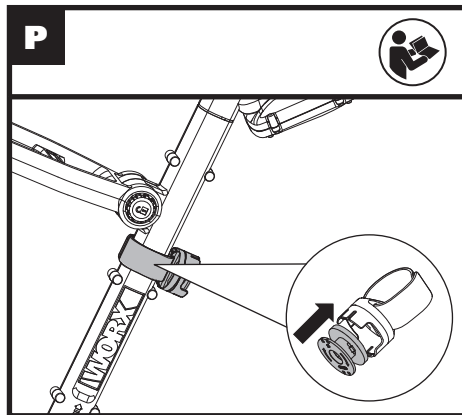
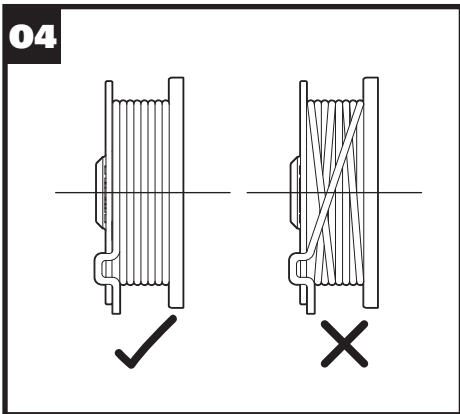












ASSEMBLY & OPERATION

Action	Figure
ASSEMBLY	
Assembling the Safety Guard	See Fig. A1, A2
Mounting the Edger /Trimming Support Wheels NOTE: There are three optional positions for the Edger /Trimming Support Wheels to attach when assisting in Trimming and Edging. Fig. B1 is for Edging. Fig. B2 and B3 is for Trimming.	See Fig. B1, B2, B3
Installing and Removing the Battery Pack Your Battery Pack is UNCHARGED and it must be fully charged once before it is used.	See Fig. C
Checking the Battery Condition	See Fig. D1
Charging the Battery Pack More details can be found in charger's manual WARNING! The charger and battery pack are specially designed to work together so do not attempt to use any other devices. Never insert or allow metallic objects into your charger or battery pack connections because of an electrical failure and hazard will occur.	See Fig. D2

OPERATION

Safety ON/OFF Switch WARNING! The cutting head continues to rotate after the trimmer has been switched off; wait until it has completely stopped then lay down the tool.	See Fig. E
WARNING! Make sure that line is fed out before operation. Make sure motor is up to full speed before trimming or edging.	
Adjusting the Shaft	See Fig. F
Adjusting the Auxiliary handle	See Fig. G
Using the Flower Guard	See Fig. H
Trimming	
- Adjusting the Trimmer Head	See Fig. I1, I2, I3, I4
- Trimming / Mowing NOTE: • For trimming/mowing Fig. J1, please mount the wheels following Fig. B3. For trimming in Fig. J2, please mount the wheels following Fig. B2. • You could also use the machine without the guide wheels on the guard when trimming.	See Fig. J1, J2
Edging	
- Main handle rotation - The main handle can only be adjusted at 2 angles of $\pm 90^\circ$.	See Fig. K1, K2

- Changing the tool into the Edging mode	See Fig. K3
- Edging	See Fig. K4
Command feeding the line	See Fig. L
Manually feeding the line	See Fig. M
Replacing the trimmer Spool	See Fig. N1, N2, N3
Manually winding the line	See Fig. O1, O2, O3, O4
Spool holder NOTE: Allows for an additional spool to be stored on the tool.	See Fig. P

LINE FEEDING/WINDING INSTRUCTION

1. Automatic line feed system

When initially switching on the trimmer, a small length of line is fed out. Each time the tool is started from rest it will advance about 0.25 inches of trimmer line.

A 'clattering' noise will be heard when the lines hit the Line Cutter. **DO NOT BE ALARMED.** This is quite normal. After about 5 seconds the line will be cut to the correct length and the noise will reduce as the motor gains full speed.

If the noise of the line being cut can't be heard, more line will need to be fed out.

To feed more line, it is first necessary to allow the trimmer to stop completely; it must come to a complete rest, then restart, allowing the motor to reach full speed.

Repeat above until you hear the line hitting against the Line Cutter.

2. (See Fig. L)

Your trimmer is equipped with a Command Feed System. For efficiently feeding the line, just press the command feed button while the machine is running until you hear the 'clattering' noise of the line cutting. The motor will shut off when pressing the Command Feed button and will restart when releasing the button. During that process the line will automatically feed additional line for cutting.

3. Manually feeding the line (See Fig. M)

Turn off the trimmer and remove the battery. If required, line can be fed out manually. To operate, press and release manual Line Feed Button, while gently pulling out the line until it is long enough to reach the Line Cutter. If the line extends past the Line Cutter, too much line has been fed out. If too

much line is fed out, remove the Spool Cap and turn Spool counter-clockwise until the line is at the desired length.

4. Manually winding the line (See Fig. O1, O2, O3, O4)

Take approximately 10ft (3m) of line. Insert 5/8 inch (15mm) of line into the Spool holes and wind line in the direction of the arrows on the top of the Spool. Leave approximately 4 inches (100mm) of line unwound and place into the cleat. Ensure that the line is neatly coiled on the Spool. Failure to do so will impair the efficiency of the automatic line feed. Then fit the Spool as shown in Fig. N1, N2, N3

MAINTENANCE

After use, disconnect the battery from the tool and check for damage. Your power tool requires no additional lubrication or maintenance. There are no user serviceable parts in your power tool. Never use water or chemical cleaners to clean your power tool. Wipe clean with a dry cloth. Always store your power tool in a dry place, and out of the reach of children. Keep the motor ventilation slots clean. Keep all working controls free of dust.

For Battery tools

The ambient temperature range for the use and storage of tool and battery is 0°C-45°C.

The recommended ambient temperature range for the charging system during charging is 0°C-40°C.

TROUBLESHOOTING

The following table gives problems and actions that you can perform if your machine does not operate correctly. If these do not identify and correct the problem, contact your WORX Customer Service at 1-866-354-WORX.



WARNING: Switch the machine off and remove the battery prior to any troubleshooting.

Problems	Possible Causes	Corrective Action
Trimmer fails to operate.	Battery discharged. Battery too hot/cold. Motor is broken. Internal wiring of machine damaged.	Recharge battery; also see the content in charger manual Allow to cool/warm. Contact Service Agent. Contact Service Agent.
Trimmer runs intermittently.	Motor is broken. Battery not fully charged. On/Off switch defective.	Contact Service Agent. Recharge battery. Contact Service Agent.
Excessive vibrations/noise.	Machine defective. Line spool is not wound well.	Contact Service Agent. Rewind the line. See "MANUALLY WINDING THE LINE" (Fig. O1, O2, O3, O4).
Cutting time per battery charge too short.	Battery has not been used for long period or only charged for short term. Grass too high. Battery defective.	Recharge battery; also see the content in charger manual. Cut in stages. Replace the battery.
Machine does not cut.	Line broken. Battery not fully charged. Motor is broken (speed is too low). Grass entangled around cutting head.	Replace the line Recharge battery; also see the content in charger manual. Contact Service Agent. Remove grass.
Continuous lighting of the battery charge indicator. No charging procedure possible.	Battery not (properly) inserted. Battery contacts contaminated. Battery defective.	Properly insert battery into battery charger. Clean the battery contacts or replace the battery. Replace the battery.
Battery charge indicator does not light up.	Plug of battery charger not plugged in (properly). Socket outlet, mains cable or battery charger defective.	Insert mains plug (fully) into the socket outlet. Check the mains voltage; have the battery charger checked by an authorized after-sales service agent.
Command feed does not work	Cutting line is not wound well. The line is tangled. Line is used up.	Manually feed the line, if still cannot feed out, remove the Spool out and rewind the line. Replace with a new spool of line.