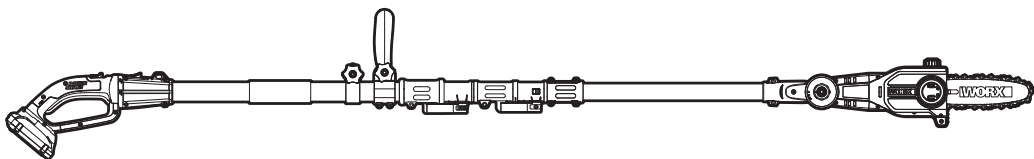


WORX®



Cordless Pole Saw

EN P02

F


ES



HELPLINE NUMBER
NUMERO DU SERVICE D'ASSISTANCE
NUMERO DE LINEA DE AYUDA
1-866-354-WORX (9679)


WG349 WG349.9

PRODUCT SAFETY


 **WARNING: Some dust created by power sanding, sawing, grinding, drilling and other construction activities contains chemicals known to the state of California to cause cancer, birth defects or other reproductive harm. Some examples of these chemicals are:**

- **Lead from lead-based paints;**
- **Crystalline silica from bricks and cement and other masonry products and**
- **Arsenic and chromium from chemically-treated lumber.**

Your risk from these exposures varies, depending on how often you do this type of work. To reduce your exposure to these chemical: work in a well ventilated area, and work with approved safety equipment, such as those dust masks that are specially designed to filter out microscopic particles.

 **WARNING: This product can expose you to chemicals including lead and Di(2-ethylhexyl)phthalate (DEHP) which are known to the State of California to cause cancer and birth defects or other reproductive harm. For more information go to www.P65Warnings.ca.gov**

IMPORTANT SAFETY INSTRUCTIONS

 **WARNING: Read all safety warnings and instructions. Failure to follow the warnings and instructions may result in electric shock, fire and/or serious injury.**

FOR ALL APPLIANCES:

- 1) Avoid Dangerous Environment - Don't use appliances in damp or wet locations.
- 2) Don't Use In Rain.
- 3) Keep Children Away - All visitors should be kept at a distance from work area.
- 4) Dress Properly - Do not wear loose clothing or jewelry. They can be caught in moving parts. Use of rubber gloves and substantial footwear is recommended when working outdoors. Wear protective hair covering to contain long hair.
- 5) Use Safety Glasses - Always use face or dust mask if operation is dusty.
- 6) Use Right Appliance - Do not use appliance for any job except that for which it is intended.
- 7) Don't Force Appliance - It will do the job better and with less likelihood of a risk of injury at the rate for which it was designed.
- 8) Don't Overreach - Keep proper footing and balance at all times.
- 9) Stay Alert - Watch what you are doing. Use common sense. Do not operate appliance when you are tired.
- 10) Store Idle Appliances Indoors - When not in use,

- appliance should be stored indoors in dry, and high or locked-up place - out of reach of children.
- 11) Maintain Appliance With Care - Keep cutting edge sharp and clean for best performance and to reduce the risk of injury. Follow instructions for lubricating and changing accessories. Keep handles dry, clean, and free from oil and grease.
- 12) Check Damaged Parts - Before further use of the appliance, a guard or other part that is damaged should be carefully checked to determine that it will operate properly and perform its intended function. Check for alignment of moving parts, binding of moving parts, breakage of parts, mounting, and any other condition that may affect its operation. A guard or other part that is damaged should be properly repaired or replaced by an authorized service center unless indicated elsewhere in this manual.

FOR ALL BATTERY - OPERATED GARDENING APPLIANCES:

1. Prevent unintentional starting. Ensure the switch is in the off-position before connecting to battery pack, picking up or carrying the appliance. Carrying the appliance with your finger on the switch or energizing appliance that have the switch on invites accidents.
2. Disconnect the battery pack from the appliance before making any adjustments, changing accessories, or storing appliance. Such preventive safety measures reduce the risk of starting the appliance accidentally.
3. Recharge only with the charger specified by the manufacturer. A charger that is suitable for one type of battery pack may create a risk of fire when used with another battery pack.
4. Use appliances only with specifically designated battery packs. Use of any other battery packs may create a risk of injury and fire.
5. When battery pack is not in use, keep it away from other metal objects, like paper clips, coins, keys, nails, screws or other small metal objects, that can make a connection from one terminal to another. Shorting the battery terminals together may cause burns or a fire.
6. Under abusive conditions, liquid may be ejected from the battery; avoid contact. If contact accidentally occurs, flush with water. If liquid contacts eyes, additionally seek medical help. Liquid ejected from the battery may cause irritation or burns.
7. Do not use a battery pack or appliance that is damaged or modified. Damaged or modified batteries may exhibit unpredictable behavior resulting in fire, explosion or risk of injury.
8. Do not expose a battery pack or appliance to fire or excessive temperature. Exposure to fire or temperature above 265°F (130°C) may cause explosion.
9. Follow all charging instructions and do not charge the battery pack or appliance outside of the temperature range specified in the instructions. Charging improperly or at temperatures outside of

the specified range may damage the battery and increase the risk of fire.

10. Have servicing performed by a qualified repair person using only identical replacement parts. This will ensure that the safety of the product is maintained.
11. Do not modify or attempt to repair the appliance or the battery pack (as applicable) except as indicated in the instructions for use and care.

POLE SAW SAFETY WARNINGS

WARNING - Do not operate near electrical power lines. The unit has not been designed to provide protection from electric shock in the event of contact with overhead electric lines. Consult local regulations for safe distances from overhead electric power lines and ensure that the operating position is safe and secure before operating the saw chain pole pruner.

- a) Keep all parts of the body away from the saw chain. Make sure the switch is off when clearing jammed material. Saw chain continues to move after the switch is turned off. A moment of inattention while operating the pole pruner may result in serious personal injury.
- b) Carry the pole pruner by the handle with the saw chain stopped. When transporting or storing the pole pruner, always fit the saw chain device cover. Proper handling of the pole pruner will reduce possible personal injury from the saw chain.
- c) Hold the pole pruner by insulated gripping surfaces only, because the saw chain may contact hidden wiring or its own cord. A saw chain contacting a "live" wire may make exposed metal parts of the pole pruner "live" and could give the operator an electric shock.
- d) Keep cable away from cutting area. During operation the cable may be hidden in shrubs and can be accidentally cut by the saw chain.
- e) Do not use the pole pruner in bad weather conditions, especially when there is a risk of lightning. This decreases the risk of being struck by lightning.
- f) To reduce the risk of electrocution, never use near any electrical power lines. Contact with or use near power lines may cause serious injury or electric shock resulting in death.
- g) Always use two hands when operating the pole pruner. Hold the pole pruner with both hands to avoid loss of control.
- h) Always use head protection when operating the pole pruner overhead. Falling debris can result in serious personal injury.

Safety Warnings for battery pack

- a) **Do not dismantle, open or shred battery pack.**
- b) **Do not expose battery pack to heat or fire. Avoid storage in direct sunlight.**
- c) **Do not short-circuit a battery pack. Do not store battery packs haphazardly in a box or drawer where they may short-circuit each other or be short-circuited by other metal objects.** When battery pack is not in use, keep it

away from other metal objects, like paper clips, coins, keys, nails, screws or other small metal objects, that can make a connection from one terminal to another. Shorting the battery terminals together may cause burns or fire.

- d) **Do not remove battery pack from its original packaging until required for use.**
- e) **Do not subject battery pack to mechanical shock.**
- f) **In the event of battery leaking, do not allow the liquid to come in contact with the skin or eyes. If contact has been made, wash the affected area with copious amounts of water and seek medical advice.**
- g) **Observe the plus (+) and minus (-) marks on the battery back and equipment and ensure correct use.**
- h) **Do not use any battery pack which is not designed for use with the equipment.**
- i) **Keep battery pack out of the reach of children.**
- j) **Seek medical advice immediately if a cell or battery has been swallowed.**
- k) **Always purchase the battery pack recommended by the device manufacturer for the equipment.**
- l) **Keep battery pack clean and dry.**
- m) **Wipe the battery pack terminals with a clean dry cloth if they become dirty.**
- n) **Battery pack needs to be charged before use. Always use the correct charger and refer to the manufacturer's instructions or equipment manual for proper charging instructions.**
- o) **Do not leave battery pack on prolonged charge when not in use.**
- p) **After extended periods of storage, it may be necessary to charge and discharge the battery pack several times to obtain maximum performance.**
- q) **Battery pack gives its best performance when it is operated at normal room temperature (20 °C ± 5 °C).**
- r) **When disposing of battery packs, keep battery packs of different electrochemical systems separate from each other.**
- s) **Recharge only with the charger specified by WORX. Do not use any charger other than that specifically provided for use with the equipment.** A charger that is suitable for one type of battery pack may create a risk of fire when used with another battery pack.
- t) **Retain the original product literature for future reference.**
- u) **Use only the battery pack in the application for which it was intended.**
- v) **Remove the battery pack from the equipment when not in use.**
- w) **Dispose of properly.**

SAVE THESE INSTRUCTIONS

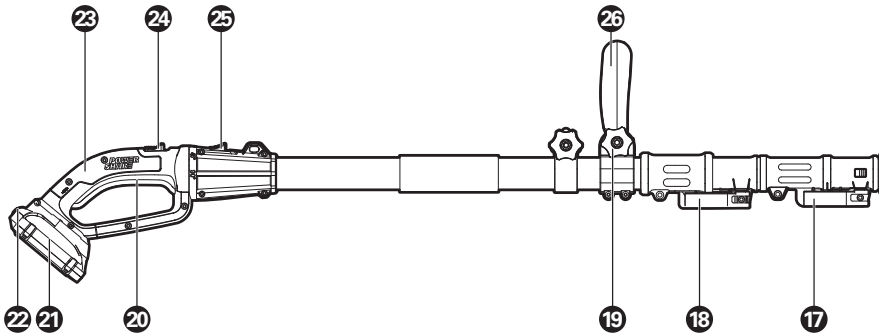
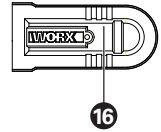
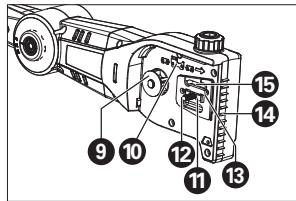
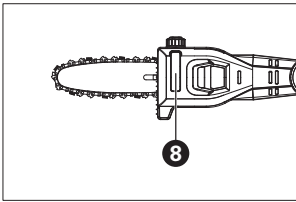
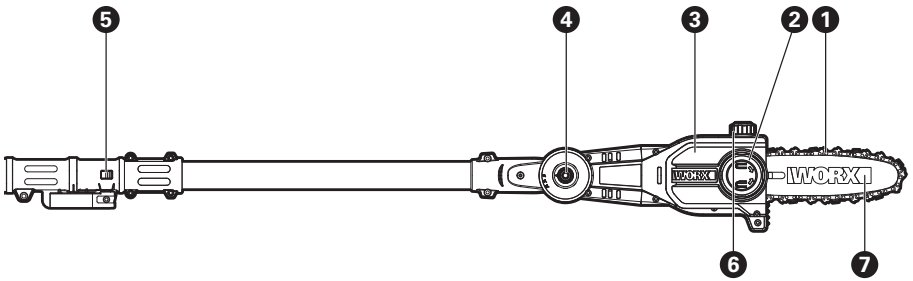
SYMBOLS

	To reduce the risk of injury, user must read instruction manual
	Wear ear protection
	Wear eye protection
	Wear head protection
	Wear protective gloves
	Wear protective footwear
	Warning of danger from overhead electric-power lines
 Li-Ion	Li-Ion battery, battery must be recycled
	Do not burn
	Batteries may enter water cycle if disposed improperly, which can be hazardous for ecosystem. Do not dispose of waste batteries as unsorted municipal waste.
	Unlock
	Lock



call2recycle®

POSITEC Inc. has established a partnership with the RBRC Corporation to recycle any Positec batteries with the RBRC-call2recycle seal. For environmental protection, please do not discard batteries in the trash. After the batteries' life cycle is ended, then please call 1-800-822-8837 for a free service that will properly dispose of the battery.




COMPONENT LIST

1. CHAIN
2. CHAIN TENSIONING KNOB
3. CHAIN COVER
4. SAW HEAD ADJUSTMENT KNOB
5. LOCKING PROJECTION
6. OIL FILLER CAP
7. GUIDE BAR
8. OIL LEVEL WINDOW
9. DRIVE SPROCKET
10. CHAIN DIRECTION SYMBOL
11. BAR LOCATING TABS
12. FASTENING BAR BOLT
13. BAR PAD
14. BUMPER SPIKE
15. OIL OUTLET
16. BAR AND CHAIN SHEATH
17. POLE SAW ASSEMBLY LEVER
18. INNER POLE CLAMPING LEVER
19. AUXILIARY HANDLE LOCKING KNOB
20. ON/OFF TRIGGER
21. BATTERY PACK*
22. BATTERY PACK RELEASE BUTTON*
23. REAR HANDLE
24. LOCK OFF BUTTON
25. ROTATING LOCK BUTTON FOR EXTENSION POLE
26. AUXILIARY HANDLE
27. BAR TENSIONING PLATE (SEE FIG. A)

* Not all the accessories illustrated or described are included in standard delivery.

TECHNICAL DATA

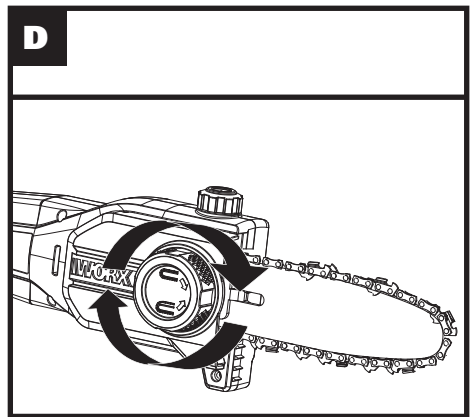
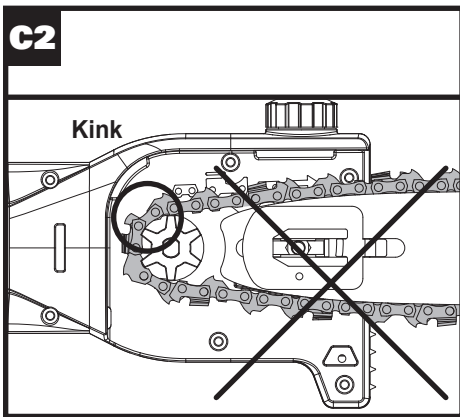
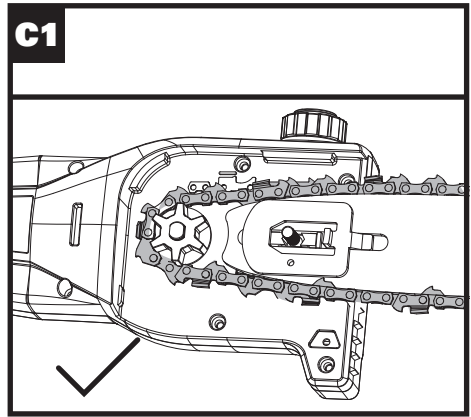
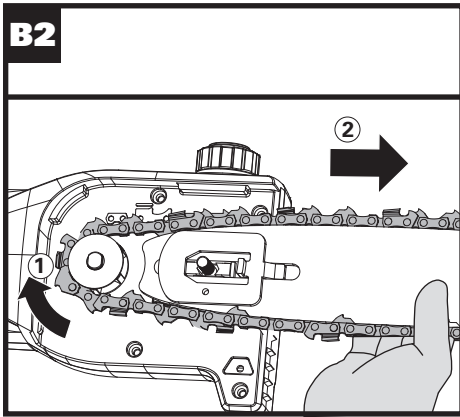
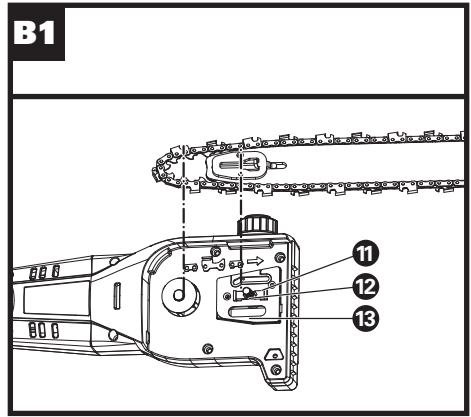
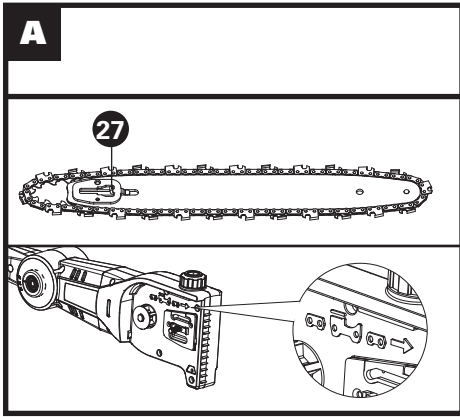
	WG349	WG349.9
Voltage	20V  Max. **	
Bar length	8"	
Chain speed	16ft/s	
Oil tank capacity	2.8ounces	
Chain pitch	3/8"	
Number of chain drive links	33	
Chain gauge	0.043"	
Adaptive Chain type	Trilink Huihuang: CL14333X	
Adaptive Bar type	Trilink Huihuang: N1430833-1041TL	
Charging time	1hr	/
Weight (chain & bar included)	8.8lbs	8.0lbs
Total reach	13'	
Machine length	from 83 inch to 110 inch (fully extended)	
Saw head rotation angle	0°, 15°, 30° (3 positions)	
Handle rotation angle	180 degrees total	

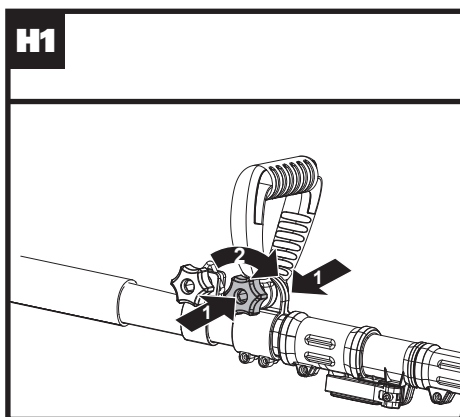
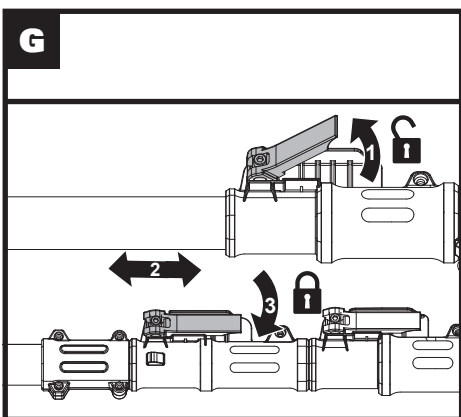
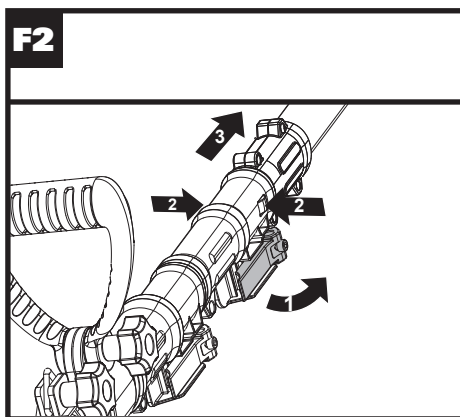
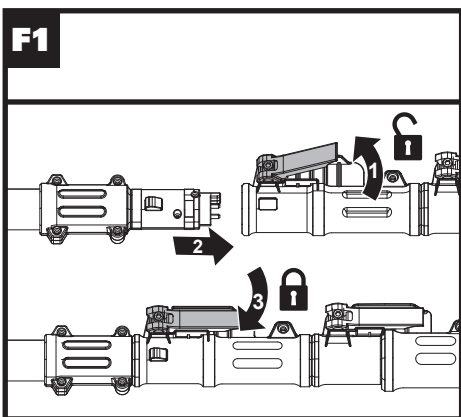
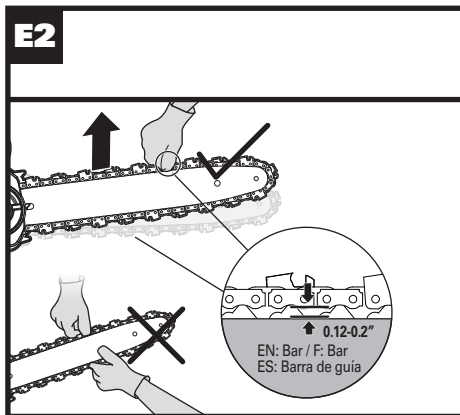
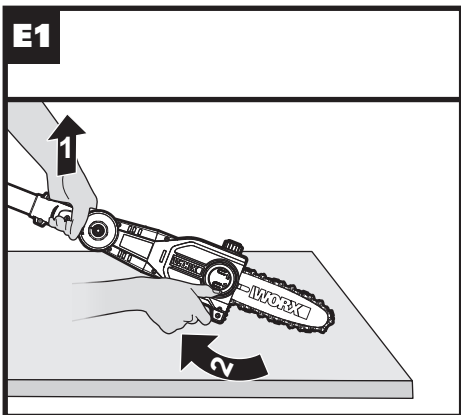
**Voltage measured without workload. Initial battery voltage reaches maximum of 20 volts. Nominal voltage is 18 volts.

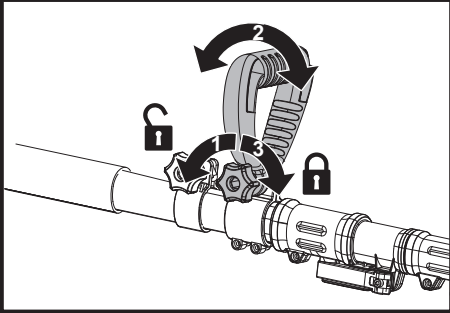
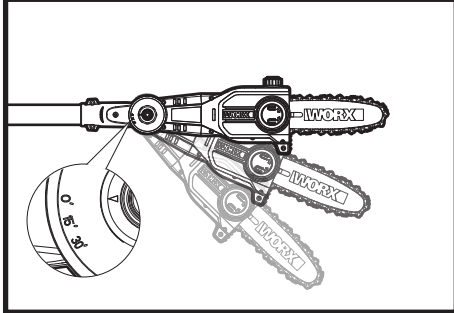
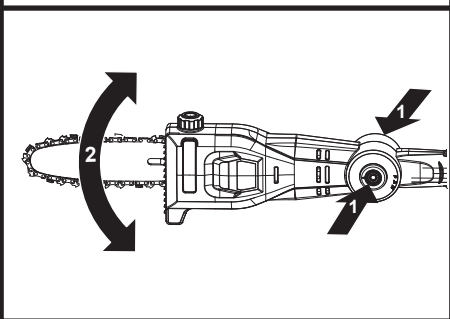
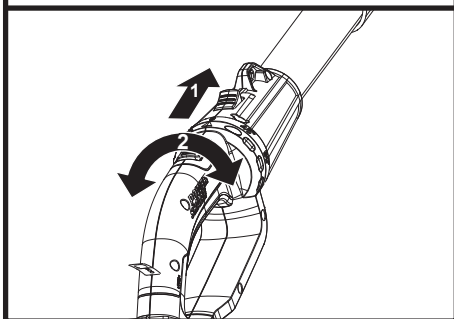
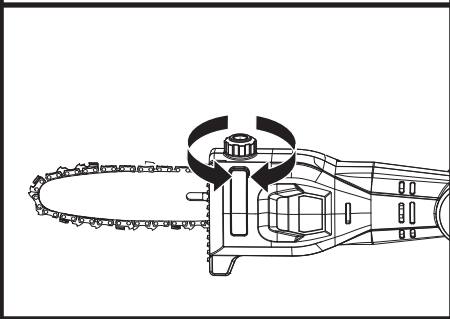
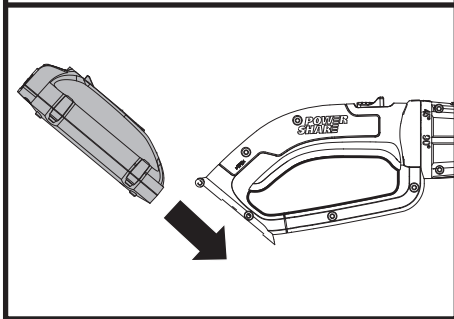
ACCESSORIES

	WG349	WG349.9
Charger (WA3881)	1	/
Battery pack(WA3575)	1	/
Auxiliary Handle	1	1
Bar & Chain Sheath	1	1

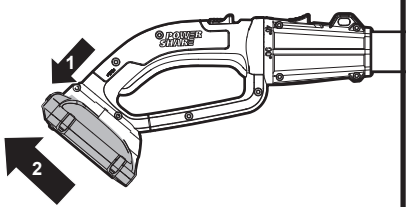
Only use the appropriate accessories intended for this tool. Accessory information can be found on the product packaging, at a WORX dealer or on our website at www.worx.com.



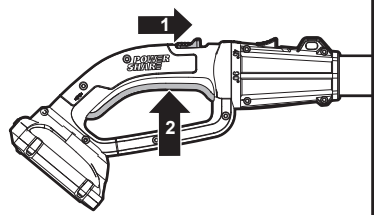


H2**I1****I2****J****K****L1**

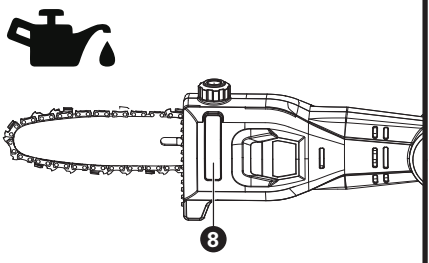
L2



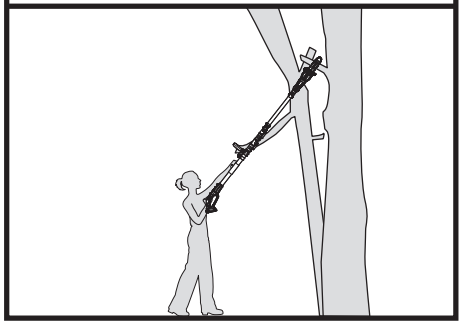
M



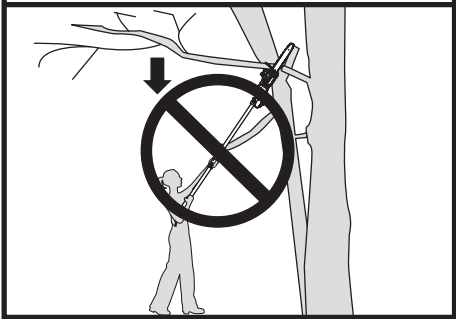
N1



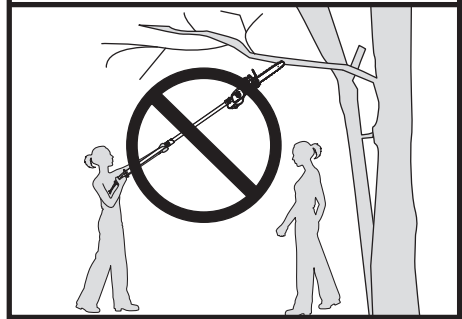
N2



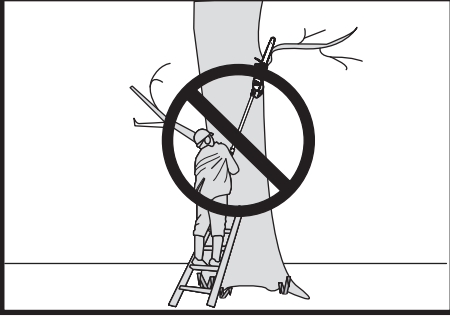
O1



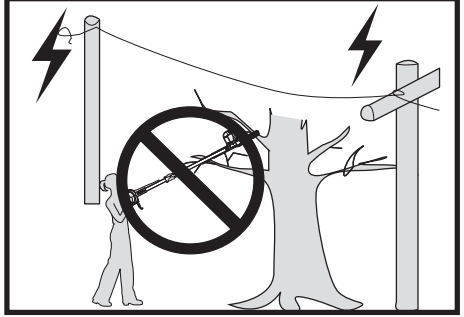
O2



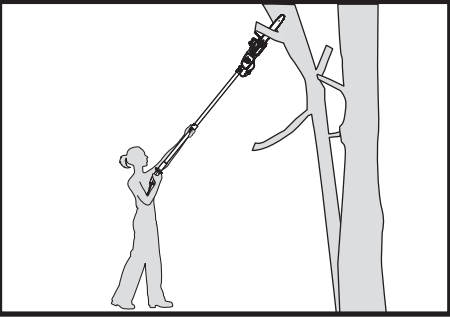
03



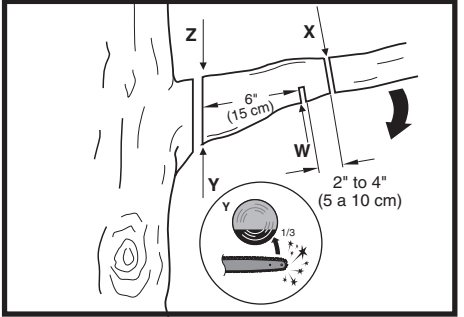
04



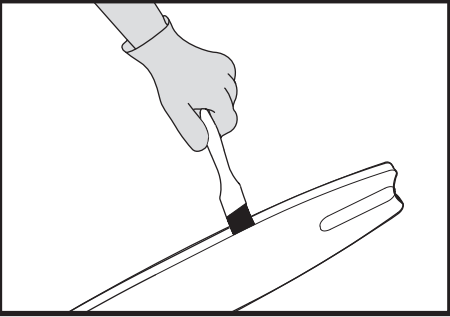
05



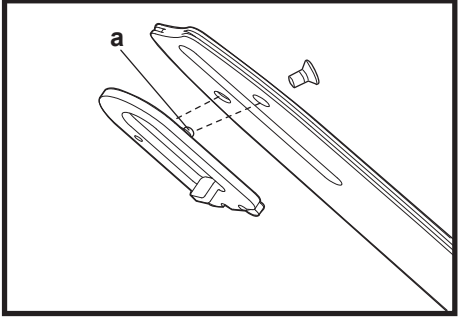
06



P

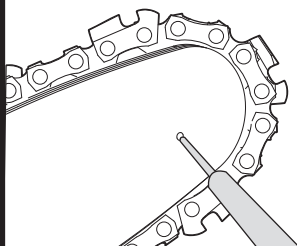


Q




R

EN: Injecting grease to lubricate
F: Injectez la graisse pour lubrifier
ES: Inyectando grasa para lubricar




ASSEMBLY

 **WARNING! Do not install the battery pack before it has been completely assembled. Always use gloves when handling the chain.**

CHAIN AND GUIDE BAR ASSEMBLY

1. Unpack all parts carefully.
2. Place the saw on a solid, level surface.
3. **Use only genuine WORX chains or those recommended for Guide Bar.**
4. Slide the Chain (1) in the slot around the Guide Bar (7). Ensure the Chain is in correct running direction by comparing it to the chain icon on the guide bar, or referring to the Chain Direction Symbol (10) found on the saw body. Ensure the Bar Tensioning Plate (27) is facing outward. (See Fig. A)
5. Fit the Chain onto the Drive Sprocket (9), so that the Fastening Bar Bolt (12) and the two Bar Locating Tabs (11) on the Bar Pad (13) fit into the keyway of the opening on the Guide Bar (7). (See Fig. B1, B2)
6. Assure all parts are seated properly. Make sure the drive links are fully seated in the drive sprocket (See Fig. C1), avoiding a kink as shown in Fig. C2. If kink occurs, pick up on the chain at the guide bar just ahead of the kink and then pull the kink out.
NOTE: Chain should rotate freely and be free of kinks.
7. Fit the Chain Cover (3) and tighten the Chain Cover by turning the Chain Tensioning Knob (2) clockwise until it is tight. (See Fig. D)

 **WARNING: The chain is not yet tensioned. Tensioning the chain applies as described under "TENSIONING CHAIN". The chain now needs to be inspected to make sure it is properly tensioned.**

TENSIONING CHAIN (See Fig. E1, E2)

NOTE: New saw chains will stretch. Check the chain tension frequently when first used and tighten when the Chain (1) becomes loose around the Guide Bar (7).

 **WARNING:**

- **Removing the battery pack before adjusting saw chain tension.**
 - **Cutting edges on chain are sharp. Use protective gloves when handling chain.**
 - **Maintain proper chain tension always. A loose chain will increase the risk of kickback. A loose chain may jump out of guide bar groove. This may injure operator and damage chain. A loose chain will cause chain, bar, and sprocket to wear rapidly.**
1. Place the saw on any suitable flat surface.
 2. Turn the Chain Tensioning Knob (2) clockwise

until it is hand tight.

NOTE: The tension is automatically increased while the Chain Tensioning Knob (2) is being turned in a clockwise direction. The built-in ratchet mechanism prevents the chain tension from loosening.

3. Tilt the saw forward (See Fig. E1) where the Guide Bar (7) tip is pushed in an upward direction. This will remove slack from the chain.
4. Fully tighten the Chain Tensioning Knob (2) by turning it clockwise.
5. Double check the tension set by the automatic Chain Tensioning Knob. The correct chain tension is reached when the Chain (1) can be raised approx. half the driveline depth from the Guide Bar (7) in the center. This should be done by using one hand to raise the chain against the weight of the machine. (See Fig. E2)
NOTE: The Chain (1) is properly tensioned when it can be lifted off of the Guide Bar (7) and the driveline is within the rail of the Guide Bar (7).
NOTE: The Chain (1) will stretch while cutting and lose proper tension. When the chain becomes loose, completely unscrew the Chain Tensioning Knob (2) or turn the knob around three full turns in a counter-clockwise direction, then retighten the Chain Tensioning Knob (2) to properly reset the chain tension by repeating Steps 1-4 listed above.

ASSEMBLING THE EXTENSION POLE TO THE MACHINE (SEE FIG. F1)

Step 1: Loosen the pole saw assembly lever (17) as shown in Fig F1. Align and insert the machine into the extension pole.

Step 2: Press the pole saw assembly lever to tighten the extension pole to the machine.

NOTE: Make sure the extension pole is locked into position securely before operation.

REMOVING THE EXTENSION POLE (SEE FIG. F2)

Step 1: Unlock the pole saw assembly lever (17) as shown.

Step 2: Slide saw to disconnect the extension pole with the saw while pressing both locking projections (5) simultaneously.

ADJUSTING POLE LENGTH

The pole saw has a telescoping pole assembly that will extend from 83 inch (fully retracted) to 110 inch (fully extended).

Inner pole clamping level (18) is used to hold the pole in position at any extended length.

1. To extend the pole, loosen the inner pole clamping lever (18) as shown in Fig. G. Pole will slide freely.
2. Pull inner pole section out to desired length of extension.
NOTE: only extend pole to minimum length required to reach limb that is being cut.
3. To lock pole in position, tighten clamping lever as shown in Fig. G.

ATTACHING AND ADJUSTING THE AUXILIARY HANDLE

Install the auxiliary handle onto the extension pole.

Tighten the auxiliary handle with the Auxiliary Handle Locking Knob (19). (See Fig. H1)

To adjust the auxiliary handle, unscrew the Auxiliary Handle Locking Knob (19) counter-clockwise to unlock, as indicated. Hold the lever and rotate the Auxiliary Handle (26) to the most comfortable and balanced position (See Fig. H2).

Tighten the Locking Knob (19) clockwise to lock, as indicated.


ADJUSTING THE SAW HEAD ANGLE

The saw head can be rotated for different cutting angles for 0°, 15°, and 30°. (See Fig. I1)

1. Rotate the pole saw head to the desired cutting angle while pressing the Saw Head Adjustment Knobs located on both sides simultaneously. (See Fig. I2)


2. Release the knobs when the pole saw head is set to the desired angle.

NOTE: Failure to properly secure the pole saw head may result in personal injury and/or property damage.


 **WARNING!** Always ensure the pole saw head is securely locked! Do not attempt to use the pole saw with the head in any other position or unlocked!

ADJUSTING THE REAR HANDLE (See Fig. J)

Push the rotating lock button forward to unlock. Hold the rear handle and rotate it to the most comfortable and balanced position. Release the rotating lock button to lock the rear handle.

 **WARNING!** Always make sure that the handle is locked in the desired position before operation. Do not rotate the handle when the saw is being operated.

LUBRICATION


 **IMPORTANT!** The pole saw is not filled with oil. It is essential to fill with oil before use. Never operate the pole saw without chain oil or at an empty oil tank level, as this will result in extensive damage to the product.

NOTE: Chain life and cutting capacity depend on optimum lubrication. Therefore, the chain is automatically oiled during operation.

FILLING OIL TANK (See Fig. K)

 **WARNING:** Removing the battery pack before filling the oil tank.

1. Set pole saw on any suitable surface with Oil Filler Cap (6) facing upward.
2. Clean area around the Oil Filler Cap with cloth and unscrew the cap by turning it counter clockwise.
3. Add bar and chain oil (not included) until tank is full.
4. Avoid dirt or debris entering oil tank, refit Oil Filler Cap (6) and tighten by turning clockwise until hand tight.

 **IMPORTANT:** To allow venting of the oil tank, small breather channels are provided between the Oil Filler Cap and the strainer, to prevent leakage, and ensure machine is left in a horizontal position (Oil Filler Cap (6) uppermost) when not in use. It is important to use only the recommended standard bar and chain oil (Grade: ISO VG32) to avoid damage to the pole saw. This can be found at the location where you purchased this saw or your local hardware store. Never use recycled/old oil. Use of non approved oil will void the warranty.

Do not swallow. If swallowed, call a physician immediately. Keep out of reach of children. Store away from heat or open flame.


Checking the Automatic Oiler

Proper functioning of the automatic oiler can be checked by running the pole saw and pointing the tip of the Guide Bar (7) towards a piece of cardboard or paper on the ground. If an increasing oil pattern develops on the cardboard, the automatic oiler is operating fine. If there is no oil pattern, despite a full oil reservoir, contact WORX customer service agent or WORX approved service agent.

 **CAUTION:** Do not touch the ground with the chain. Ensure safety clearance of 13ft.

OPERATION

1. BEFORE USING YOUR CORDLESS TOOL

 **WARNING!** The charger and battery pack are specially designed to work together so do not attempt to use any other devices. Never insert or allow metallic objects into your charger or battery pack connections because of an electrical failure and hazard will occur.

NOTE: Your battery pack is UNCHARGED and you must charge once before use.

The battery charger supplied is matched to the Li-ion battery installed in the machine. Do not use another battery charger.

2. CHARGING YOUR BATTERY PACK


The Li-ion battery is protected against deep discharging. When the battery is empty, the machine is switched off by means of a protective circuit. In a warm environment or after heavy use, the battery pack may become too hot to permit charging. Allow time for the battery to cool down before recharging.

3. TO REMOVE OR INSTALL BATTERY PACK (See Fig. L1, L2)

Depress the Battery Pack Release Button to remove the Battery Pack from your tool. After recharging, insert the Battery Pack into the battery port. A simple push and slight pressure will be sufficient until a click is heard. Check to see if the battery is fully secured.

NOTE: When removing the battery pack, hold it firmly to avoid dropping and injury.


4. SWITCHING ON AND OFF (See Fig. M)

 **ATTENTION:** Check the battery pack before using your cordless tool. Only use the battery pack listed in the accessories section.

For switching on the tool, press the Lock Off Button (24), then fully press the On/Off Trigger (20) and hold in this position. The Lock Off Button can now be released.

For switching off, release the On/Off Trigger.

5. CUTTING

 **Important:** Is the oil tank filled? Check the Oil Level Window (8) prior to starting and regularly during operation (See Fig. N1). Refill oil when oil level is low. A full oil tank will last approx. 12 minutes of cutting depending on sawing intensity and stops. Check recent replaced chain tension about every 10 minutes during operation.

- (1) Installing the battery pack into the machine.
- (2) Make sure section of log to be cut is not laying on the ground. This will keep the chain (1) from touching the ground as it cuts through the log.

Touching the ground while the Chain is moving is dangerous and will dull the Chain.

- (3) Use both hands to grip saw. Always use left hand to grip main handle and right hand to grip Rear Handle (23). Use a firm grip. Thumbs and fingers must wrap around saw handles. (See Fig. N2)
- (4) Make sure your footing is firm. Keep feet-shoulder width apart. Distribute your weight evenly on both feet.
- (5) When ready to make a cut, push the Lock Off Button (24) completely in with the right thumb and squeeze the trigger. This will turn saw on. Releasing the trigger will turn the saw off. Make sure the saw is running at full speed before starting a cut.
- (6) When starting a cut, slowly place moving chain against the wood. The wood should be as close to the saw body as possible. Hold saw firmly in place to avoid possible bouncing or skating (sideways movement) of saw.
- (7) Guide the saw using light pressure and do not put excessive force on the saw, letting the saw do its work. The motor will overload and can burn out. It will do the job better and safer at the rate for which it was intended.
- (8) Remove the saw from a cut with the saw running at full speed. Stop the saw by releasing the On/off Trigger (20). Make sure the chain has stopped before setting the saw down.
- (9) Keep practicing on scrap logs in a secure working area until you are comfortable, using a fluid motion and a steady cutting rate.

Kickback Safety Devices on This Saw

This saw has a low-kickback chain and reduced kickback Guide Bar. Both items reduce the chance of kickback. However, kickback can still occur with this saw.


The following steps will reduce the risk of kickback.

- Use both hands to grip saw while saw is running. Use firm grip. Thumbs and fingers must wrap around saw handles.
- Keep all safety items in place on saw. Make sure they work properly.
- Keep solid footing and balance at all times.
- Stand slightly to the left side of saw. This keeps your body from being in direct line with chain.
- Do not let Guide Bar nose touch anything when chain is moving.
- Never try cutting through two logs at same time. Only cut one log at a time.
- Do not bury the Guide Bar nose or try plunge cut (boring into wood using Guide Bar nose).
- Watch for shifting of wood or other forces that may pinch chain.
- Use extreme caution when re-entering a previous cut.
- Use only the low-kickback chain and Guide Bar (7) that were supplied with this pole saw or recommended.
- Never use a dull or loose chain. Keep chain sharp with proper tension.

OPERATION FOR POLE SAW

Cutting with extension pole

1. Install the battery pack into the machine.
2. Before cutting a high branch, consider all the same points detailed in the previous section "Trimming Branches" but pay particular attention to the likely path of the falling branch.

 **WARNING:** Do not stand directly below a branch being cut. Keep bystanders far away. Do not stand on a ladder or other type of unstable support while using the tool. Do not use the tool near cable, electrical power or telephone lines. Keep 10 ft (3m) away from all power lines. (See Fig. O1-O4)

3. Use both hands to grip Pole Saw. Use only designated grip areas when operating Pole Saw (See Fig. O5). Use firm grip. Thumbs and fingers must wrap around Pole Saw handle and pole.
4. Make sure your footing is firm. Keep feet apart. Divide your weight evenly on both feet.
5. When ready to make a cut, press the Lock Off Button (24), then fully press the On/off Trigger (20) (See Fig. M). This will turn Pole Saw on. Releasing On/off Trigger will turn Pole Saw off. Make sure saw is running at full speed before starting a cut.
6. When starting a cut, place moving chain against wood. Hold Pole Saw firmly in place to avoid possible bouncing or skating (sideways movement) of saw.
7. Guide Pole Saw using light pressure. Do not force Pole Saw. The motor will overload and can burn out. It will do the job better and safer at the rate for which it was intended.

8. Remove Pole Saw from a cut with saw running at full speed. Stop Pole Saw by releasing trigger. Make sure chain has stopped before setting Pole Saw down.

TRIMMING A TREE (PRUNING)

WARNING: Avoid kickback. Kickback can result in severe injury or death.

See Kickback, to avoid risk of kickback.

WARNING: Do not operate Pole Saw while

- in a tree
- on a ladder or any other unstable surface
- in any awkward position

You may lose control of Pole Saw causing severe injury.

WARNING: Do not extend arms above shoulders when using Pole Saw.

CAUTION: Seek professional help if facing conditions beyond your ability.

Trimming a tree is the process of cutting limbs from a living tree. Make sure your footing is firm. Keep feet apart. Divide your weight evenly on both feet. Follow directions below to trim a tree.

1. Make first cut six inches from tree trunk on underside of limb. Use top of guide bar to make this cut. Cut 1/3 through diameter of limb (See Fig. O6).
2. Move two to four inches farther out on limb. Make second cut from above limb. Continue cut until you cut limb off.
3. Make third cut as close to tree trunk as possible on underside of limb stub. Use top of guide bar to make this cut. Cut 1/3 through diameter of stub.
4. Make fourth cut directly above third cut. Cut down to meet third cut. This will remove limb stub.

SAW MAINTENANCE

Follow maintenance instructions in this manual. Proper cleaning of saw and chain and Guide Bar maintenance can reduce chances of kickback. Inspect and maintain saw after each use. This will increase the service life of your saw.

Note: Even with proper sharpening, risk of kickback can increase with each sharpening.

MAINTENANCE AND STORAGE OF POLE SAW

1. Remove the battery pack

- When not in use
- Before moving from one place to another
- Before servicing
- Before changing accessories or attachments, such as saw chain and guard

2. Inspect pole saw before and after each use.

Check saw closely if guard or other part has been damaged. Check for any damage that may affect operator safety or operation of saw. Check for

alignment or binding of moving parts. Check for broken or damaged parts. Do not use pole saw if damage affects safety or operation. Have damage repaired by authorized service center. To locate an authorized service center, visit www.worx.com.

3. Maintain pole saw with care.

- Never expose saw to rain or direct moisture.
- Keep chain sharp, clean, and lubricated for better and safer performance.
- Follow steps outlined in this manual to sharpen chain.
- Keep handles dry, clean, and free of oil and grease.
- Keep all screws and nuts tight.

4. When servicing, use only identical replacement parts.

5. When not in use, always store pole saw

- in a high or locked place, out of children's reach
- in a dry place
- with bar and chain cover in place

Bar Maintenance

To maximize bar life, the following bar maintenance is recommended.

The bar rails that carry the chain should be cleaned before storing the tool or if the bar or chain appear to be dirty.

The rails should be cleaned every time the chain is removed.

To clean the Bar rails:

1. Remove chain cover and bar and chain. (see section ASSEMBLY)
2. Using a wire brush, screwdriver or similar tool, clear the residue from the inner groove of the bar. (See Fig. P)
3. Make sure to clean oil passages thoroughly

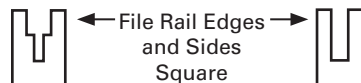
Conditions which require chain and guide bar maintenance:

- Saw cuts to one side or at an angle.
- Saw has to be forced through the cut.
- Inadequate supply of oil to the bar and chain.

Check the condition of the guide bar each time the chain is sharpened. A worn guide bar will damage the chain and make cutting difficult.

After each use, remove the battery pack, clean all sawdust from the guide bar and sprocket hole.

When rail top is uneven, use a flat file to restore square edges and sides.



Worn Groove

Correct Groove

Replace the guide bar when the groove is worn, the guide bar is bent or cracked, or when excess heating or burring of the rails occurs. If replacement is necessary, use only the Guide Bar specified for your saw in the repair parts list or on the decal located on

the pole saw.

Replacing Bar & Chain

Replace chain when cutters are too worn to sharpen or when chain stops. Only use replacement chain noted in this manual.

Inspect guide bar before sharpening chain. A worn or damaged guide bar is unsafe. A worn or damaged guide bar will damage chain. It will also make cutting harder.

Fit the bar tensioning plate tab into the new bar by tightening the screw clockwise. The tab protrusion (a) must be fitted into the bar hole. (See Fig. Q)

SHARPENING SAW CHAIN



WARNING: Unplug chainsaw from power source before servicing. Severe injury or death could occur from electrical shock or body contact with moving chain.

Cutting edges on chain are sharp. Use protective gloves when handling chain.

Keep chain sharp. Your saw will cut faster and more safely. A dull chain will cause undue sprocket, guide bar, chain, and motor wear. If you must force chain into wood and cutting creates only sawdust with few large chips, chain is dull.

LUBRICATE SPROCKET



WARNING: Wear heavy duty gloves when performing any maintenance or service to this tool. Always unplug the tool before performing any service or maintenance on this tool.

NOTE: It is not necessary to remove the chain or bar when lubricating the guide bar sprocket.

1. Clean the bar and sprocket
2. Using a grease gun, insert the tip of the gun into the lubrication hole and inject grease until it appears at the outside edge of the sprocket tip (See Fig. R)
3. To rotate the sprocket pull the chain by hand until the ungreased side of the sprocket is in line with the grease hole. Repeat the lubrication procedure.

For Battery tools

The ambient temperature range for the use and storage of tool and battery is 0°C-45°C (32°F-113°F). The recommended ambient temperature range for the charging system during charging is 0°C-40°C (32°F-104°F).

TROUBLESHOOTING TABLE

The following table gives checks and actions that you can perform if your machine does not operate correctly. If these do not identify/remedy the problem, contact your service agent.



WARNING: Switch off and remove plug from power source before investigating fault.

Symptom	Possible Cause	Remedy
Pole saw fails to operate	Out of battery.	Charge the battery pack.
	Fuse faulty.	Replace fuse.
Pole saw operates intermittently	Over heating	Place the machine in a cool, ventilated place to cool it down
	Applying too much pressure while cutting.	Applying relatively less pressure while cutting
	Loose connection.	Contact service agent 1-866-354-WORX (9679).
	Internal wiring defective.	
	On/Off Trigger defective.	
Dry chain	No oil in reservoir	Refill oil
	Vent in oil filler cap clogged	Clean cap
	Oil passage clogged	Clean oil passage outlet
Chain/chain bar over-heats	No oil in reservoir	Refill oil
	Vent in oil filler cap clogged	Clean cap
	Oil passage clogged	Clean oil passage outlet
	Chain is over tensioned	Adjust chain tension
	Dull chain	Sharpen chain or replace
Chainsaw rips, vibrates, does not saw properly	Chain tension too loose	Adjust chain tension
	Dull chain	Sharpen chain or replace
	Chain worn out	Replace chain
	Chain teeth are facing in the wrong direction	Reassemble with chain in correct direction



www.worx.com

Copyright © 2019, Positec. All Rights Reserved.

Copyright © 2019, Positec. Tous droits réservés.

© Derechos reservados 2019, Positec. Todos los derechos reservados.