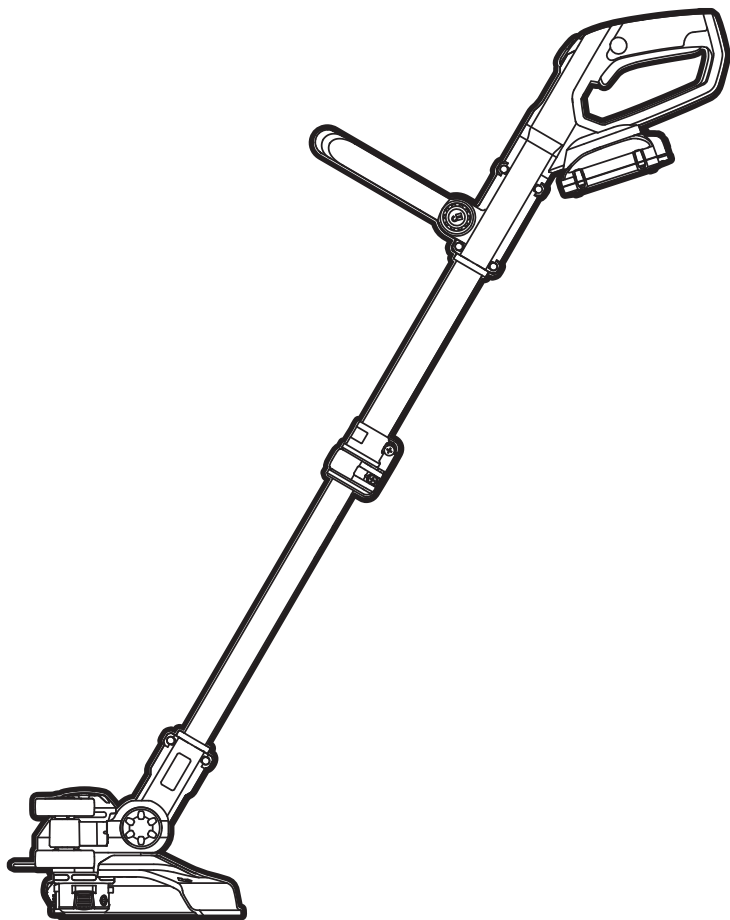


WORX®



2 in 1 Cordless Trimmer/Edger

EN

P02

Coupe gazon/Taille-bordure 2 en 1

F

P14

2 en 1 Cortadora de cesped/Ribeteadora

ES

P23



HELPLINE NUMBER
NUMERO DU SERVICE D'ASSISTANCE
NUMERO DE LINEA DE AYUDA
1-866-354-WORX (9679)

WG163 WG163.1 WG163.2 WG163.3
WG163.4 WG163.5 WG163.9 WG180 WG180.9

PRODUCT SAFETY



WARNING! This product can expose you to chemicals including lead, phthalate or bisphenol A which are known to the State of California to cause cancer, birth defects or other reproductive harm. Wash your hands after use. For more information go to www.P65Warnings.ca.gov.

Important Safety Instructions



WARNING: Read all safety warnings and instructions. Failure to follow the warnings and instructions may result in electric shock, fire and/or serious injury.

FOR ALL APPLIANCES

- 1) Avoid Dangerous Environment - Don't use appliances in damp or wet locations.
- 2) Don't Use In Rain.
- 3) Keep Children Away - All visitors should be kept at a distance from work area.
- 4) Dress Properly - Do not wear loose clothing or jewelry. They can be caught in moving parts. Use of rubber gloves and substantial footwear is recommended when working outdoors. Wear protective hair covering to contain long hair.
- 5) Use Safety Glasses - Always use face or dust mask if operation is dusty.
- 6) Use Right Appliance - Do not use appliance for any job except that for which it is intended.
- 7) Don't Force Appliance - It will do the job better and with less likelihood of a risk of injury at the rate for which it was designed.
- 8) Don't Overreach - Keep proper footing and balance at all times.
- 9) Stay Alert - Watch what you are doing. Use common sense. Do not operate appliance when you are tired.
- 10) Store Idle Appliances Indoors - When not in use, appliances should be stored indoors in dry, and high or locked-up place - out of reach of children.
- 11) Maintain Appliance With Care - Keep cutting edge sharp and clean for best performance and to reduce the risk of injury. Follow instructions for lubricating and changing accessories. Keep handles dry, clean, and free from oil and grease.
- 12) Check Damaged Parts - Before further use of the appliance, a guard or other part that is damaged should be carefully checked to determine that it will operate properly and perform its intended function. Check for alignment of moving parts, binding of moving parts, breakage of parts, mounting, and any other condition that may affect its operation. A guard or other part that is damaged should be properly repaired or replaced by an authorized service center unless indicated elsewhere in this manual.

FOR ALL BATTERY - OPERATED GARDENING APPLIANCES:

1. Prevent unintentional starting. Ensure the switch is in the off-position before connecting to battery pack, picking up or carrying the appliance. Carrying the appliance with your finger on the switch or energizing appliance that have the switch on invites accidents.
2. Disconnect the battery pack from the appliance before making any adjustments, changing accessories, or storing appliance. Such preventive safety measures reduce the risk of starting the appliance accidentally.
3. Recharge only with the charger specified by the manufacturer .A charger that is suitable for one type of battery pack may create a risk of fire when used with another battery pack.
4. Use appliances only with specifically designated battery packs. Use of any other battery packs may create a risk of injury and fire.
5. When battery pack is not in use, keep it away from other metal objects, like paper clips, coins, keys, nails, screws or other small metal objects, that can make a connection from one terminal to another. Shorting the battery terminals together may cause burns or a fire.
6. Under abusive conditions, liquid may be ejected from the battery; avoid contact. If contact accidentally occurs, flush with water. If liquid contacts eyes, additionally seek medical help. Liquid ejected from the battery may cause irritation or burns.
7. Do not use a battery pack or appliance that is damaged or modified. Damaged or modified batteries may exhibit unpredictable behavior resulting in fire, explosion or risk of injury.
8. Do not expose a battery pack or appliance to fire or excessive temperature. Exposure to fire or temperature above 130°C may cause explosion.
9. Follow all charging instructions and do not charge the battery pack or appliance outside of the temperature range specified in the instructions. Charging improperly or at temperatures outside of the specified range may damage the battery and increase the risk of fire.
10. Have servicing performed by a qualified repair person using only identical replacement parts. This will ensure that the safety of the product is maintained.
11. Do not modify or attempt to repair the appliance or the battery pack (as applicable) except as indicated in the instructions for use and care.

ADDITIONAL SAFETY RULES FOR LAWN TRIMMER AND EDGE TRIMMER

1. Keep guards in place and in good working order.
2. Keep hands and feet away from cutting area.
3. Do not use heavier lines than recommended in this manual.
4. Do not use line materials of other types - for example, metal wire, rope, and the like.

SAFETY WARNINGS FOR BATTERY PACK












- a) **Do not dismantle, open or shred battery pack.**
- b) **Do not expose battery pack to heat or fire. Avoid storage in direct sunlight.**
- c) **Do not short-circuit a battery pack. Do not store battery packs haphazardly in a box or drawer where they may short-circuit each other or be short-circuited by other metal objects.** When battery pack is not in use, keep it away from other metal objects, like paper clips, coins, keys, nails, screws or other small metal objects, that can make a connection from one terminal to another. Shorting the battery terminals together may cause burns or fire.
- d) **Do not remove battery pack from its original packaging until required for use.**
- e) **Do not subject battery pack to mechanical shock.**
- f) **In the event of battery leaking, do not allow the liquid to come in contact with the skin or eyes. If contact has been made, wash the affected area with copious amounts of water and seek medical advice.**
- g) **Observe the plus (+) and minus (-) marks on the battery back and equipment and ensure correct use.**
- h) **Do not use any battery pack which is not designed for use with the equipment.**
- i) **Keep battery pack out of the reach of children.**
- j) **Seek medical advice immediately if a cell or battery has been swallowed.**
- k) **Always purchase the battery pack recommended by the device manufacturer for the equipment.**
- l) **Keep battery pack clean and dry.**
- m) **Wipe the battery pack terminals with a clean dry cloth if they become dirty.**
- n) **Battery pack need to be charged before use. Always use the correct charger and refer to the manufacturer's instructions or equipment manual for proper charging instructions.**
- o) **Do not leave battery pack on prolonged charge when not in use.**
- p) **After extended periods of storage, it may be necessary to charge and discharge the battery pack several times to obtain maximum performance.**
- q) **Battery pack gives its best performance when it is operated at normal room temperature (20 °C ± 5 °C).**
- r) **When disposing of battery packs, keep battery packs of different electrochemical systems separate from each other.**
- s) **Recharge only with the charger specified by WORX. Do not use any charger other than that specifically provided for use with the equipment.** A charger that is suitable for one type of battery pack may create a risk of fire when used with another battery pack.
- t) **Retain the original product literature for**

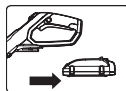
future reference.

- u) **Use only the battery pack in the application for which it was intended.**
- v) **Remove the battery pack from the equipment when not in use.**
- w) **Dispose of properly.**

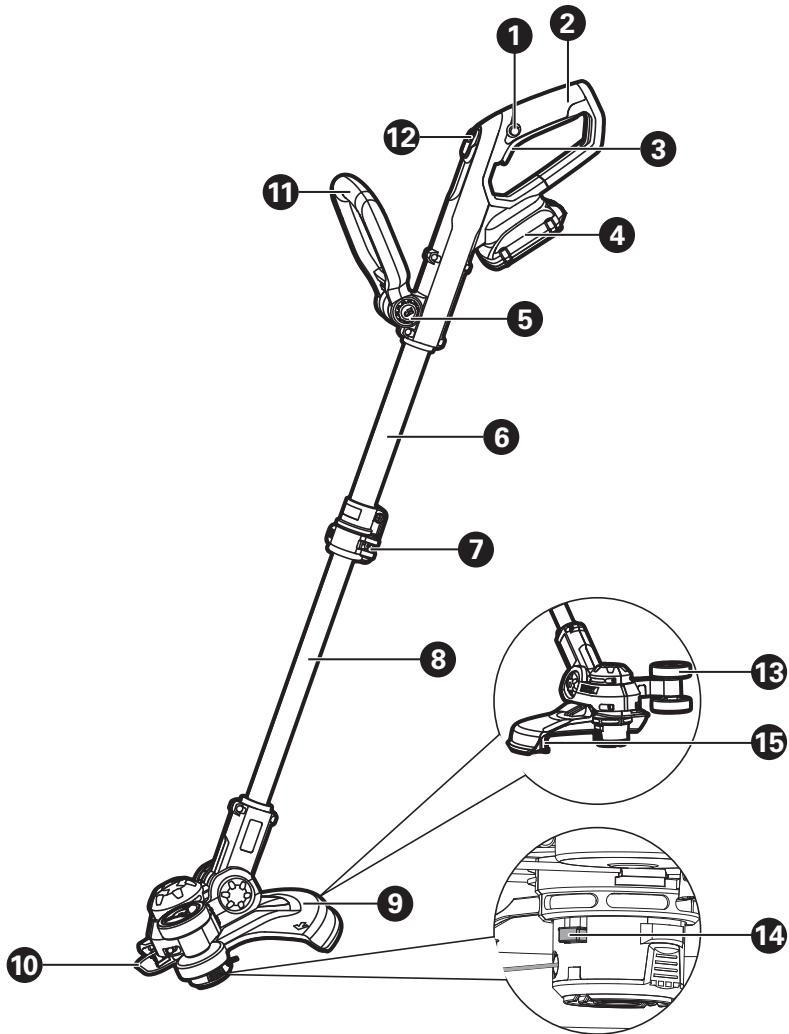
SAVE THESE INSTRUCTIONS

SYMBOLS

	To reduce the risk of injury, user must read instruction manual
	Wear ear protection
	Wear eye protection
	Do not burn
	Do not expose to rain or water
 Li-Ion	Li-Ion battery, battery must be recycled
	<p>call2recycle®</p> <p>POSITEC Inc. has established a partnership with the RBRC Corporation to recycle any Positec batteries with the RBRC-call2recycle seal. For environmental protection, please do not discard batteries in the trash. After the batteries' life cycle is ended, then please call 1-800-822-8837 for a free service that will properly dispose of the battery.</p>
	Edging
	Trimming
	Lock
	Unlock



Make sure the battery is removed prior to changing accessories



1. LOCK OFF BUTTON
2. REAR HANDLE
3. ON/OFF SWITCH
4. BATTERY PACK *
5. HANDLE UNLOCK BUTTON
6. UPPER SHAFT
7. LOCKING COLLAR
8. LOWER SHAFT
9. SAFETY GUARD
10. FLOWER GUARD
11. AUXILIARY HANDLE
12. COMMAND FEED BUTTON
13. EDGER WHEEL
14. LINE FEED BUTTON
15. LINE CUTTER

* Not all the accessories illustrated or described are included in standard delivery.

TECHNICAL DATA

	WG163	WG163.1	WG163.2	WG163.3	WG163.4	WG163.5	WG163.9	WG180	WG180.9
Voltage	20V \equiv MAX.*						40V \equiv MAX.**		
No load speed	7600/min								
Cutting diameter	12inch (30cm)								
Line diameter	0.065inch (1.65mm)								
Charging time	5hrs			6-7hrs approx.		/	8hrs		/
Machine weight	5.3lbs (2.4 kg)					4.6lbs (2.1 kg)		5.9lbs (2.7kg)	4.6 lbs

*Voltage measured without workload. Initial battery voltage reaches maximum of 20 volts. Nominal voltage is 18 volts.

**Voltage measured without workload. Initial battery voltage reaches maximum of 40 volts. Nominal voltage is 36 volts.

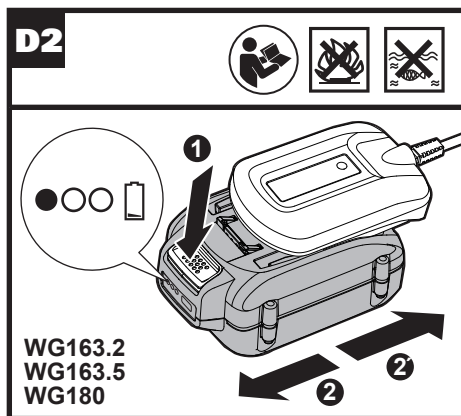
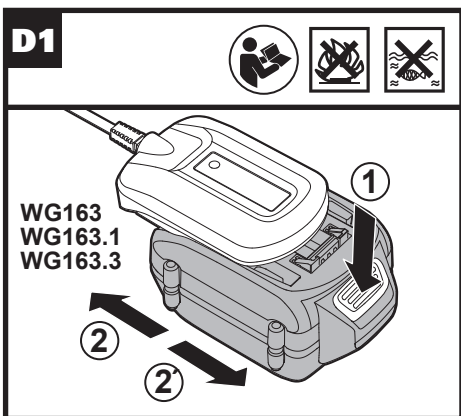
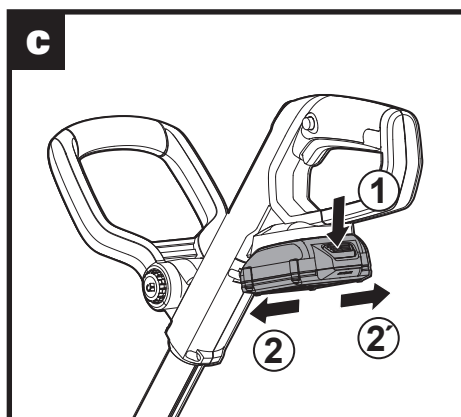
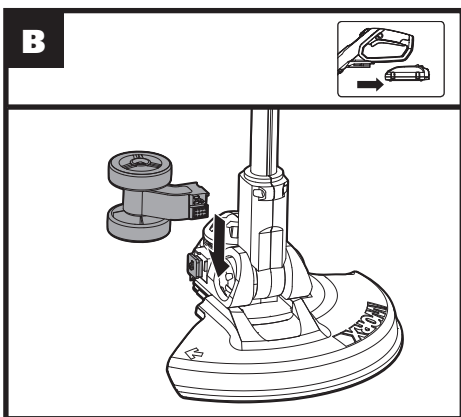
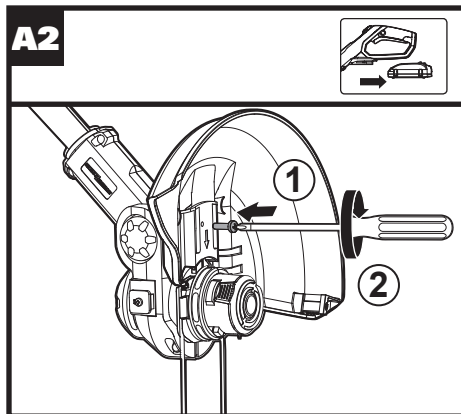
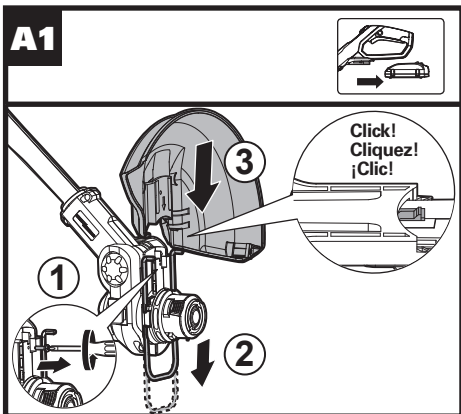
ACCESSORIES

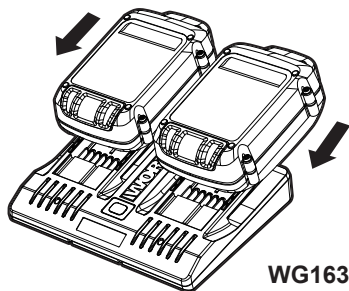
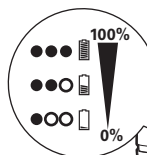
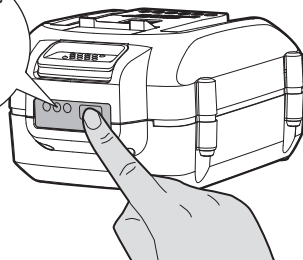
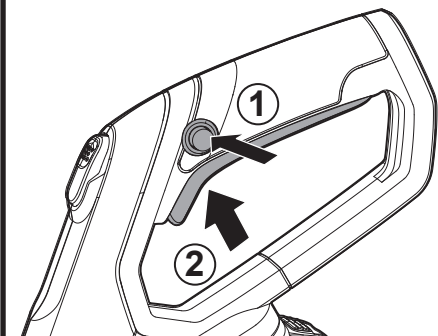
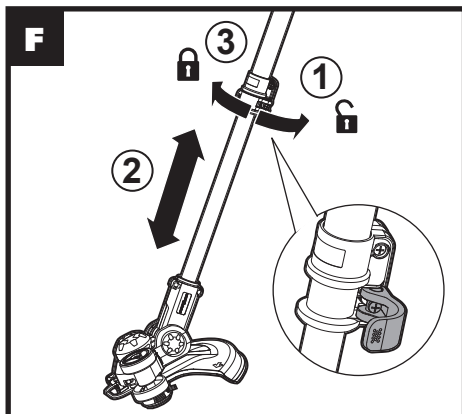
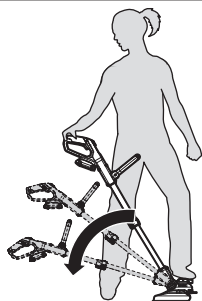
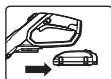
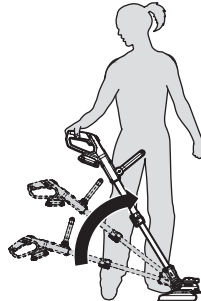
	WG163	WG163.1	WG163.2	WG163.3	WG163.4	WG163.5	WG163.9	WG180	WG180.9
Safety guard	1	1	1	1	1	1	1	1	1
Flower guard	1	1	1	1	1	1	1	1	1
Charger	1(WA3742)	1(WA3742)	1(WA3742)	1(WA3742)	1(WA3875)	1(WA3742)	/	1(WA3747)	/
Battery pack	2(WA3525)	2(WA3525)	1(WA3575)	2(WA3525)	3(WA3525)	2(WA3577)	/	1(WA3580)	/
Edger wheel	1	1	1	1	1	1	1	1	1
Spool (WA0004)	1	6	1	1	1	2	1	1	1
wall mount (WA0138)	/	/	/	1	/	/	/	/	/
spool holder (WA0044)	/	/	/	1	/	1	/	/	/

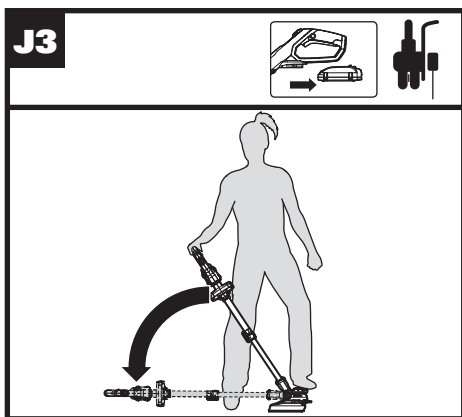
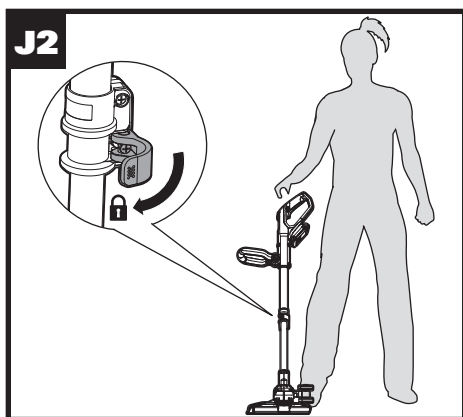
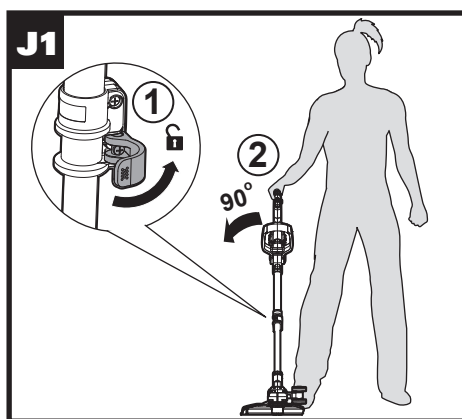
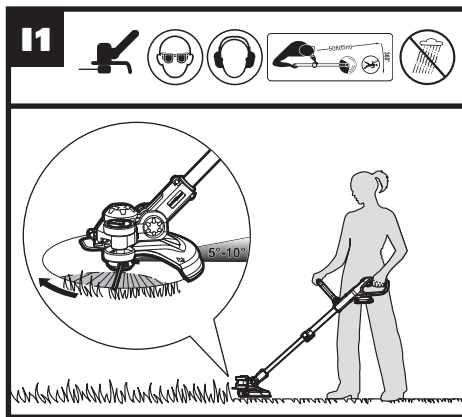
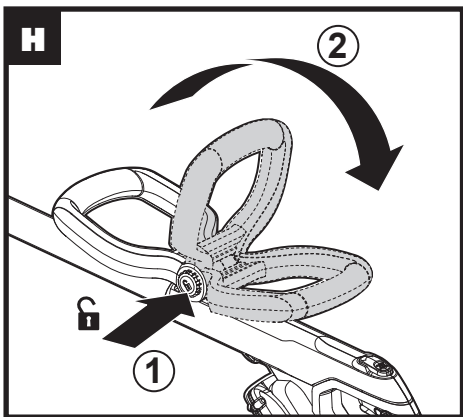
Only use the appropriate accessories intended for this tool. Accessory information can be found on the product packaging, at a WORX dealer or on our website at www.worx.com.

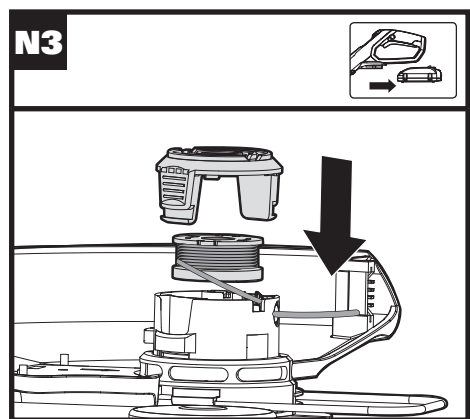
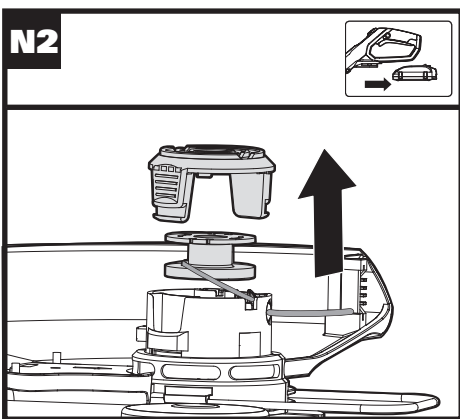
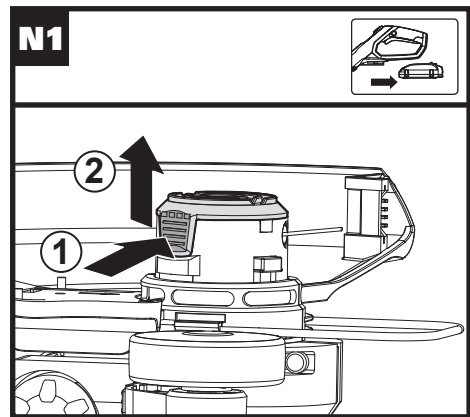
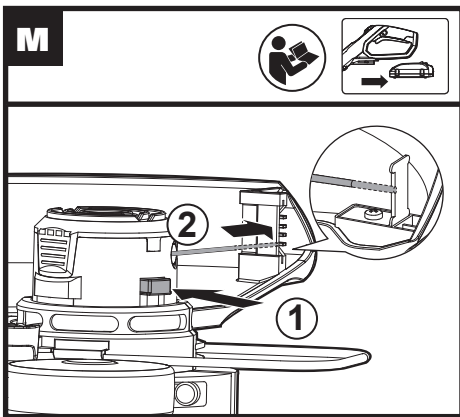
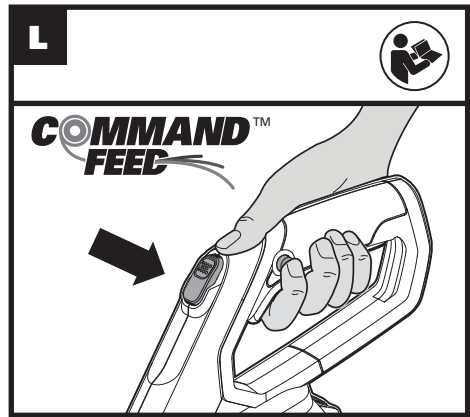
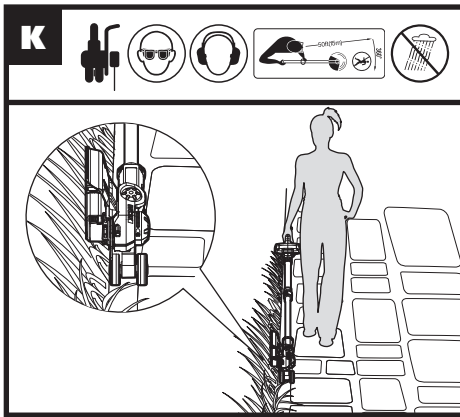


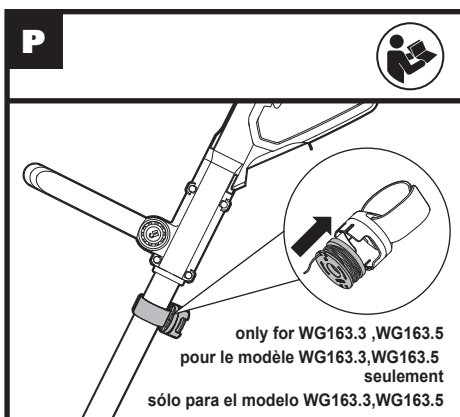
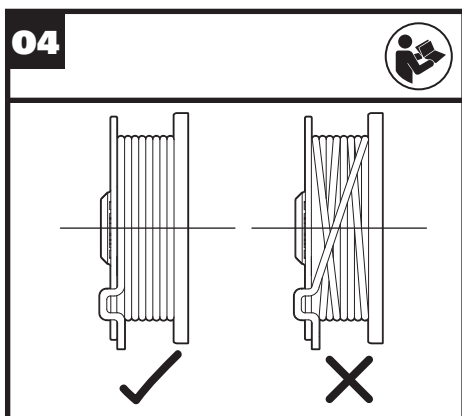
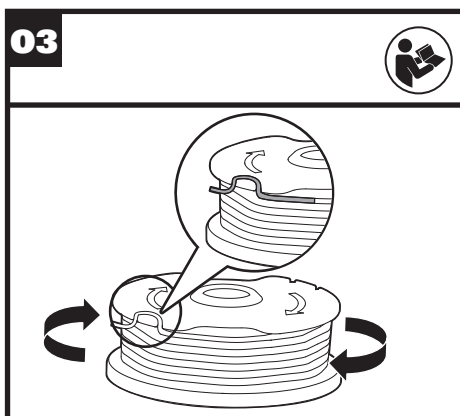
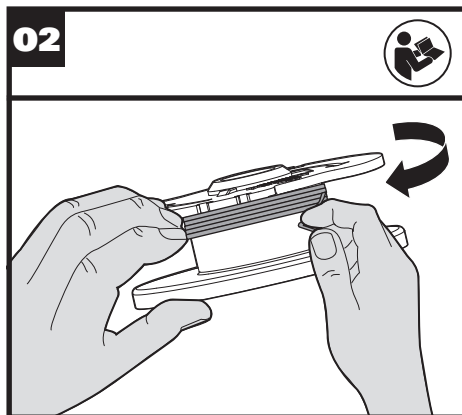
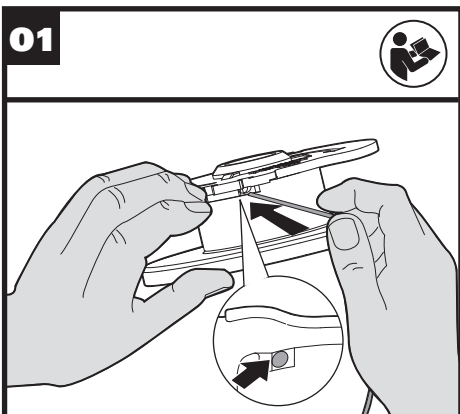
WARNING: Any other accessory or attachment may increase the risk of injury.




D3**WG163.4****D4****WG163.2
WG163.5
WG180****E****F****G1****G2**







ASSEMBLY & OPERATION

Action	Figure
ASSEMBLY	
Assembling the Safety Guard	See Fig. A1 & A2
Mounting the Edger Wheel	See Fig. B
Installing and Removing the Battery Pack	See Fig. C
Charging the battery pack More details can be found in charger's manual	See Fig. D1, D2, D3, D4
 Warning! The charger and battery pack are specially designed to work together so do not attempt to use any other devices. Never insert or allow metallic objects into your charger or battery pack connections because of an electrical failure and hazard will occur.	
OPERATION	
Safety ON/OFF Switch	See Fig. E
Trimming	
- Adjusting the Shaft	See Fig. F
- Adjusting the Trimmer Head	See Fig. G1, G2
- Adjusting the Auxiliary handle	See Fig. H
- Trimming	See Fig. I1
- Using the Flower Guard	See Fig. I2
Edging	
- Changing the tool into the Edging mode	See Fig. J1, J2, J3
- Edging	See Fig. K
Command feeding the line -Note:Press as needed.	See Fig. L
Manually feeding the line	See Fig. M
Replacing the trimmer Spool	See Fig. N1, N2, N3
Manually winding the line	See Fig. O1, O2, O3, O4
Spool holder (Only for WG163.3,WG163.5) Note: Allows for an additional spool to be stored on the tool.	See Fig. P

LINE FEEDING/WINDING INSTRUCTION

1. Automatic line feed system

When initially switching on the trimmer, a small length of line is fed out. Each time the tool is started from rest it will advance about 0.25 inches of trimmer line.

A 'clattering' noise will be heard when the lines hit the Line Cutter. **DO NOT BE ALARMED.** This is quite normal. After about 5 seconds the line will be cut to the correct length and the noise will reduce as the motor gains full speed.

If the noise of the line being cut can't be heard, more line will need to be fed out.

To feed more line, it is first necessary to allow the trimmer to stop completely; it must come to a complete rest, then restart, allowing the motor to reach full speed.

Repeat above until you hear the line hitting against the Line Cutter.



2. (See Fig. L)

Your trimmer is equipped with a Command Feed System. For efficiently feeding the line, just press the command feed button while the machine is running until you hear the 'clattering' noise of the line cutting. The motor will shut off when pressing the Command Feed button and will restart when releasing the button. During that process the line will automatically feed additional line for cutting.

3. Manually feeding the line (See Fig. M)

Turn off the trimmer and remove the battery. If required, line can be fed out manually. To operate, press and release manual Line Feed Button, while gently pulling out the line until it is long enough to reach the Line Cutter. If the line extends past the Line Cutter, too much line has been fed out. If too much line is fed out, remove the Spool Cap and turn Spool counter-clockwise until the line is at the desired length.

4. Manually winding the line (See Fig. O1, O2, O3, O4)

Take approximately 10ft (3m) of line. Insert 5/8 inch (15mm) of line into the Spool holes and wind line in the direction of the arrows on the top of the Spool. Leave approximately 4 inches (100mm) of line unwound and place into the cleat. Ensure that the line is neatly coiled on the Spool. Failure to do so will impair the efficiency of the automatic line feed. Then fit the Spool as shown in Fig. N1, N2, N3

MAINTENANCE

After use, disconnect the battery from the tool and check for damage.
Your power tool requires no additional lubrication or maintenance. There are no user serviceable parts in your power tool. Never use water or chemical cleaners to clean your power tool. Wipe clean with a dry cloth. Always store your power tool in a dry place, and out of the reach of children. Keep the motor ventilation slots clean. Keep all working controls free of dust.

For Battery tools

The ambient temperature range for the use and storage of tool and battery is 0°C-45°C.
The recommended ambient temperature range for the charging system during charging is 0°C-40°C.

TROUBLESHOOTING

The following table gives problems and actions that you can perform if your machine does not operate correctly. If these do not identify and correct the problem, contact your WORX Customer Service at 1-866-354-WORX.



WARNING: Switch the machine off and remove the battery prior to any troubleshooting.

Problems	Possible Causes	Corrective Action
Trimmer fails to operate.	Battery discharged. Battery too hot/cold. Motor is broken. Internal wiring of machine damaged.	Recharge battery; also see the content in charger manual Allow to cool/warm. Contact Service Agent. Contact Service Agent.
Trimmer runs intermittently.	Motor is broken. Battery not fully charged. On/Off switch defective.	Contact Service Agent. Recharge battery. Contact Service Agent.
Excessive vibrations/noise.	Machine defective. Line spool is not wound well.	Contact Service Agent. Rewind the line. See "MANUALLY WINDING THE LINE" (Fig. O1, O2, O3, O4).
Cutting time per battery charge too short.	Battery has not been used for long period or only charged for short term. Grass too high. Battery defective.	Recharge battery; also see the content in charger manual. Cut in stages. Replace the battery.
Machine does not cut.	Line broken. Battery not fully charged. Motor is broken (speed is too low). Grass entangled around cutting head.	Replace the line Recharge battery; also see the content in charger manual. Contact Service Agent. Remove grass.
Continuous lighting of the battery charge indicator. No charging procedure possible.	Battery not (properly) inserted. Battery contacts contaminated. Battery defective.	Properly insert battery into battery charger. Clean the battery contacts or replace the battery. Replace the battery.
Battery charge indicator does not light up.	Plug of battery charger not plugged in (properly). Socket outlet, mains cable or battery charger defective.	Insert mains plug (fully) into the socket outlet. Check the mains voltage; have the battery charger checked by an authorized after-sales service agent.
Command feed does not work	Cutting line is not wound well. The line is tangled. Line is used up.	Manually feed the line, if still cannot feed out, remove the Spool out and rewind the line. Replace with a new spool of line.

SÉCURITÉ DU PRODUIT

AVERTISSEMENT: Ce produit peut vous exposer à des produits chimiques, incluant au plomb, au phtalate ou au bisphénol A, qui sont reconnus dans l'État de Californie comme pouvant causer un cancer, des anomalies congénitales ou d'autres dommages à l'appareil reproducteur. Assurez-vous de bien vous laver les mains après usage. Pour en savoir plus, veuillez consulter le site www.P65Warnings.ca.gov.

CONSIGNES DE SÉCURITÉ

AVERTISSEMENT: Lisez et assimilez toutes les instructions. Le non-respect des instructions ci-après peut entraîner un risque de choc électrique, d'incendie et/ou de blessures graves.

POUR TOUS LES APPAREILS

- 1) Évitez les environnements dangereux. N'utilisez pas les appareils dans des environnements très humides ou mouillés.
- 2) N'utilisez pas sous la pluie.
- 3) Tenez les enfants éloignés. Tous les visiteurs devraient se tenir éloignés de l'aire de travail.
- 4) Habillez-vous convenablement. Ne portez pas des vêtements lâches ou des bijoux. Ils peuvent se prendre dans les pièces en mouvement. L'utilisation de gants de caoutchouc et chaussures épaisses est recommandée lors de travaux extérieurs. Portez une protection pour cheveux afin de contenir les cheveux longs.
- 5) Utilisez des lunettes de sécurité. Toujours porter un masque pour le visage ou pour la poussière si l'opération est poussiéreuse.
- 6) Utilisez le bon appareil. N'utilisez pas l'appareil pour tout autre travail que pour celui auquel il est destiné.
- 7) Ne forcez pas l'appareil. Il va faire un meilleur travail et avec moins de risques de blessure en travaillant au taux de charge pour lequel il a été conçu.
- 8) N'essayez pas d'utiliser l'appareil hors de votre portée normale. Gardez votre équilibre et les pieds bien ancrés en tout temps.
- 9) Restez alerte. Faites attention à ce que vous faites. Utilisez le bon sens. N'utilisez pas l'appareil lorsque vous êtes fatigué.
- 10) Entreposez à l'intérieur les appareils qui ne sont pas utilisés fréquemment. Lorsqu'inutilisés, les appareils devraient être entrepoisés à l'intérieur dans un endroit sec, élevé et gardé sous clef, hors de la portée des enfants.
- 11) Entretenez les appareils avec soins. Gardez les arêtes de coupe aiguisées et propres pour une meilleure performance et risque réduit de blessure. Suivez les instructions pour lubrifier et changer les accessoires. Gardez les poignées sèches, propres, et libres d'huile et de graisse.
- 12) Vérifier les pièces endommagées. Avant d'employer l'appareil, une garde ou autre pièce endommagée devrait être soigneusement

vérifiée afin de déterminer qu'elle fonctionnera correctement et exécutera la fonction pour laquelle elle a été conçue. Vérifier l'alignement des parties mobiles, leur pincement, la brisure de pièces, montage, et toute autre condition qui peut affecter son opération. Une garde ou autre pièce endommagée devrait être correctement réparée ou remplacée par un centre de service autorisé à moins d'avis contraire ailleurs dans ce manuel.

CONSIGNES DE SECURITE POUR TOUS LES APPAREILS DE JARDINAGE FONCTIONNANT AVEC UNE BATTERIE

1. Pour éviter le démarrage non intentionnel, s'assurer que le bouton de démarrage est en position d'arrêt avant de brancher l'appareil au chargeur ou de le prendre ou de le transporter. Un accident pourrait arriver si vous vous promenez avec l'appareil avec le doigt sur l'interrupteur ou sur le dispositif de charge dont l'interrupteur est en position de charge.
2. Débranchez le bloc de batterie de l'appareil avant de faire des réglages, de remplacer des accessoires ou de ranger l'appareil. De telles mesures de sécurité réduisent les risques de démarrer l'appareil accidentellement.
3. Rechargez le bloc batterie uniquement avec le chargeur spécifié par WORX. Un chargeur adapté à un type de batterie peut entraîner un risque d'incendie lorsqu'il est utilisé avec une autre batterie.
4. Utilisez les appareils uniquement avec les batteries spécifiquement indiquées. L'utilisation de toute autre batterie pourrait créer un risque de lésions et d'incendie.
5. Lorsque la batterie n'est pas utilisée, tenez la à l'écart d'autres objets métalliques, tels que les trombones, les pièces de monnaie, les clefs, les clous, les vis ou d'autres petits objets métalliques, qui peuvent établir la connexion d'une borne à l'autre. Court-circuiter les bornes de la batterie peut provoquer des brûlures ou un incendie.
6. Dans des conditions d'utilisation abusive, du liquide pourrait s'éjecter de la batterie; évitez tout contact. Si vous entrez accidentellement en contact avec le liquide, passez la partie du corps touchée sous le robinet. Si vos yeux entrent en contact avec le liquide, vous devez consulter immédiatement un médecin. Le liquide expulsé de la batterie peut causer des irritations ou des brûlures.
7. Ne pas utiliser une batterie ou un appareil qui est endommagé ou modifié. Les batteries endommagées ou modifiées peuvent présenter des comportements imprévisibles entraînant un incendie, une explosion ou le risque de blessures.
8. Ne pas exposer une batterie ou un appareil au feu ou à une température excessive. L'exposition au feu ou à une température au-dessus de 130°C pourrait causer une explosion.
9. Respecter toutes les consignes de charge et ne

pas charger la batterie ou l'appareil en dehors de l'aplage de température indiquée dans les consignes. Mal charger ou à des températures en dehors de la plage indiquée peut endommager la batterie et accroître le risque d'incendie.

10. Faites faire le service par un technicien de réparation compétent qui ne doit utiliser que des pièces de rechange identiques. Ceci maintiendra la sécurité du produit.
11. Ne pas modifier ou essayer de réparer l'appareil ou la batterie (selon le cas) sauf comme indiqué dans les consignes d'utilisation et d'entretien.

PRÉCAUTIONS SUPPLÉMENTAIRES POUR L'UTILISATION DU COUPE-BORDURES

1. Gardez les carters en place et en bon état de fonctionnement.
2. Gardez les mains et les pieds éloignés de la zone de coupe.
3. N'utilisez pas de fils plus épais que ceux recommandés dans ce manuel.
4. N'utilisez pas d'autres types de matériaux pour les fils- par exemple, fil métallique, corde, etc.

CONSIGNES GÉNÉRALES DE SÉCURITÉ CONCERNANT LA BATTERIE












- a) **Ne pas démonter, ouvrir ou déchiquter le bloc batterie.**
- b) **Ne pas exposer le bloc batterie à la chaleur ou au feu. Évitez de ranger la batterie dans un endroit exposé à la lumière directe du soleil.**
- c) **Ne pas court-circuiter une batterie. Ne stockez pas les blocs batterie en vrac dans une boîte ou un tiroir où ils peuvent se court-circuiter ou être court-circuités par d'autres objets métalliques.** Lorsque le bloc batterie n'est pas utilisé, conservez-le loin d'autres objets métalliques, tels que des trombones, des pièces de monnaie, des clés, des clous, des vis ou d'autres objets métalliques de petite taille, qui pourraient établir une connexion d'un terminal à l'autre. Le fait de créer un court-circuit entre les bornes de la batterie peut causer des brûlures ou des incendies.
- d) **Ne pas retirer la batterie de son emballage d'origine avant utilisation dans l'appareil.**
- e) **Ne pas soumettre la batterie à des chocs mécaniques.**
- f) **En cas de fuite de la batterie, ne pas laisser le liquide entrer en contact avec la peau ou les yeux. Si un contact a été effectué, laver la zone touchée avec beaucoup d'eau et consulter un médecin.**
- g) **Respecter les marques plus (+) et moins (-) sur le bloc batterie et sur l'appareil et veiller à bien le positionner.**
- h) **Ne pas utiliser de batterie qui n'a pas été conçue pour être utilisée avec cet appareil.**
- i) **Maintenez la batterie hors de portée des enfants.**
- j) **Consultez immédiatement un médecin si une cellule ou une batterie a été avalée.**
- k) **Achetez toujours une batterie**

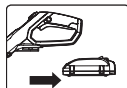
recommandée par le fabricant de l'appareil.

- l) **Conservez le bloc batterie propre et sec.**
- m) **Essuyez les bornes de la batterie avec un chiffon propre et sec si elles deviennent sales.**
- n) **La batterie doit être chargée avant son utilisation. Utilisez toujours le chargeur adapté et reportez-vous aux instructions du fabricant ou au manuel de l'équipement pour suivre les instructions concernant la procédure de charge.**
- o) **Ne laissez pas le bloc batterie en charge prolongée lorsqu'il n'est pas utilisé.**
- p) **Après de longues périodes de stockage, il peut être nécessaire de charger et de décharger la batterie plusieurs fois pour obtenir des performances optimales.**
- q) **La batterie offre de meilleures performances lorsqu'elle est utilisée à température ambiante normale (68 °F ± 9 °F).**
- r) **Lors de l'élimination des batteries, conservez les blocs batteries de différents systèmes électrochimiques séparés les uns des autres.**
- s) **Rechargez le bloc batterie uniquement avec le chargeur spécifié par WORX. N'utilisez pas un chargeur autre que celui spécifiquement conçu pour être utilisé avec l'équipement.** Un chargeur adapté à un type de batterie peut entraîner un risque d'incendie lorsqu'il est utilisé avec une autre batterie.
- t) **Conservez la documentation originale du produit pour référence ultérieure.**
- u) **Utilisez uniquement la batterie dans l'application pour laquelle elle a été prévue.**
- v) **Retirez la batterie de l'équipement lorsqu'il n'est pas utilisé.**
- w) **Éliminez la batterie de façon adéquate.**

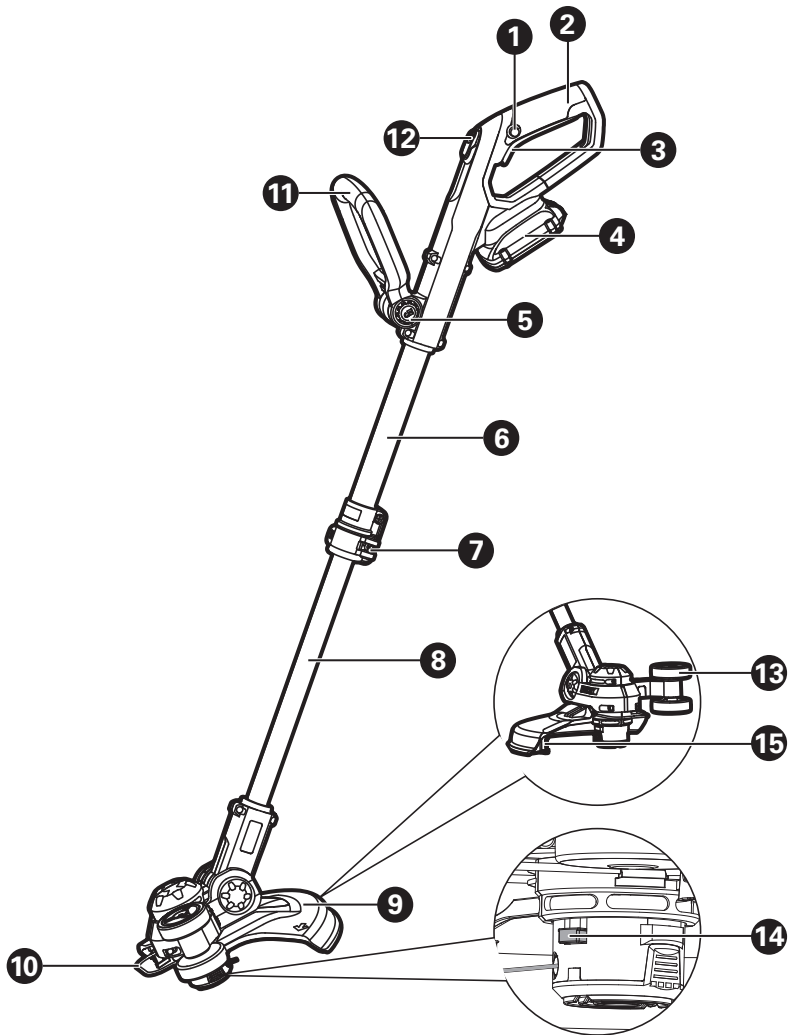
CONSERVEZ CES INSTRUCTIONS

SYMBOLES

	Afin de réduire les risques de blessure, l'utilisateur doit lire ce mode d'emploi
	Portez une protection auditive
	Portez un protecteur oculaire
	Ne pas jeter au feu
	Ne pas exposer à la pluie et à l'eau
 Li-Ion	Batterie Li-ion. Les batteries doivent être recyclées en collecte sélective.
	call2recycle® POSITEC Inc. a formé un partenariat avec RBRC Corporation pour le recyclage des batteries Positec portant le sceau RBRC-call2recycle. Pour la protection de l'environnement, veillez à ne pas jeter les batteries aux poubelles. À la fin du cycle de vie de la batterie, appelez 1-800-822-8837 pour un service gratuit qui mettra la batterie au rebut selon les règles de l'art.
	Tonte de bordure
	Tonte
	Verrouiller
	Déverrouiller



Par mesure de sécurité, enlevez la batterie avant de remplacer des accessoires.



- 1. BOUTON DE VERROUILLAGE**
- 2. POIGNÉE ARRIÈRE**
- 3. INTERRUPTEUR MARCHE/ARRÊT**
- 4. BLOCS-PILES ***
- 5. MAINTENIR LE BOUTON DE VERROUILLAGE**
- 6. PARTIE SUPÉRIEURE DU MANCHE**
- 7. COLLIER DE BLOQUAGE**
- 8. PARTIE INFÉRIEURE DU MANCHE**
- 9. GARDE DE SÉCURITÉ**
- 10. PROTECTION DES FLEURS**
- 11. POIGNÉE AUXILIAIRE**
- 12. BOUTON DE COMMANDE D'ALIMENTATION**
- 13. BOBINE DU COUPE-BORDURE**
- 14. BOUTON D'ALIMENTATION DU CORDON DE COUPE**
- 15. COUPEUR DE CORDON DE COUPE**

* Les accessoires illustrés ou décrits ne sont pas tous compris dans le cadre de la livraison standard.

DONNÉES TECHNIQUES

	WG163	WG163.1	WG163.2	WG163.3	WG163.4	WG163.5	WG163.9	WG180	WG180.9
Tension	20V === MAX.*							40V === MAX.**	
Vitesse à vide	7600/min								
Diamètre de coupe	30cm (12po.)								
Diamètre du fil	1.65mm (0.065po.)								
Temps de chargement	5hrs		Environ 6-7hrs		/		8hrs		/
Poids de la machine	2.4kg (5.3lbs)				2.1kg (4.6lbs)		2.7kg (5.9lbs)		2.1kg (4.6 lbs)

*Tension mesurée hors fonctionnement. La tension initiale de la batterie atteint le maximum de 20 volts. La tension nominale est de 18V.

**Tension mesurée hors fonctionnement. La tension initiale de la batterie atteint le maximum de 40 volts. La tension nominale est de 36V.

ACCESSOIRES


	WG163	WG163.1	WG163.2	WG163.3	WG163.4	WG163.5	WG163.9	WG180	WG180.9
Garde de sécurité	1	1	1	1	1	1	1	1	1
Protection des fleurs	1	1	1	1	1	1	1	1	1
Chargeur	1(WA3742)	1(WA3742)	1(WA3742)	1(WA3742)	1(WA3875)	1(WA3742)	/	1(WA3747)	/
Bloc-Piles	2(WA3525)	2(WA3525)	1(WA3575)	2(WA3525)	3(WA3525)	2(WA3577)	/	1(WA3580)	/
Bobine du coupe-bordure	1	1	1	1	1	1	1	1	1
Bobine (WA0004)	1	6	1	1	1	2	1	1	1
Support Mural (WA0138)	/	/	/	1	/	/	/	/	/
Support de bobine (WA0044)	/	/	/	1	/	1	/	/	/

N'utilisez que les accessoires compatibles à cet outil. Les informations des accessoires peuvent être trouvées sur l'emballage du produit, chez un détaillant WORX ou sur notre site Web www.worx.com.



AVERTISSEMENT: l'utilisation de tout autre accessoire ou attache pourrait accroître le risqué de blessure.

ASSEMBLAGE & FONCTIONNEMENT

ACTION	SCHEMA
ASSEMBLAGE	
Montage de la garde de sécurité	Voir Fig. A1, A2
Montage de la roue de bord	Voir Fig. B
Installation et remplacement du bloc de batterie	Voir Fig. C
Chargement de la batterie Des informations supplémentaires sont disponibles dans le manuel du chargeur	Voir Fig. D1, D2, D3
 AVERTISSEMENT : Le chargeur et le bloc-piles ont été conçus spécifiquement pour travailler ensemble, alors ne tentez pas d'utiliser d'autres dispositifs. Ne jamais insérer ou permettre que des objets métalliques soient introduits dans les bornes de connexions de votre chargeur ou bloc-pile, parce qu'une défaillance électrique et un danger vont se produire.	
Fonctionnement	
Interrupteur Marche/Arrêt de Sécurité	Voir Fig. E
Tonte	
- Ajustement de l'arbre	Voir Fig. F
- Réglage de la tête du coupe-bordure	Voir Fig. G1, G2
- Réglage de la poignée auxiliaire	Voir Fig. H
- Tonte	Voir Fig. I1
- Utilisation de la grille de protection de la fleur	Voir Fig. I2
Tonte de bordure	
- Passage de l'appareil au mode opératoire	Voir Fig. J1, J2, J3
- Tonte de bordure	Voir Fig. K
Commande d'alimentation du fil -Remarque : Appuyer le cas échéant.	Voir Fig. L
Alimentation manuelle du cordon	Voir Fig. M
Remplacement du cordon de tonte et de la bobine	Voir Fig. N1, N2, N3
Bobinage manuel du cordon de tonte	Voir Fig. O1, O2, O3, O4
Support de bobine (pour le modèle WG163.3, WG163.5 seulement) Remarque : Permet de stocker une bobine de rechange sur l'outil.	Voir Fig. P

INSTRUCTIONS DE CORDON ALIMENTATION/BOBINAGE

1. SYSTÈME AUTOMATIQUE D'ALIMENTATION DU CORDON DE COUPE

Lorsqu'initialement vous démarrez le taille-bordure, une petite longueur de cordon de coupe est alimentée vers l'extérieur. Chaque fois que les outils sont mis en route après avoir été inactifs, le fil du coupe-herbe avancera d'environ 0.25 de pouce.

Un bruit de « clappement » va être entendu pour un court laps de temps. Cela est normal et est causé par le cordon de coupe en train d'être coupé par le coupeur de cordon de coupe. Une fois que le cordon de coupe est coupé à la bonne longueur, le bruit de clappement va cesser et le moteur du taille-bordure va tourner à pleine vitesse.

Si le bruit de la ligne de découpe ne peut se fait entendre pendant la découpe, ajoutez davantage de ligne.

Pour donner plus de cordon de coupe, arrêtez complètement le taille-bordure, puis redémarrez, permettant au moteur d'atteindre sa pleine vitesse. Répétez cela jusqu'à ce que vous entendiez le bruit de « clappement » du coupage du cordon de coupe.



2. (Voir Fig. L)

2. Votre coupe-bordure est pourvu d'un système de commande d'alimentation. Pour alimenter efficacement la ligne, il suffit d'appuyer sur le bouton de commande d'alimentation lorsque la machine est en marche jusqu'à ce que vous entendiez le bruit de « cliquetis » caractéristique de la ligne de coupe.

Le moteur s'éteint en appuyant sur le bouton de commande d'alimentation et redémarrera en relâchant le bouton. Durant ce processus, le fil se déroulera automatiquement pour allonger le fil de coupe.

3. ALIMENTATION MANUELLE DU CORDON DE COUPE (Voir Fig. M)

Mettez le coupe-herbe à l'arrêt et retirez la batterie.

En cas de besoin, la ligne peut être ajustée manuellement. Pressez et relâchez le bouton d'alimentation manuelle du cordon de coupe, tout en tirant doucement sur le cordon de coupe jusqu'à ce qu'il atteigne le coupeur de cordon de coupe. Si le cordon de coupe dépasse le coupeur de cordon de coupe, trop de cordon de coupe a été sorti. Si trop de cordon de coupe est sorti, enlevez le couvercle de la bobine et cliquez la bobine en sens inverse des aiguilles d'une montre, jusqu'à ce que le cordon de coupe soit à la longueur désirée.

4. BOBINAGE MANUEL DU CORDON DE TONTE (Voir Fig. O1, O2, O3, O4)

Prenez approximativement 10 pieds (3 m) de cordon de coupe. Insérez 5/8 po. (15 mm) de cordon de coupe dans les trous de la bobine et enroulez le cordon de coupe dans la direction des flèches

indiquée sur le dessus de la bobine.
Laissez approximativement 4 po. (100 mm) de cordon de coupe et placez-le dans le serre-cordon. Assurez-vous que le cordon de coupe est bobiné avec soins sur la bobine. Un manque à faire cela va altérer l'efficacité du fournisseur automatique de cordon de coupe.
Ensuite, ajustez la bobine telle que l'illustrent les fig. N1, N2 et N3.

ENTRETIEN

Après chaque utilisation, déconnectez la batterie de l'appareil et évaluez les dommages.
Votre outil électrique ne requiert pas de lubrification supplémentaire ou entretien. À l'intérieur de votre outil électrique, il n'y a pas de pièces qui peuvent être entretenues par l'utilisateur. Ne jamais utiliser d'eau ou des nettoyeurs chimiques pour nettoyer votre outil. Nettoyez à propre avec un linge sec. Toujours entreposer votre outil électrique dans un endroit sec hors d'atteinte des enfants. Gardez les fentes de ventilation du moteur propres. Gardez tous les contrôles de l'appareil libres de poussière.

POUR LES OUTILS DE LA BATTERIE

La plage de température ambiante pour l'utilisation et le stockage de l'outil et de la batterie est 0° C à 45° C.

La plage de température ambiante recommandée pour le système de charge pendant la charge est de 0° C à 40° C.

DÉPANNAGE

Le tableau suivant décrit les vérifications et les interventions que vous pouvez effectuer si votre appareil ne fonctionne pas correctement. Si par ces actions vous ne parvenez pas à identifier et régler le problème, consultez un agent de soutien à la clientèle, contactez le centre d'assistance aux consommateurs WORX au 1-866-354-WORX.



AVERTISSEMENT! Éteindre l'appareil et retirer la batterie avant toute tentative de réparation.

Problème	Causes possibles	Mesures correctives
Appareil ne se mettant pas en marche.	Batterie déchargée. Batterie trop chaude/froide. Moteur brisé. Filage interne de l'appareil endommagé.	Recharger batterie; Référez-vous également au manuel d'utilisation de la chargeur. Laisser la batterie se refroidir ou se réchauffer. Consulter un agent de soutien technique. Consulter un agent de soutien technique.
Appareil fonctionnant par intermitence.	Moteur brisé. Batterie partiellement déchargée. Interrupteur Marche/Arrêt défectueux.	Consulter un agent de soutien technique. Recharger batterie. Consulter un agent de soutien technique.
Vibrations/bruits excessifs	Appareil défectueux. Bobine du fil coupant est mal enroul.	Consulter un agent de soutien technique. Rebobiner le fil. Voir "BOBINAGE MANUEL DU CORDON DE TONTE" (Fig. O1, O2, O3, O4).
Le délai de coupe par charge de batterie est trop court.	Batterie inutilisée pour une longue période ou chargée dans une période trop courte. Herbe trop longue. Batterie défectueuse.	Recharger batterie; Référez-vous également au manuel d'utilisation de la chargeur. Couper en plusieurs étapes. Remplacer la batterie.
Appareil ne coupant pas.	Fil brisé. Batterie partiellement déchargée. Moteur brisé.(régime moteur trop bas). Tiges d'herbe entremêlées autour de la tête coupante.	Remplacez la ligne. Recharger batterie; Référez-vous également au manuel d'utilisation de la chargeur. Consulter un agent de soutien technique. Retirer les herbes.
Voyant lumineux de la batterie ne s'éteignant pas. Impossible de charger la batterie.	Batterie mal mise. Vert-de-gris sur les contacts batterie. Batterie défectueuse.	Remettre correctement la batterie dans son chargeur. Nettoyer les contacts batterie ou remplacer la batterie. Remplacer la batterie.

Indicateur de charge de la batterie ne s'allumant pas.	La prise du chargeur batterie n'est pas branchée. Socle à verrouillage, câbles principaux ou chargeur batterie défectueux.	Insérer (à fond) la prise principale dans le socle à verrouillage. Vérifier la tension des câbles d'alimentation principale; faites vérifier le chargeur de batterie par un agent autorisé de soutien technique après-vente.
La commande d'alimentation ne fonctionne pas	Le fil de coupe n'est pas enroulé correctement. Le fil est mêlé. Le fil est usé.	Enrouler le fil manuellement, s'il ne se déroule toujours pas, retirer la bobine et le rebobiner. Remplacer par une nouvelle bobine de fil.

SEGURIDAD DEL PRODUCTO



ADVERTENCIA: Este producto puede exponerlo a químicos que incluyen plomo, ftalato, o bisfenol A que se sabe en el Estado de California que causan cáncer, defectos de nacimiento u otros daños reproductivos. Lave sus manos después de usarlo. Para más información visite www.P65Warnings.ca.gov.

INSTRUCCIONES DE SEGURIDAD



ADVERTENCIA: ¡ADVERTENCIA! Lea y comprenda todas las instrucciones. El no seguir todas las instrucciones a continuación puede ocasionar descargas eléctricas, incendios y/o heridas graves.

PARA TODAS LAS HERRAMIENTAS

- 1) Evite ambientes peligrosos. No utilice las herramientas en lugares húmedos o mojados.
- 2) No trabaje bajo la lluvia.
- 3) Mantenga alejados a los niños. Todos los visitantes deben mantenerse a distancia del área de trabajo.
- 4) Vístase apropiadamente. No use ropas sueltas o alhajas, ya que pueden quedar atrapadas en las piezas móviles. Cuando se trabaja al aire libre se recomienda el uso de guantes de goma y calzado resistente. Emplee protección adecuada para contener el cabello largo.
- 5) Utilice gafas de seguridad. Emplee siempre máscara para la cara o máscara anti-polvo en operaciones donde se emite mucho polvo.
- 6) Utilice la herramienta correcta. Emplee la herramienta únicamente para la finalidad para la cual fue diseñada.
- 7) No fuerce la herramienta. Hará un trabajo mejor y más seguro a la velocidad para la cual fue diseñada.
- 8) No se extralimite. Manténgase firme y con buen equilibrio en todo momento.
- 9) Permanezca alerta. Ponga siempre atención en lo que está haciendo. Utilice el sentido común. No opere la herramienta cuando esté cansado.
- 10) Guarde las herramientas que no usa en lugares cerrados. Cuando no se encuentran en uso, las herramientas deben guardarse en un lugar seco, elevado o cerrado con llave, lejos del alcance de los niños.
- 11) Mantenga la herramienta con cuidado. Conserve los bordes cortantes limpios y bien afilados, a fin de obtener el mejor rendimiento y reducir los riesgos de lesiones. Siga las instrucciones para la lubricación y el cambio de accesorios. Mantenga los mangos secos, limpios y libres de aceite y grasa.
- 12) Verifique las piezas dañadas. Las guardas protectoras u otras partes dañadas deben verificarse cuidadosamente antes de cualquier uso futuro de la herramienta, a fin de determinar si funcionarán correctamente y realizarán la función prevista. Compruebe que

las piezas móviles se encuentren alineadas y correctamente ajustadas, que no haya rotura de piezas, de montaje o cualquier otra condición que pueda afectar su funcionamiento. Una guarda protectora u otra pieza que se encuentre dañada debe ser reparada o sustituida correctamente en un centro de servicio autorizado, a menos que en este manual de instrucciones se indique lo contrario.

ADVERTENCIAS DE SEGURIDAD PARA LAS HERRAMIENTAS DE JARDINERÍA A BATERÍA

1. Evite el encendido inadvertido. Asegúrese que el interruptor esté en la posición de apagado antes de conectar el paquete de batería, al levantar o transportar el aparato. Transportar el aparato con su dedo sobre el interruptor o energizar el aparato que tenga el interruptor encendido provoca accidentes.
2. Desconecte el paquete de batería del aparato antes de realizar cualquier ajuste, cambiar los accesorios, o guardar el aparato. Tales medidas preventivas de seguridad reducen el riesgo de encender el aparato por accidente.
3. Recargue únicamente con el cargador especificado por WORX. Un cargador que es adecuado para un tipo de paquete de batería puede crear un riesgo de incendio cuando se usa con otro paquete de batería.
4. Use los electrodomésticos sólo con paquetes de baterías específicamente diseñados. El uso de cualquier otro paquete de baterías puede crear un riesgo de lesiones e incendios.
5. Cuando la batería no esté en uso, manténgala alejada de otros objetos metálicos, como sujetadores de papel, monedas, llaves, clavos, tornillos u otros objetos metálicos pequeños, que puedan establecer una conexión de una terminal a otra. Poner en corto las terminales de la batería puede causar quemaduras o un incendio.
6. Bajo condiciones de abuso, puede expulsarse líquido de la batería; evite el contacto. Si ocurre contacto accidentalmente, lave con agua. Si el líquido entra en contacto con los ojos, busque ayuda médica adicional. El líquido expulsado de la batería puede causar irritación o quemaduras.
7. No use un paquete de batería o aparato dañado o modificado. Las baterías dañadas o modificadas pueden presentar un comportamiento impredecible que puede provocar un incendio, una explosión o un riesgo de lesiones.
8. No exponga la batería o el artefacto al fuego ni a temperaturas excesivas. La exposición al fuego o la temperatura por encima de 130°C pueden causar una explosión.
9. Siga todas las instrucciones de carga y no cargue la batería o el dispositivo fuera del rango de temperatura especificado en las instrucciones. La carga incorrecta o a temperaturas fuera del rango especificado puede dañar la batería y aumentar el riesgo de incendio.

10. Pida que una persona de reparación calificada dé servicio usando únicamente partes de reemplazo idénticas. Esto garantizará que se mantenga la seguridad del producto.
11. No modifique ni intente reparar el aparato o el paquete de baterías (conforme sea aplicable), excepto como se indica en las instrucciones de uso y cuidado.

INSTRUCCIONES DE SEGURIDAD ADICIONALES PARA LA CORTADORA DE CÉSPED

1. Mantenga las guardas en su ubicación y en condiciones de funcionamiento.
2. Mantenga las manos y pies alejados del área de corte.
3. No utilice líneas más gruesas que las recomendadas en este manual.
4. No utilice materiales de línea de otro tipo, como cable de metal, cuerda o elemento similar.

ADVERTENCIAS DE SEGURIDAD GENERAL PARA EL PAQUETE DE BATERÍA









- a) No desensamble, abra o triture el paquete de batería.**
- b) No exponga el paquete de batería a calor o fuego. Evite guardar a la luz directa del sol.**
- c) No ponga en corto circuito el paquete de batería. No guarde el paquete de batería de forma aleatoria en una caja o cajón donde puedan ponerse en corto circuito entre sí o ponerse en corto circuito por otros objetos metálicos.** Cuando el paquete de batería no esté en uso, manténgalo alejado de otros objetos metálicos, como sujetadores de papel, monedas, llaves, clavos, tornillos u otros objetos metálicos pequeños que puedan establecer una conexión de una terminal a otra. El corto circuito de las terminales de la batería puede causar quemaduras o incendios.
- d) No retire el paquete de la batería de su empaque original hasta que se requiera para el uso.**
- e) No someta el paquete de batería a impacto mecánico.**
- f) En el caso de fuga de la batería, no permita que el líquido entre en contacto con la piel o los ojos. Si hay contacto, lave el área afectada con bastante agua y busque atención médica.**
- g) Observe las marcas positiva (+) y negativa (-) en la parte posterior de la batería y el equipo para asegurar su uso correcto.**
- h) No use ningún paquete de batería que no esté diseñado para uso con el equipo.**
- i) Mantenga el paquete de batería fuera del alcance de los niños.**
- j) Busque atención médica de inmediato si se ingiere una celda o una batería.**
- k) Siempre adquiera el paquete de batería recomendado por el fabricante del dispositivo para el equipo.**
- l) Mantenga el paquete de batería limpio y**

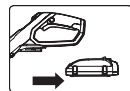
seco.

- m) Limpie las terminales del paquete de batería con una tela seca limpia su se ensucian.**
- n) El paquete de batería se necesita cargar antes del uso. Siempre use el cargador correcto y consulte las instrucciones del fabricante o el manual del equipo para saber las instrucciones correctas de carga.**
- o) No deje el paquete de batería en carga prolongada cuando no esté en uso.**
- p) Después de periodos prolongados de almacenamiento, puede ser necesario cargar y descargar el paquete de batería varias veces para obtener el desempeño máximo.**
- q) El paquete de batería proporciona su mejor desempeño cuando se opera en temperatura ambiente normal (68°F ± 9°F).**
- r) Cuando deseche los paquetes de batería, mantenga los paquetes de batería de diferentes sistemas electromecánicos separados entre sí.**
- s) Recargue únicamente con el cargador especificado por WORX. No use cargadores que no sean los específicamente suministrados para uso con el equipo.**
Un cargador que es adecuado para un tipo de paquete de batería puede crear un riesgo de incendio cuando se usa con otro paquete de batería.
- t) Conserve la literatura el producto original para referencia futura.**
- u) Sólo use el paquete de batería en la aplicación para la que está diseñado.**
- v) Retire el paquete de batería del equipo cuando no esté en uso.**
- w) Deséchelo adecuadamente.**

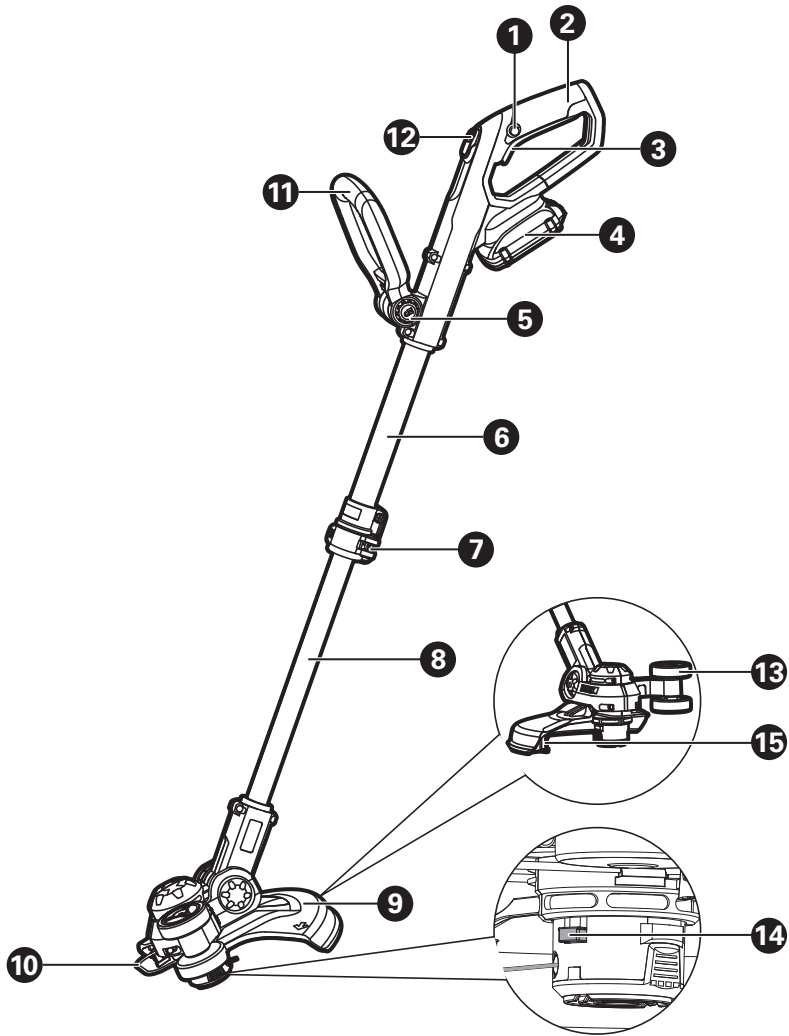
CONSERVE ESTAS INSTRUCCIONES

SÍMBOLOS

	Para reducir el riesgo de lesiones, el usuario deberá leer el manual de instrucciones
	Emplee protección auditiva
	Use lentes de seguridad
	No arrojar al fuego
	No exponer a la lluvia ni al agua.
 Li-Ion	Batería de iones de litio. Recolección por separado. La batería deberá reciclarse.
	call2recycle® POSITEC Inc. ha establecido una asociación con la empresa RBRC para el reciclaje de todas las baterías Positec que posean el sello RBRC-call2recycle. Para contribuir con la protección del medio ambiente, no deseche las baterías como residuos normales. Después de que haya finalizado el ciclo de vida útil de la batería, comuníquese al 1-800-822-8837 para acceder al servicio gratuito.
	Bordeado
	Desmalezado
	Bloqueo
	Desbloqueo



Asegúrese de extraer la batería antes de cambiar los accesorios.



1. BOTÓN DE BLOQUEO DE APAGADO
2. MANGO TRASERO
3. INTERRUPTOR DE ENCENDIDO/APAGADO
4. PAQUETE DE BATERÍA *
5. BOTÓN DE BLOQUEO DE MANIJA
6. EJE SUPERIOR
7. COLLAR DE BLOQUEO
8. EJE INFERIOR
9. GUARDA PROTECTORA DE SEGURIDAD
10. GUARDA PARA FLORES
11. MANGO AUXILIAR
12. BOTÓN DE ALIMENTACIÓN AUTOMÁTICA
13. RUEDA BORDEADORA
14. BOTÓN DE ABASTECIMIENTO DEL HILO
15. CUCHILLA DEL HILO

*No todos los accesorios ilustrados o descritos se incluyen junto con el producto estándar.

DATOS TÉCNICOS

	WG163	WG163.1	WG163.2	WG163.3	WG163.4	WG163.5	WG163.9	WG180	WG180.9	
Voltaje nominal	20V === MAX.*						40V === MAX.**			
Velocidad nominal sin carga	7600/min									
Diámetro de Corte	12pulg. (30cm)									
Diámetro del Hilo	0.065pulg. (1.65mm)									
Tiempo Normal de Carga	5hrs		6-7hrs aprox.		/		8hrs		/	
Peso de la máquina	5.3lbs (2.4kg)				4.6lbs (2.1kg)		5.9lbs (2.7kg)		4.6lbs (2.1kg)	

*Voltaje medido sin carga de trabajo. El voltaje inicial de la batería alcanza un máximo de 20 V. El voltaje nominal es 18 V.

** Voltaje medido sin carga de trabajo. El voltaje inicial de la batería alcanza un máximo de 40 V. El voltaje nominal es 36 V.

ACCESORIOS

	WG163	WG163.1	WG163.2	WG163.3	WG163.4	WG163.5	WG163.9	WG180	WG180.9
Guarda protectora de seguridad	1	1	1	1	1	1	1	1	1
Guarda para flores	1	1	1	1	1	1	1	1	1
Cargador	1(WA3742)	1(WA3742)	1(WA3742)	1(WA3742)	1(WA3875)	1(WA3742)	/	1(WA3747)	/
Batería	2(WA3525)	2(WA3525)	1(WA3575)	2(WA3525)	3(WA3525)	2(WA3577)	/	1(WA3580)	/
Rueda bordeadora	1	1	1	1	1	1	1	1	1
Bobina (WA0004)	1	6	1	1	1	2	1	1	1
Montaje de Pared (WA0138)	/	/	/	1	/	/	/	/	/
Soporte de carrete (WA0044)	/	/	/	1	/	1	/	/	/


Sólo utilice los accesorios apropiados diseñados para esta herramienta. Puede encontrar información sobre los accesorios en el embalaje del producto, consultando a un distribuidor de WORX o en nuestro sitio Web: www.worx.com.



ADVERTENCIA: cualquier otro accesorio o conexión puede incrementar el riesgo de lesiones.

2 en 1 Cortadora de césped/Ribeteadora ES

ENSAMBLE & FUNCIONAMIENTO

ACCIÓN	FIGURA
ENSAMBLE	
Armado de la guarda de seguridad	Consulte la Figura A1, A2
Montaje de rueda de bordeadora	Consulte la Figura B
Instalación y extracción de la batería	Consulte la Figura C
Carga de la batería Se pueden encontrar más detalles en el manual del cargador	Consulte la Figura D1, D2, D3
 ADVERTENCIA: Tanto el cargador como el pack de batería están diseñados para operar conjuntamente, de modo que no debe utilizarse ningún otro dispositivo. Nunca inserte objetos metálicos en las conexiones del cargador o del pack de batería, pues incurriría en peligro de avería eléctrica.	
FUNCIONAMIENTO	
Llave de encendido/apagado de seguridad	Consulte la Figura E
Desmalezado	
- Ajuste del eje	Consulte la Figura F
- Ajuste del cabezal de la cortadora de césped	Consulte la Figura G1, G2
- Ajuste del mango auxiliar	Consulte la Figura H
- Desmalezado	Consulte la Figura I1
- Uso de protección de flores	Consulte la Figura I2
Bordeado	
- Cambio de la herramienta a modo de bordeado	Consulte la Figura J1, J2, J3
- Bordeado	Consulte la Figura K
Abastecimiento automático del hilo -Nota: Presione conforme se necesite.	Consulte la Figura L
Alimentación manual de la línea	Consulte la Figura M

Reemplazo de la línea y bobina de la bordeadora	Consulte la Figura N1, N2, N3
Bobinado manual de la línea	Consulte la Figura O1, O2, O3, O4
Soporte de carrete (sólo para el modelo WG163.3, WG163.5) Nota: Permite que se guarde un carrete adicional en la herramienta.	Consulte la Figura P

INSTRUCCIONES DE ABASTECIMIENTO/BOBINADO DE LA LÍNEA

1. SISTEMA AUTOMÁTICO DE ABASTECIMIENTO DEL HILO

Cuando se enciende la cortadora se abastece una pequeña longitud de hilo. Cada vez que se arranque la herramienta desde la posición de reposo, avanzará aproximadamente 0.25 pulgadas en la línea de la bordeadora.

Se escuchará un golpeteo durante unos segundos.

Esto es normal y se produce cuando la cuchilla corta el hilo. Una vez que el hilo ha sido cortado a la longitud correcta, el golpeteo se detendrá y el motor de la bordeadora alcanzará la velocidad máxima.

Si el ruido de la línea de corte no se puede escuchar, se necesitará alimentar más línea.

Para abastecer mayor longitud de hilo, detenga completamente la máquina y luego vuelva a arrancarla, dejando que el motor alcance la máxima velocidad.

Reitere esta operación hasta escuchar el golpeteo producido por el corte del hilo.



2. (Consulte la Figura. L)

La cortadora de césped posee un sistema de alimentación automática. Para alimentar eficientemente la línea, sólo presione el botón de comando de alimentación mientras la máquina está funcionando hasta que escuche el ruido de 'repiqueteo' del corte de la línea.

El motor se apagará al presionar el botón de alimentación automática y se reiniciará al soltar el botón. Durante este proceso, se alimentará automáticamente hilo adicional para el corte.

3. ALIMENTACIÓN MANUAL DE LA LÍNEA (Consulte la Figura M)

Apague la podadora y extraiga la batería. Si se requiere, la línea se puede alimentar manualmente. Presione y afloje el botón de abastecimiento manual de hilo mientras tira suavemente de los hilos hasta que estos lleguen a la cuchilla. Si la línea se extiende más allá del cortador de línea, se alimentó demasiada línea. En tal caso, retire la tapa de la

bobina y mueva la bobina en sentido counter-horario hasta lograr la longitud de hilo deseada.

4. BOBINADO MANUAL DE LA LÍNEA (Consulte la Figura 01, 02, 03, 04)

Tome aproximadamente 3 metros de hilo e inserte 15 mm dentro de uno de los orificios de la parte superior de la bobina. Enrolle el hilo en la dirección de las flechas sobre la parte superior de la bobina. Siempre enrolle 4 pulgadas (100mm) el hilo comenzando por la parte superior de la bobina. Debe ponerse especial cuidado en asegurarse de que el hilo esté prolijamente enrollado alrededor de la bobina. De lo contrario, se deteriorará la eficiencia del abastecimiento automático de hilo. Después coloque el carrete como se muestra en la Fig. N1, N2, N3.

MANTENIMIENTO

Después de usar, desconecte la batería de la herramienta y revise si hay daño

Su herramienta eléctrica no requiere de lubricación ni mantenimiento adicional. No posee piezas en su interior que puedan ser reparadas por el usuario.

Las cortadoras eléctricas deben ser reparadas exclusivamente por personal autorizado. Utilice repuestos y accesorios recomendados únicamente por el fabricante. Nunca emplee agua o productos químicos para limpiar su herramienta. Use simplemente un paño seco. Guarde siempre su herramienta en un lugar seco y fuera del alcance de los niños. Guarde siempre su herramienta en un lugar seco y fuera del alcance de los niños. Mantenga todos los controles de funcionamiento libres de polvo.

PARA HERRAMIENTAS DE BATERÍA

El rango de temperatura ambiente para uso y almacenamiento de la herramienta y la batería es de 0°C-45°C.

El rango de temperatura ambiente recomendado para el sistema de carga durante la carga es de 0°C-40°C.

SOLUCIÓN DE PROBLEMAS

La siguiente tabla incluye comprobaciones y acciones que puede realizar si la herramienta no funciona de forma correcta. Si éstas no identifican y corrigen el problema, póngase en contacto con el servicio de atención al cliente de WORX al 1-866-354-WORX.



ADVERTENCIA: Apague la herramienta y extraiga la batería antes de efectuar la resolución de problemas.

Problemas	Posibles causas	Acción correctiva
La podadora no funciona.	Batería descargada. Batería demasiado caliente/fría. Motor dañado. Cableado interno de la herramienta dañado.	Vuelva a cargar la batería; además vea el contenido del manual del cargador. Espere a que la batería se enfríe/caliente. Póngase en contacto con un agente de servicio técnico. Póngase en contacto con un agente de servicio técnico.
La podadora funciona de forma intermitente.	Motor dañado. Batería no cargada totalmente. Interruptor de encendido/apagado dañado.	Póngase en contacto con un agente de servicio técnico. Vuelva a cargar la batería. Póngase en contacto con un agente de servicio técnico.
Vibraciones/ ruidos excesivos.	Herramienta defectuosa. Bobina de línea no bobinada de forma correcta.	Póngase en contacto con un agente de servicio técnico. Rebobine la línea. Consulte "BOBINADO MANUAL DE LA LÍNEA" (Figura. O1, O2, O3, O4).
El tiempo de corte por carga de la batería es demasiado bajo.	No se utilizó la batería durante un período de tiempo extenso o se la cargó sólo durante poco tiempo. Césped demasiado alto. Batería defectuosa.	Vuelva a cargar la batería; además vea el contenido del manual del cargador. Realice el corte por etapas. Reemplace la batería.
La herramienta no corta.	Línea dañada. Batería no cargada totalmente. Motor dañado. (velocidad demasiado lenta). Césped enredado alrededor del cabezal de corte.	Reemplace la línea. Vuelva a cargar la batería; además vea el contenido del manual del cargador. Póngase en contacto con un agente de servicio técnico. Extraiga el césped.
Encendido continuo del indicador de carga de la batería. No es posible efectuar el procedimiento de carga.	Batería no colocada (de forma correcta). Contactos de la batería sucios. Batería defectuosa.	Coloque correctamente la batería en el cargador de baterías. Limpie los contactos de la batería ó reemplace la batería. Reemplace la batería.

<p>El indicador de carga de la batería 18 no se enciende.</p>	<p>Cargador de baterías no enchufado(de forma correcta). Tomacorriente, cable de alimentación o cargador de baterías dañado.</p>	<p>Inserte el enchufe (por completo) en el tomacorriente. Compruebe la tensión de la alimentación. Haga revisar el cargador de baterías por un agente de postventa autorizado.</p>
<p>La alimentación automática no funciona.</p>	<p>Bobina de línea no bobinada de forma correcta. Línea enredada. La línea se encuentra agotada.</p>	<p>Alimente manualmente la línea. Si continúa sin poder realizarse la alimentación, extraiga la bobina y rebobine la línea. Reemplace por una nueva bobina de línea.</p>

WORX
it's your nature

www.worx.com

Copyright © 2018, Positec. All Rights Reserved.

Copyright © 2018, Positec. Tous droits réservés.

© Derechos reservados 2018, Positec. Todos los derechos reservados.

AR01262007